

ASSEMBLY INSTRUCTIONS UPTON LADDER BACK CHAR

IMPORTANT : READ THESE INSTRUCTIONS CAREFULLY BEFORE ASSEMBLING YOUR CHAIR.

PLEASE KEEP THESE INSTRUCTIONS FOR FUTURE REFERENCE.

HEALTH & SAFETY :

DO NOT use this item if any parts are missing, damaged or worn.

DO NOT use this item unless all fixings are secured.

Please keep small parts out of reach of children.

Always use on a level, even surface.

CARE & MAINTENANCE :

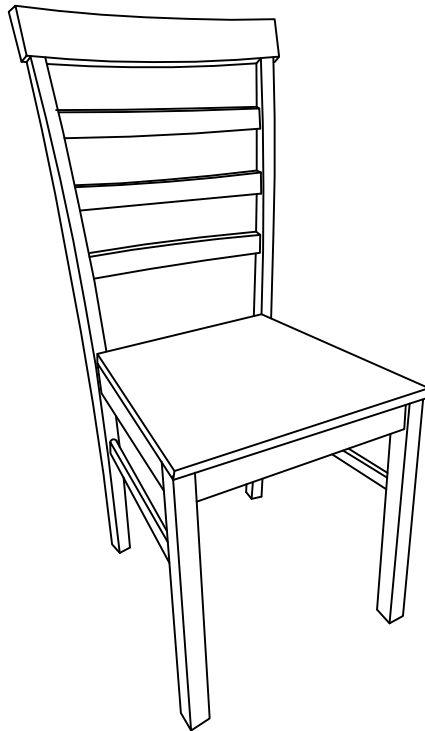
Assemble in the room of use.

Periodically check all screws & fixings to ensure they are secure.

DO NOT push the item as this will damage the legs.

Always lift the item with two people to reposition.

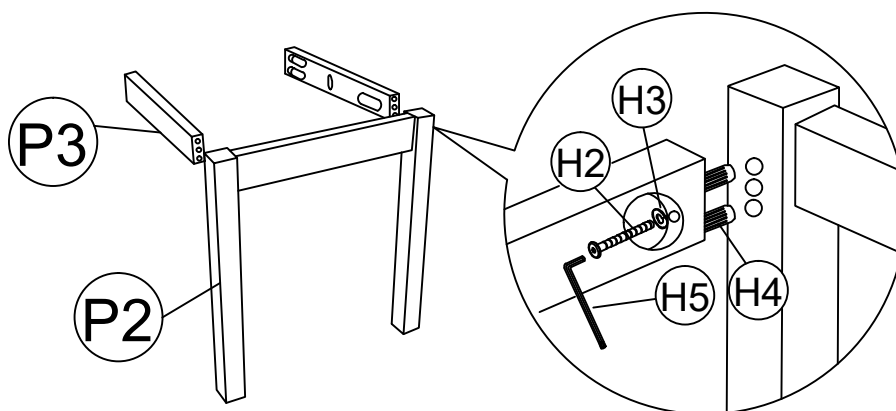
Keep any sharp objects away from the item.



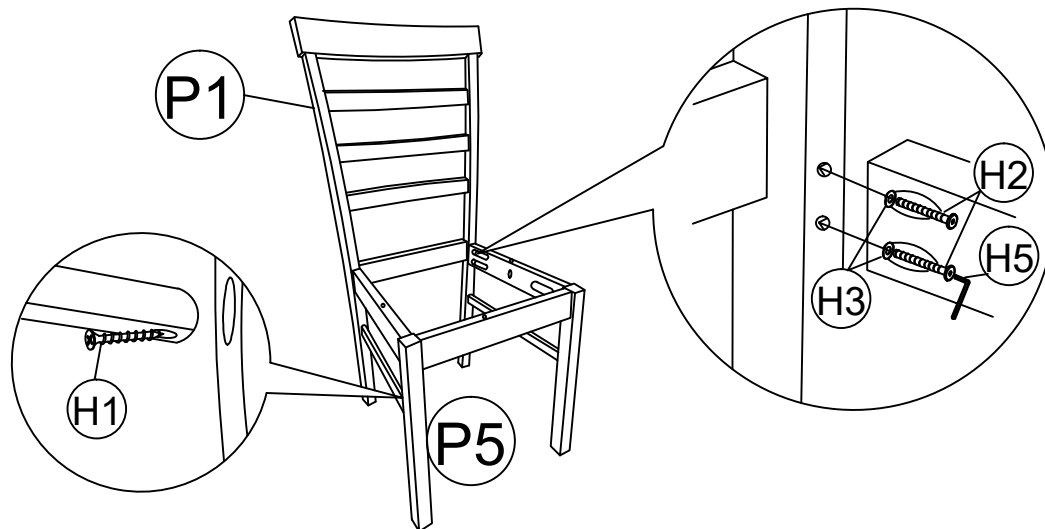
PAIR OF DINING CHAIRS

Parts List				Hardware List		
Part	Description	Box	Qty	Part	Description	Qty
P1	Chair Back	1	2	H1	Wood Screw 	14
P2	Front Leg	1	2	H2	JCBC M6 X 40mm 	12
P3	Apron	1	4	H3	Spring Washer 	12
P4	Seat	1	2	H4	Wooden Dowel 	8
P5	STRETCHERS	1	4	H5	Allen Key 	1

Step 1 : Attach the aprons (P3) to the front leg (P2) using hardware parts H2, H3, H4 and H5
DO NOT use any power tools as this may damage the frame and will invalidate any claim



Step 2 : Attach the chair backs (P1) and cross bars (P5) using hardware parts H1, H2, H3 and H5
DO NOT use any power tools as this may damage the frame and will invalidate any claim



Step 1 : Attach the seats (P4) using hardware parts H1 and a screwdriver (not provided)
DO NOT use any power tools as this may damage the frame and will invalidate any claim

