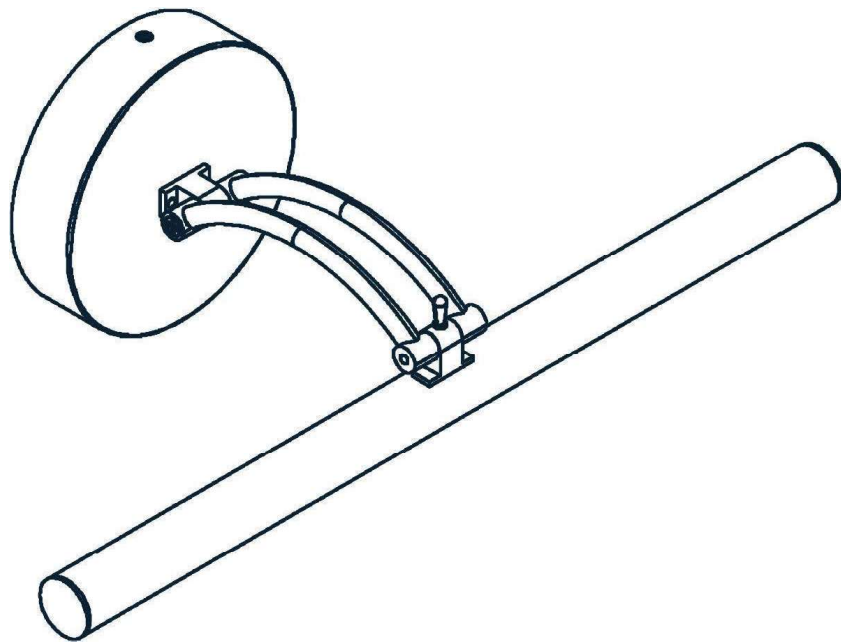


MODERN HARD WIRED LED WALL LIGHTS

Installation Instruction



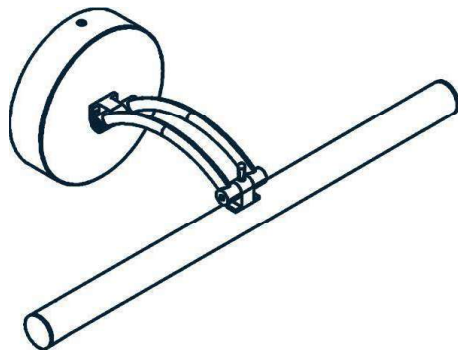


SAFETY TIPS! WARNING!

- * Please read and follow the installation instructions.
- * Do not connect electricity until your fixture is fully assembled.
- * To reduce the risk of fire, electrical shock, or personal injury, please turn off and unplug fixture.
- * Installation is to be carried out by a qualified person carefully.
- * Please do not presume to retrofit or replace fittings to avoid damaging light or accident.
- * Keep this installation sheet for future reference.
- * Wear gloves at all time during this installation.

PRODUCT ACCESSORIES

①



①. Wall Light

②. Wall Plate

③. Wall Screws

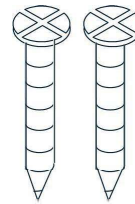
④. Electrical Wire Nuts

⑤. User Manual

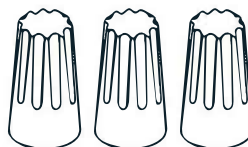
②



③



④



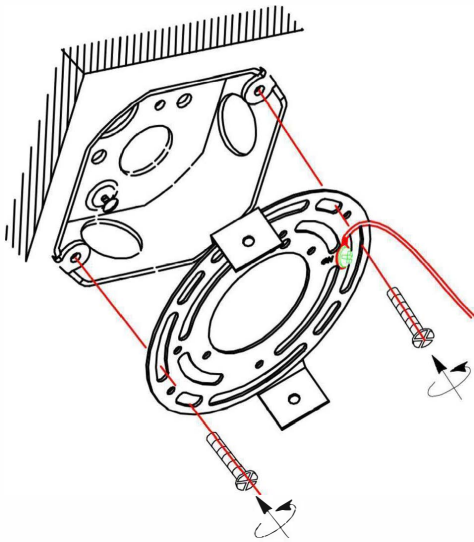
⑤



Installation Instructions

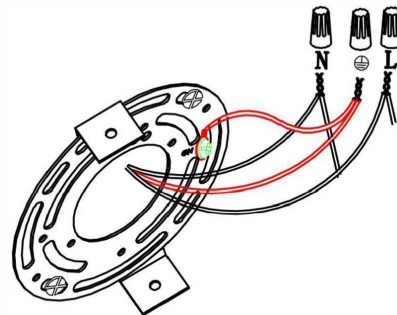
Kindly make sure the installation is operated by a professional engineer and use a voltage of 110V-120V to test whether the light can work properly.

1. Secure the wall plate to the wall electric box with the plastic wall screw Anchors and wall screws.

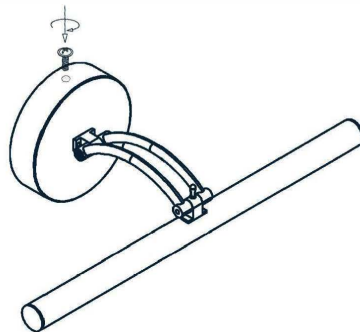


2. Connect the wires by using the Electric Wire Nuts and to make sure WHITE WIRE connects to WHITE WIRE BLACK WIRE connects to BLACK WIRE.

**NOTE: Black Wires= Live Wires
White Wires= Neutral Wires
Copper Wire =Ground Wire**



3. Finally, to fasten the base canopy to the wall plate on top and under sides with the machine screws.



FAQ

Q. Can the light source be replaceable?

A. Our light adopts built-in LED chips with a life span of up to 30,000 hours, and the light source cannot be replaceable.

Q. The lights are not working or keep flickering , what should I do?

A. Please remove the lights and check if the connected wires are loose.

Q. If I purchase a dimmable version , what should I do if the lights flicker when using a dimmer switch?

A. Our lights are compatible with 90% of the dimmer switches on the market, but there may be a few dimmers that are not compatible with our lights. Please consult us for more advice.

Q. Is there a switch on the lights?

A. There is no switch on the light to control the light, please use the switch on the wall to turn on/off the lights.

Q. Missing mounting plate , screws , or other accessories?

A. Please feel free to contact us , and we will come up with a solution as soon as possible.

*Thank
You*