


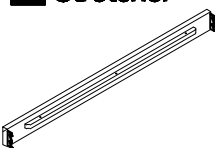
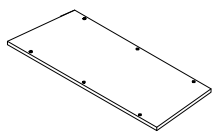
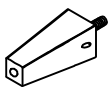
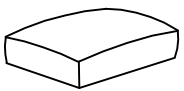




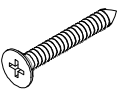

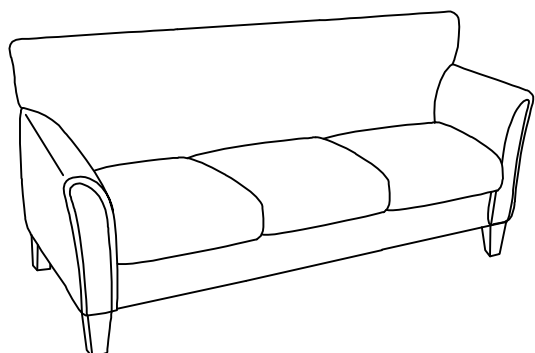


ASSEMBLY INSTRUCTION

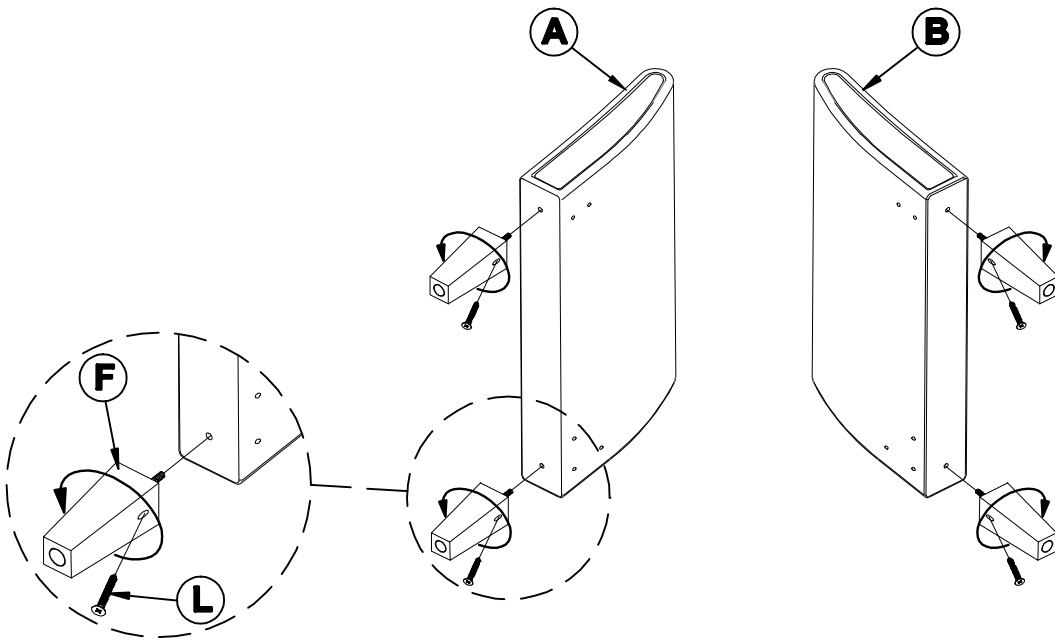
SOFA

| | | | |
|--|---|---|--|
| A Arm Frame-left  1 pc | B Arm Frame-right  1 pc | C Back Cushion  1 pc | D Stretcher  1 pc |
| E Seat Panel  1 pc | F Leg  4 pcs | G Seat Cushion  3 pcs | H JCBC Bolt 5/16" x 2"  6 pcs |
| I JCBC Bolt 5/16" x 1"  4 pcs | J Flat Washer  10 pcs | K Spring Washer  10 pcs | L Screw  10 pcs |
| M Allen Key  1 pc | | | |

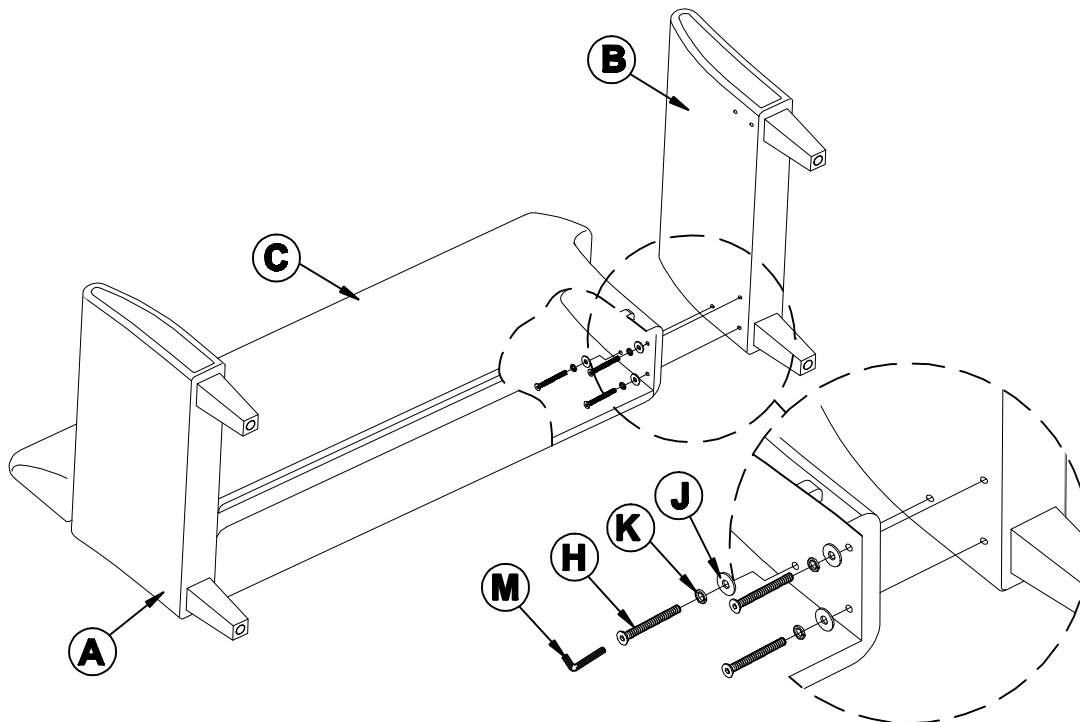
This page lists all the contents included in the box. Please take the time to identify the hardware as well as the individual components to this product. As you unpack and prepare for assembly, place the contents on a carpeted or padded area to protect them from damage.



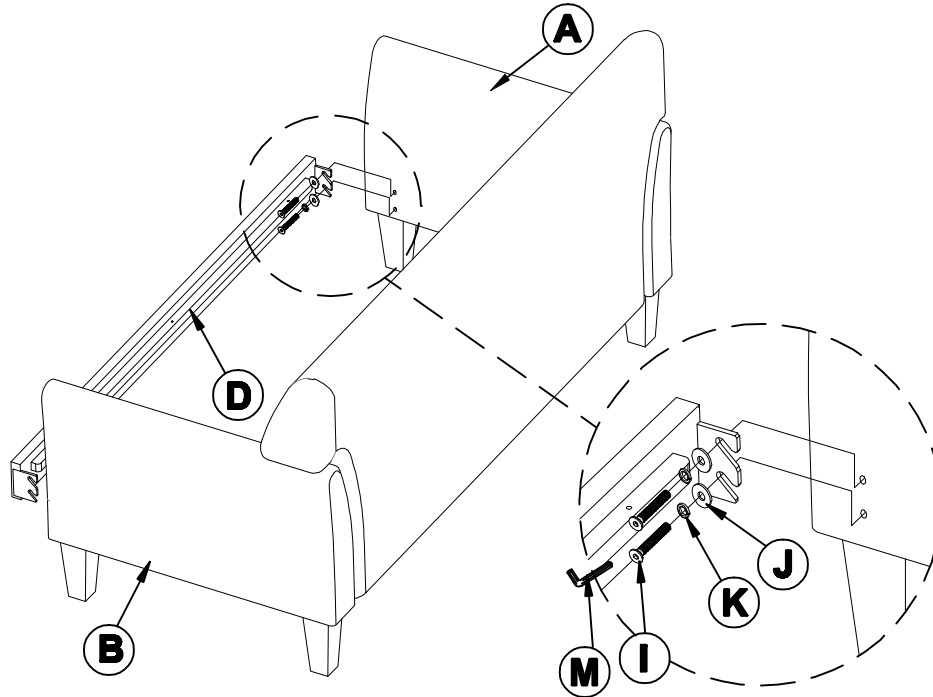
1 Start assembly Legs (F) into Arm Frame-left (A) and Arm Frame-right (B). Turn legs clockwise until tight. (Make sure the screw holes in legs facing toward inside of chair). Insert Screw (L) into designated holes and turn clockwise with screw driver (NOT INCLUDED) until tight.



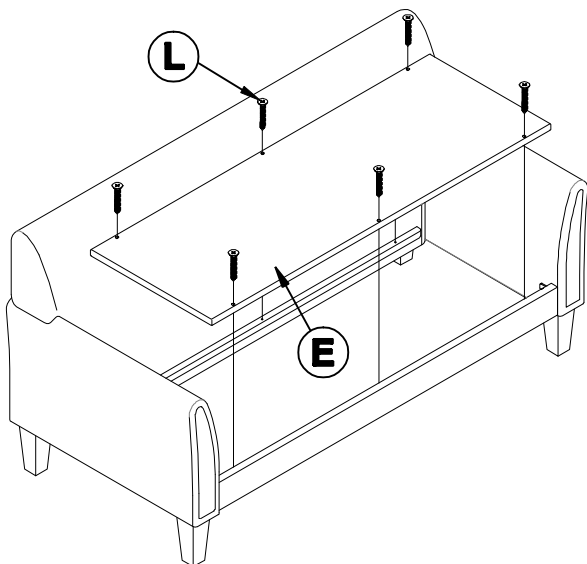
2 Attach Back Cushion (C) with Arm Frame-left (A) and Arm Frame-right (B) using JCBC Bolts (H) and Spring Washer (K) and Flat Washer (J). Turn clockwise with Allen Key (M) until 80% tight.
NOTE: LEAVE BOLTS LOOSE FOR EASY ASSEMBLY WITH FRONT STRETCHER.



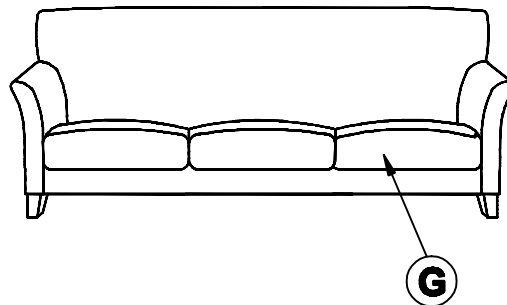
3 Insert JCBC Bolt (I) through Spring Washer (K) and Flat Washer (J) to attach the left&right side arm,turn clockwise with Allen Key (M) until 80% tight.Carefully position front Stretcher (D) over bolts as shown.Then tighten all bolts.



4 Put on Seat Panel (E) as shown,use Screw (L) to fix.



5 Put on Seat Cushions (G).



Cleaning & Care

Treat surface with care. Surface is resistant to scratches but is not scratch resistant. Clean surfaces with a dry or damp soft cloth. Do not use abrasive cleaners. Hardware may loosen over time. Periodically check that all connections are tight.

Furniture Care & Cleaning Instructions

Wood Furniture Care & Cleaning Instructions

To maintain the quality of your wood furniture, do not expose it to direct sunlight or excessive temperatures; extreme changes in humidity can cause warping. Always use coasters, pads, cloth or felt to protect the furniture surface. Use protective mats under hot dishes. Use a protective pad when writing with a pen. Lift objects rather than dragging them over the furniture surface. Blot spills immediately with a clean cloth. Dust often using a soft, clean, lint-free cloth. Avoid harsh fabrics, paper towels or disposable dusting towels as they may scratch the surface. Use a non-silicone and non-wax polish; do not use soap, water or wax.

Metal & Ceramic Furniture Care & Cleaning Instructions

To clean, wipe with a soft damp cloth. Avoid the use of chemical and abrasive cleaners. Wipe up spills immediately. For glass tops and shelves, glass cleaner may be used, but avoid spraying it onto the metal or ceramic frame.

Wicker & Woven Furniture Care & Cleaning Instructions

For daily care, simply wipe clean using a soft, dry cloth. To protect the finish, avoid the use of abrasive chemicals, harsh cleaners and rough cleaning pads and polishes. To remove lodged debris, we recommend using a vacuum with a brush attachment.

Leather Furniture Care & Cleaning Instructions

For minor spots and spills, immediately wipe with a soft white cloth dampened with distilled water and let air-dry. Do not dry with hair dryers, heaters, etc.

For spills of butter, oil or grease, wipe up any excess with a clean, dry cloth. Do not apply water or try to wash the spot. Leave spot alone. The spot should dissipate into leather after a short period of time.

To keep the leather supple and prevent fading, protect it from exposure to direct sunlight and heating vents. Dust with a clean soft cloth. Vacuum crevices regularly. Moisturize with an application of distilled water on a soft clean cloth. Do not use the following products: Saddle soap, cleaning solvents, furniture polish, oils, varnish, abrasive cleaners. In addition, refer to specific care instructions provided with your furniture piece.