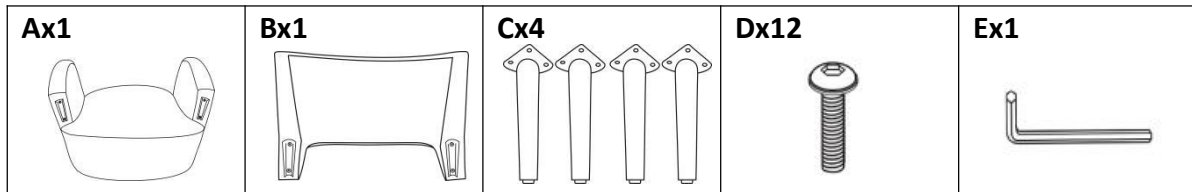
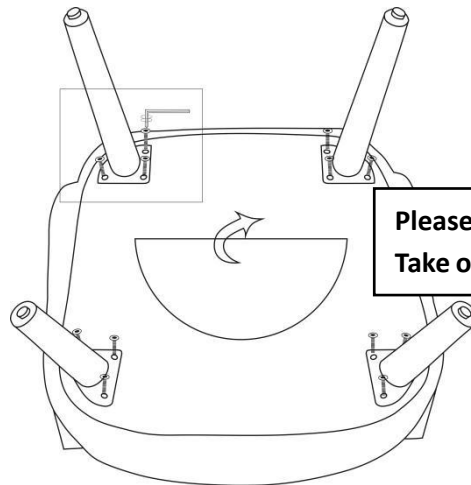


Assembly Instruction



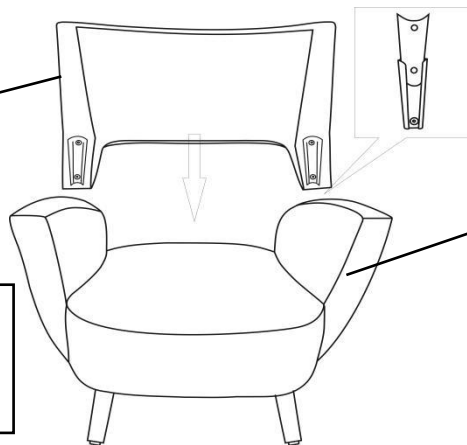
1. Install the Legs (C) into the bottom of the Chair Seat Base (A)



Please open the bottom and
Take out the legs(C).

2. As show as picture

Backrest Panel (B)



Seat Base (A)

As shown in the figure. Insert the
backrest until the backrest does not
shake.

3. Finish!

