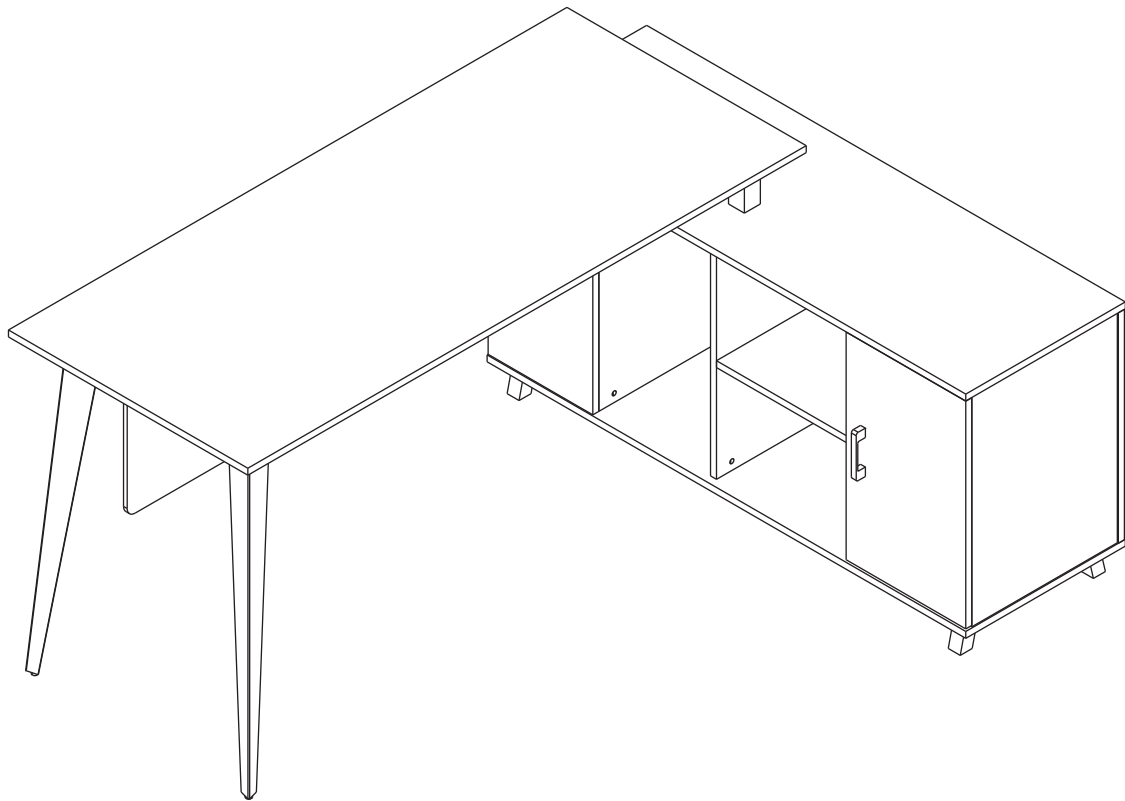


# Multifunctional Desk

---

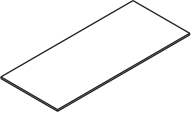
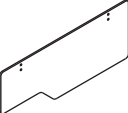
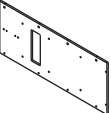


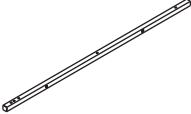
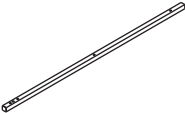
Thanks for purchasing one of our products, please read carefully the assembly instructions before the installation (Attention: Do not tighten the screws before all screws are in place).  
**THIS INSTRUCTION BOOKLET CONTAINS IMPORTANT SAFETY INFORMATION. PLEASE READ AND KEEP FOR FUTURE REFERENCE.**

---

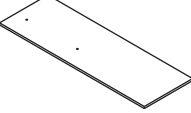
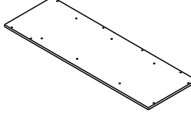
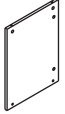

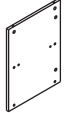
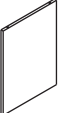
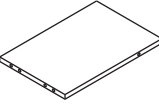
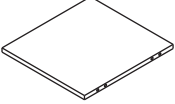
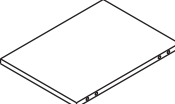
# PACKING DETAILS: TOTAL 2 BOXES


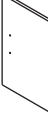
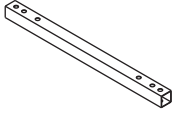
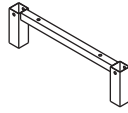

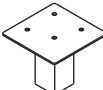
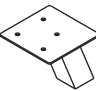

## BOX 1/2:

PART NO.	PARTS	QTY
1		X1
2		X1
5		X1

PART NO.	PARTS	QTY
15		X1
16		X1

## BOX 2/2:

PART NO.	PARTS	QTY
3		X1
4		X1
6		X1
7		X1
8		X1
9		X1
10		X1
11		X1
12		X1

PART NO.	PARTS	QTY
13		X1
14		X1
17		X1
18		X1
19		X2
20		X1
21		X4
22		X2

PART	QTY.	ITEM	
A	2	M8x35mm	
B	2	M6x50mm	
C	14	M6x40mm	
D	10	M6x35mm	
E	8	M6x30mm	
F	6	M6x12mm	
G	27	M3.5x14mm	
H	2	M4x18mm	
I	36	M6x40mm	

PART	QTY.	ITEM	
J	12	Ø8x30mm	
K	7	M6x10xH7	
L	2		
M	2	69x24x12	
N	1	320x120x22.5	
O	1	105x23x12	
P	50	Ø21	
Q	1		

### Installation of Cams and Pins :

Screw the Pin into hole. To set Cams correctly, ensure the arrow on the Cam opening to the hole of the Pin it is locking. Lock Cam by turning Cam head with screwdriver to be tighten. Please don't use an electric screwdriver to assemble the unit.

