

Lavatory Faucet

- **Sozu Collection**
- **Single Handle Lavatory Faucet**

STANDARD SPECIFICATIONS

- Low lead brass spout
- Zinc handle
- Ceramic cartridge
- 30-10/16" flexible stainless steel inlet hose with female 3/8" compression fitting
- With plastic push pop up drain
- Flow rate: 1.2 gpm Max @ 60 psi
- Finishes: PVD Brushed Nickel/Chrome /Matte Black/Oil Rubbed Bronze
- cUPC / AB1953 / EPA Watersense certified
- ADA complian

FINISHES INCLUDE

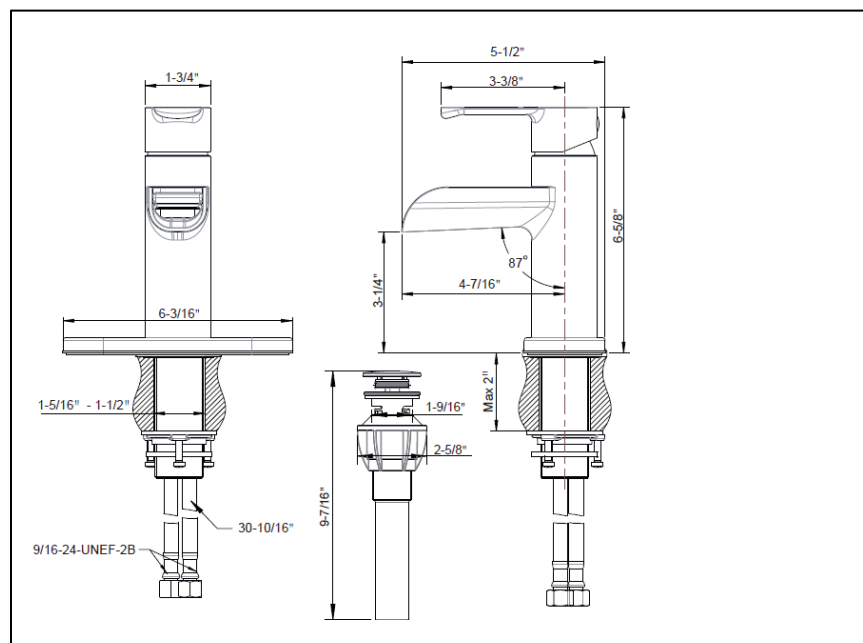
- Polished Chrome (UF38800)
- PVD Brushed Nickel (UF38803)
- Oil Rubbed Bronze (UF38805)
- Matte Black (UF38807)
- Brushed Gold (UF38808)

WARRANTY

- Limited lifetime warranty on workmanship and materials to the original purchaser

COMPLIES WITH

- NSF 61-9
- ASME A112.18.1
- CSA B125.1
- IAPMO/UPC/cUPC
- AB1953
- EPA Watersense



tel. 888-OK-ULTRA (658-5872) • fax. 949-225-6099 • <http://www.ultrafaucets.com>

This specification is provided for reference only. Ultra Faucets reserves the right to modify specifications and materials without notice or obligation.

