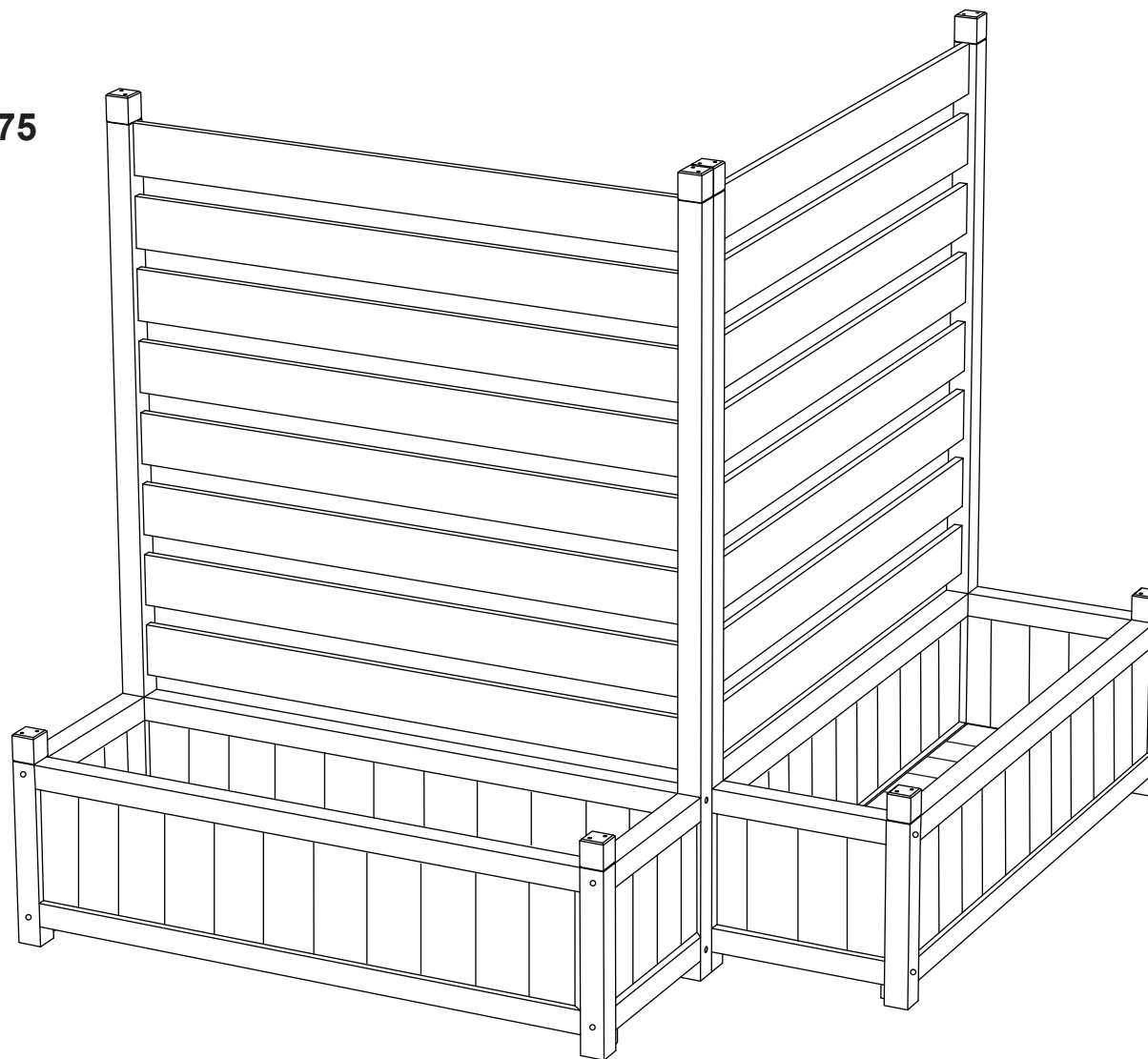




Air Conditioner and Trash Can Fence LNG775






Note: Please follow the instructions for
more convenient installation.

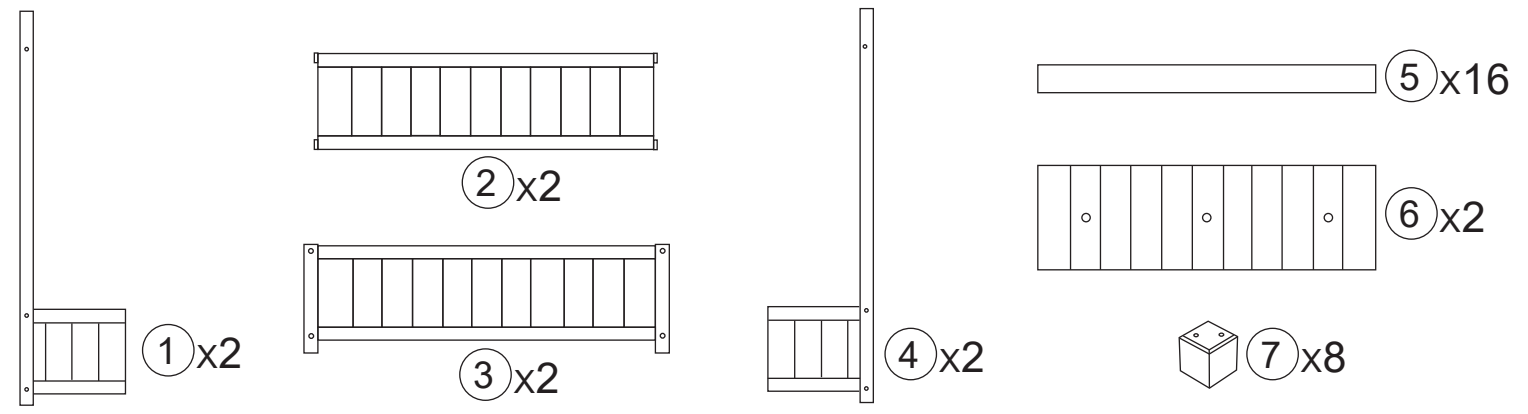


Use mobile phone to
scan the QR code
View assembly video




2 PERS.

- A M3.5*70  8+1pcs
- B M3.5*60  24+1pcs
- C M3.0*30  20+1pcs
- D M3.0*16  6+1pcs
- E  3pcs



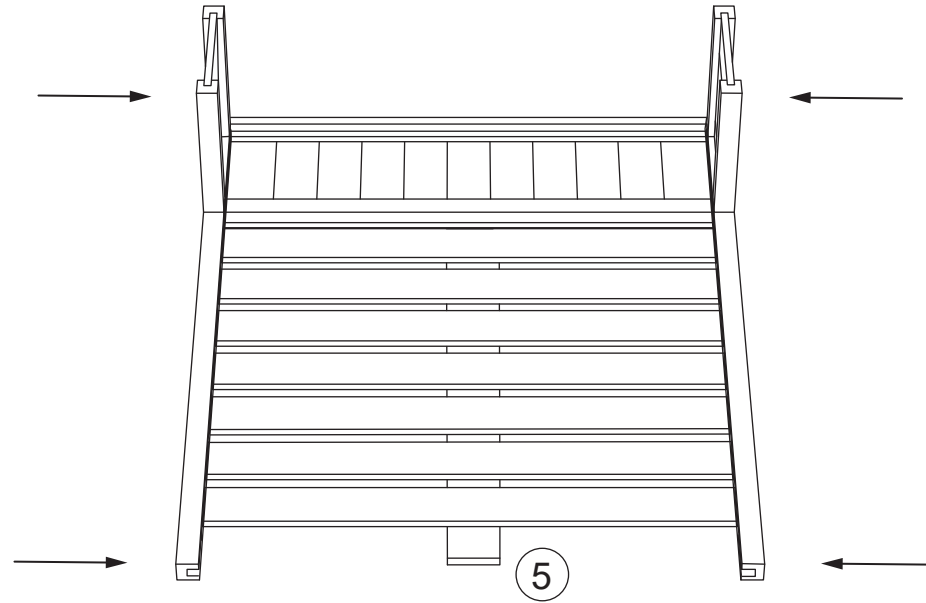
1 Step 1: Lay the product flat on the floor, insert Part #2 and Part #5 (x7) into the grooves of the first Part# 1, then connect part#1 and #2 with screw B (x2) - Pay attention to the front and back orientation of Part #2, as shown in the figure.

 B*2pcs

2 Step 2: In order to facilitate easier connection, please put an extra Part #5 underneath as shown and connect the Part #4 to the unit from the top to the bottom as shown.

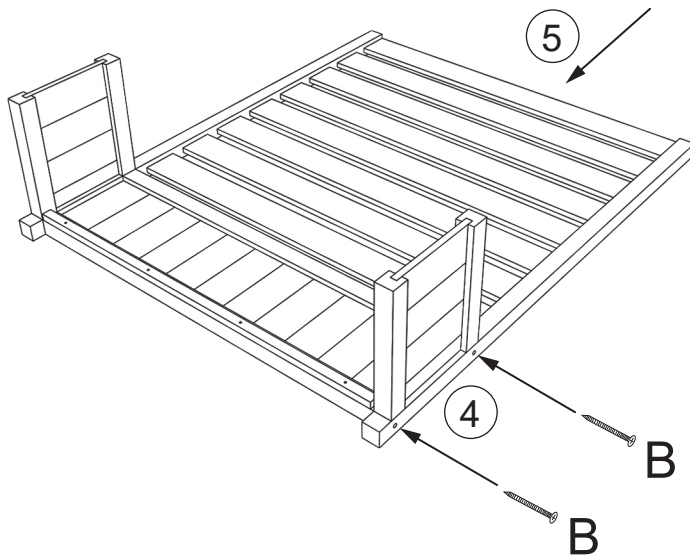
3


Step 3: Have two people lock in the top and bottom of the assembled unit with two hands respectively, while pressing or tapping until all parts are snug together in the grooves.



4

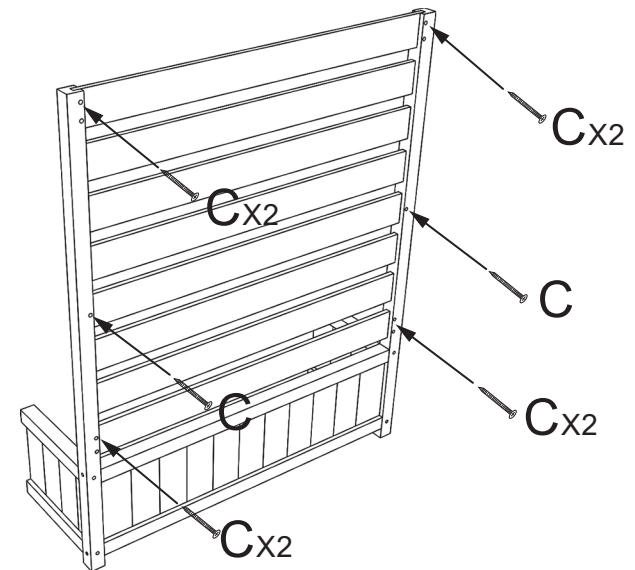
Step 4: Lock Part #2 and Part #4 with screw B x 2, take out the Part #5 from underneath and put it into the top groove.




 B*2pcs

5

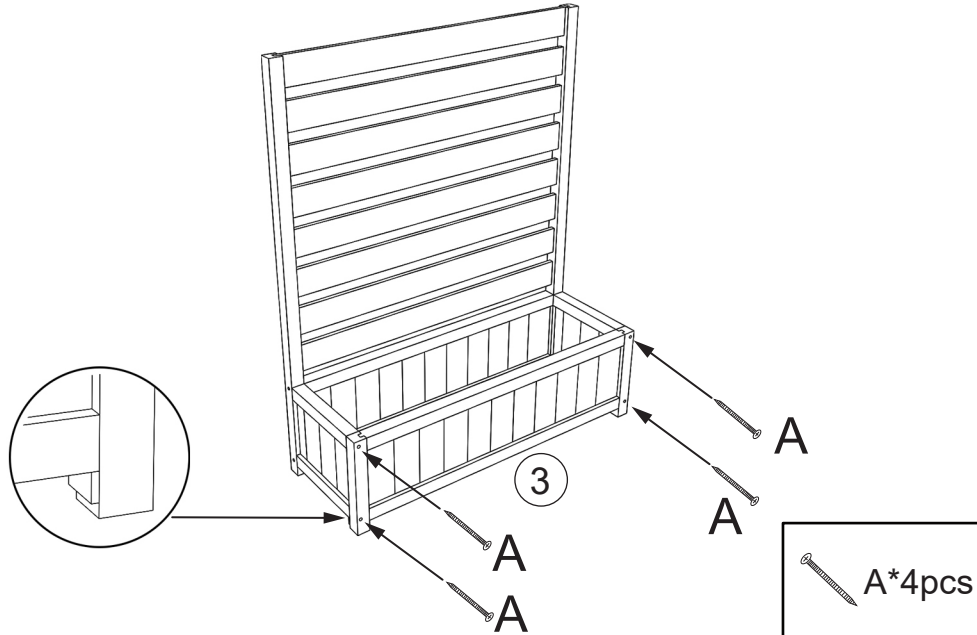
Step 5: Hold unit with both hands and carefully lift up and secure all connections with screw C (x10) on the back as shown.



 C*10pcs

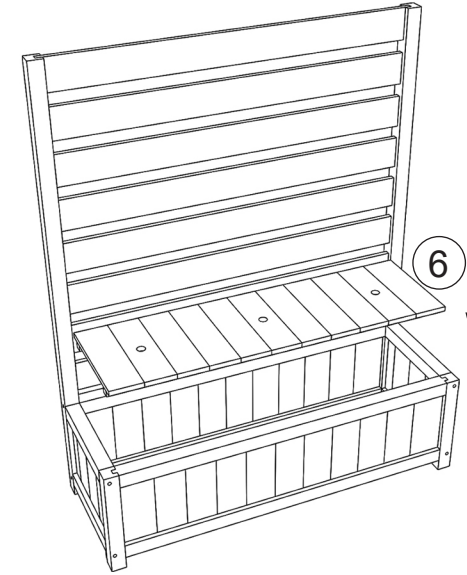
6

Step 6: Put bottom Front Part #3 in place and connect it with screws A (x4)
- Pay attention to the front and back of Part #2, as shown in the figure.



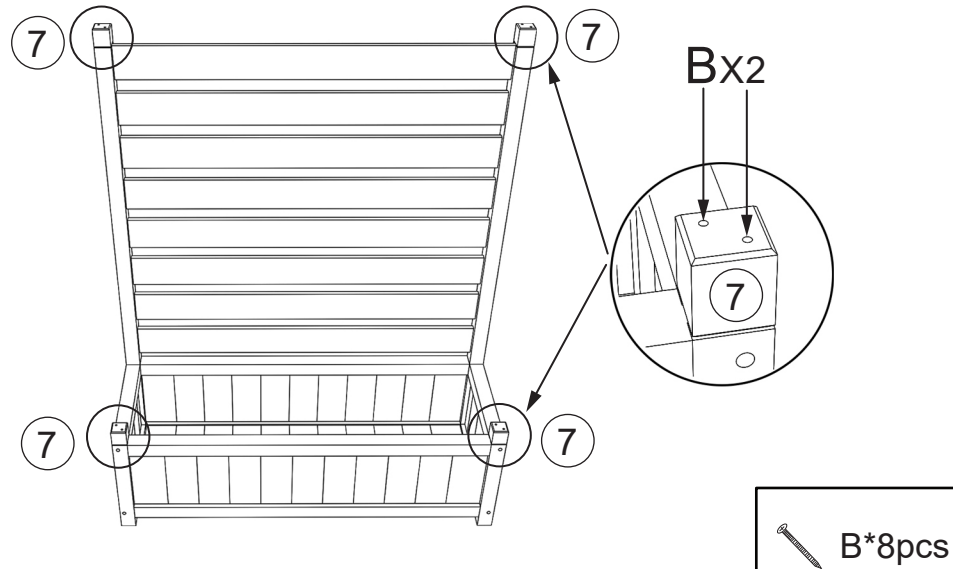
7

Step 7: Put Part #6 into the bottom of the plant box.



8

Step 8: Connect Part #7 caps (x4) on the main body with screws B (x8)
as shown.
(Repeat the above process to assemble the 2nd planter)



9

Step 9: Two wooden fences can be arranged or used separately as needed,
and then locked with metal hardware Part E and screw D x6 as desired.

