


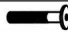




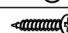

ASSEMBLY INSTRUCTIONS

Read this instruction carefully. See hardware and Furniture part list for guidance.
 Be sure all parts are complete, before you assemble. Pace all wooden prevent from being scratched.
 Follow the figure to start assembling.

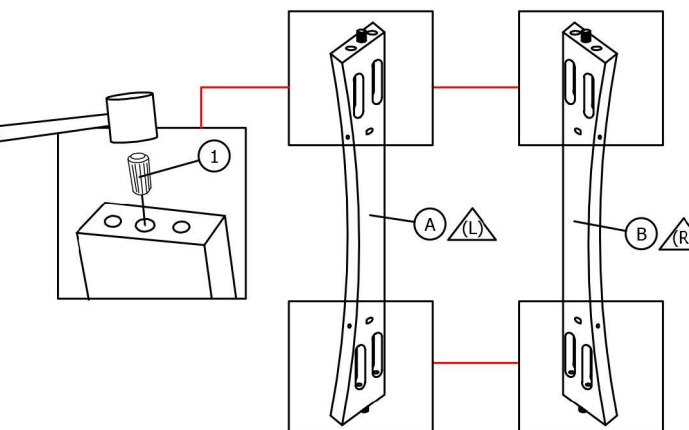
CAUTIONS: 1. Do not FULLY- TIGHTEN the nut or bolt until all nut and bolt is ready assembled.
 2. Do not OVER - TIGHTEN the nut or bolt avoid causing damages to the thread.
 3. Keep all hardware parts out of reach of children.

NOTE: THE LIST AND QUANTITY SHOWN ARE FOR 1 UNIT ASSEMBLY.

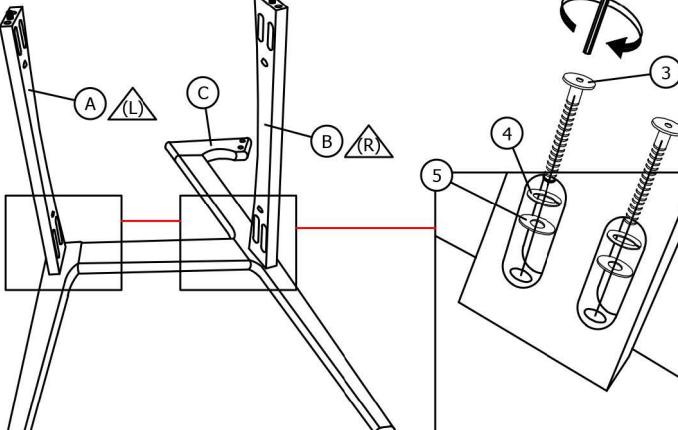
PART LIST		
ITEM	DESCRIPTION	QTY
A	FRONT RAIL (L)	1 PC
B	BACK RAIL (R)	1 PC
C	ARM (L & R)	2 PCS
D	BACK REST	1 PC
E	CUSHION SEAT	1 PC

HARDWARE LIST			
ITEM	DESCRIPTION		QTY
1	WOOD DOWER M8 x 30MM		4 PCS
2	JCBC SCREW M6 x 40 MM		4 PCS
3	JCBC SCREW M6 x 50 MM		8 PCS
4	SPRING WASHER M6		12 PCS
5	FLAT WASHER M6 x 13 MM		12 PCS
6	WOOD BUTTON 14.5 MM		4 PCS
7	CSK SCREW M4 x 32 MM		4 PCS
8	ALLEN KEY M4		1 PC

STEP 01

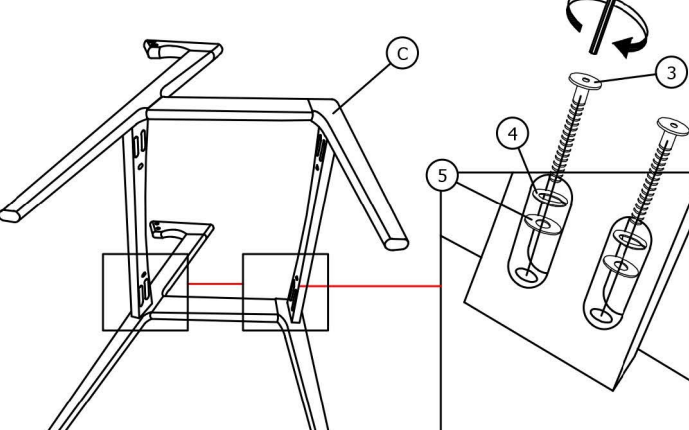


STEP 02



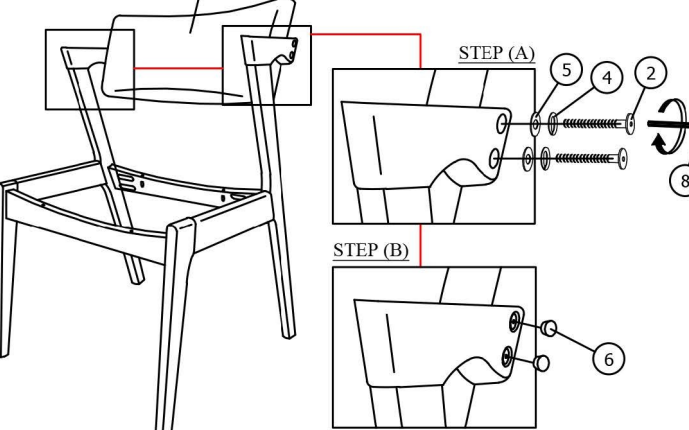
DO NOT FULLY TIGHTEN BOLT.

STEP 03



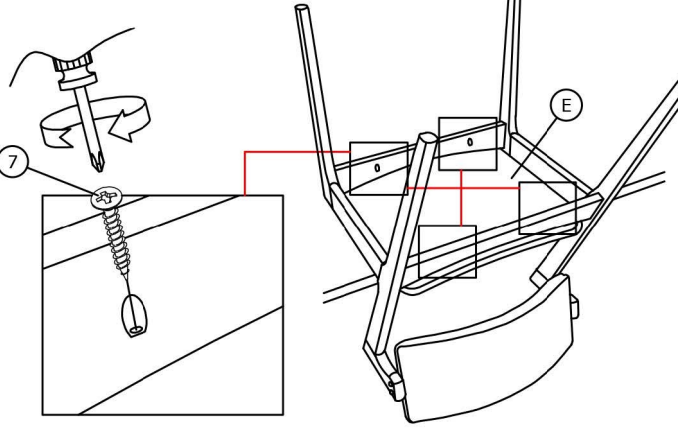
DO NOT FULLY TIGHTEN BOLT.

STEP 04

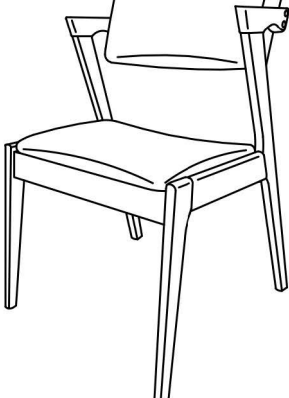


FINISH STEP 04, PLEASE TIGHTEN BOLT STEP 02 AND STEP 03.

STEP 05



STEP 06



FULLY SET-UP (CHAIR)