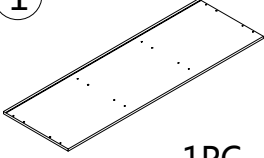
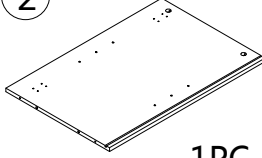
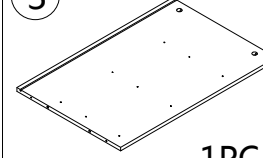
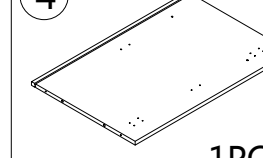
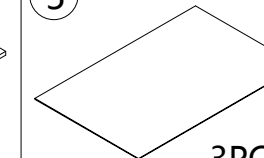
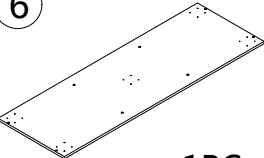
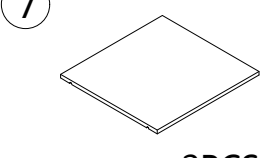
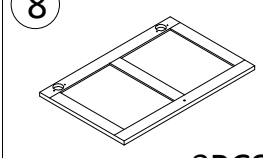
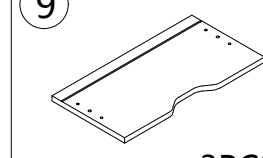
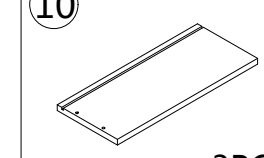
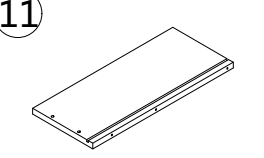
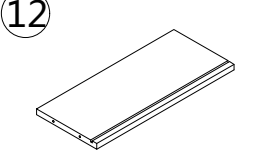
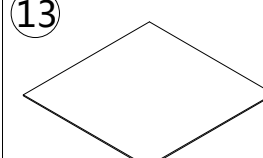
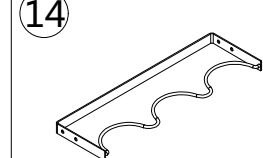
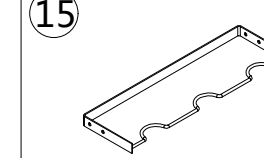
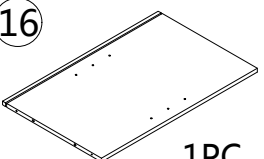
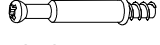
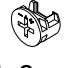


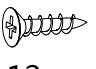
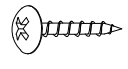
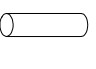

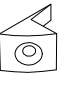
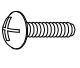
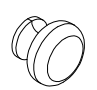

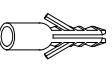

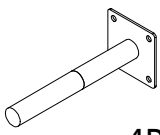
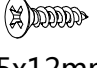
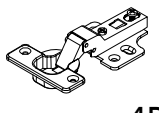

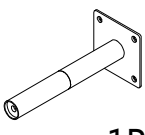
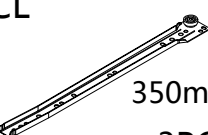
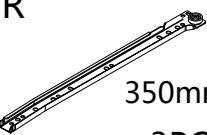
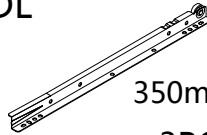
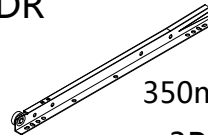
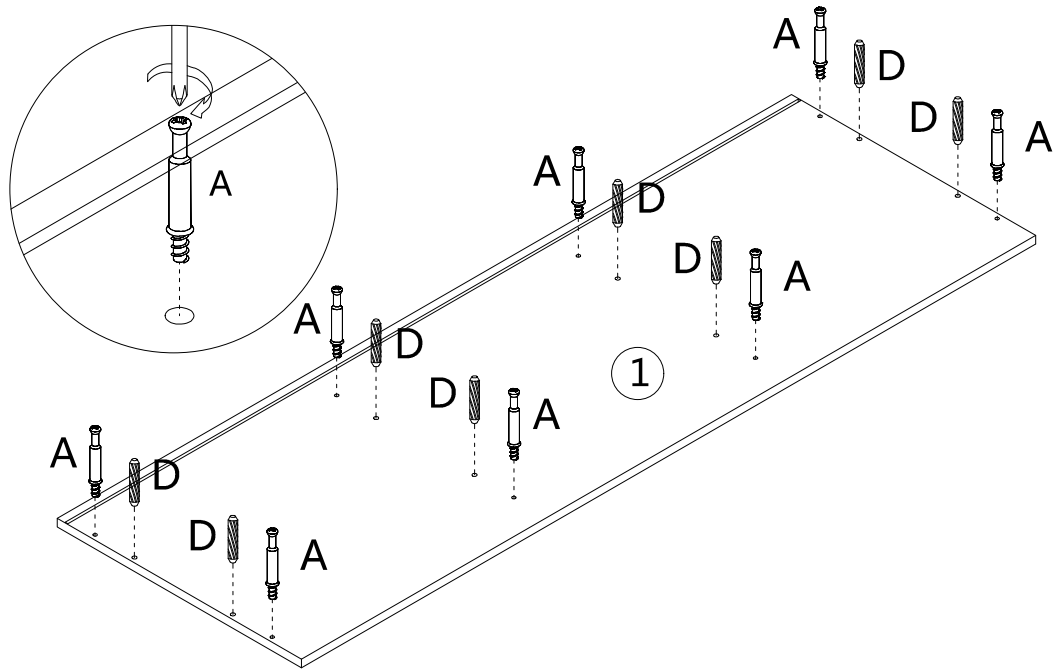


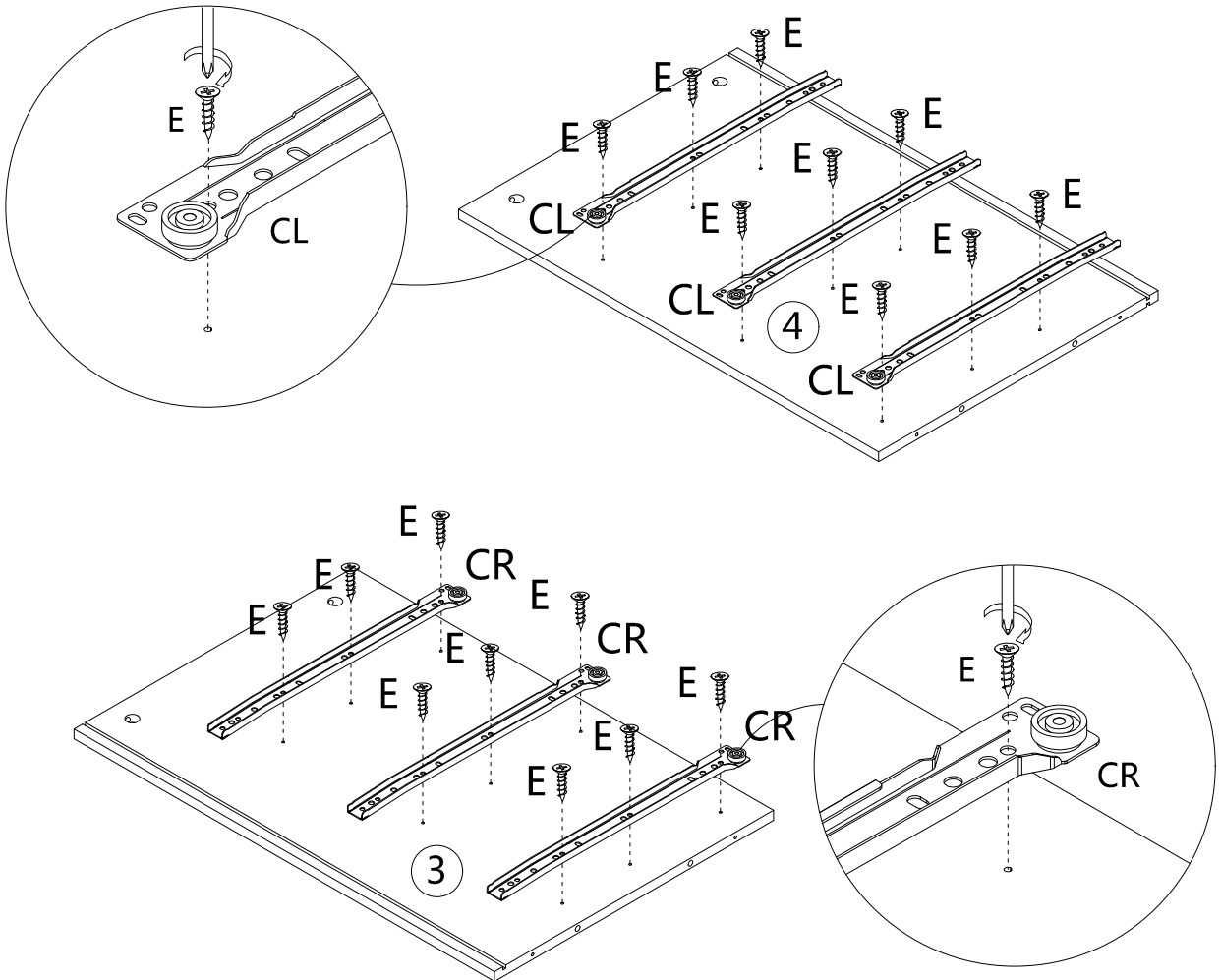
Assembly Instructions
Item Name: Side Board

 1 1PC	 2 1PC	 3 1PC	 4 1PC	 5 3PCS
 6 1PC	 7 2PCS	 8 2PCS	 9 3PCS	 10 3PCS
 11 3PCS	 12 3PCS	 13 3PCS	 14 1PC	 15 1PC
 16 1PC	A  6x35mm 20PCS	B  ø15x9mm 20PCS	C  4x40mm 22PCS	D  6x30mm 22PCS
E  3x12mm 36PCS	F  4x12mm 28PCS	G  5x20mm 8PCS	H  3x14mm 14PCS	I  12PCS
J  4x20mm 2PCS	K  2PCS	L  4PCS	M  6x30mm 2PCS	N  2PCS
O  4PCS	P  3.5x12mm 24PCS	Q  4PCS	R  1PC	S  1PC
CL  350mm 3PCS	CR  350mm 3PCS	DL  350mm 3PCS	DR  350mm 3PCS	

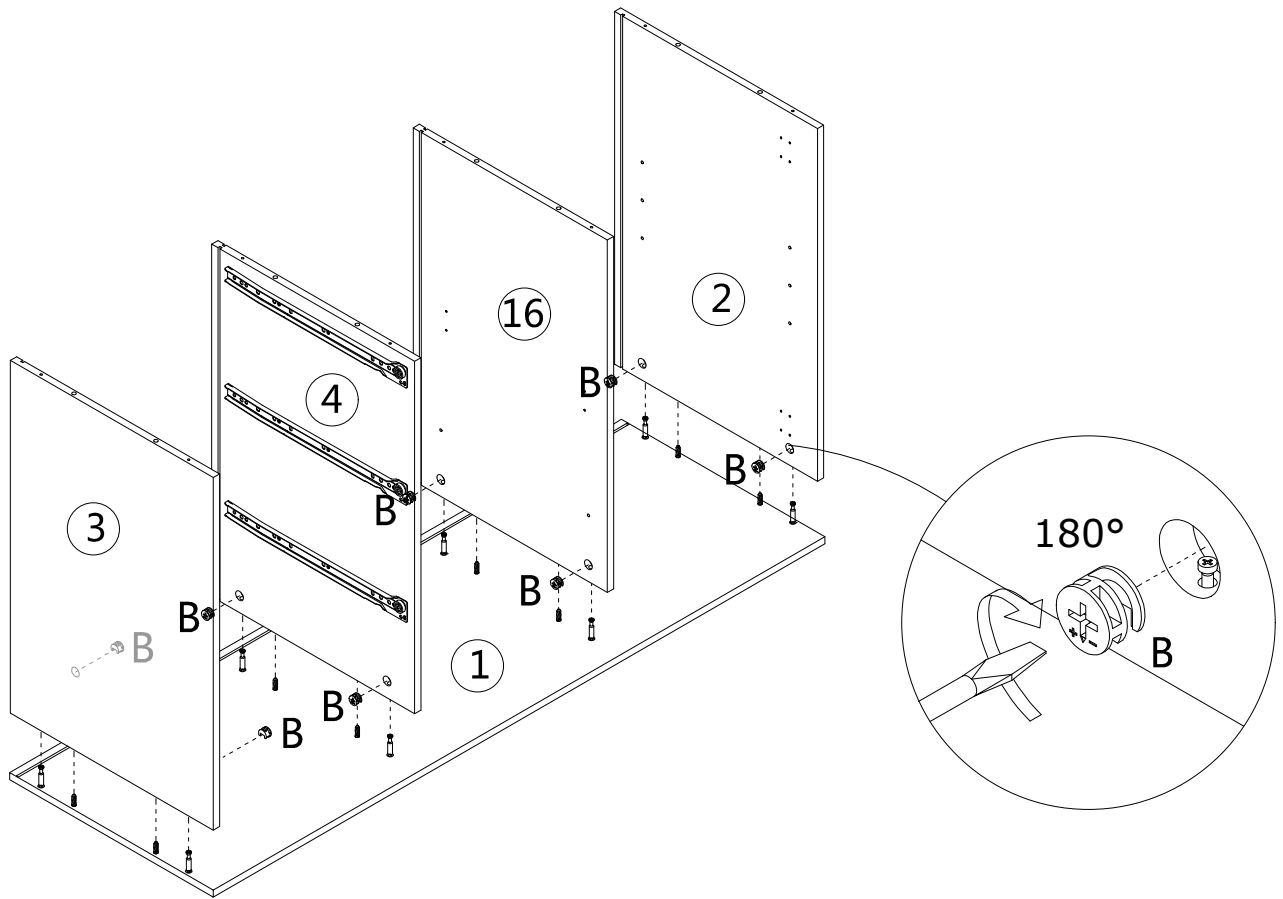
1



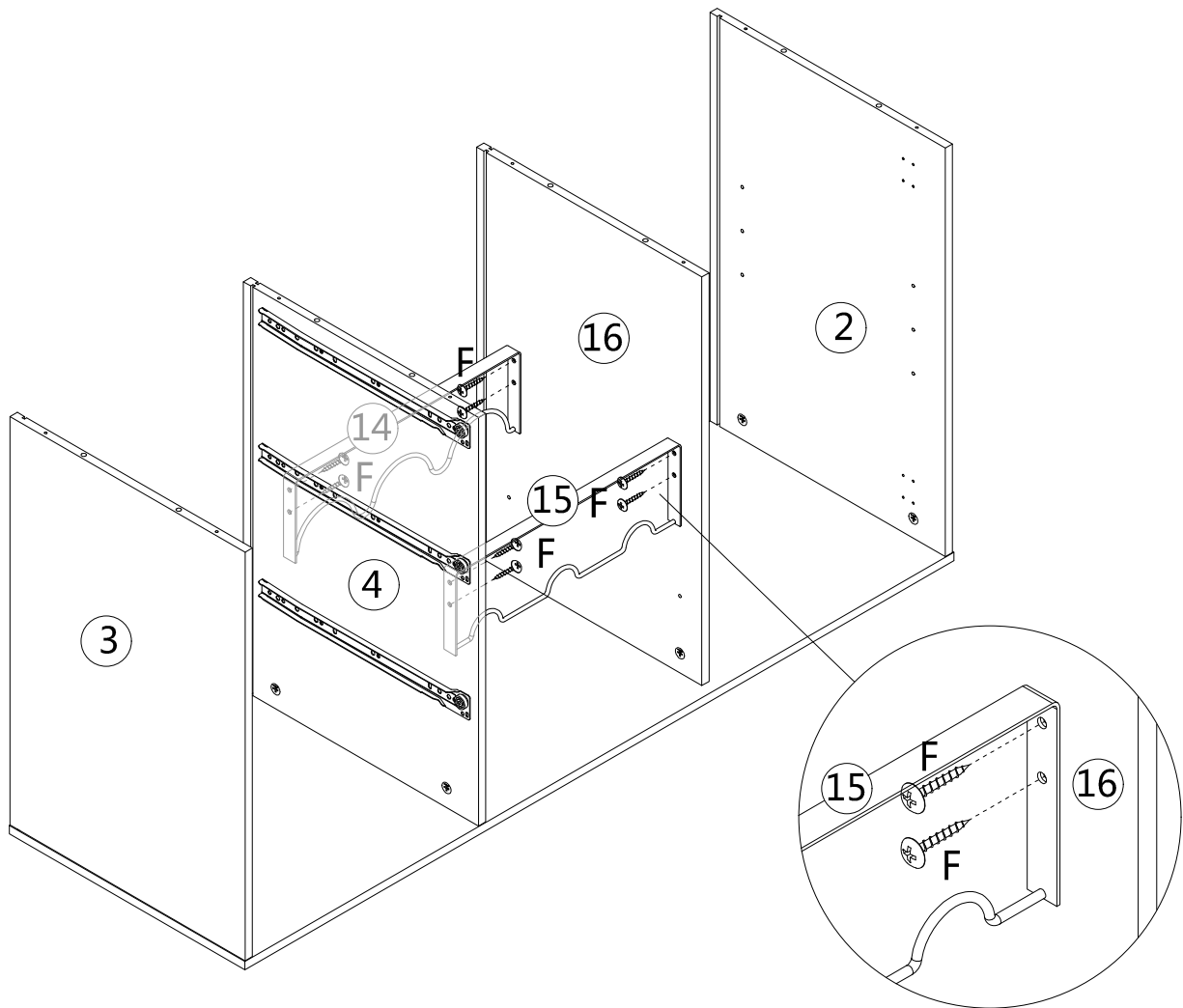
2



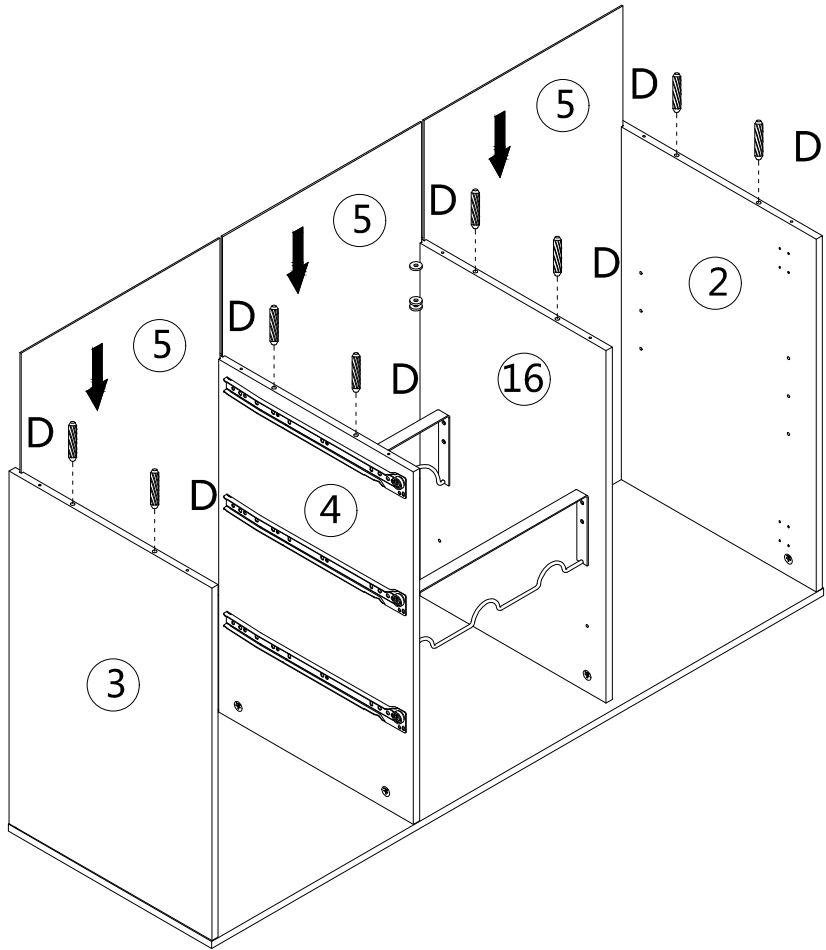
3



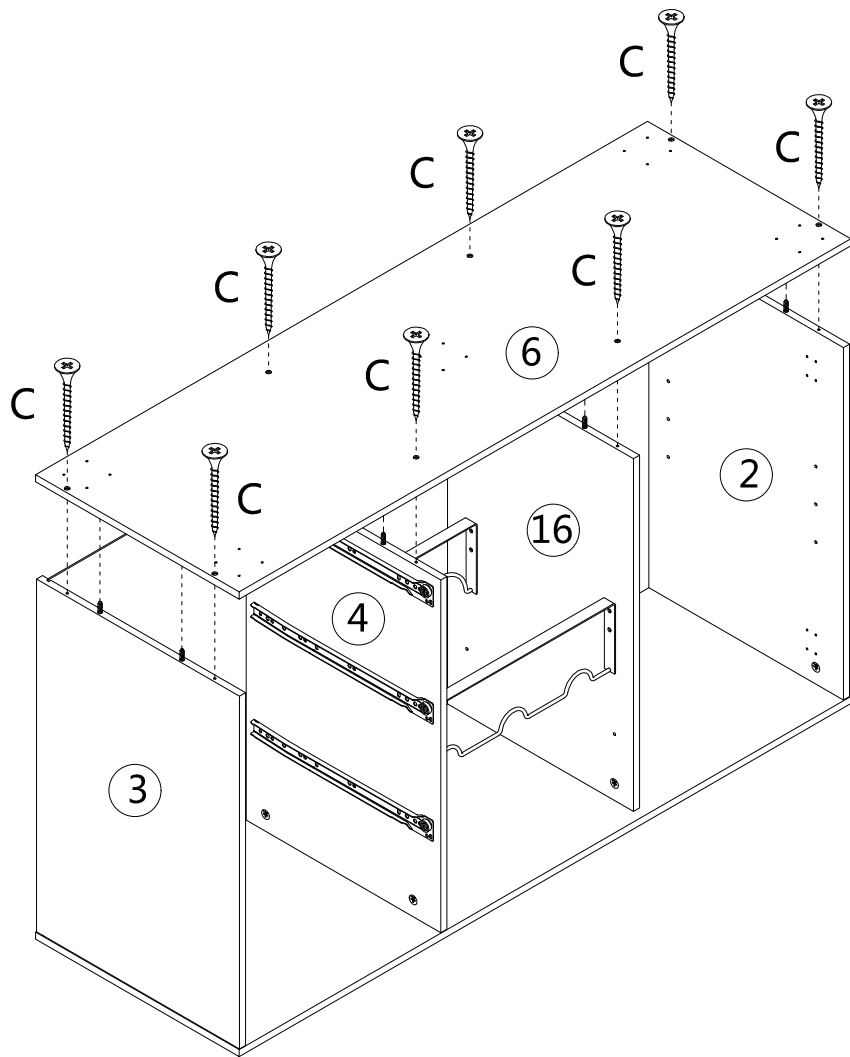
4



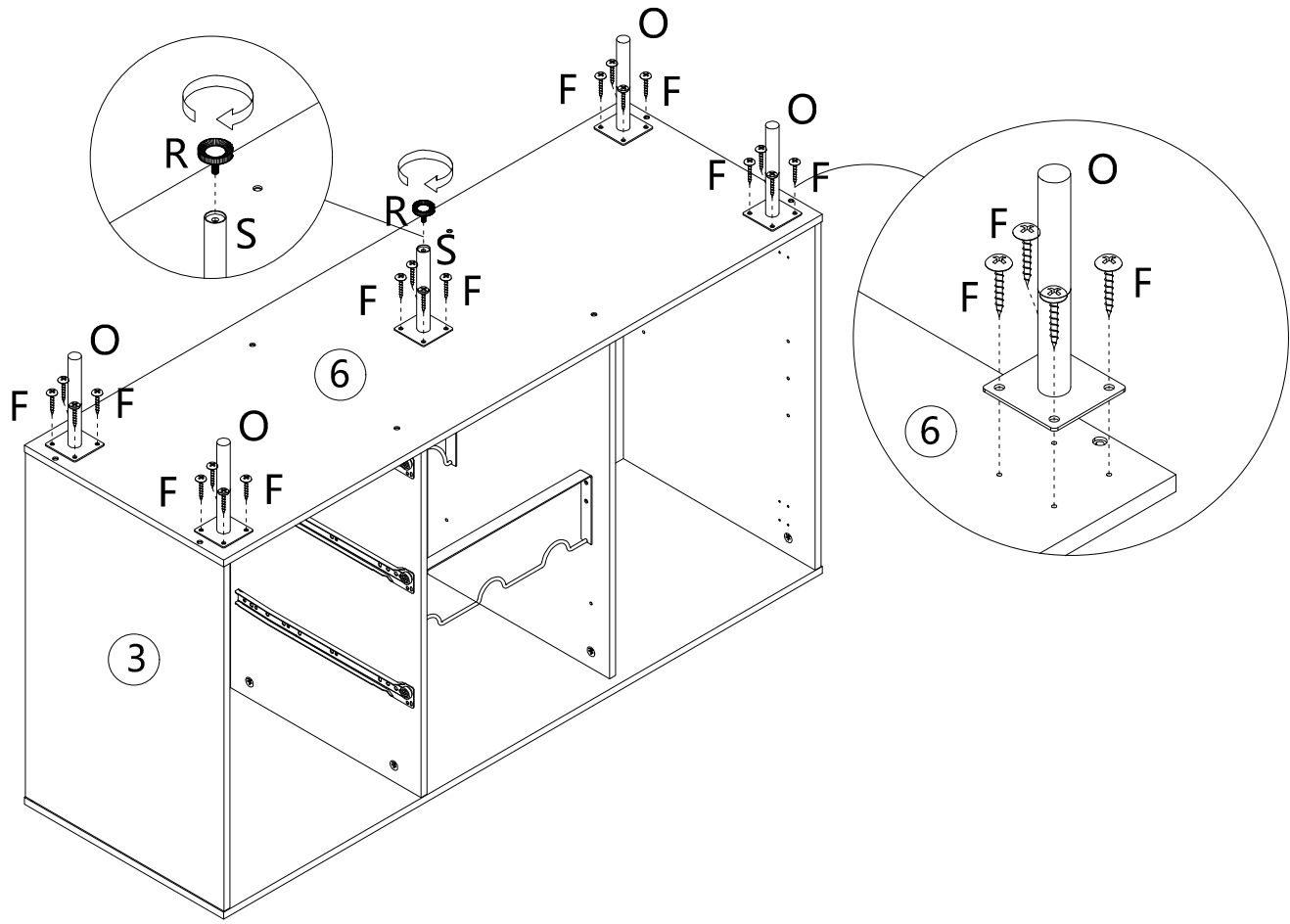
5



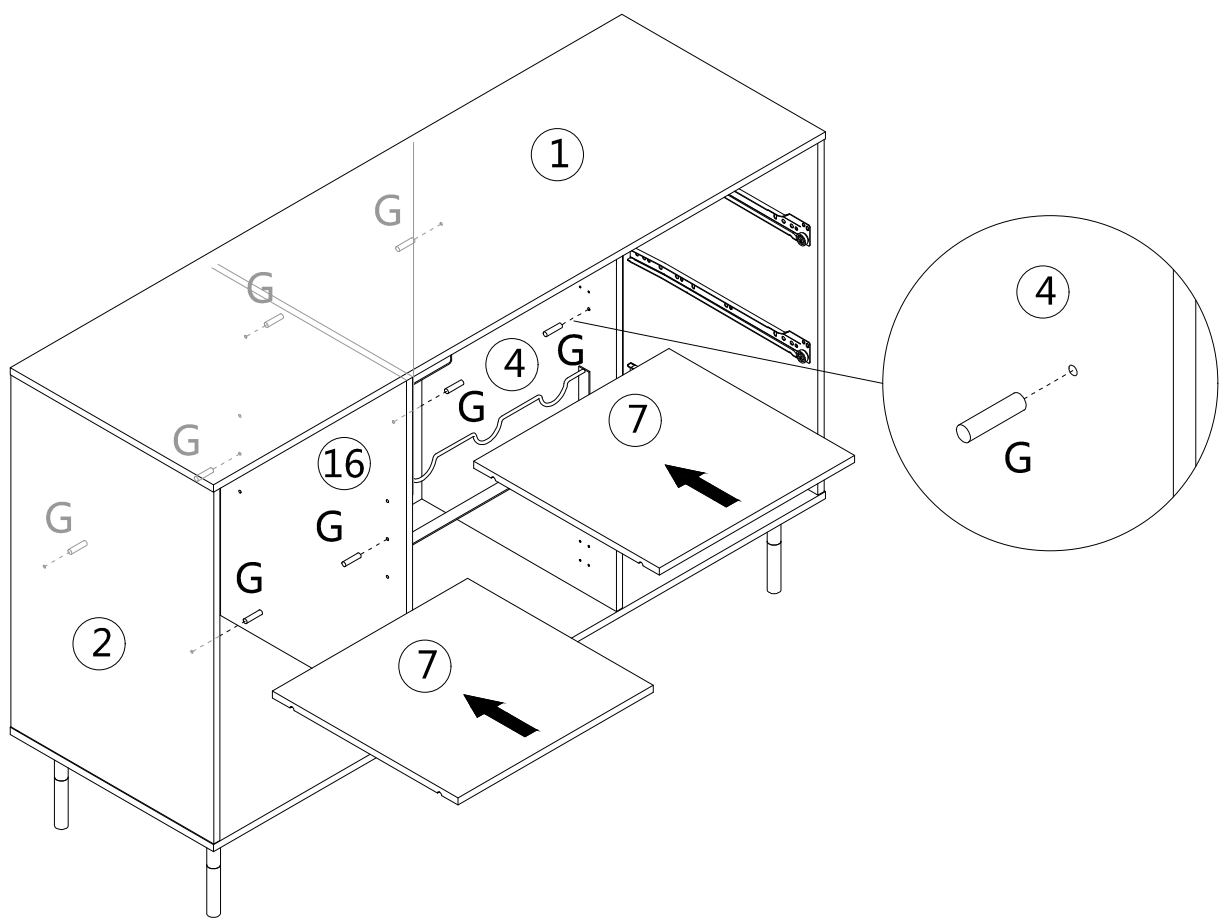
6



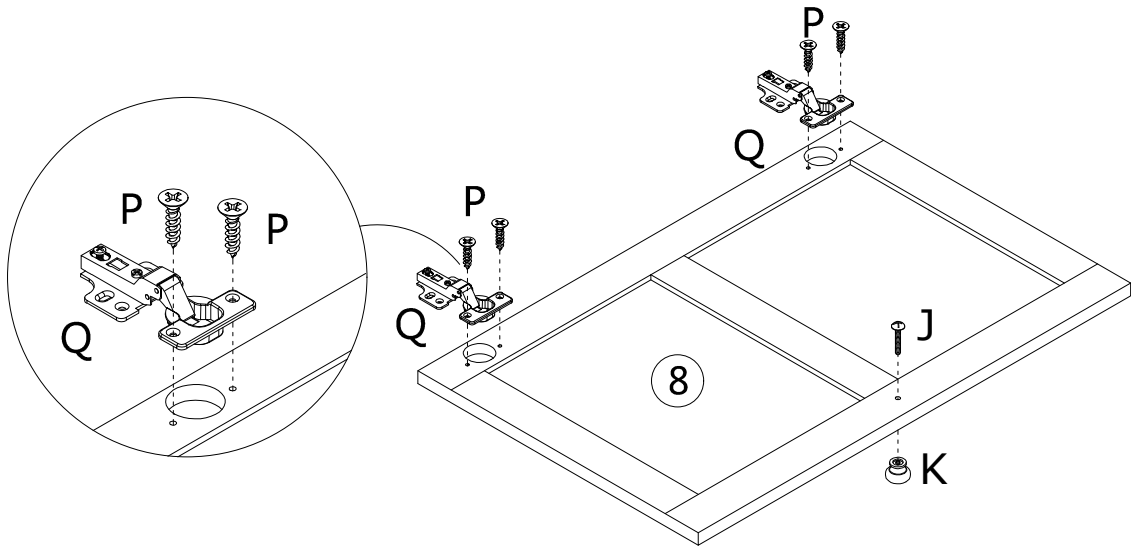
7



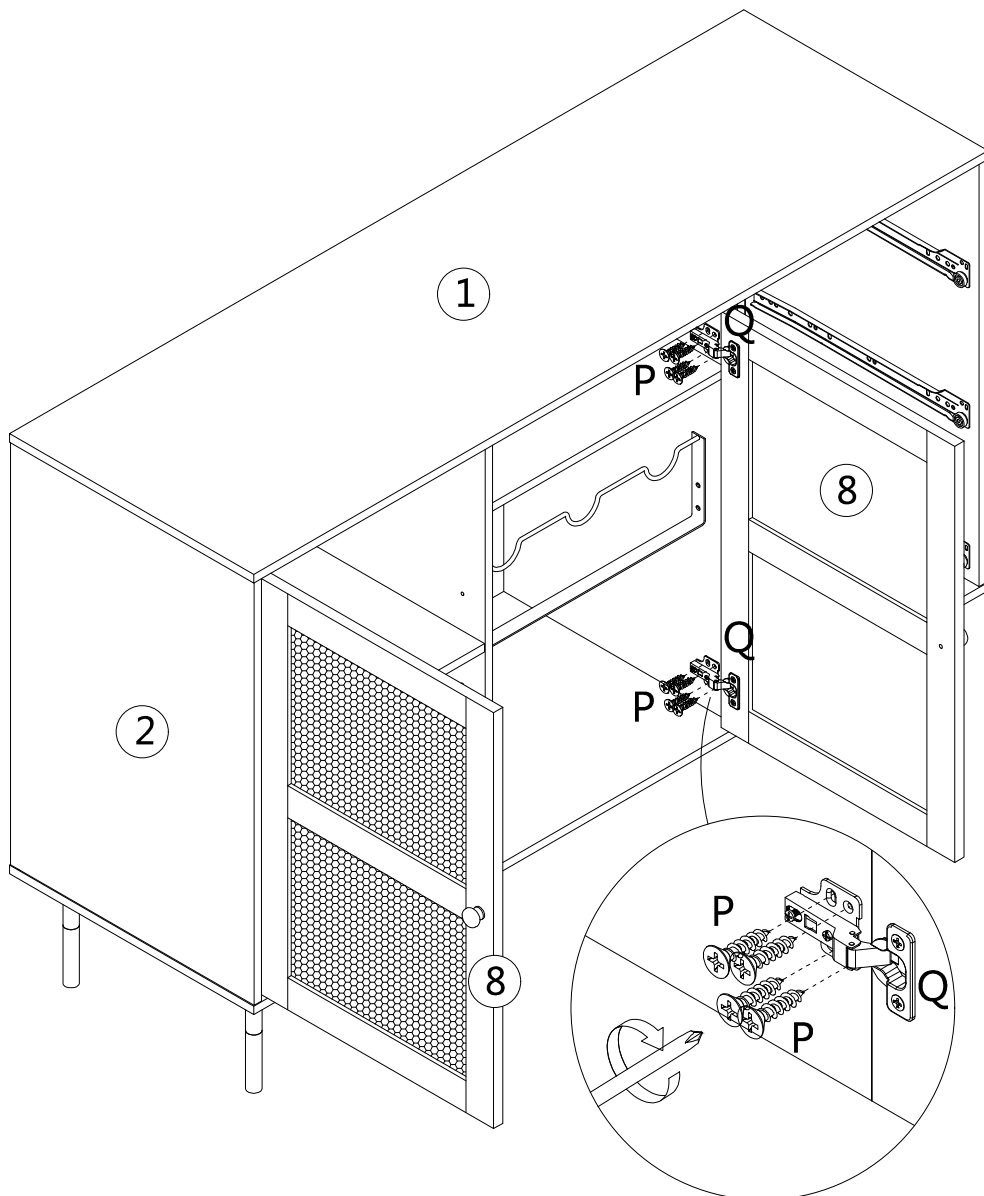
8



9 x2

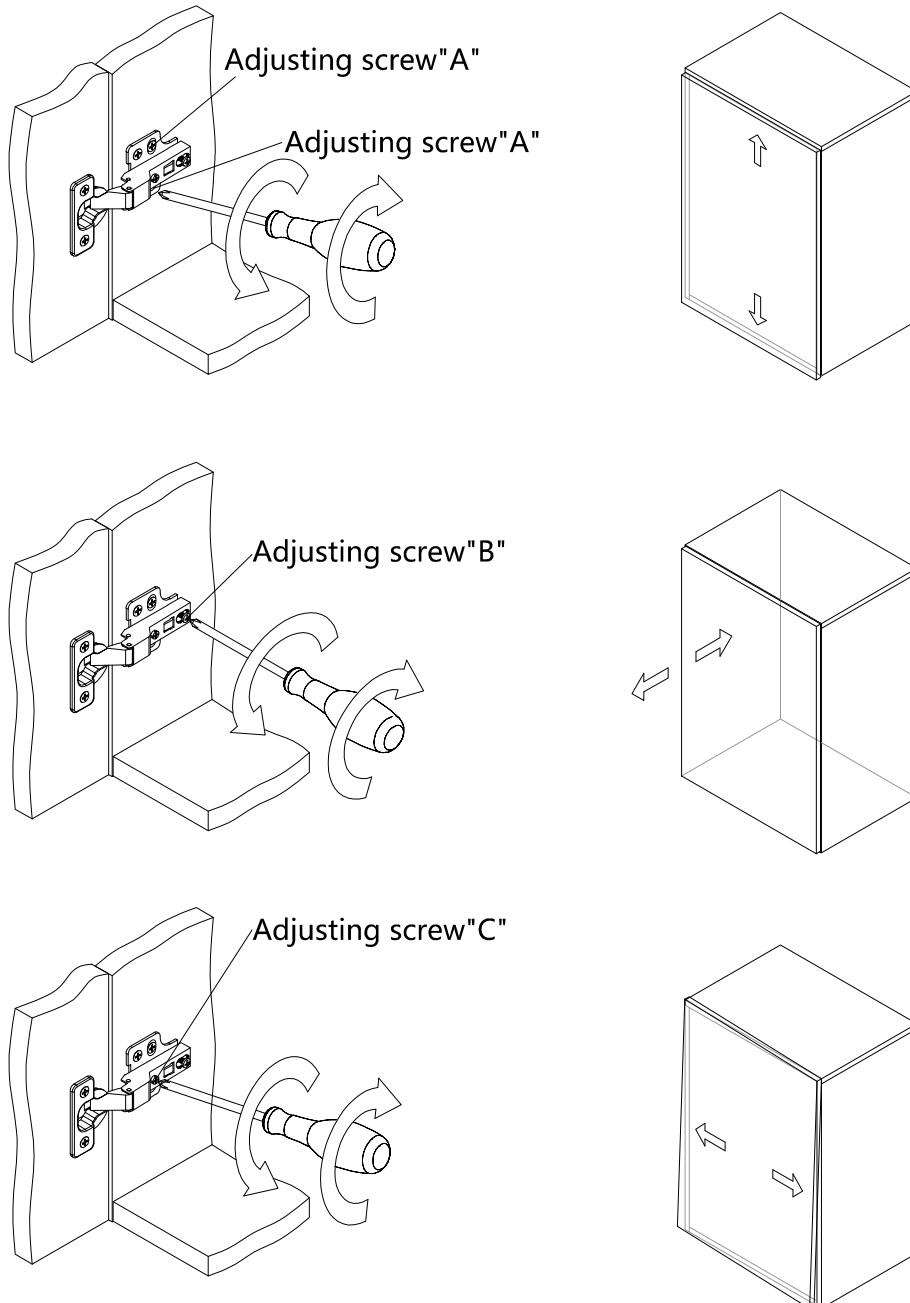


10

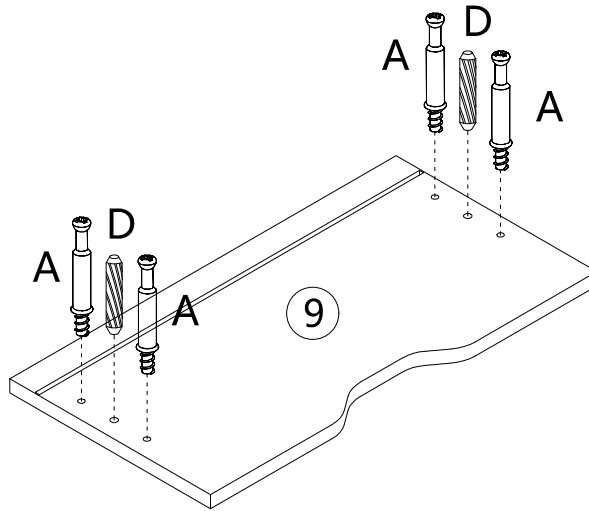


If the door panel is not sitting at a right position or angle, follow the steps below to improve.

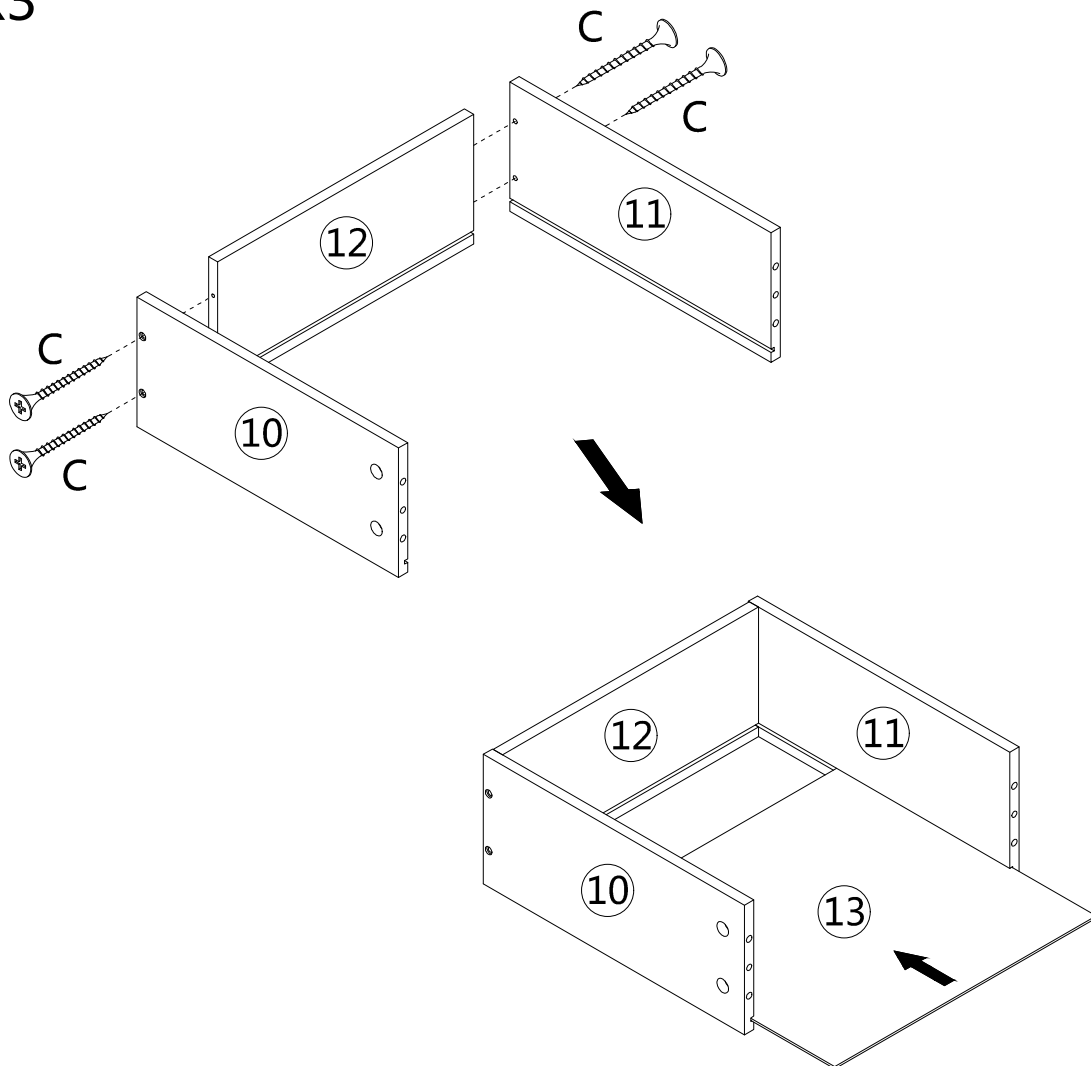
- (1) Loosen the hinge, adjust the door panel position (up and down), then fasten the screws to secure the hinge (Adjusting screw "A").
- (2) Loosen the middle screw of the hinge and adjust the door panel in and out, to desired position, then fasten the screws to secure the hinge (Adjusting screw "B").
- (3) Adjust the nut at the centre of the hinge to fine tune the tilting angle of the door panel (left or right) to make the door panel to be vertical (Adjusting screw "C").



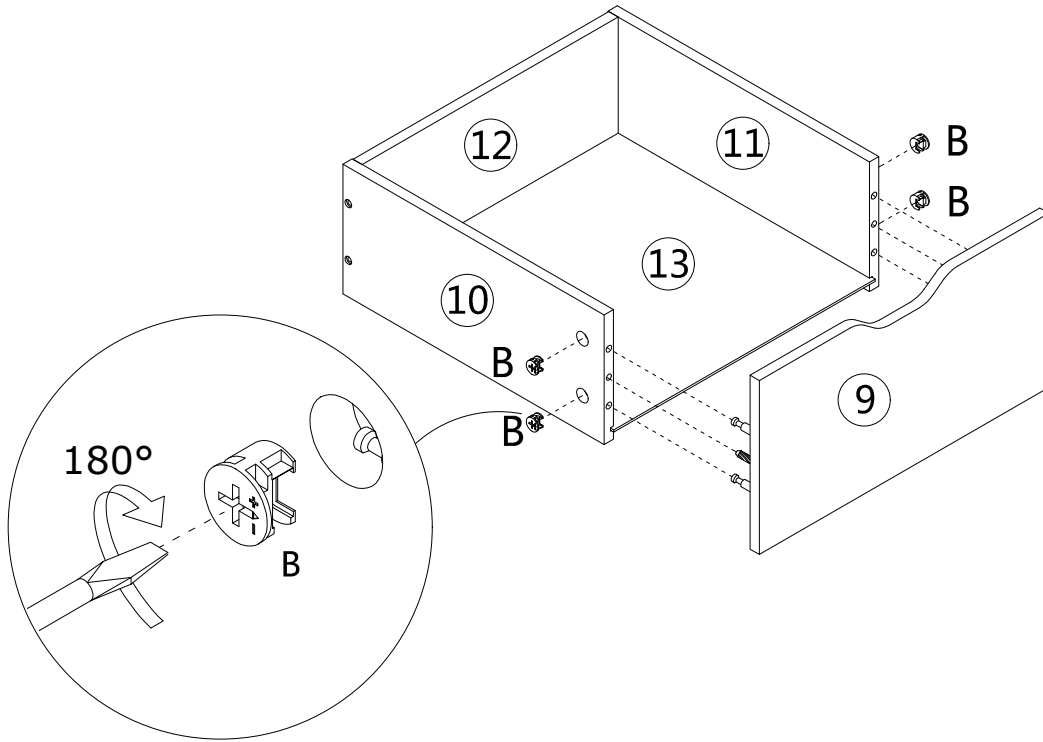
12 x3



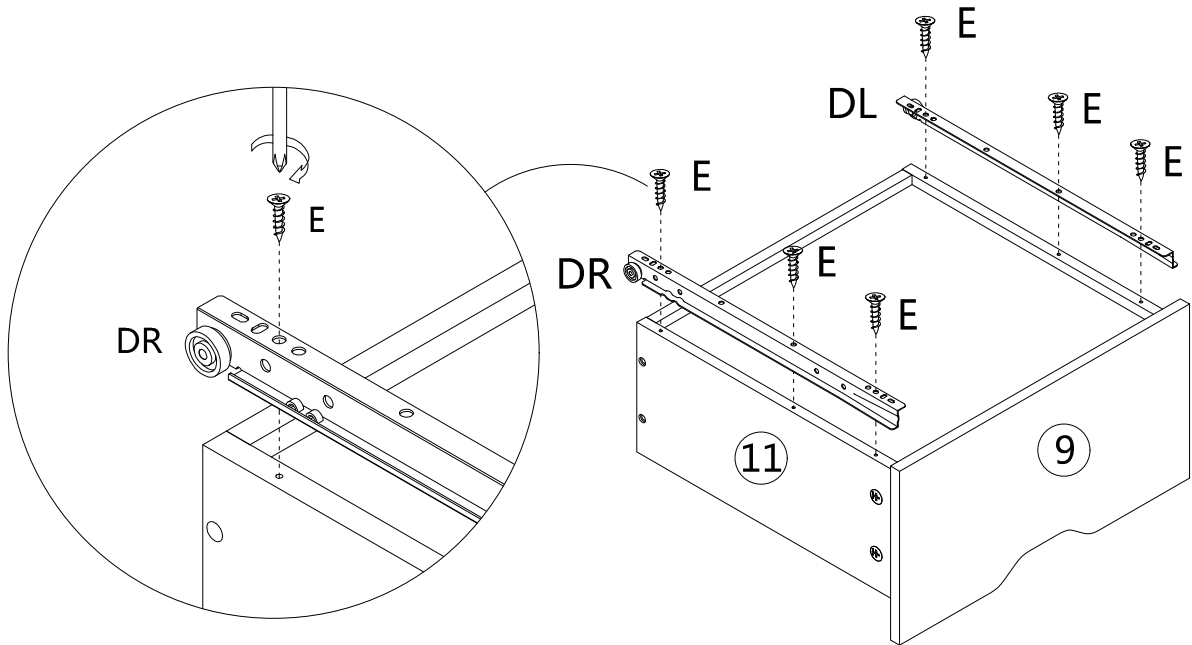
13 x3



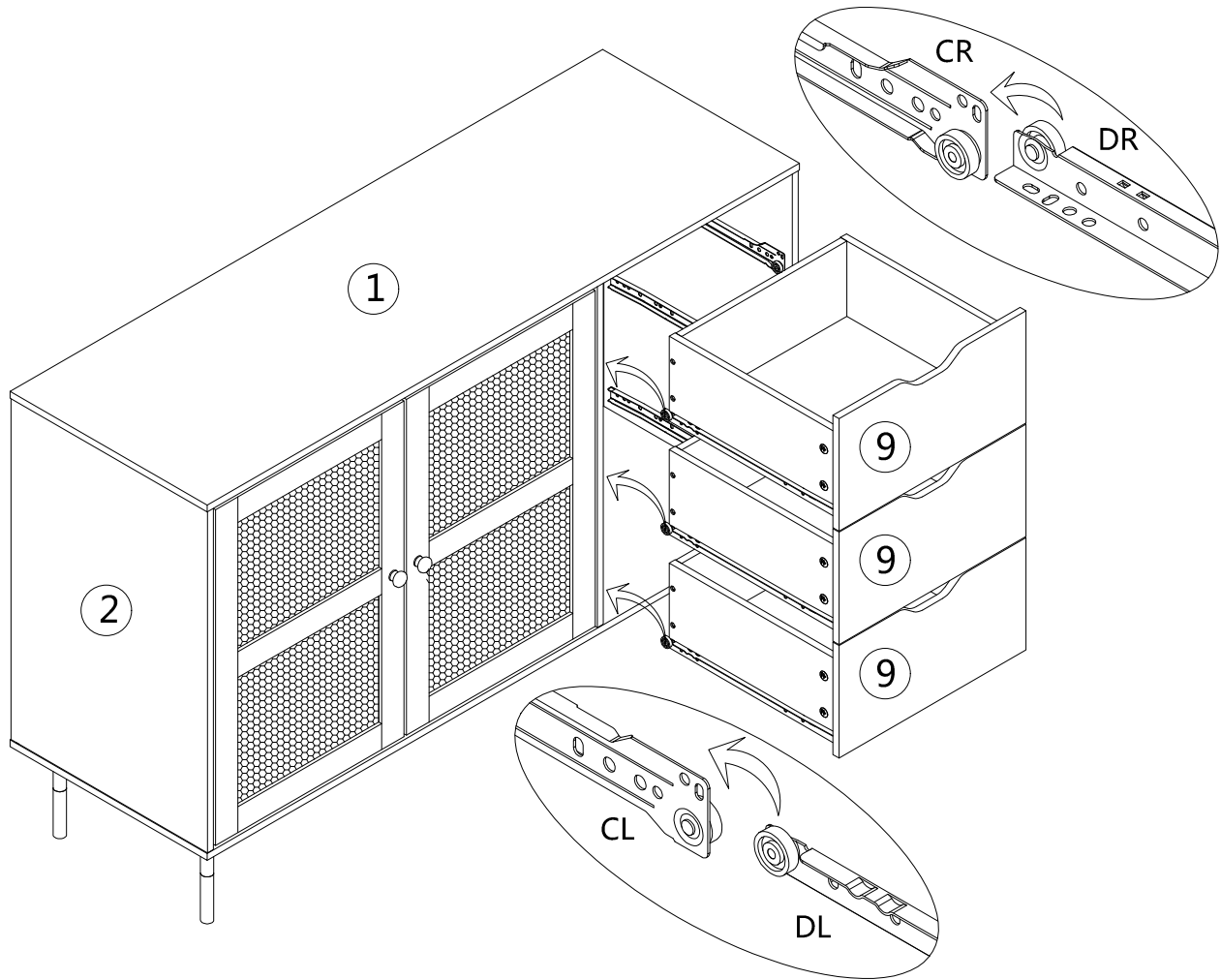
14 x3



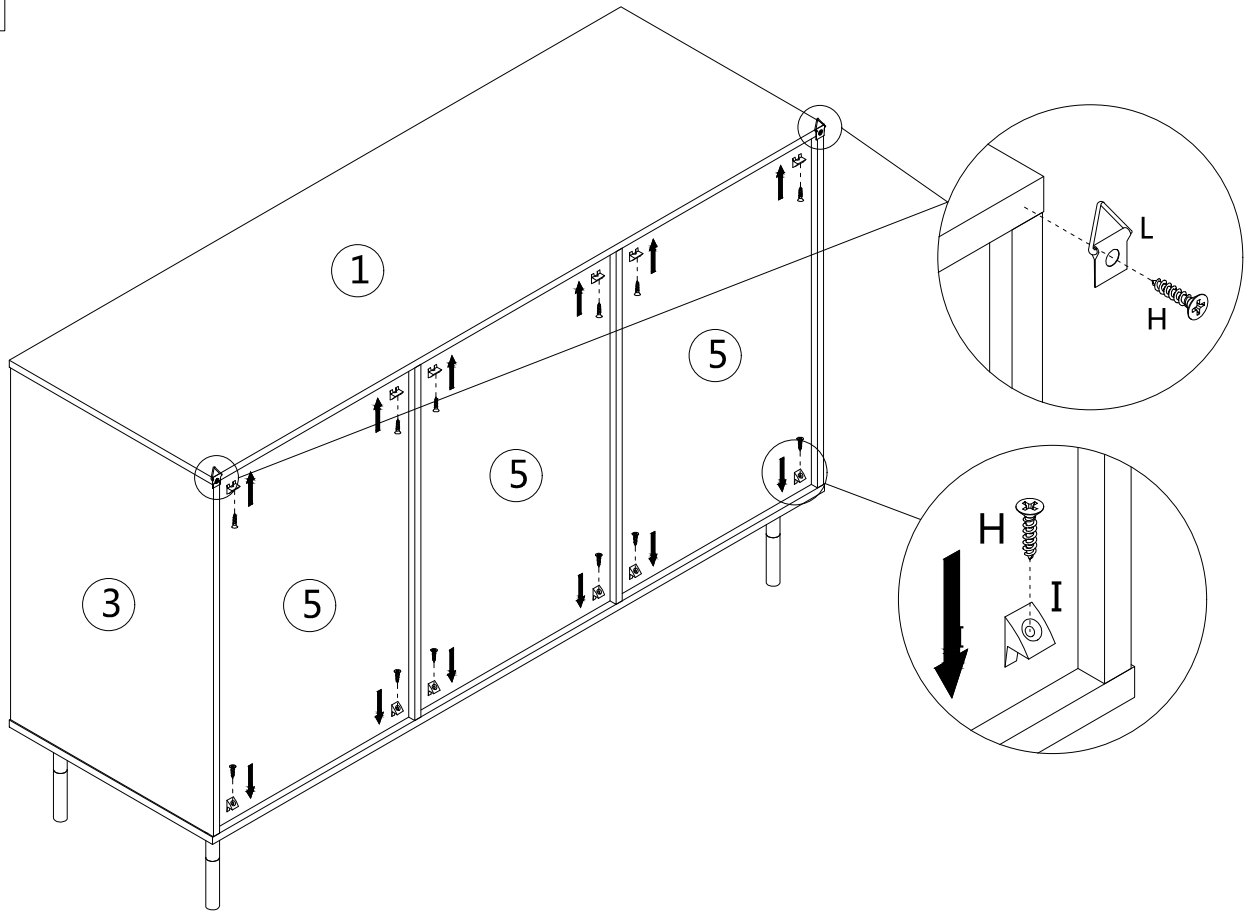
15 x3



16



17



WALL

