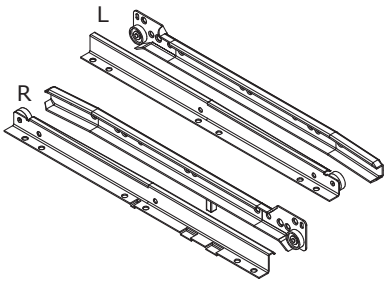
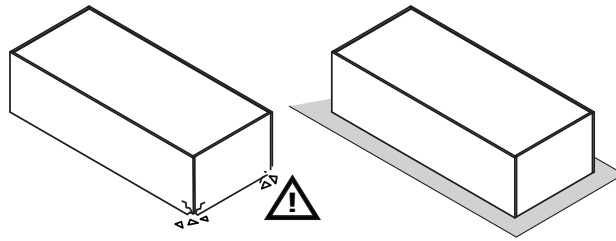
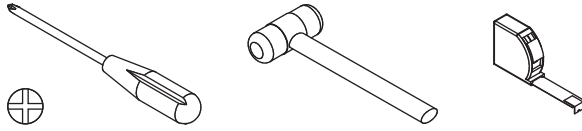
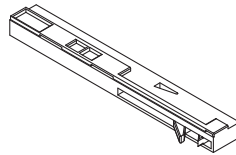




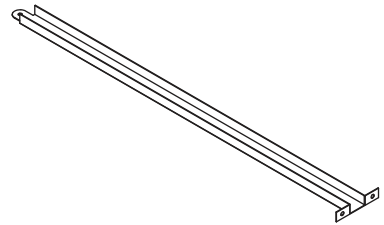
1,5h



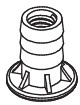
A58
x1



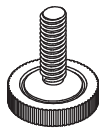
H238
x1



W398
x1



T94
x4



P34
x4



V98
x3



V13
x4



V5
x10



H2
x4



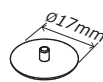
H113
x2



T28
x14



T98
x2



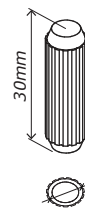
G136
x2



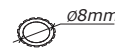
T99
x12



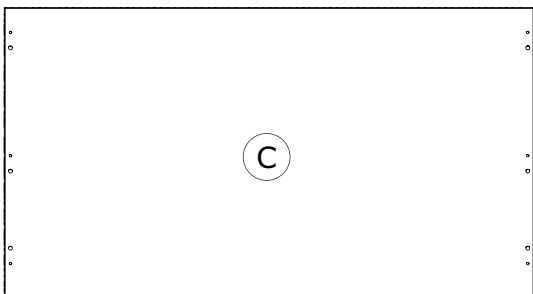
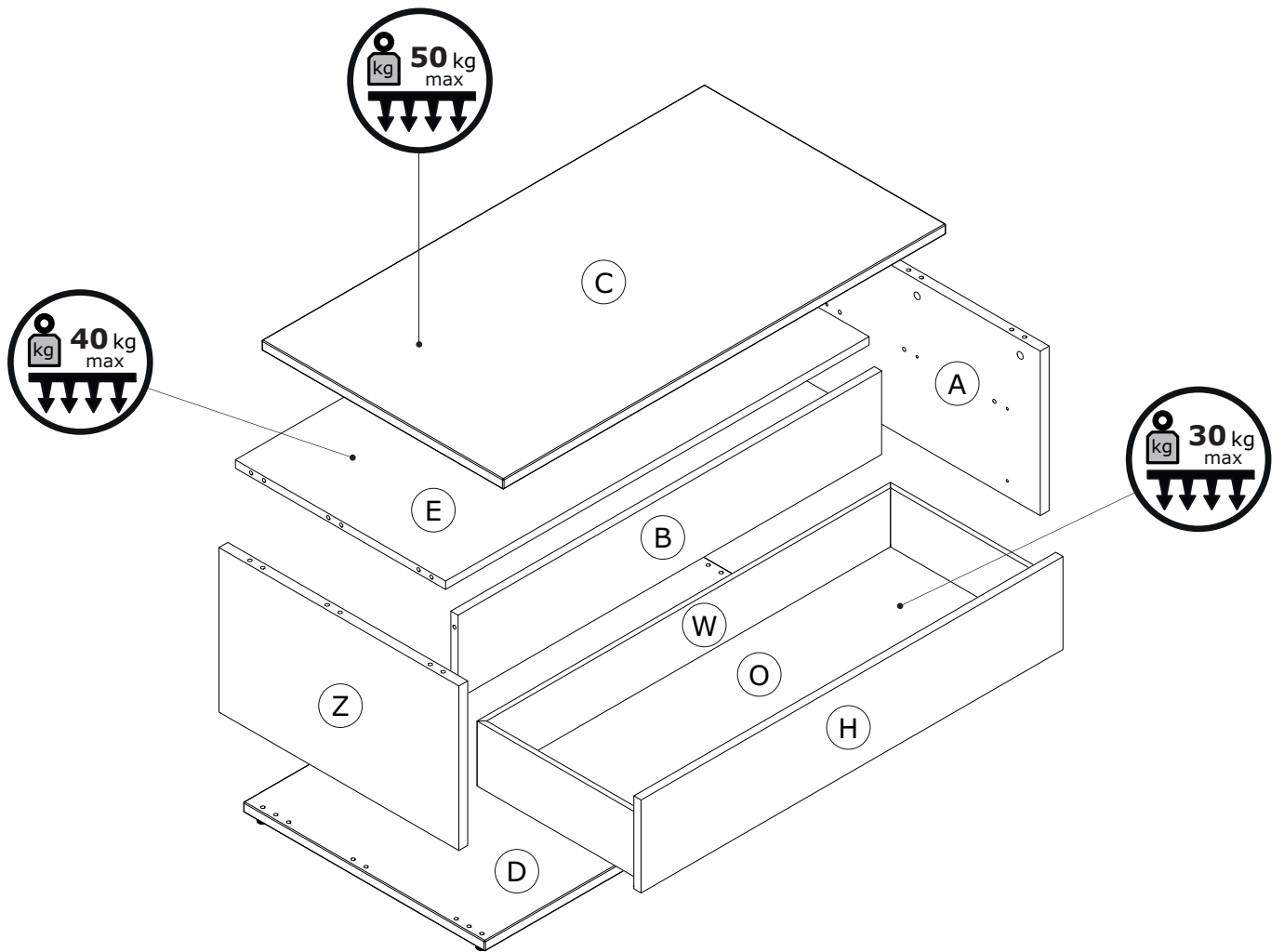
V45
x6



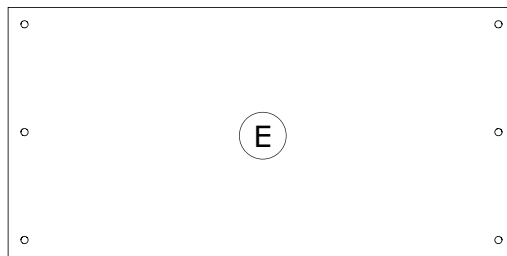
H1
x22



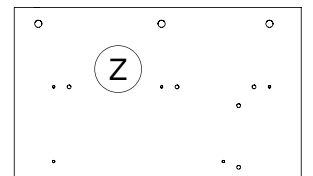
G154
x6



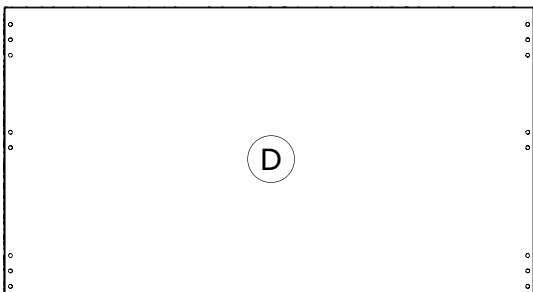
CA3631
1100x600x22mm



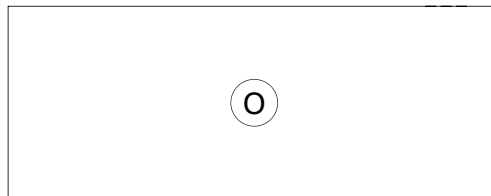
PI7211
1052x522x18mm



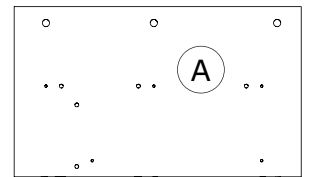
FI8784
596x354x22mm



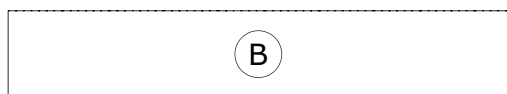
BA2212
1100x600x22mm



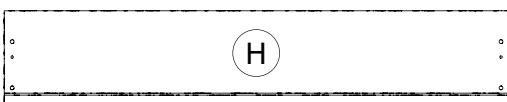
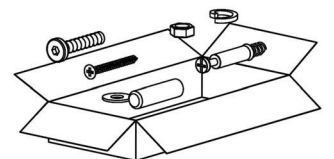
SH3402
1014x401x2mm



FI8783
596x354x22mm



TR2281
1052x180x18mm

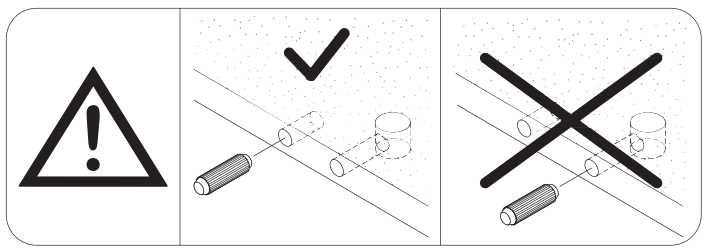
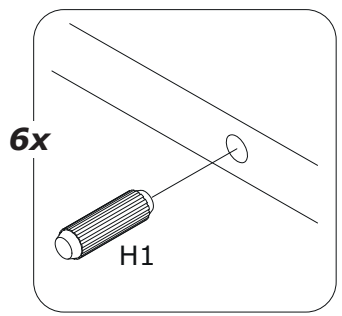
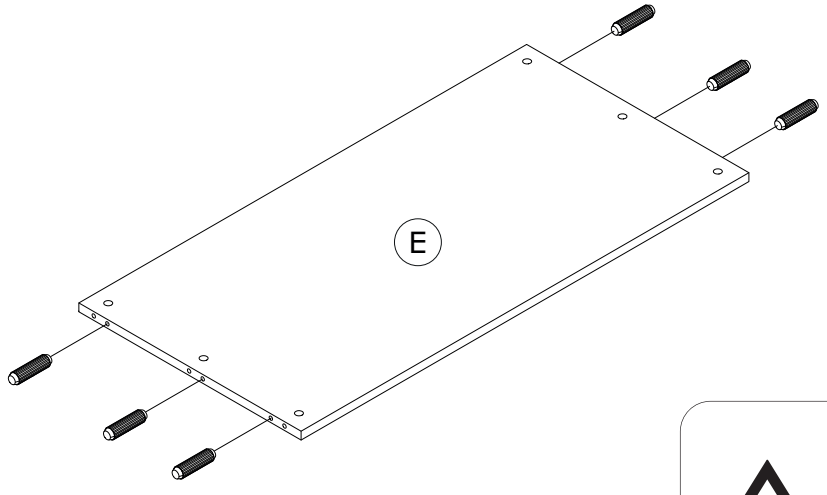
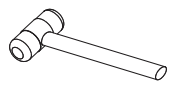


CS3443
1048x200x18mm

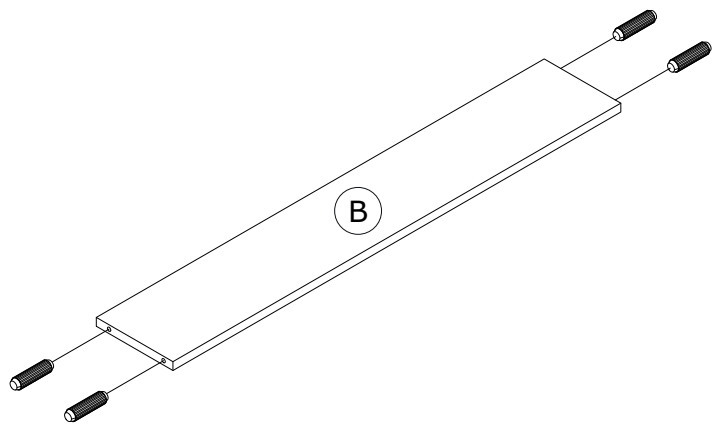
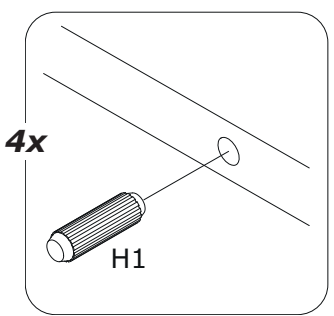
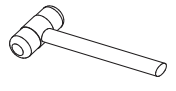


OF0591
400x1027x400mm H.140mm

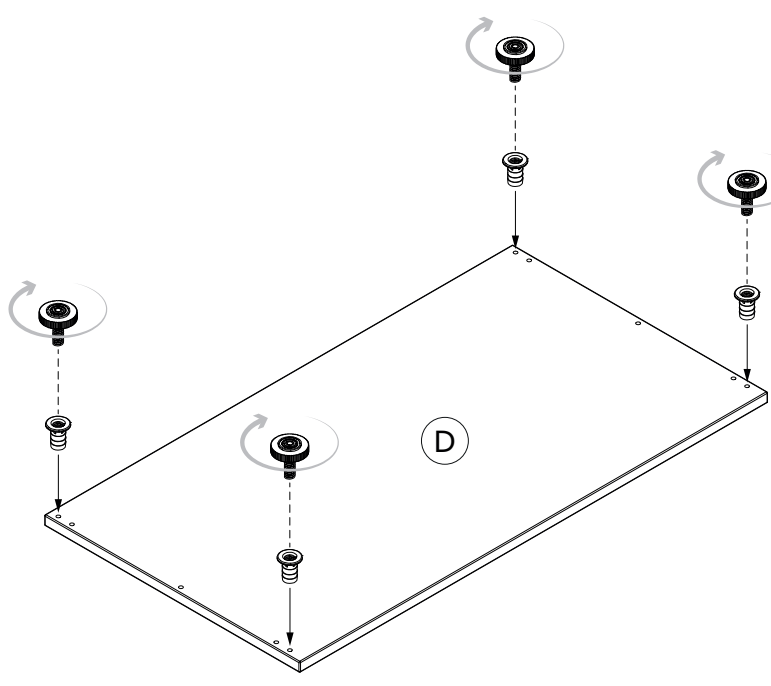
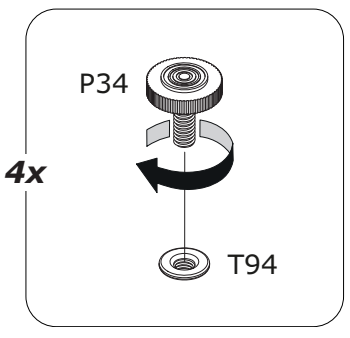
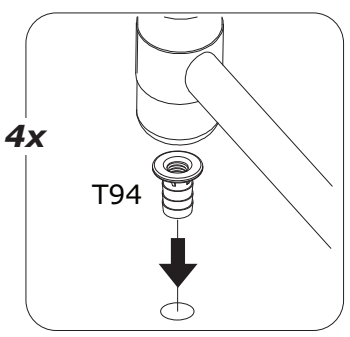
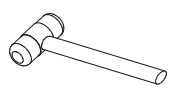
1



2



3



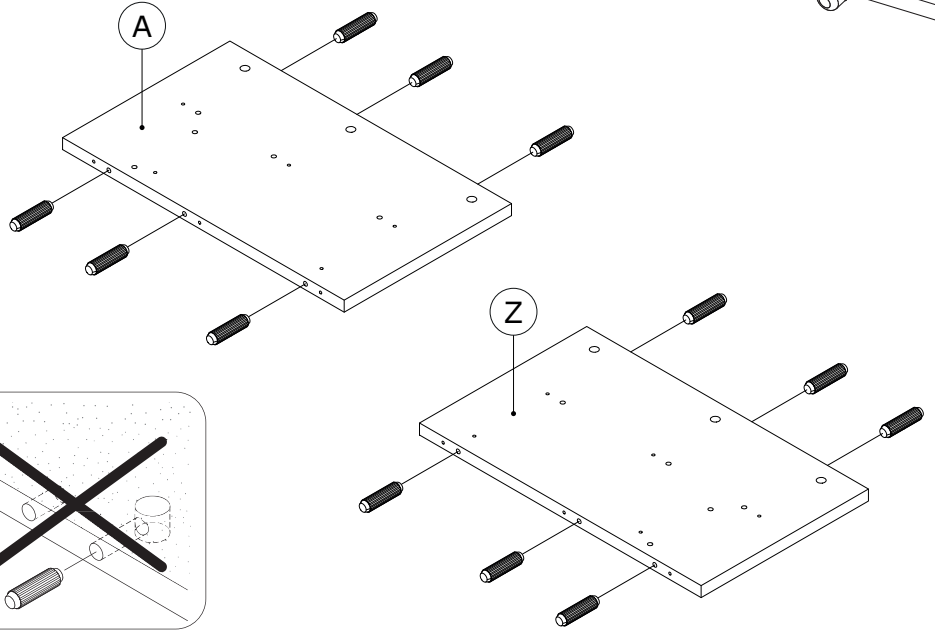
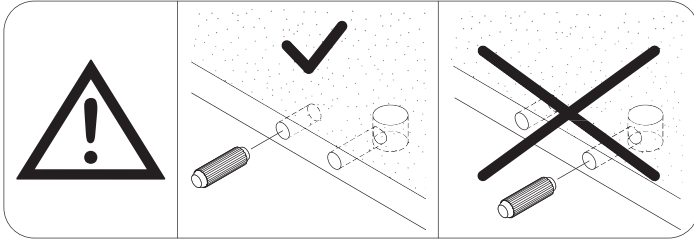
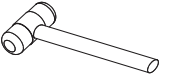
4

12x

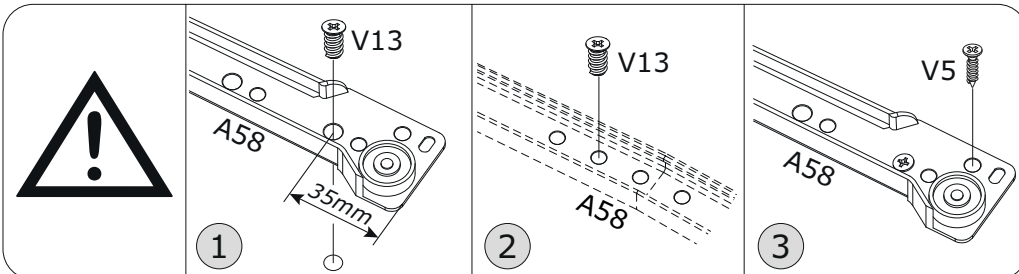
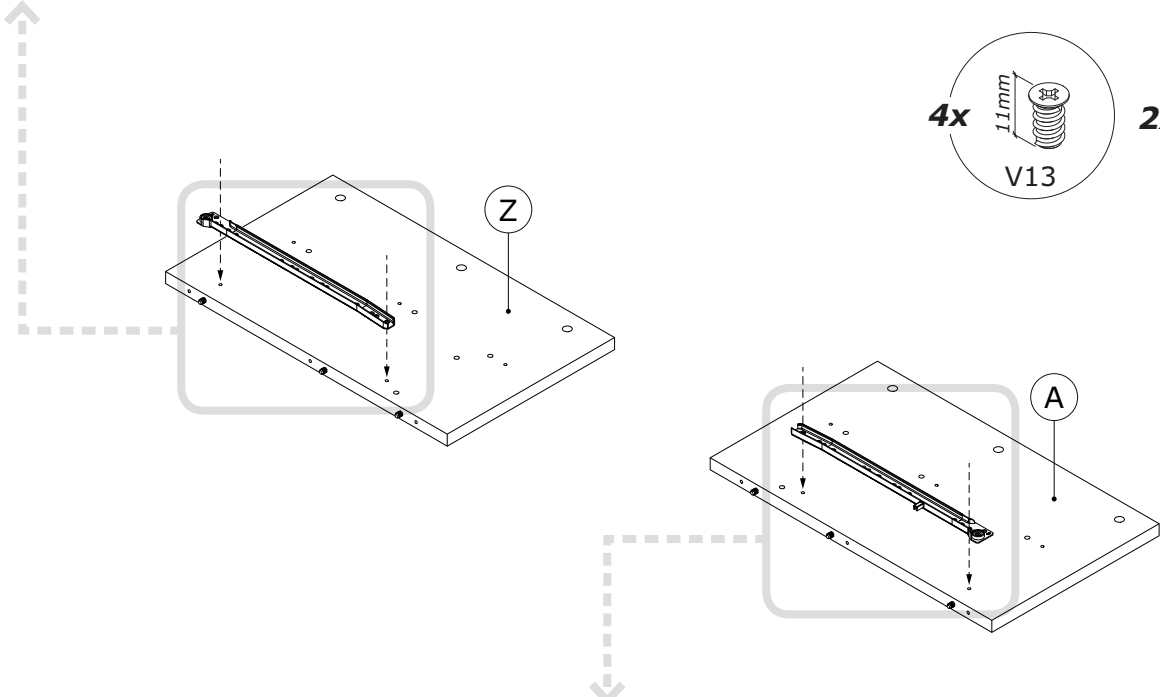
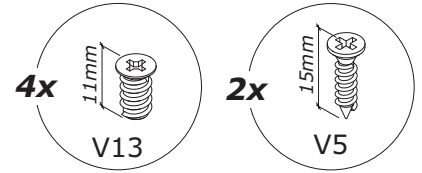
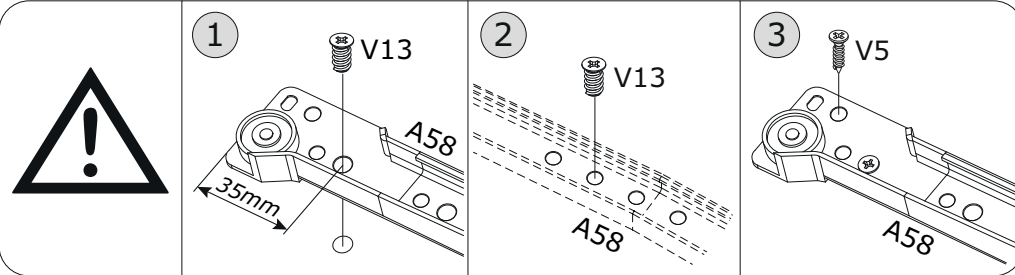
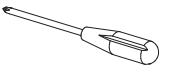
H1

A

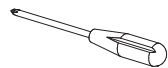
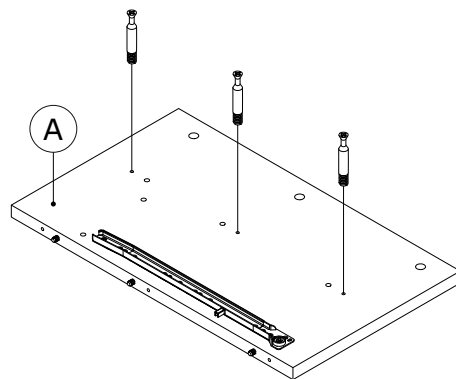
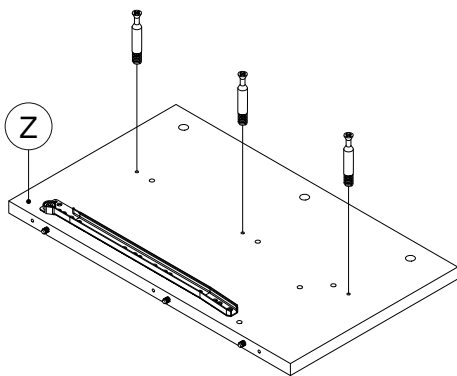
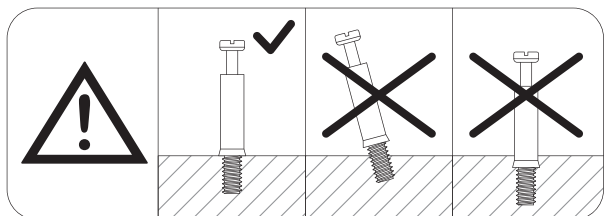
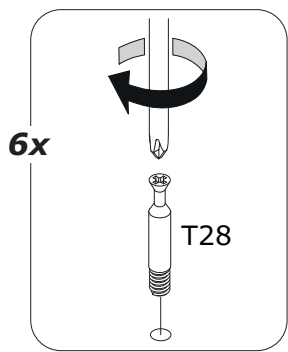
Z



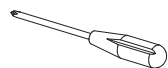
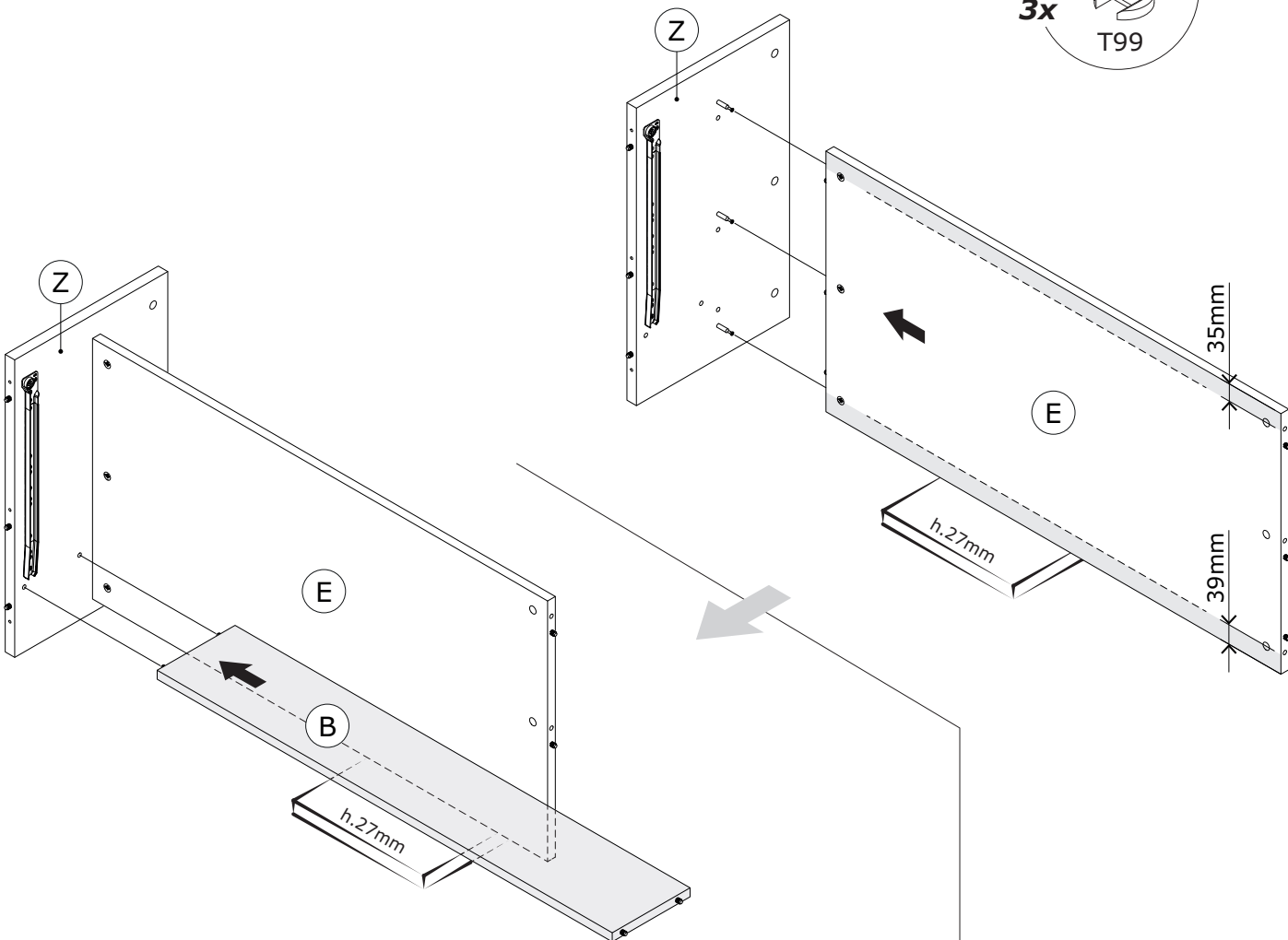
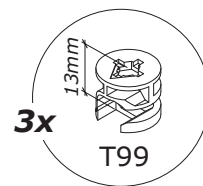
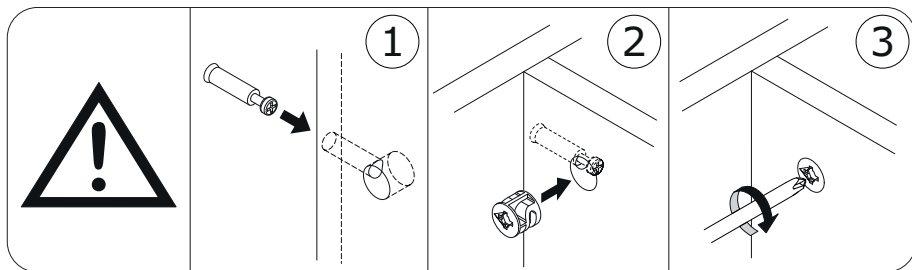
5



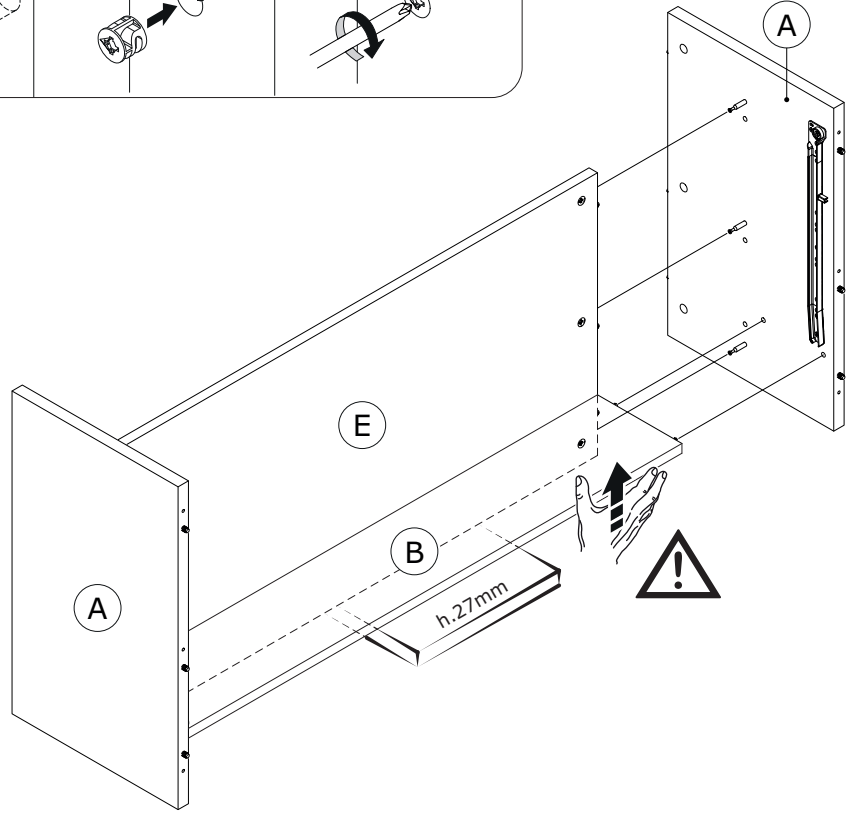
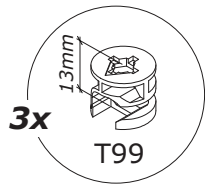
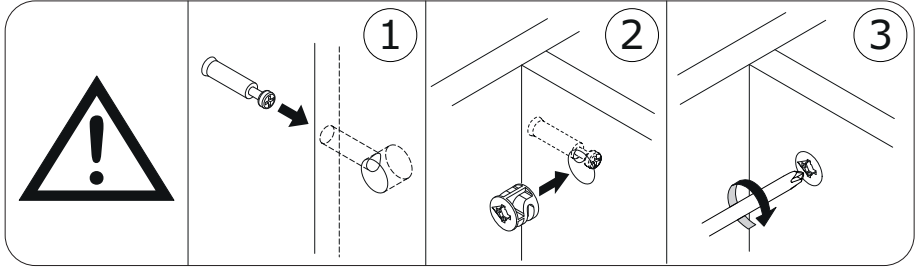
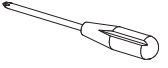
6



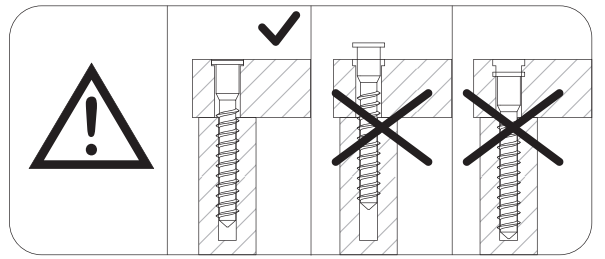
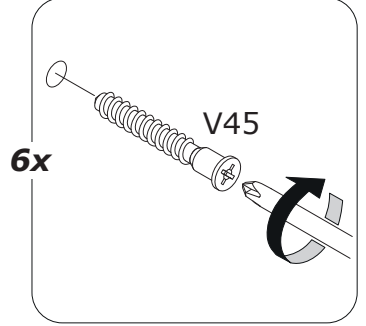
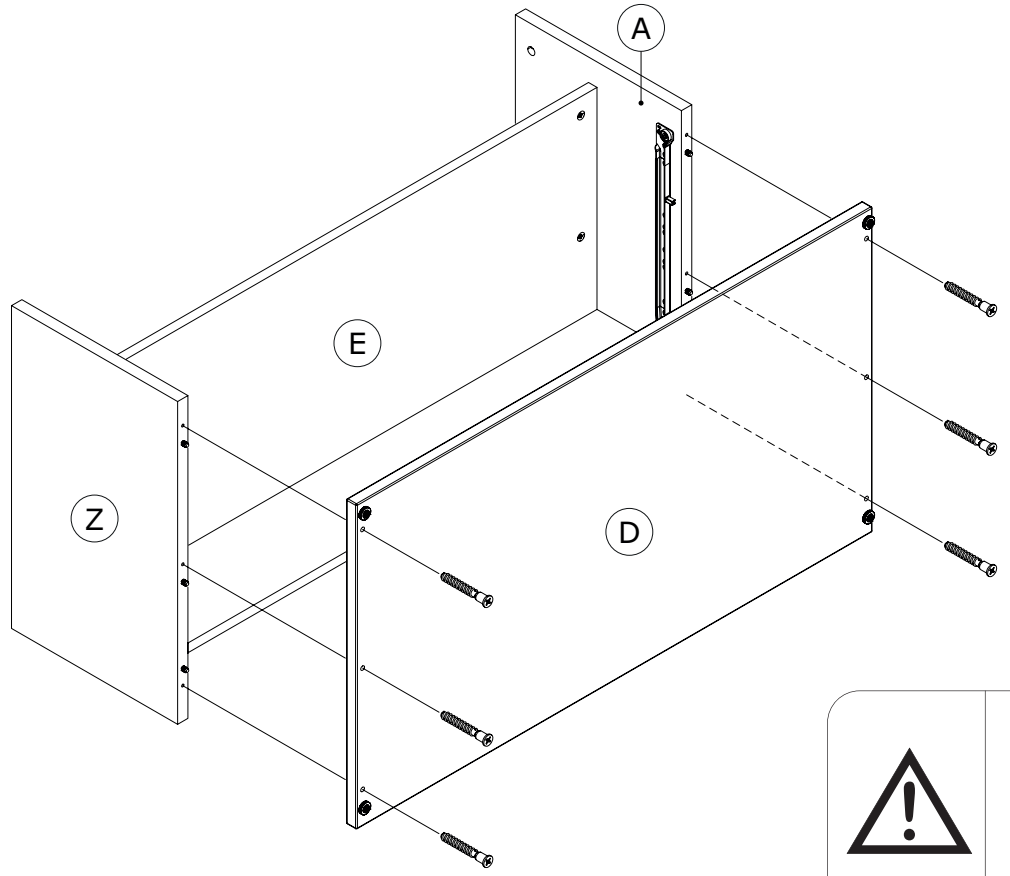
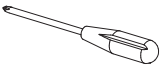
7

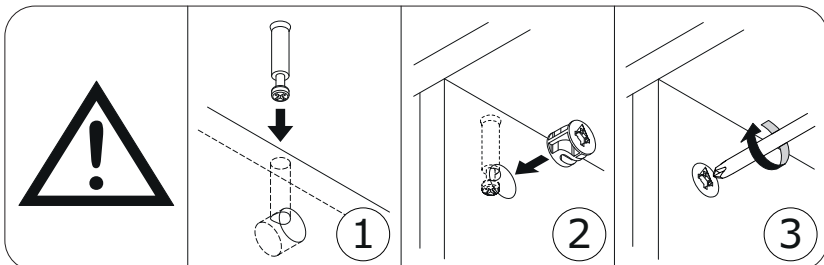
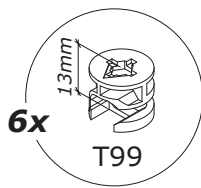
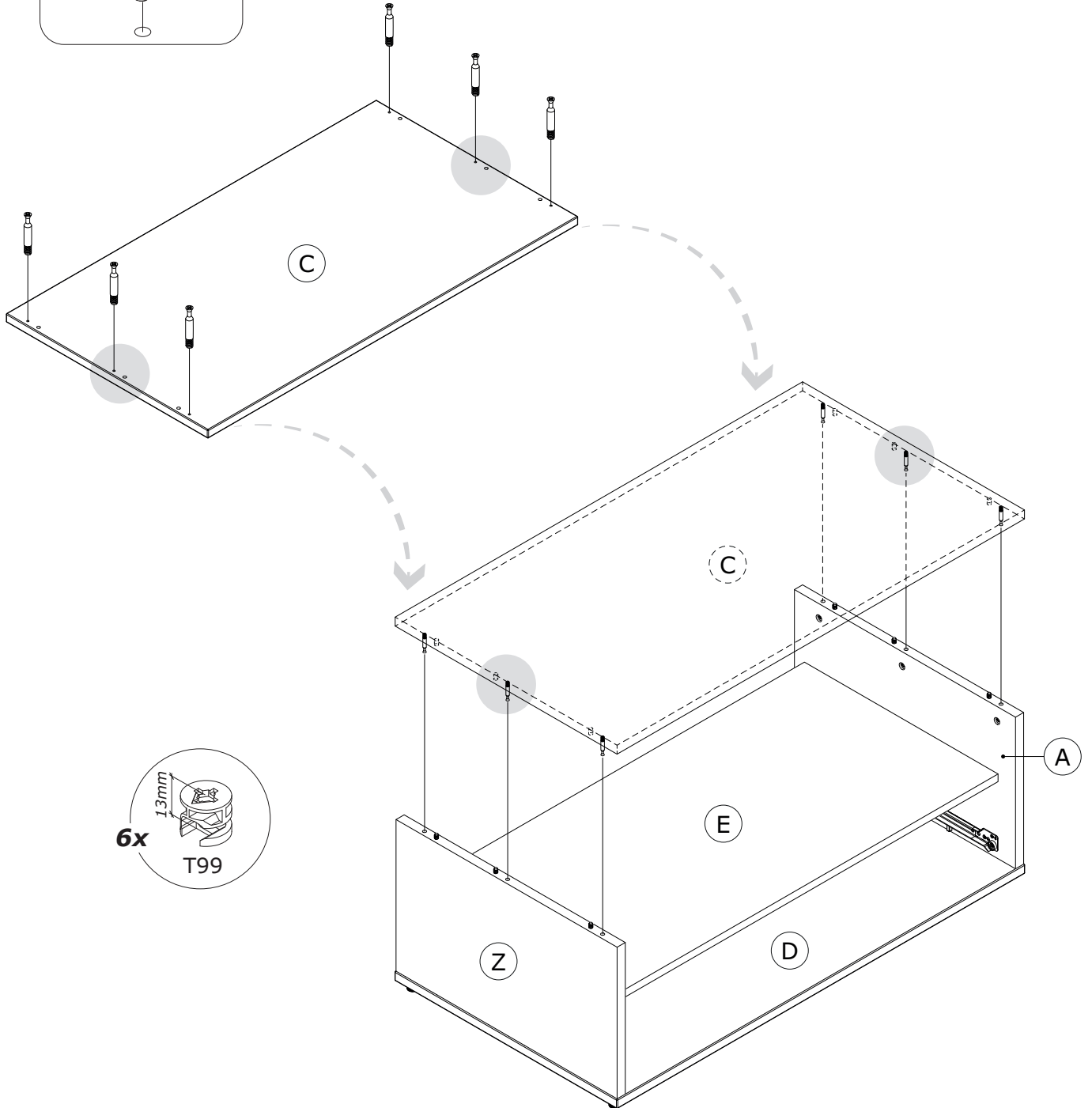
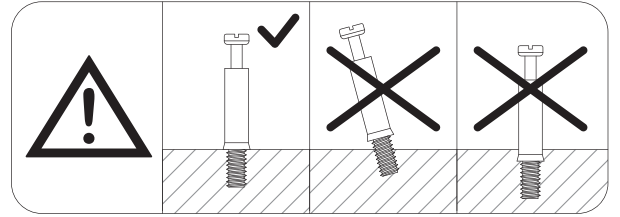
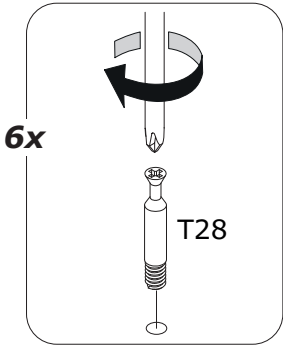
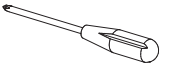


8

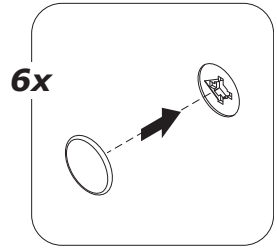
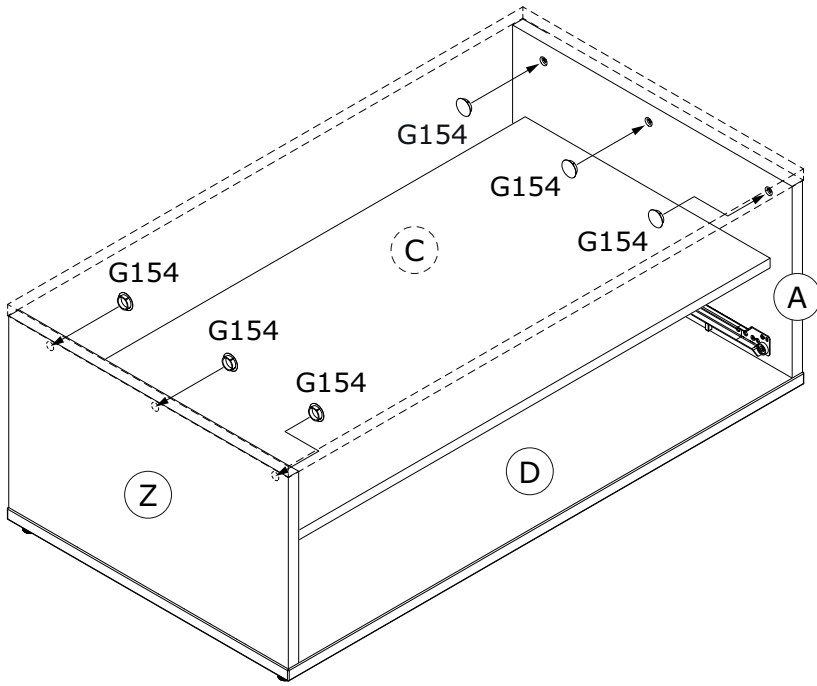
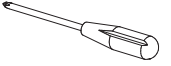


9

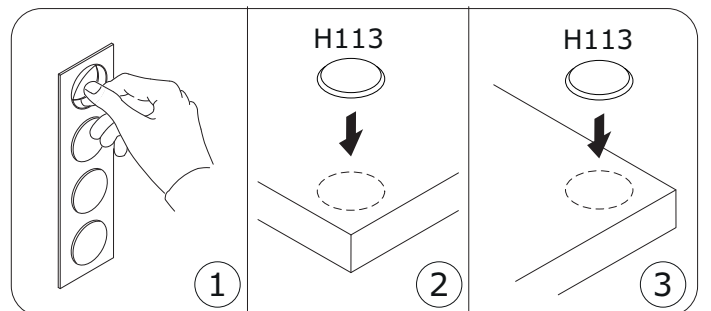
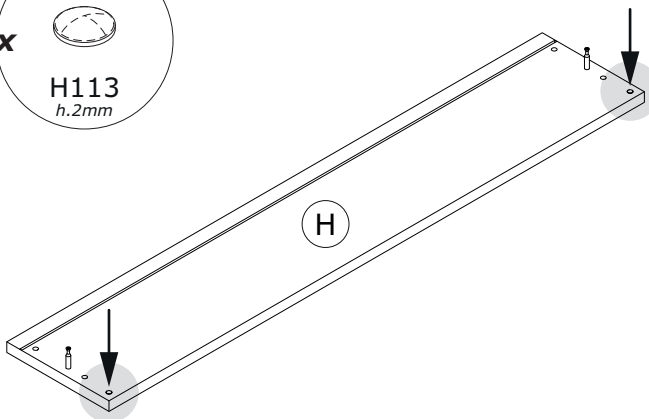
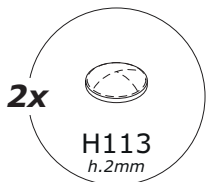
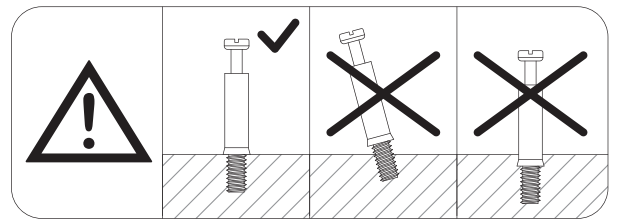
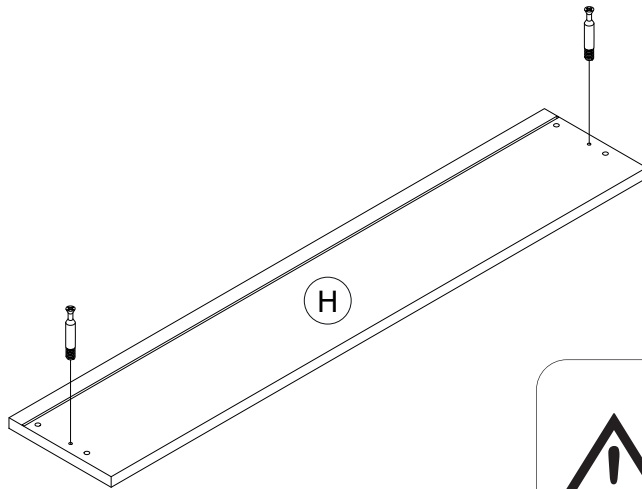
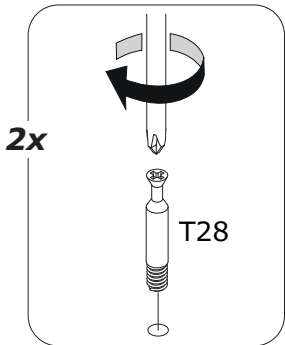
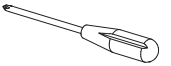




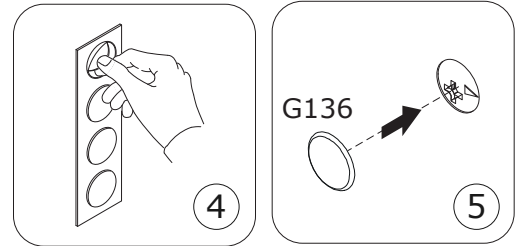
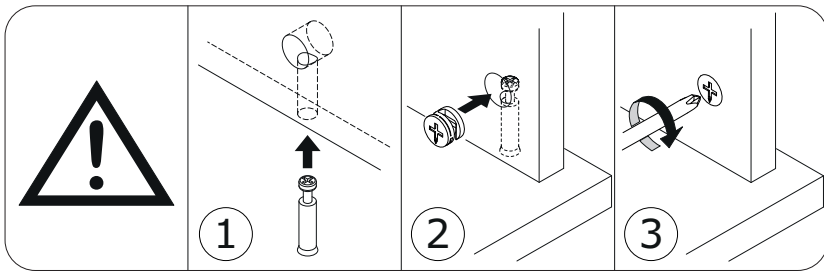
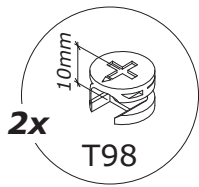
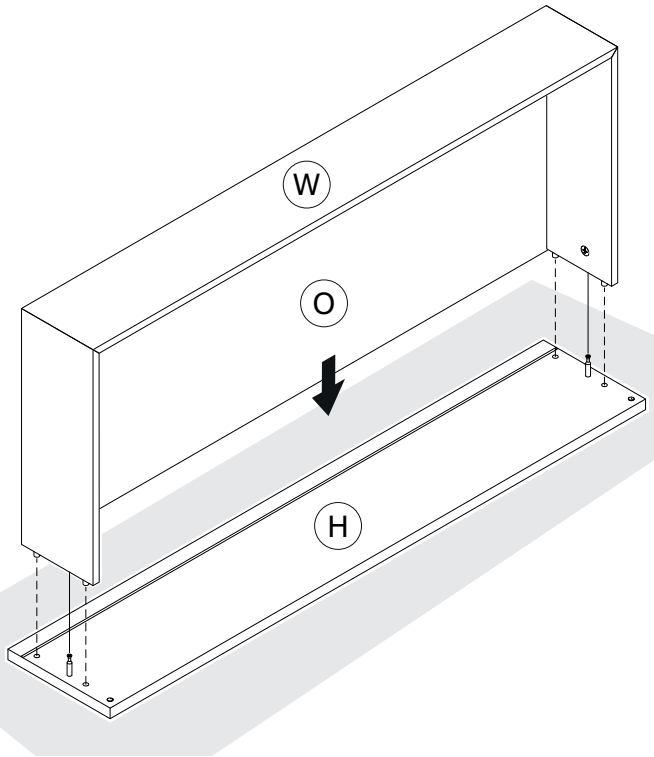
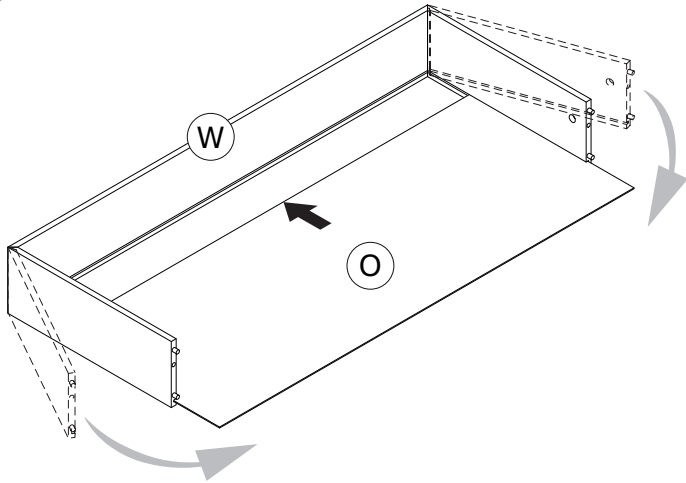
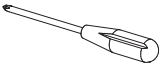
11



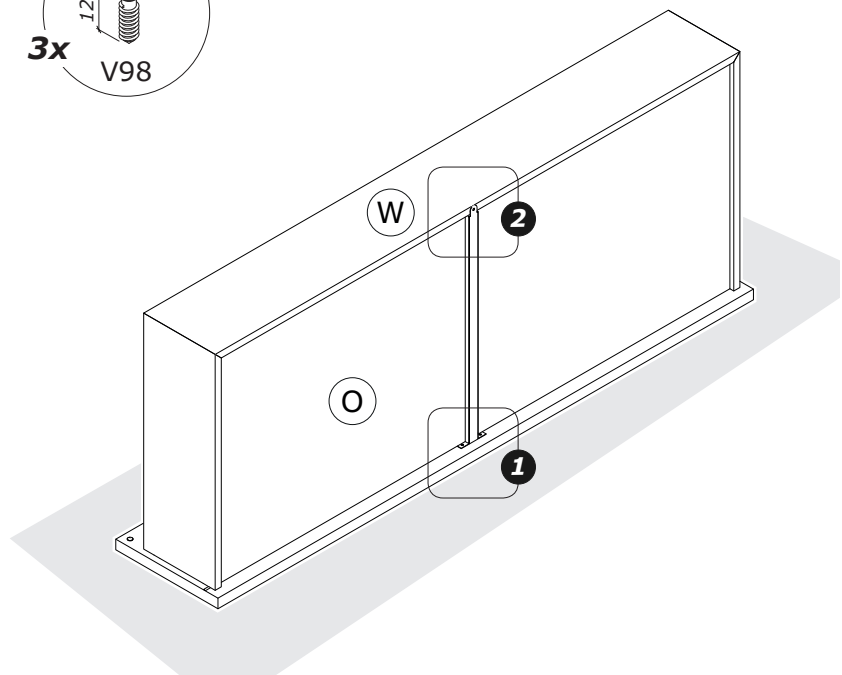
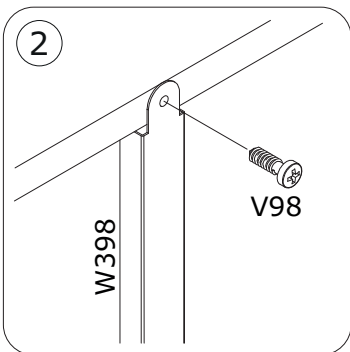
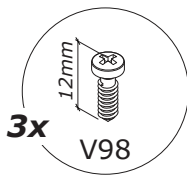
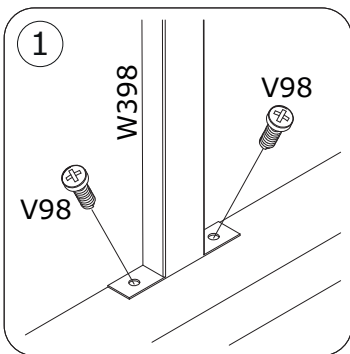
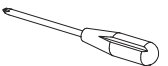
12



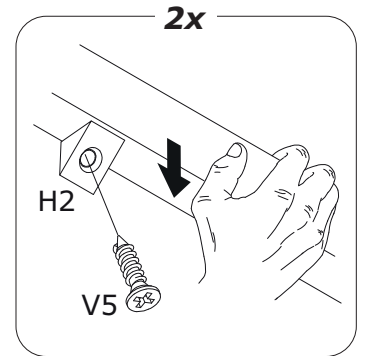
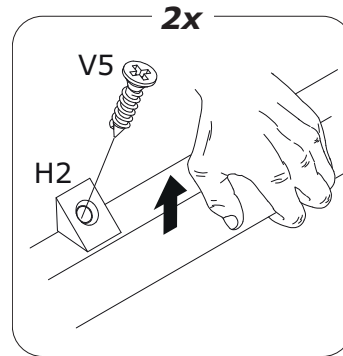
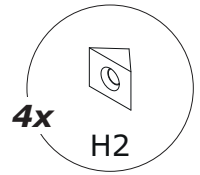
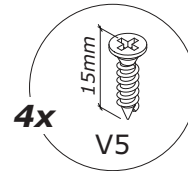
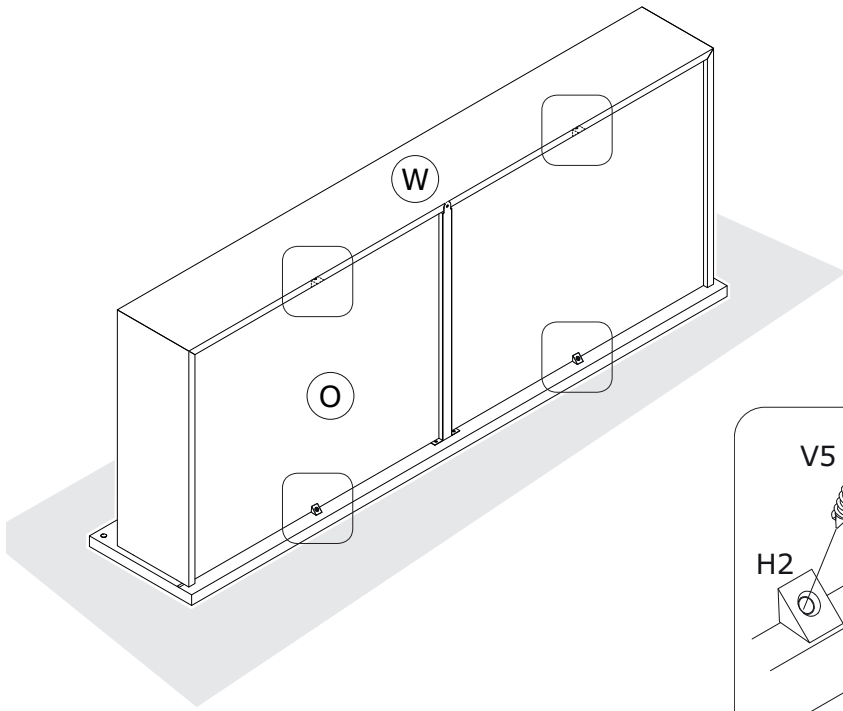
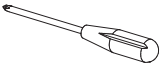
13



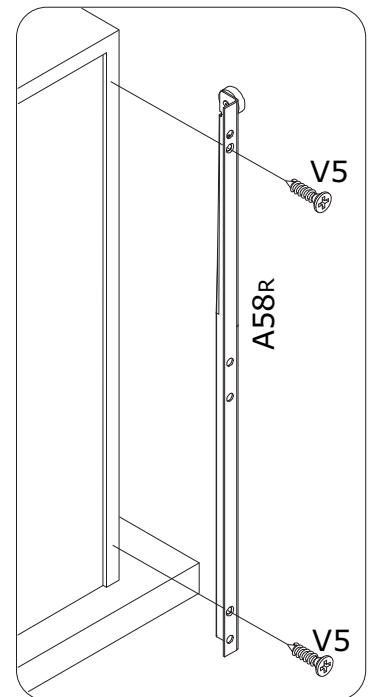
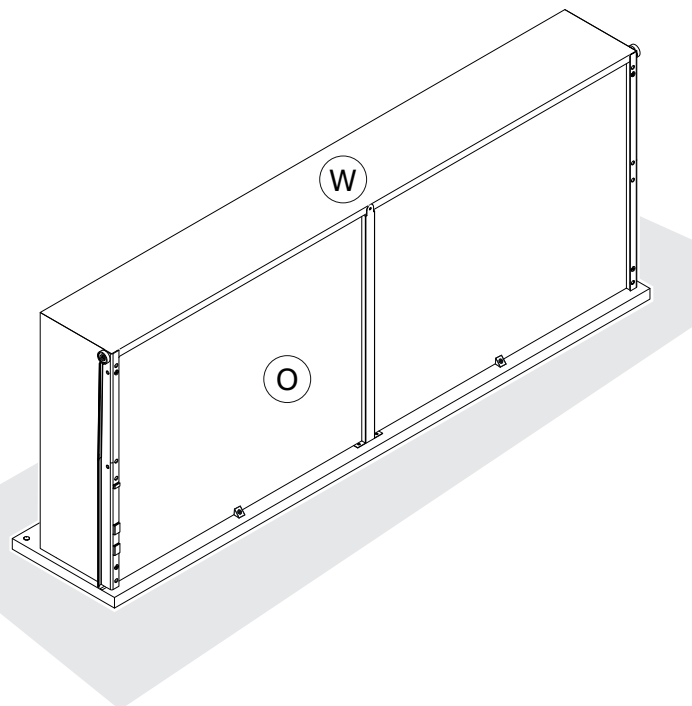
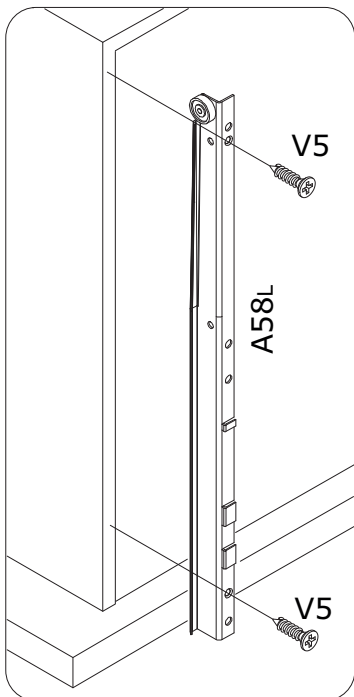
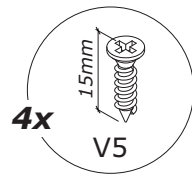
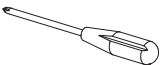
14



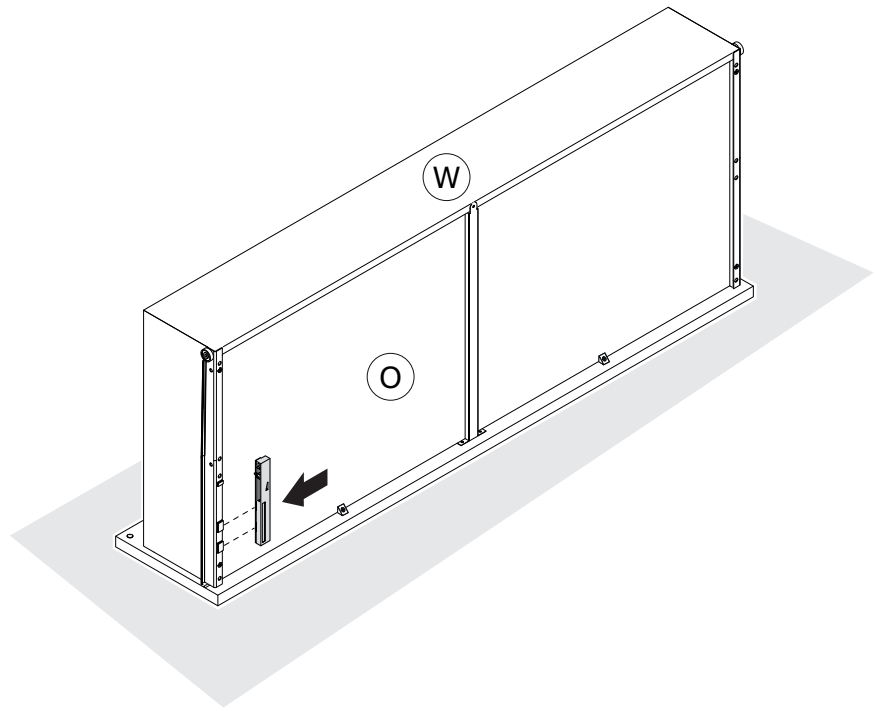
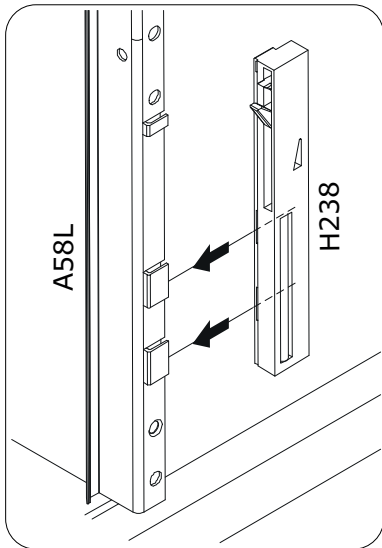
15



16



17



18

