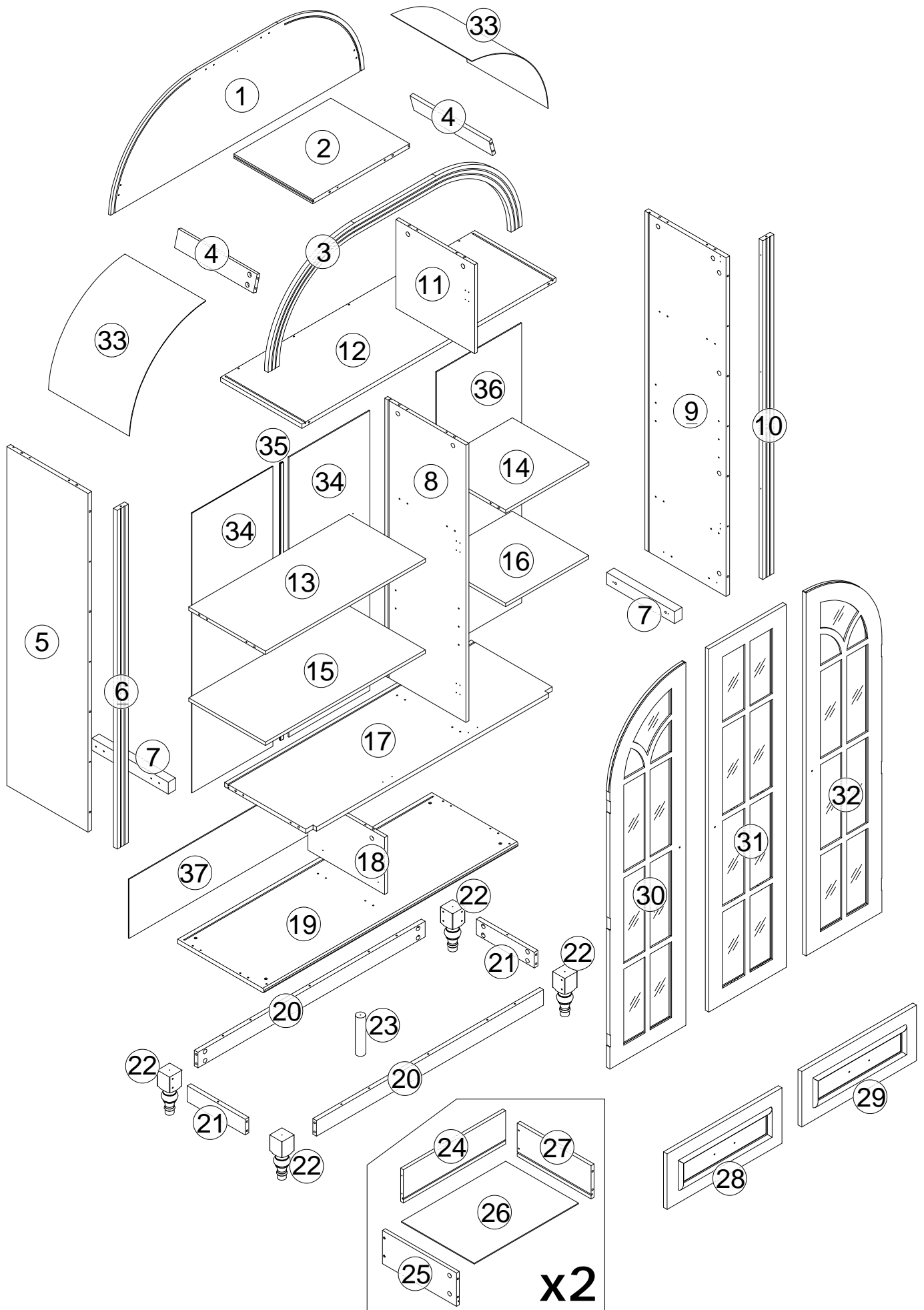
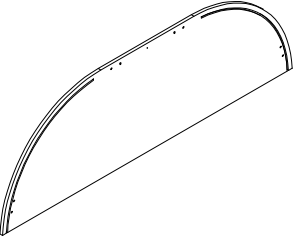
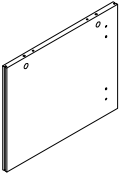
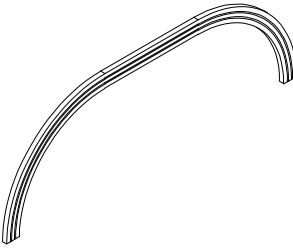
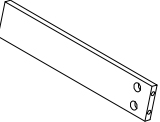
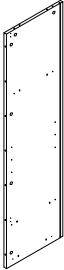

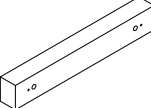
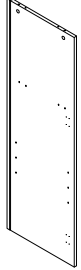
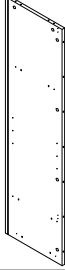

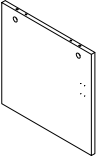
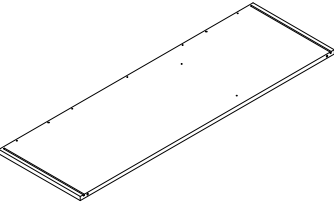
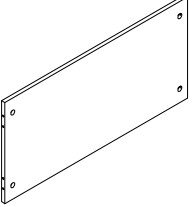
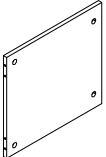
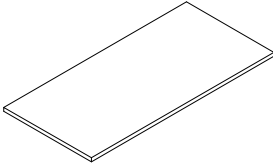
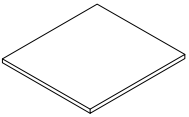
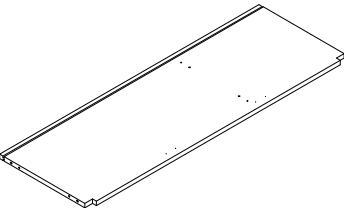
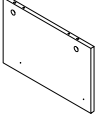
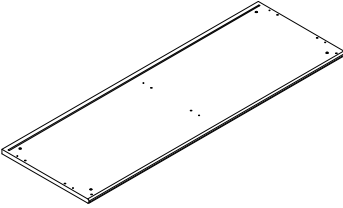
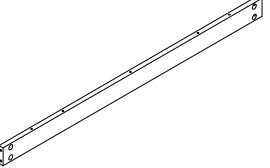
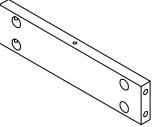
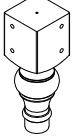

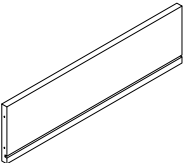


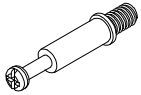
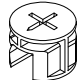

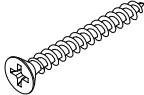
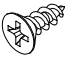

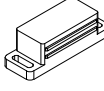

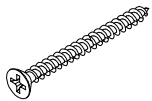


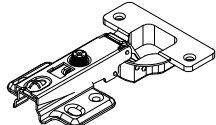

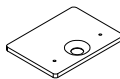




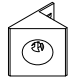

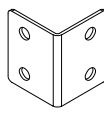
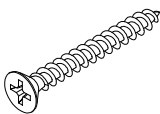
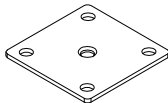


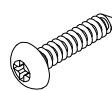
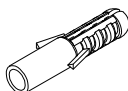
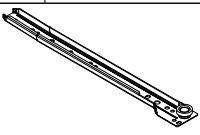
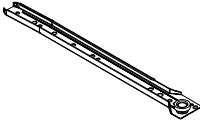

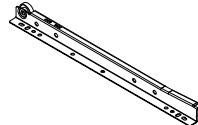
Installation instruction



Parts and Operation Elements

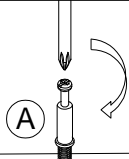
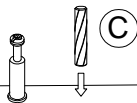
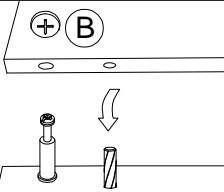
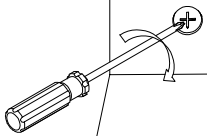
			
① 1 pc	② 1 pc	③ 1 pc	④ 2 pcs
			
⑤ 1 pc	⑥ 1 pc	⑦ 2 pcs	⑧ 1 pc
			
⑨ 1 pc	⑩ 1 pc	⑪ 1 pc	⑫ 1 pc
			
⑬ 1 pc	⑭ 1 pc	⑮ 1 pc	⑯ 1 pc
			
⑰ 1 pc	⑱ 1 pc	⑲ 1 pc	⑳ 2 pcs
			
㉑ 2 pcs	㉒ 4 pcs	㉓ 1 pc	㉔ 2 pcs

Hardware

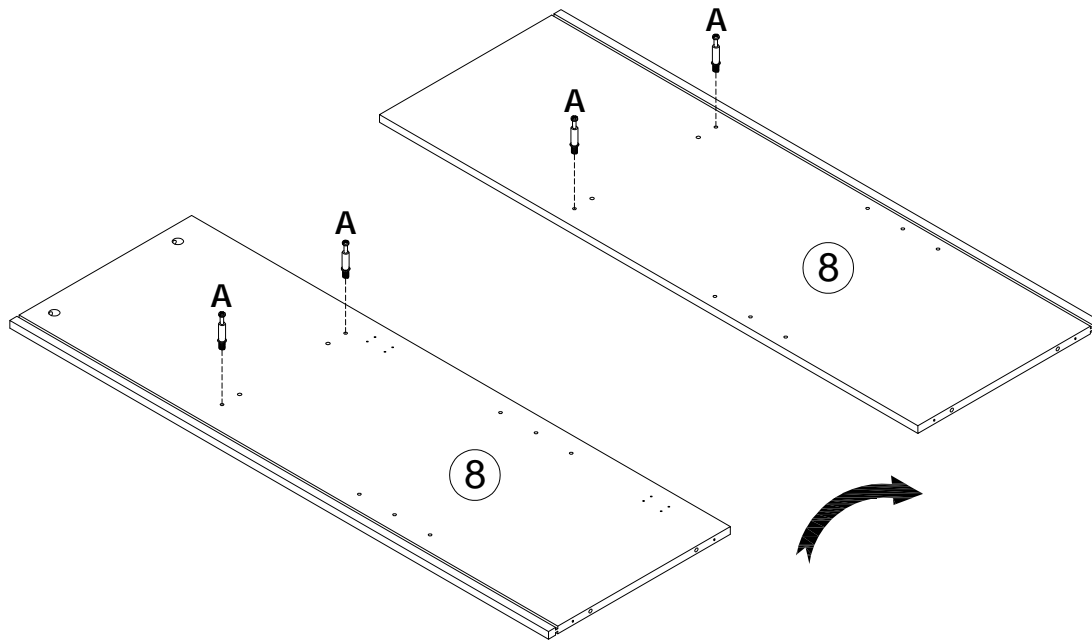
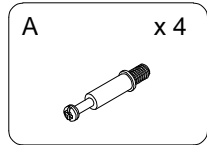
									
Cam bolt		Cam Lock		6x30mm Wood dowel		4x35mm screw		3.5x10mm screw	
A	62+4 pcs	B	62+4 pcs	C	55+4 pcs	D	29+3 pcs	E	16+2 pcs
									
3x12mm screw		Bott hinge		3x14mm screw		Plastic magnet		Adjustable footpad	
F	58+4 pcs	G	6 pcs	H	24+2 pcs	J	4 pcs	K	1 pc
									
4x60mm screw		3x30mm screw		Metal dowel		Hinge		4x12mm screw	
L	8 pcs	M	5 pcs	N	8 pcs	P	3 pcs	Q	18+2 pcs
									
Magenetic sheet		Door handle		4x16mm screw		Draner handle		4x20mm screw	
R	6 pcs	S	3 pcs	T	3 pcs	U	2 pcs	V	4 pcs
									
Back bracket		3x12mm screw		Corner fiking patch		5x40mm screw		Middle leg fixing plate	
W	16 pcs	X	5 pcs	Y	4 pcs	Z	4 pcs	AS	1 pc
									
4x12mm screw		Anti-tipping strop		4x35mm screw		30mmwall plug		Drawer slide 300mm	
BS	5 pcs	CS	1 pc	DS	1 pc	ES	1 pc	CL	2 pcs
									
Drawer slide 300mm		Drawer slide 300mm		Drawer slide 300mm					
CR	2 pcs	DL	2 pcs	DR	2 pcs				



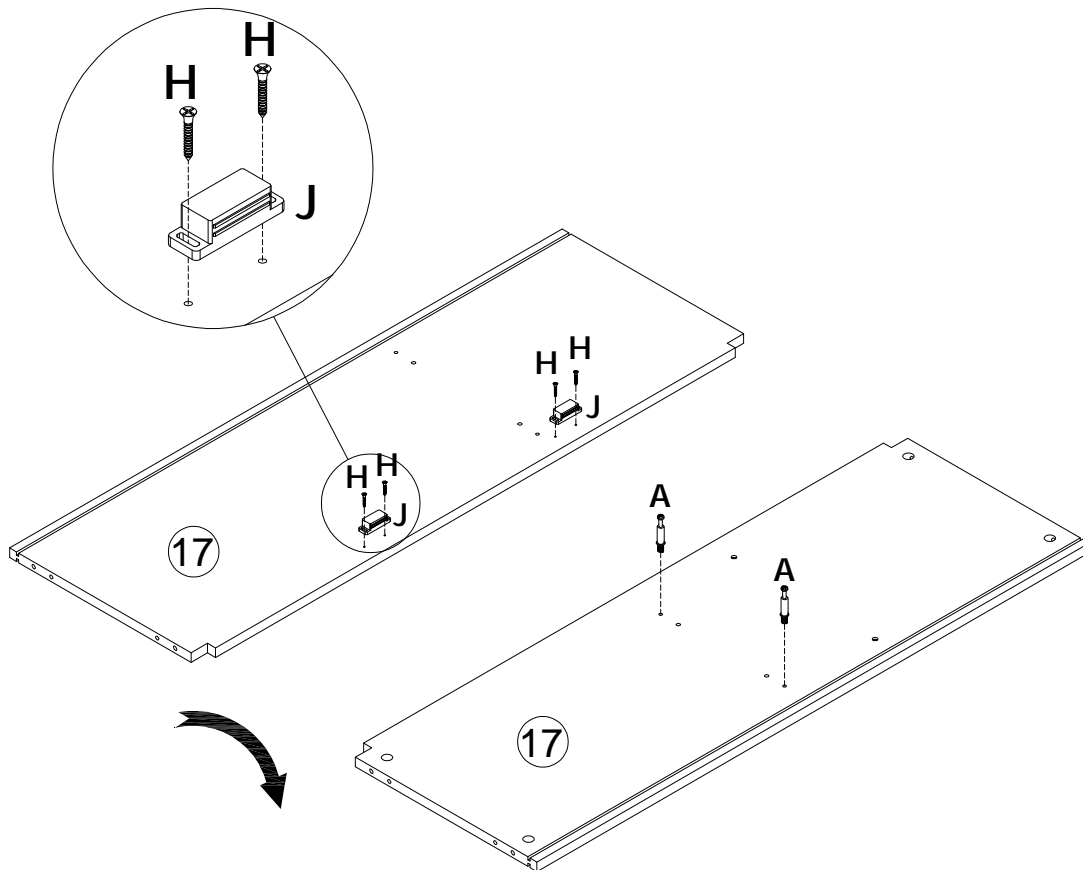
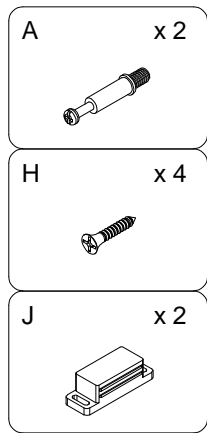
SPARE BAG
THE SPARE BAG INCLUDED EXTRA HARDWARE FOR DAMAGED
OR MISSING SMALL HARDWARE WHILE YOU ARE ASSEMBLING

			
Gently screw cam bolt into the threaded anchor.	Insert the wood dowel halfway into hole.	Arrow must face hole	Screw the camlock firmly into locked position.

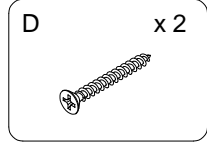
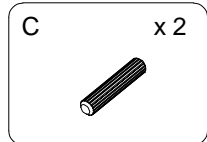
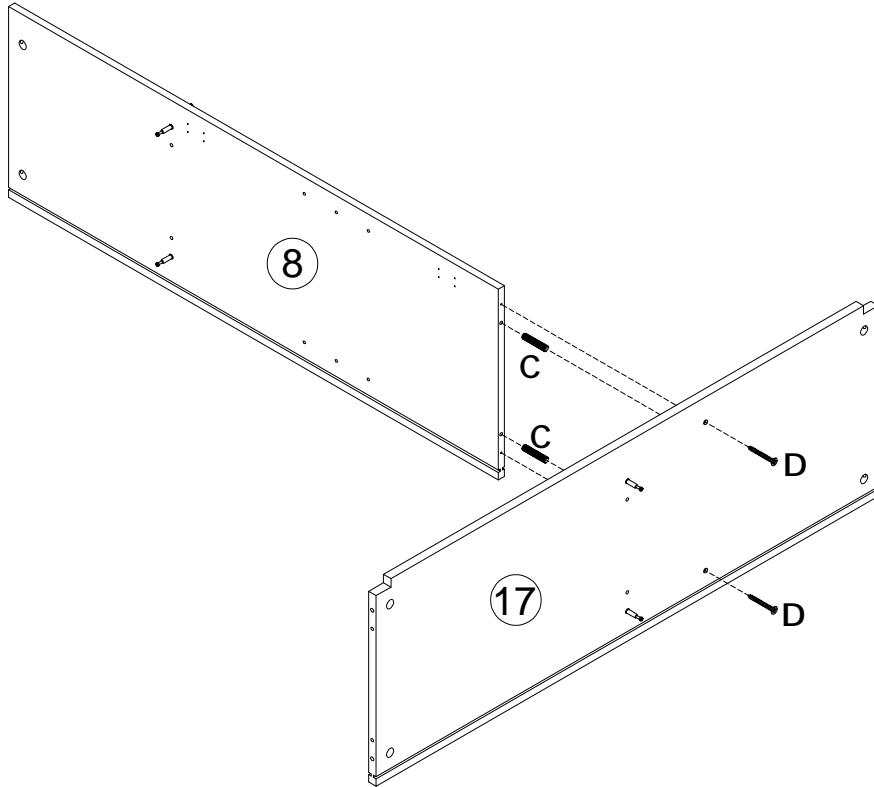
1



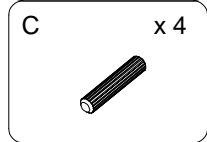
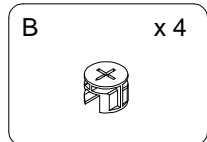
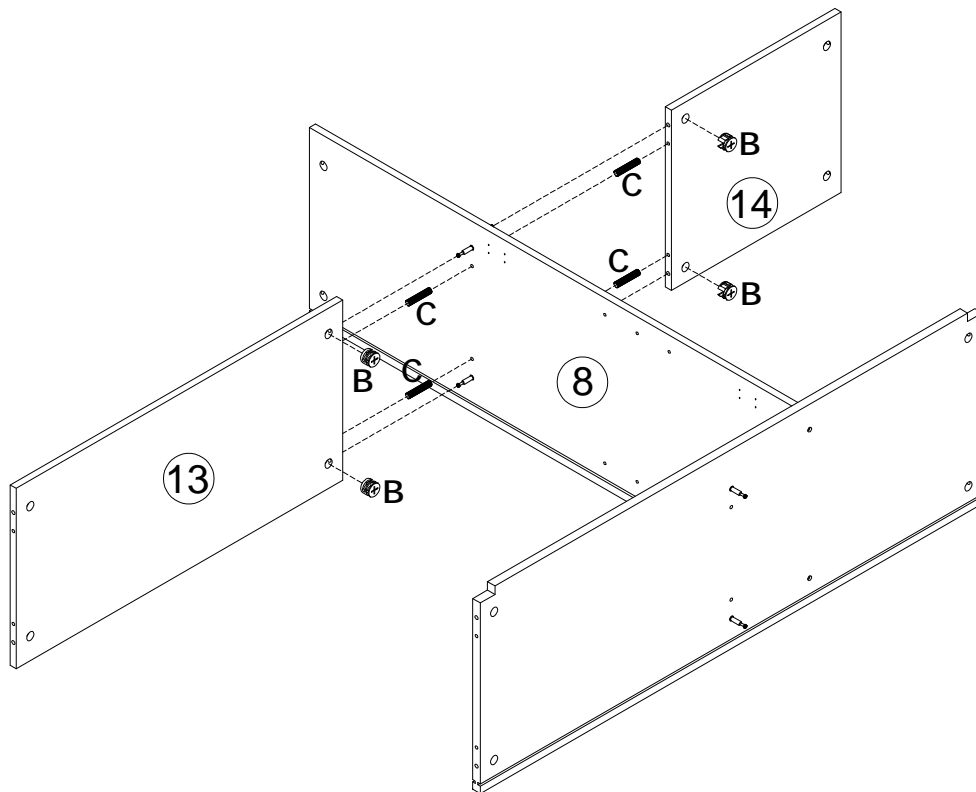
2



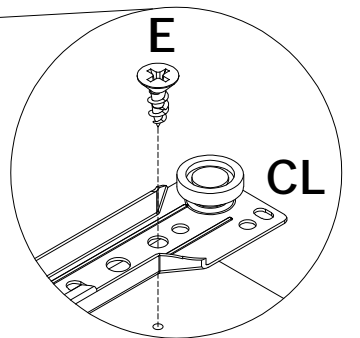
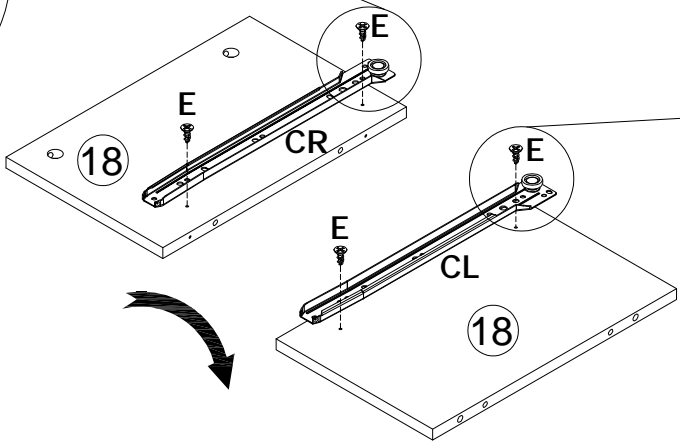
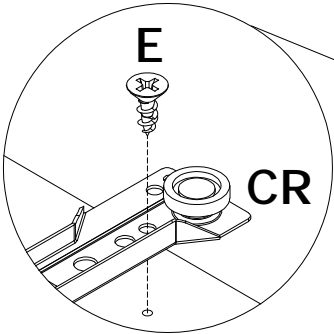
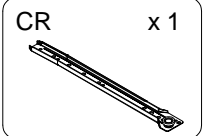
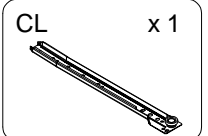
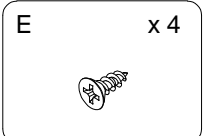
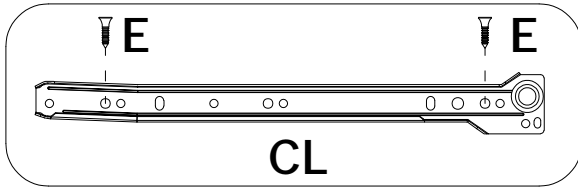
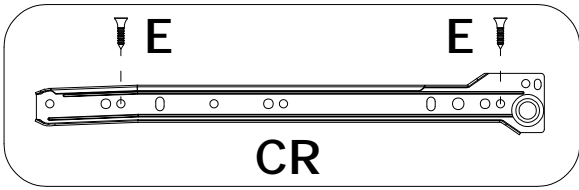
3



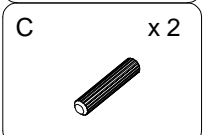
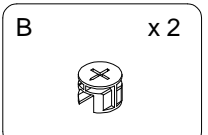
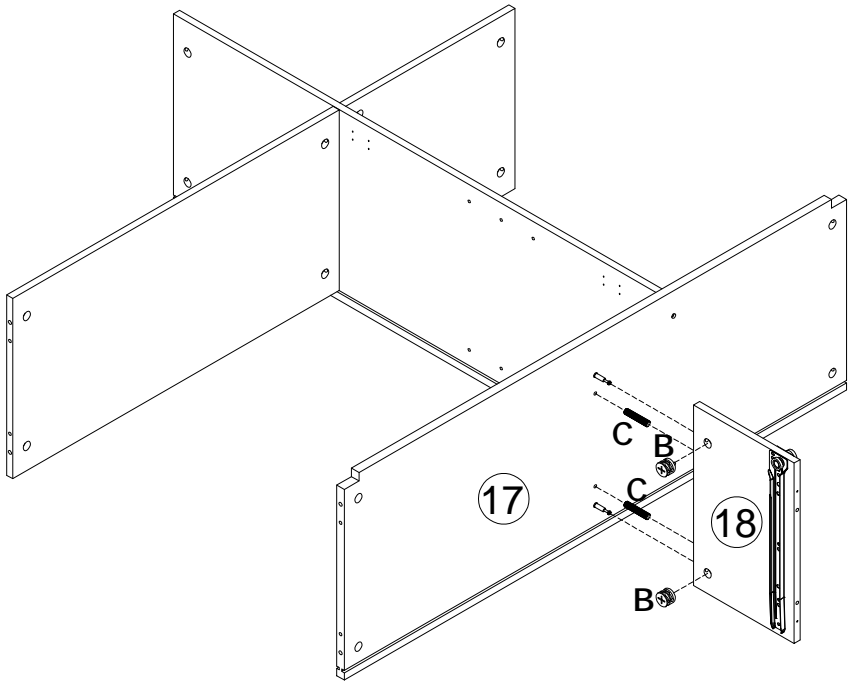
4



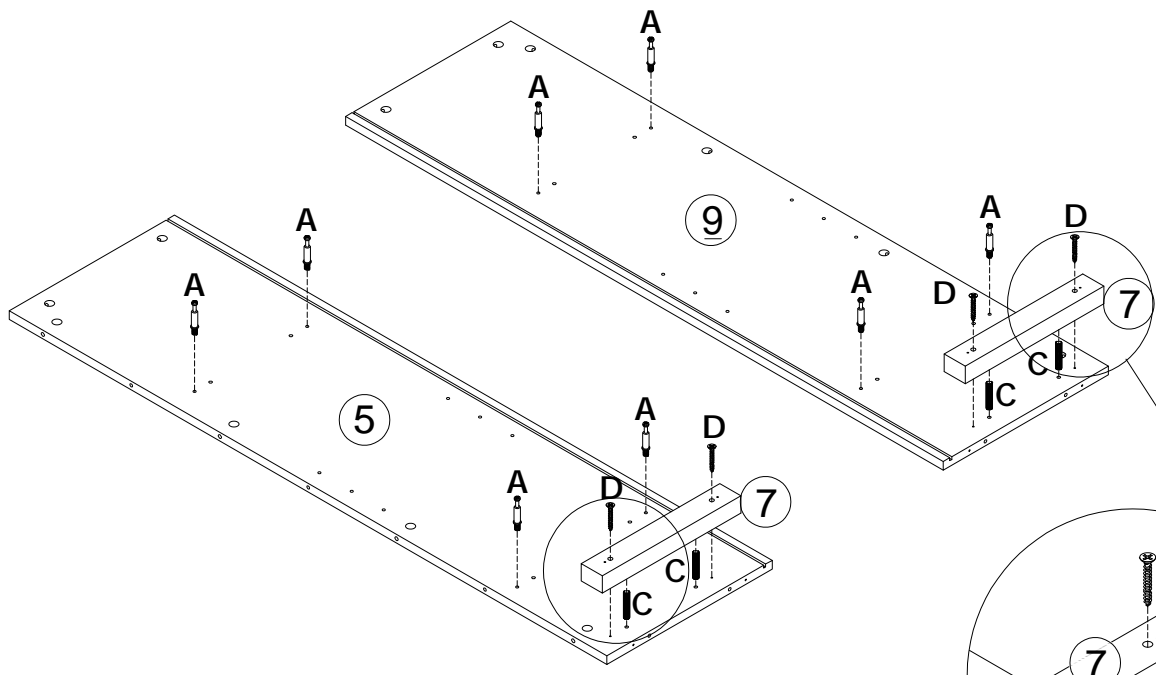
5



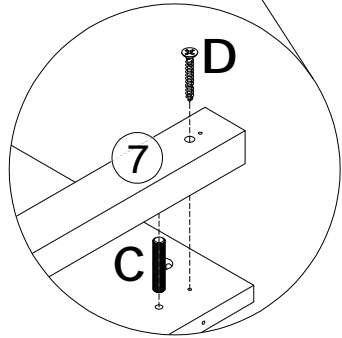
6



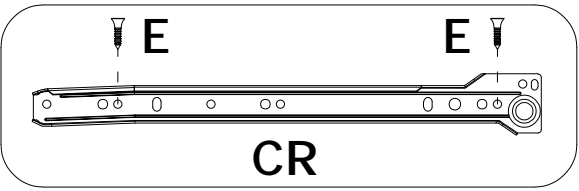
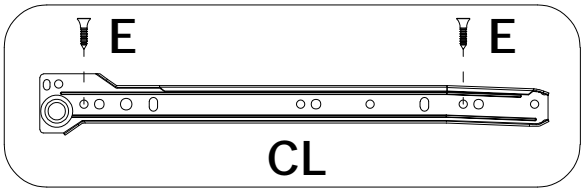
7



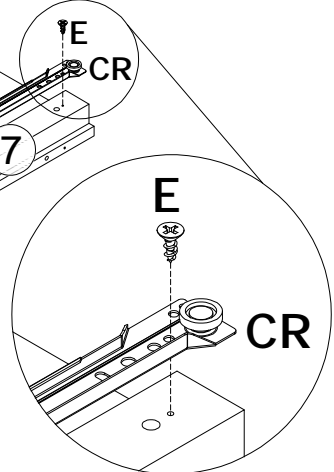
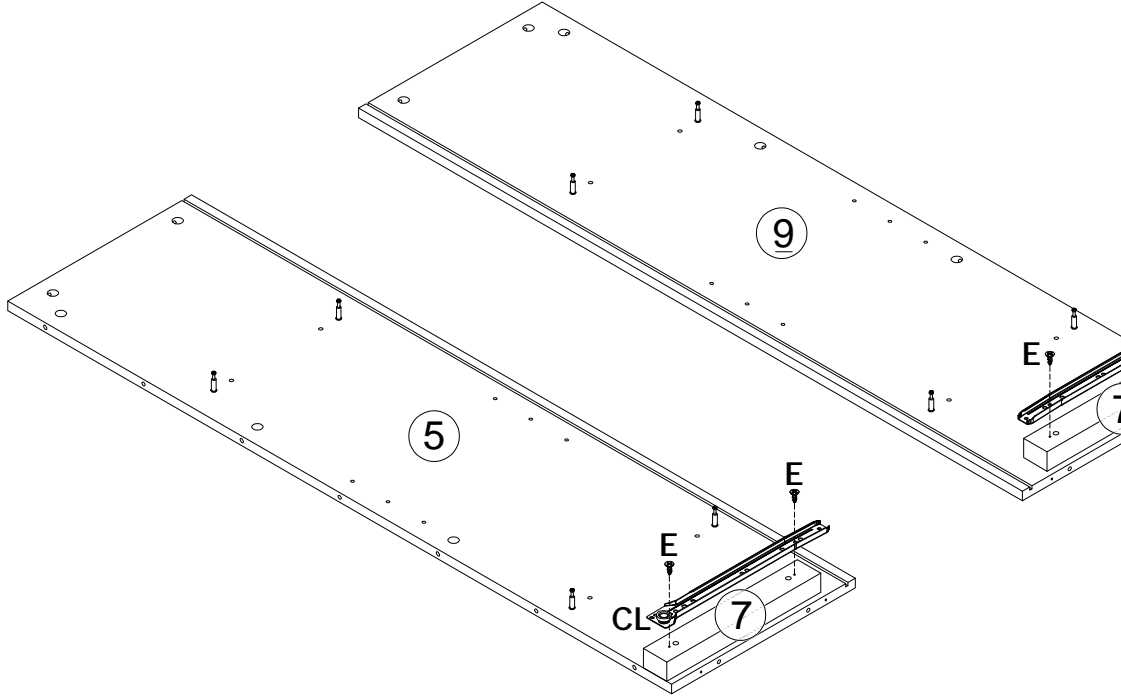
- A x 8
- C x 4
- D x 4



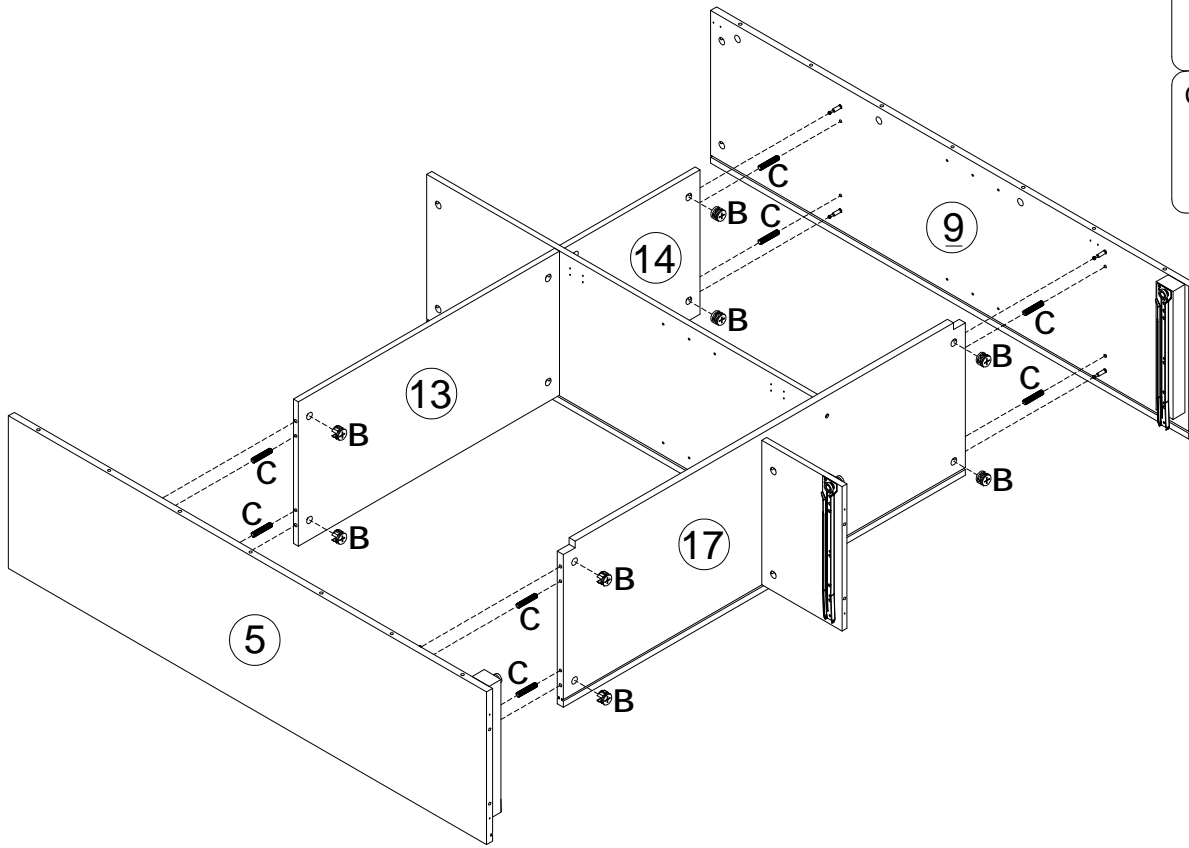
8



- E x 4
- CL x 1
- CR x 1

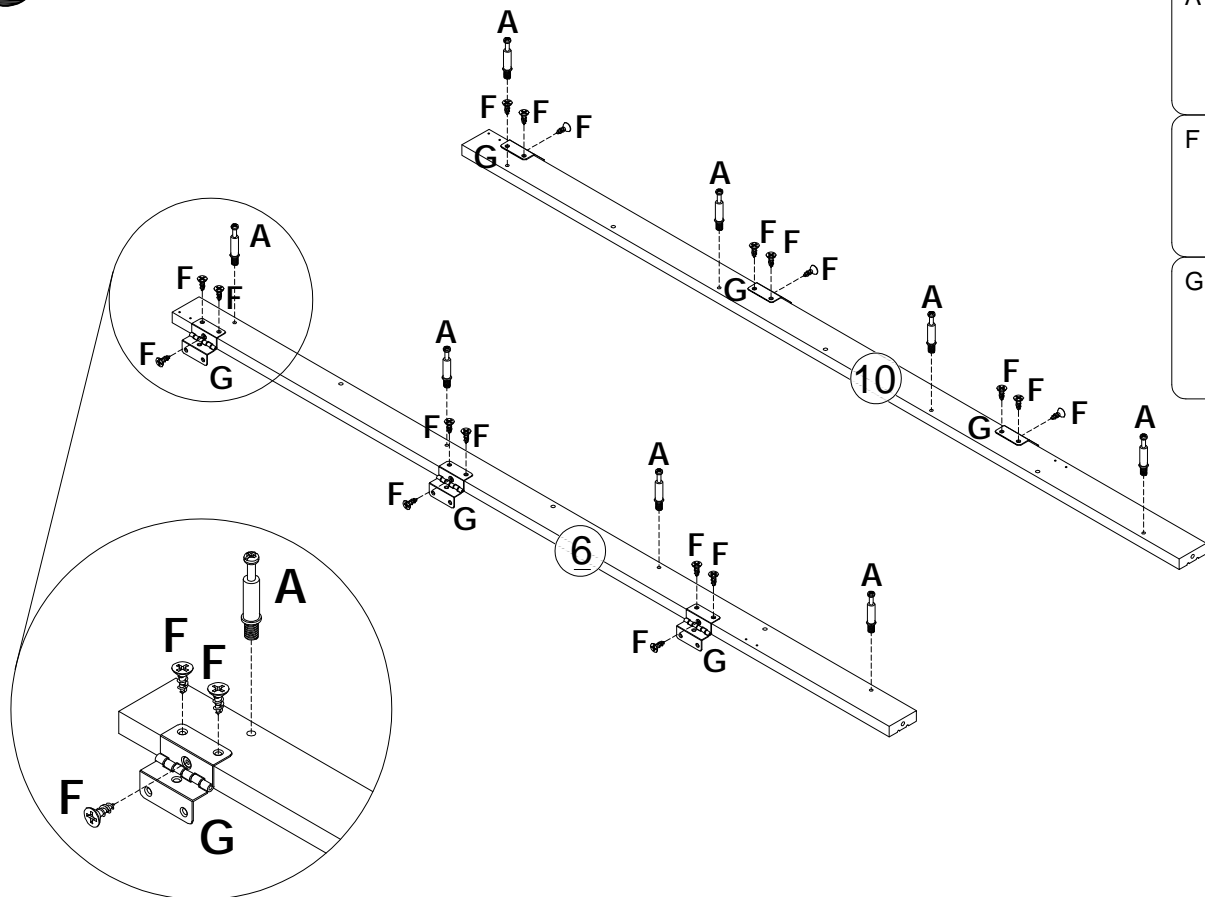


9



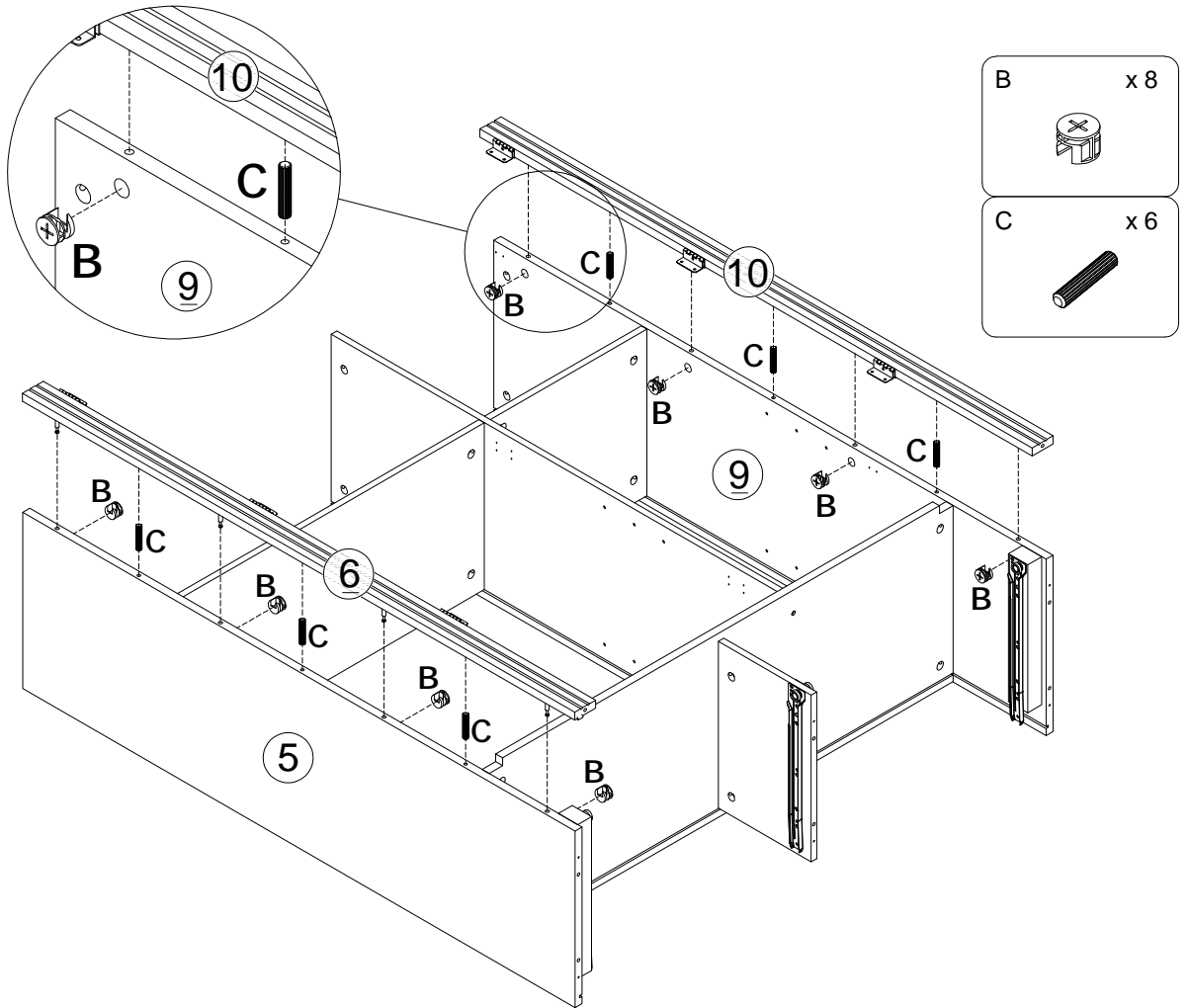
- B x 8
- C x 8

10

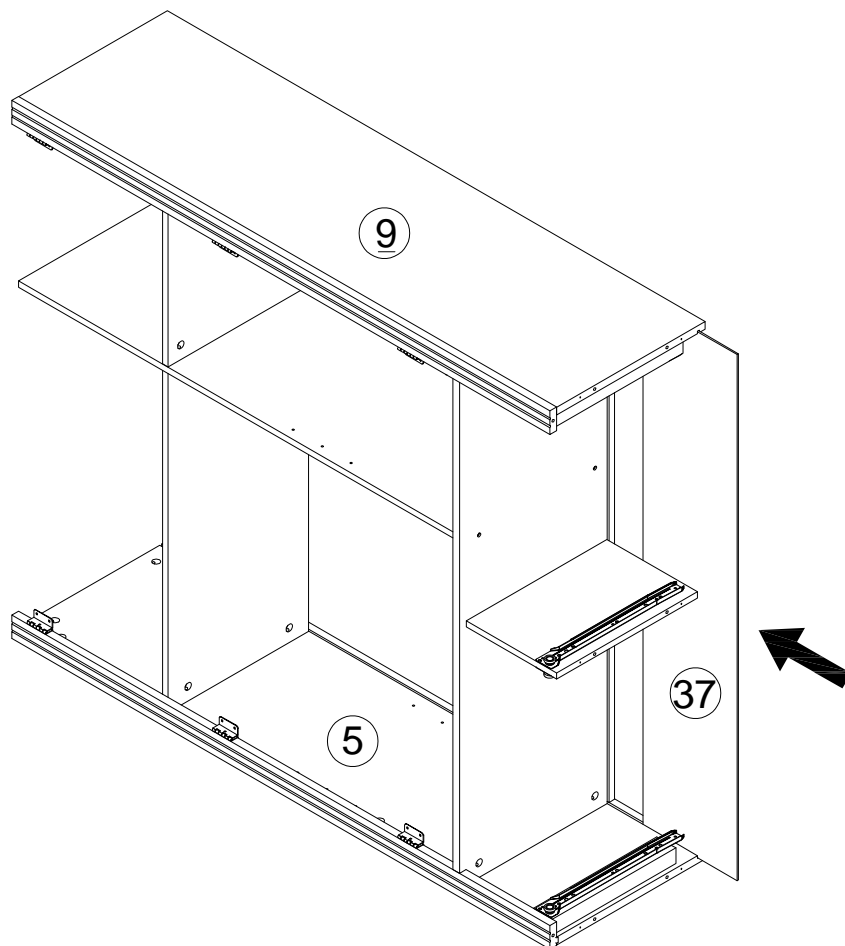


- A x 8
- F x 18
- G x 6

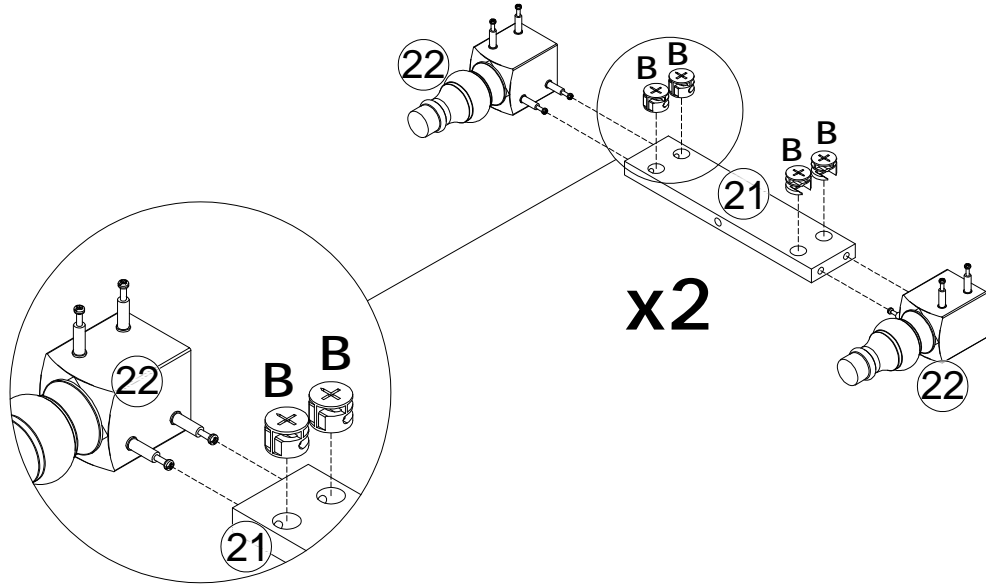
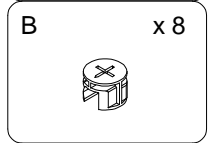
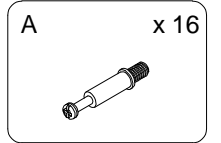
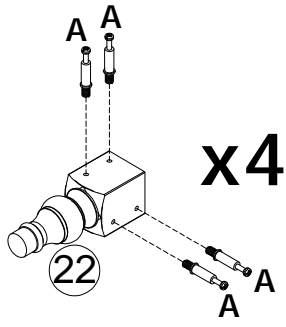
11



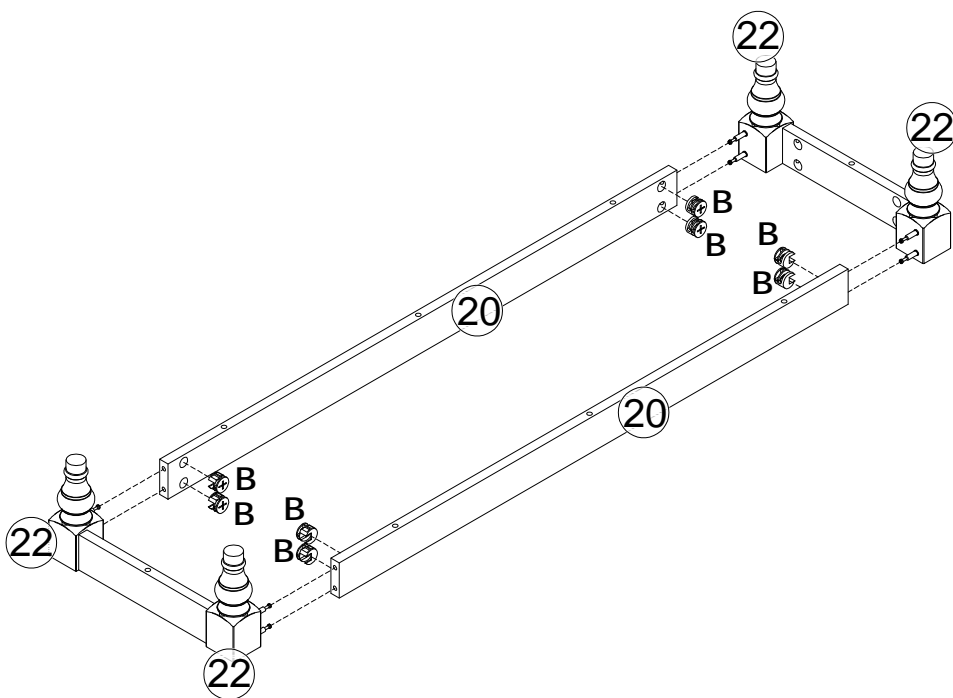
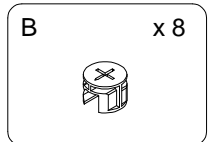
12



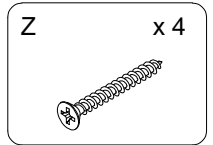
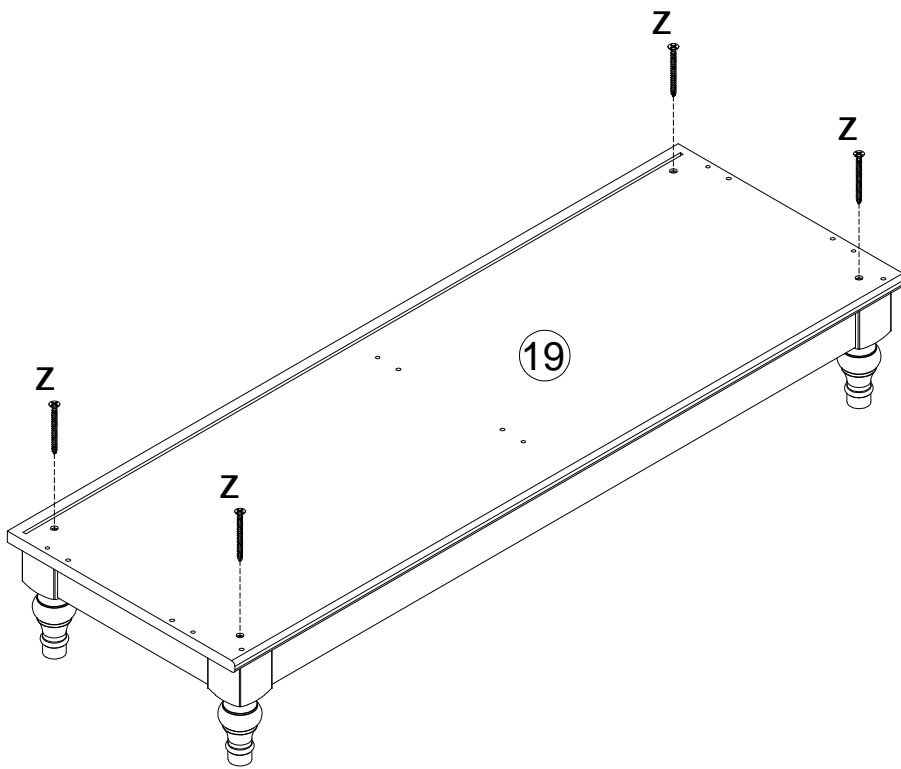
13



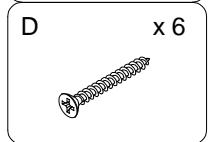
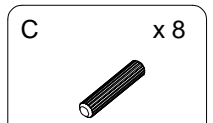
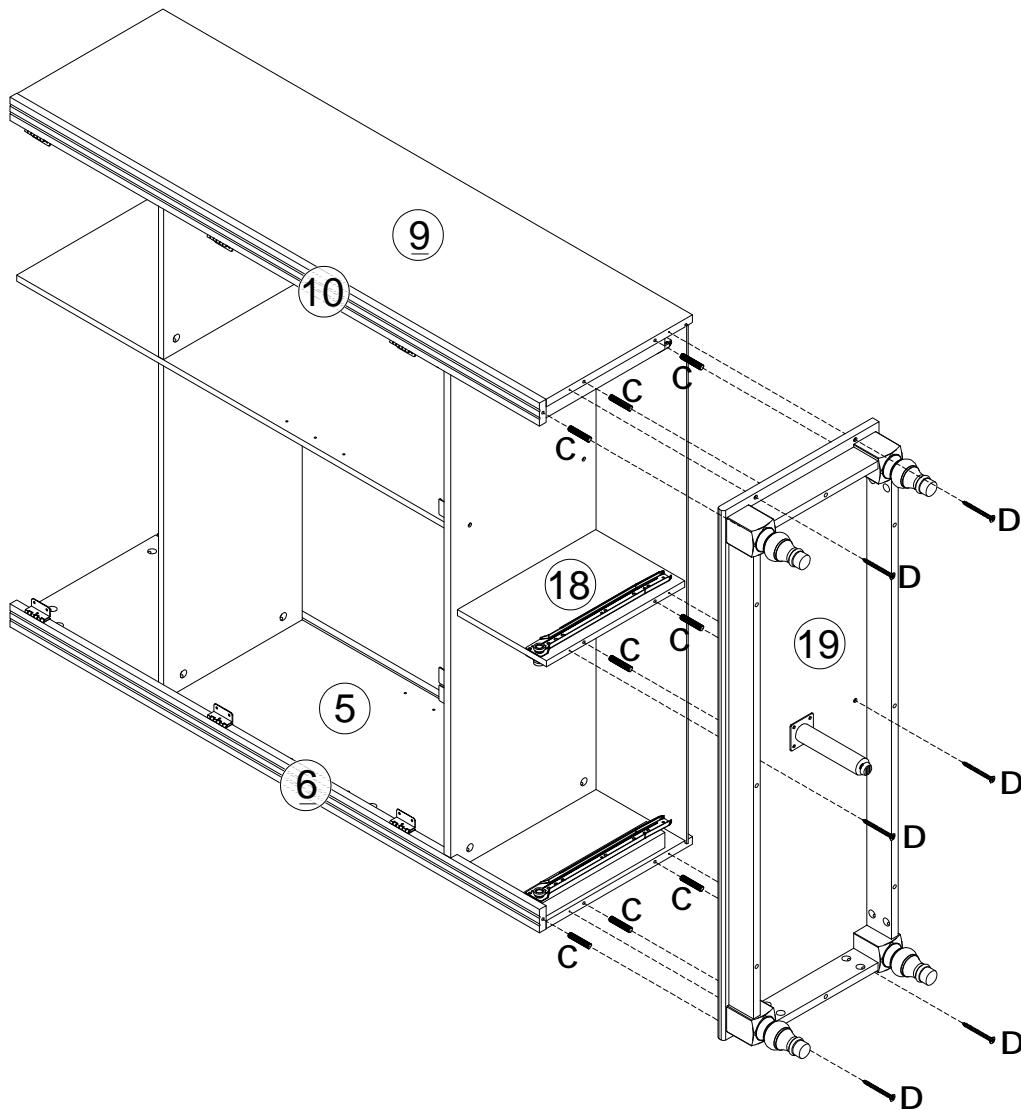
14

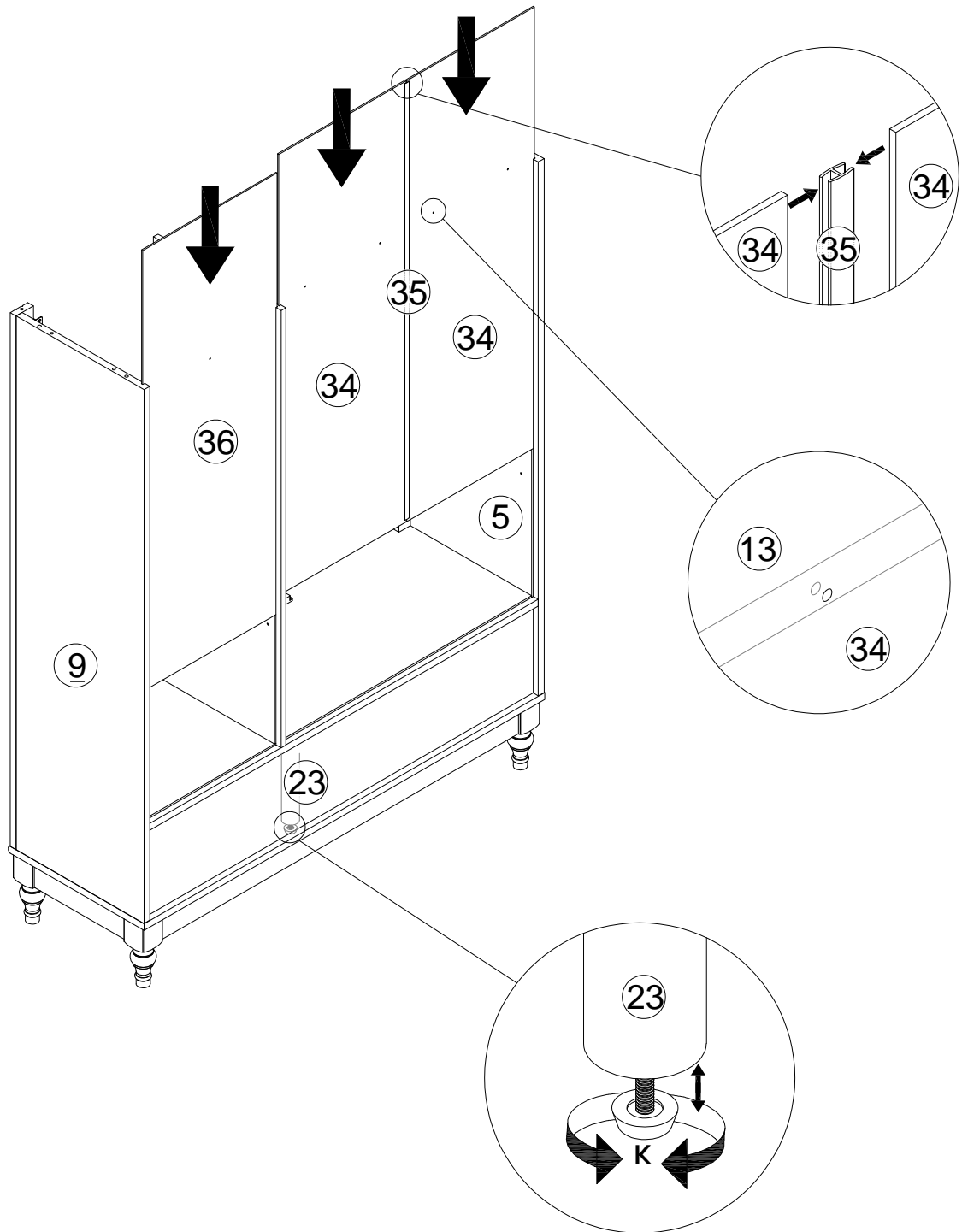


17

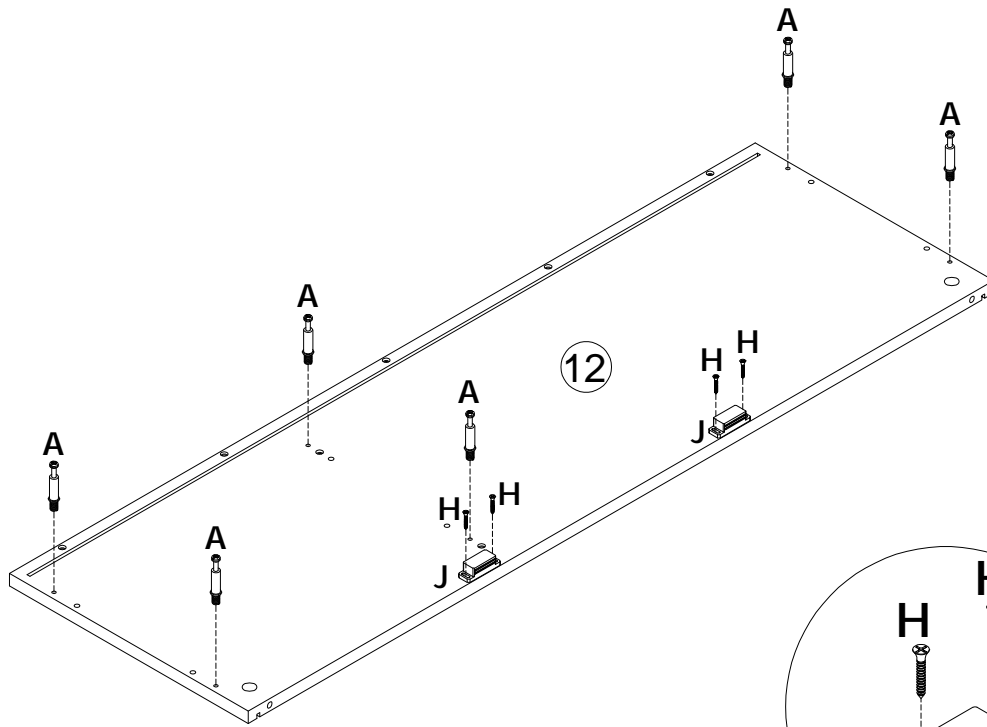


18



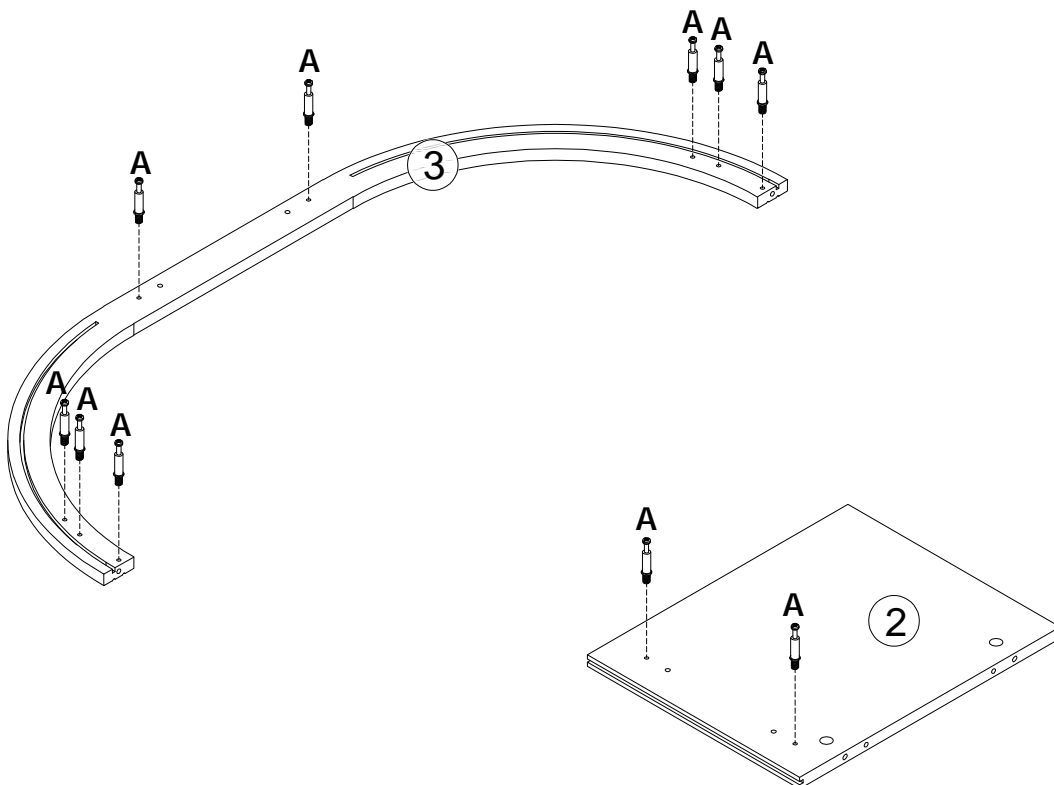


20



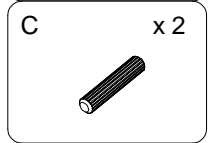
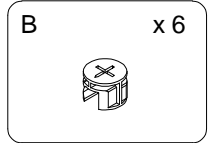
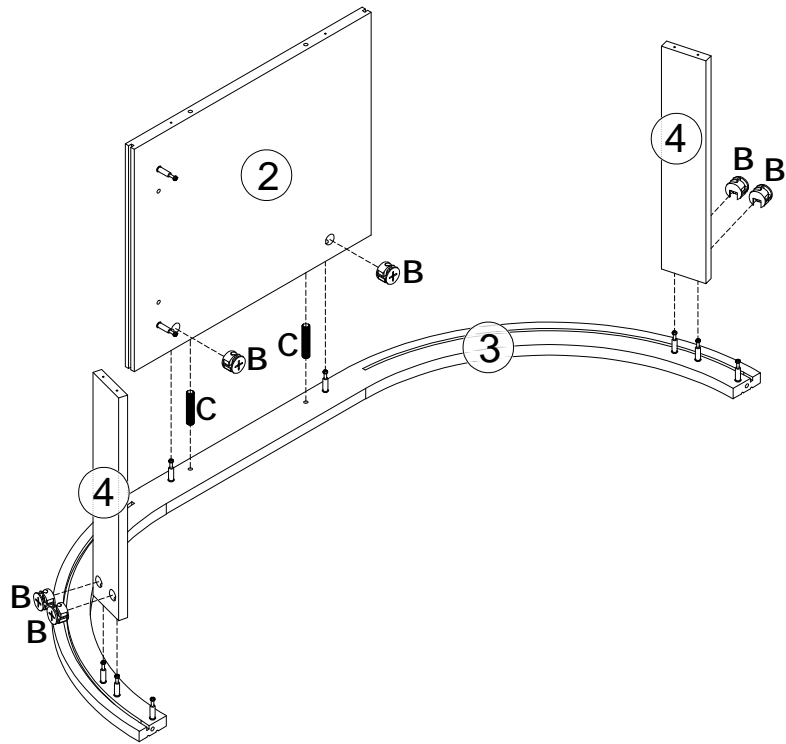
- A x 6
- H x 4
- J x 2

21

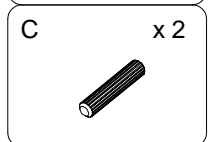
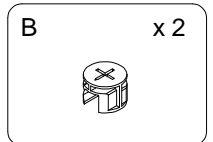
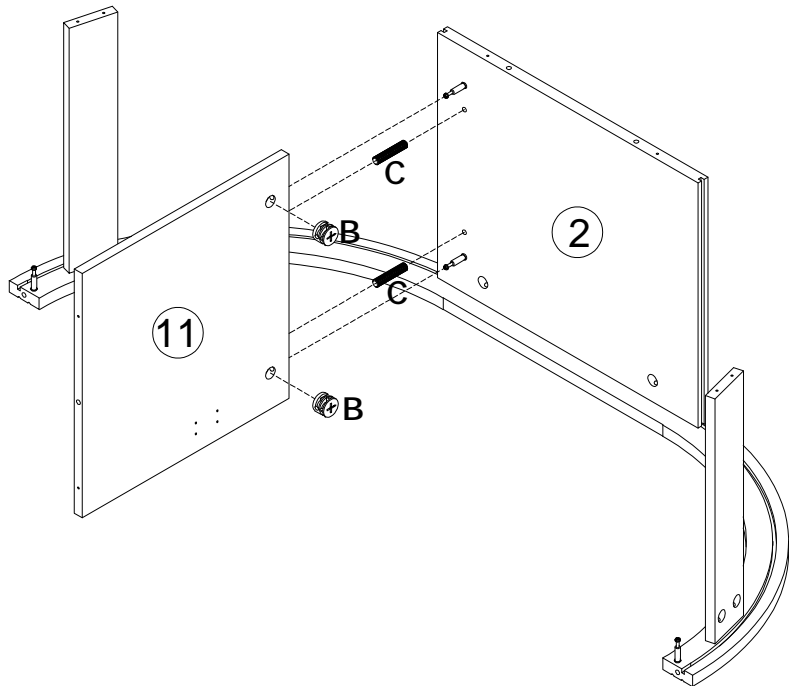


- A x 10

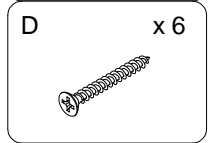
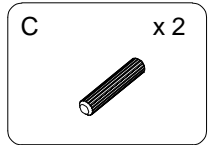
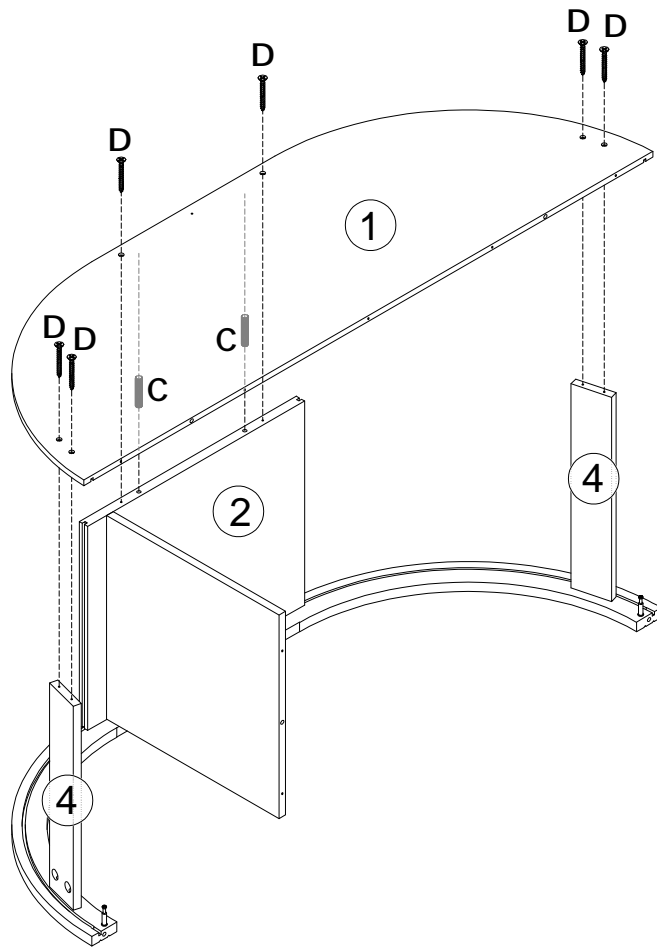
22



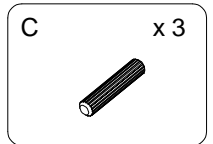
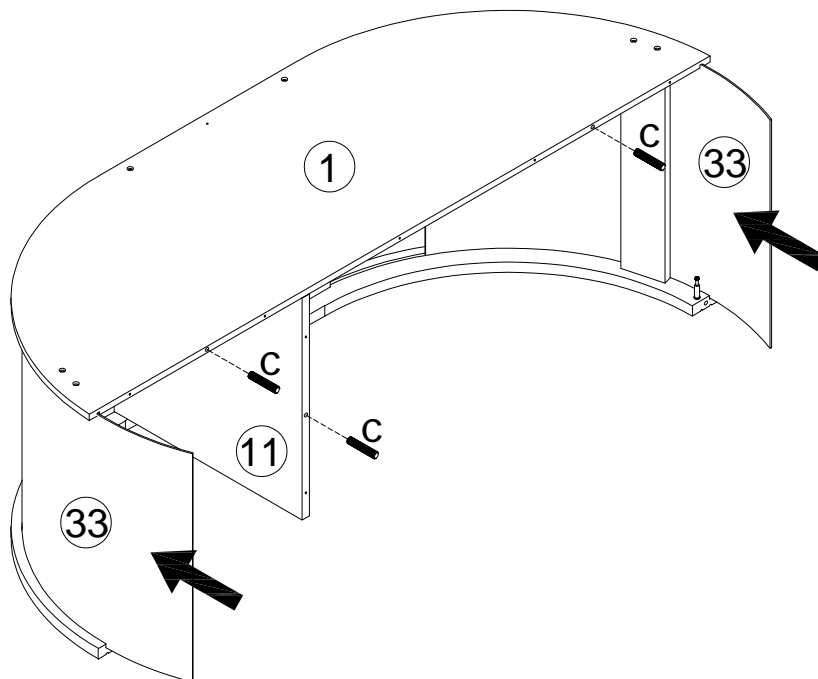
23



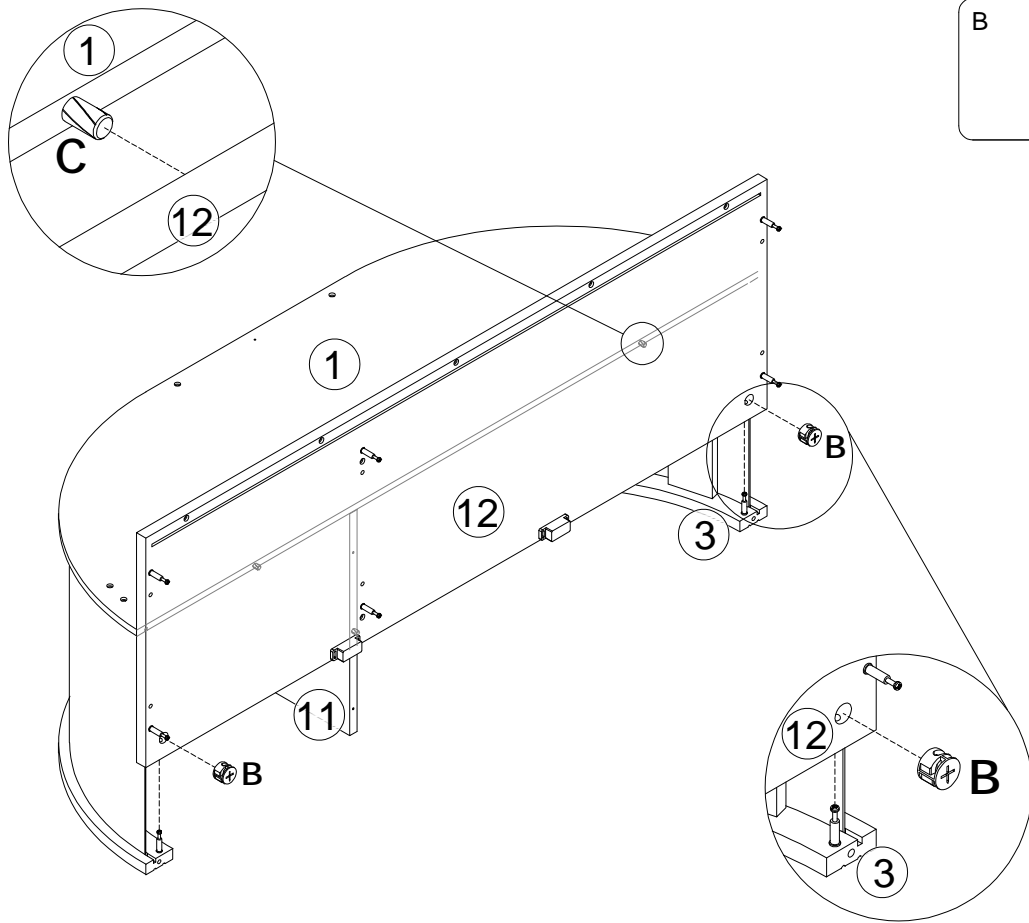
24



25

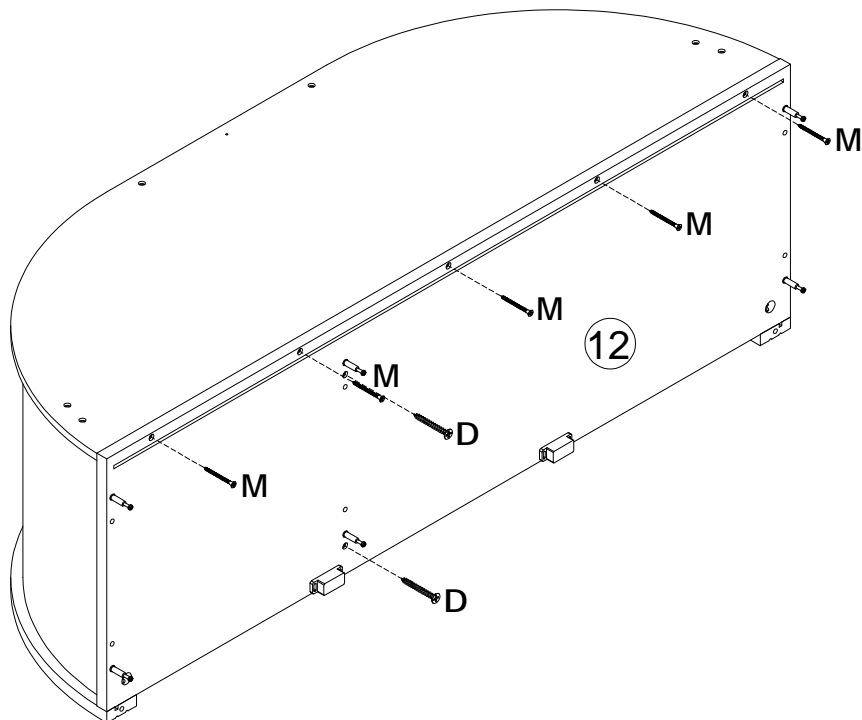


26



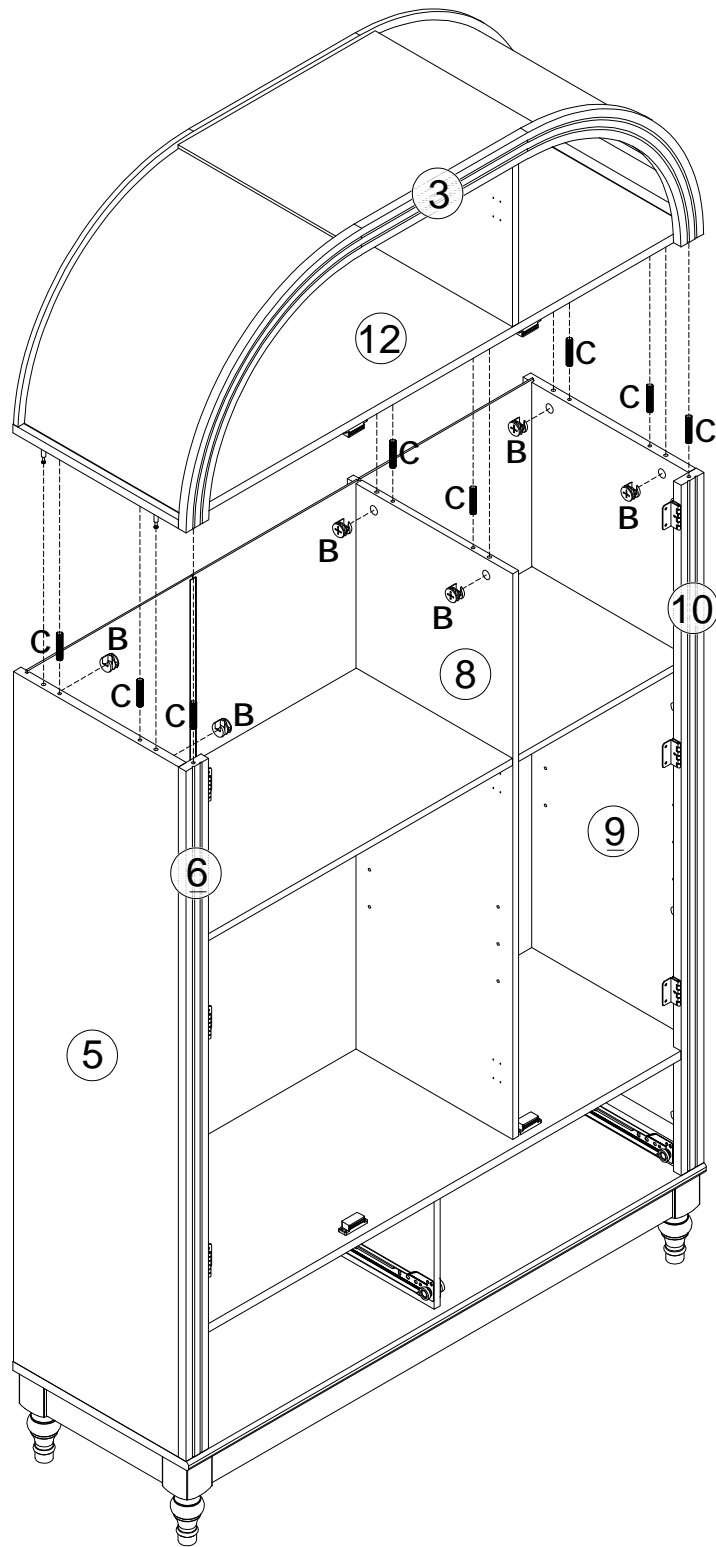
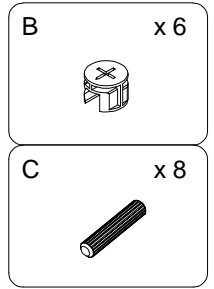
B x2

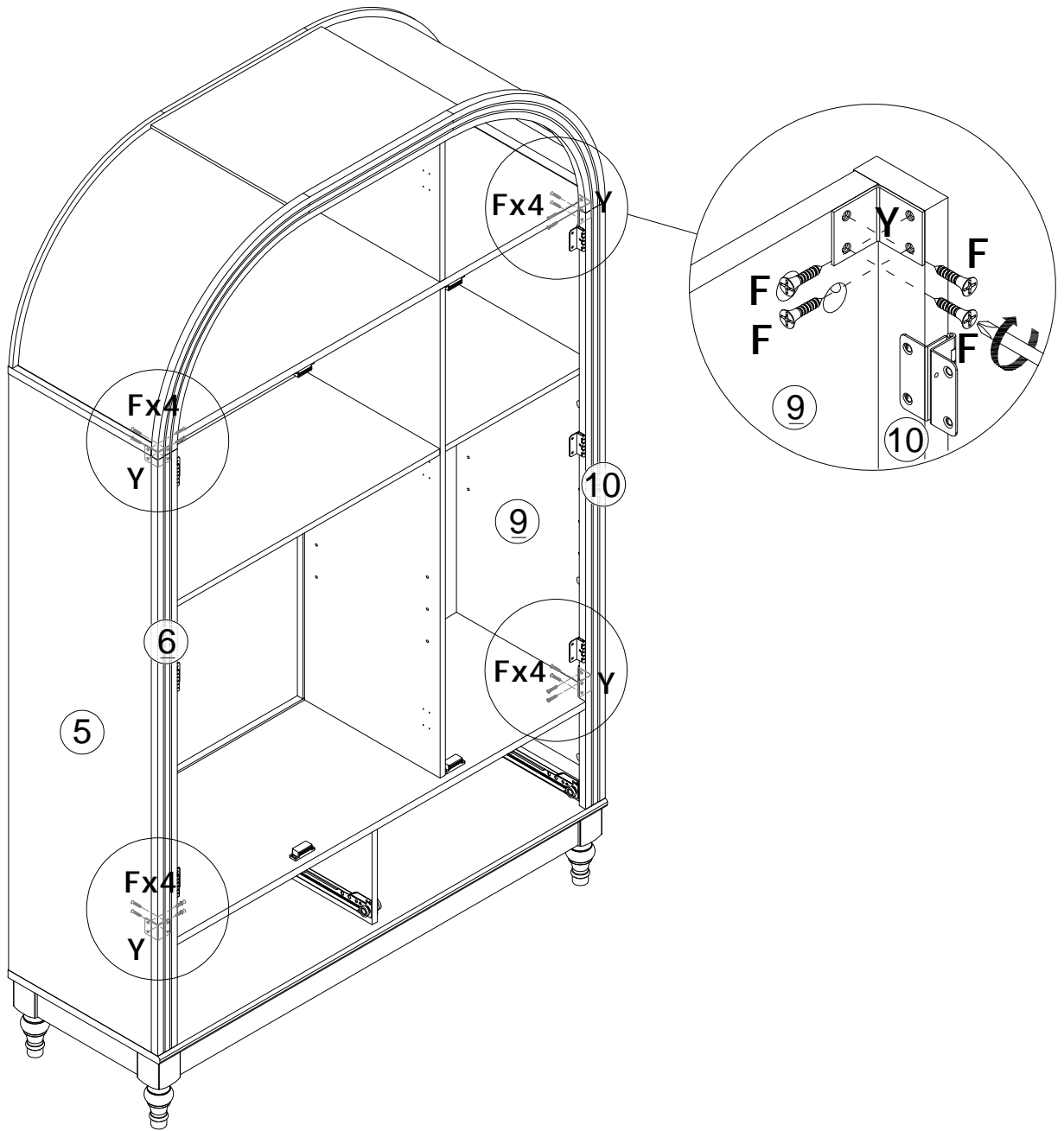
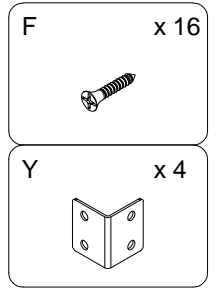
27

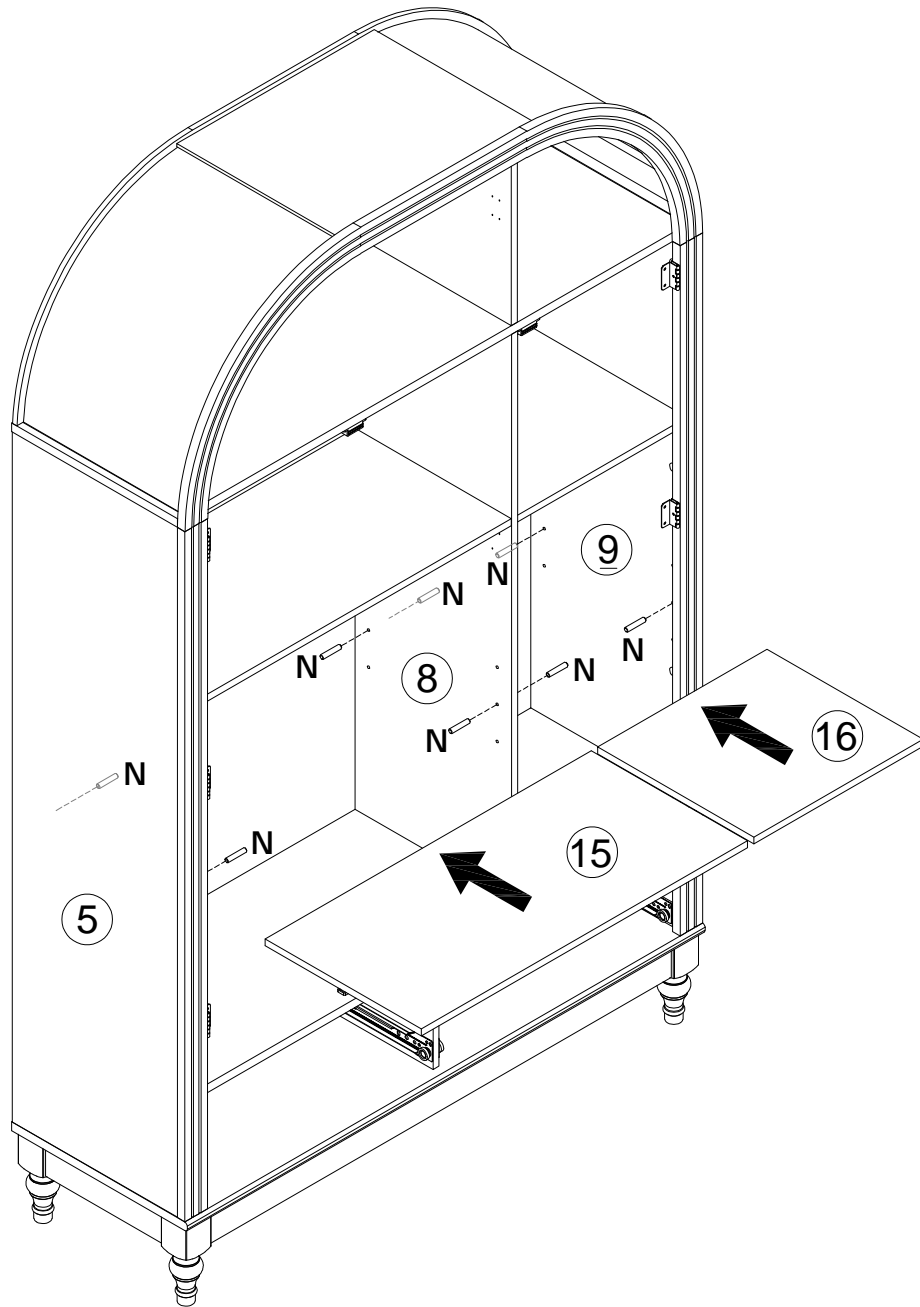
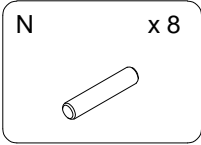


M x5


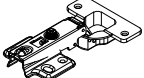


D x2

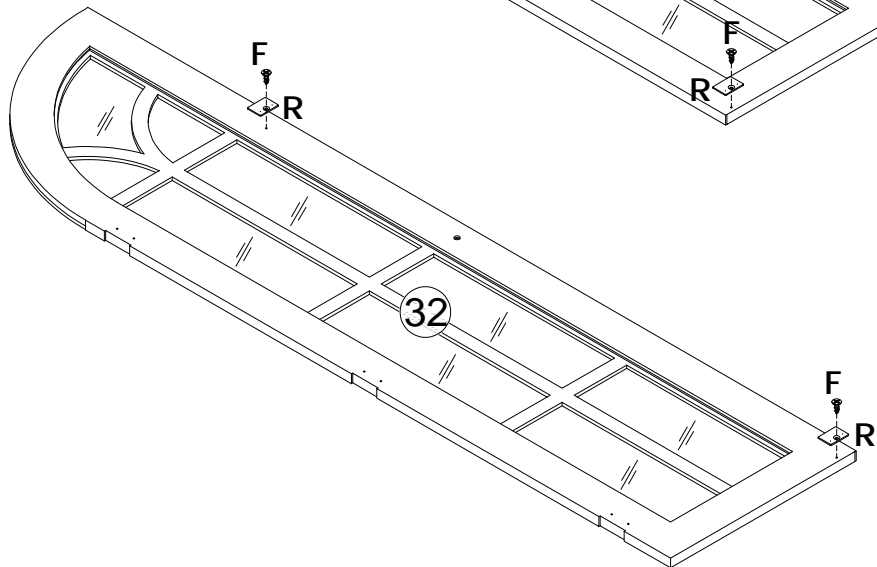
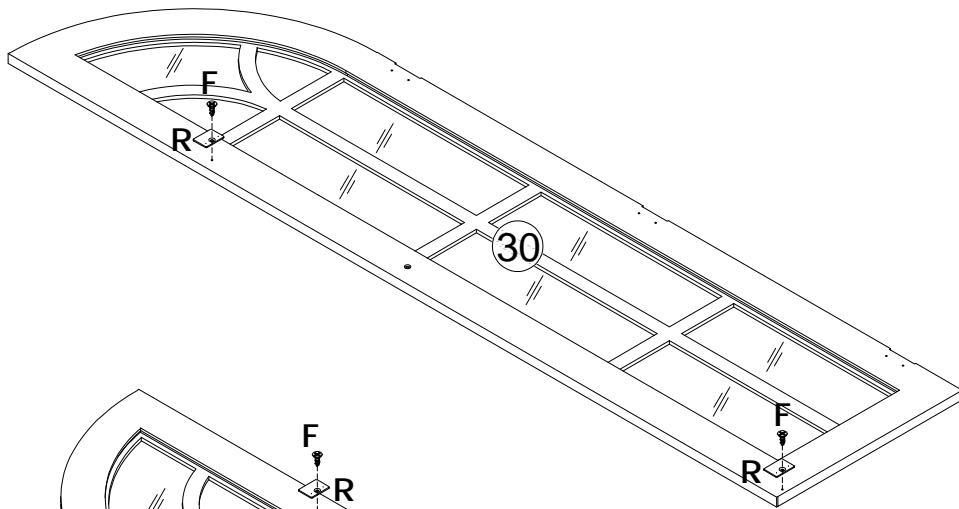
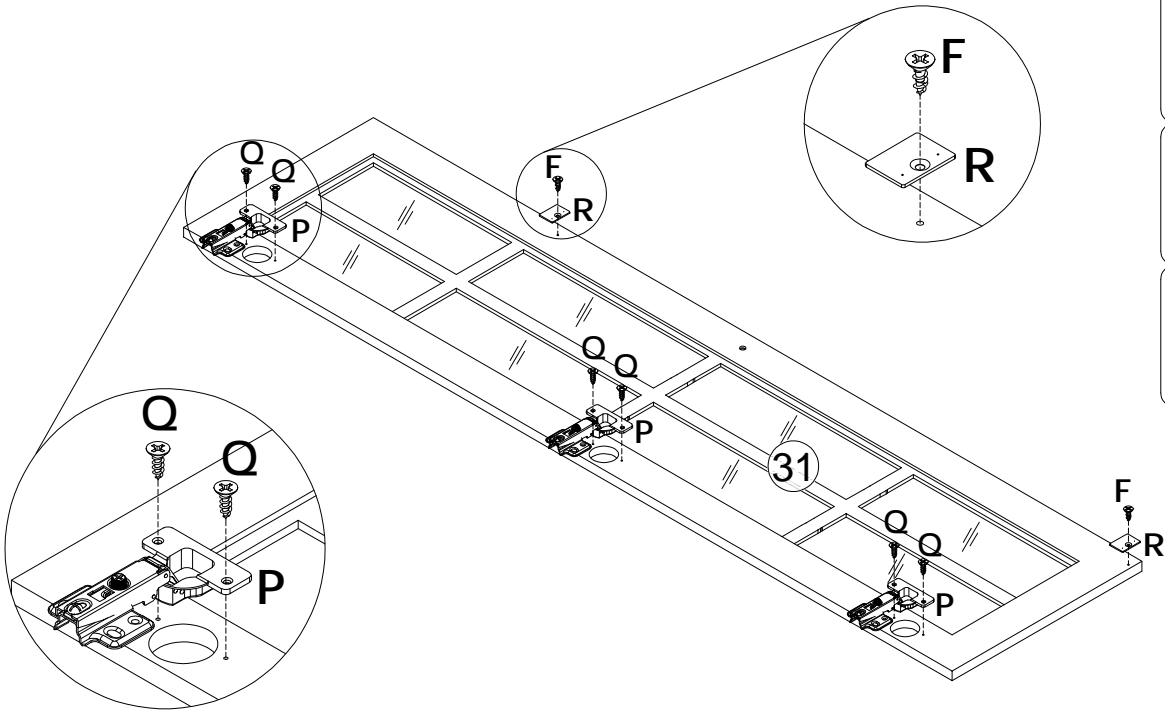


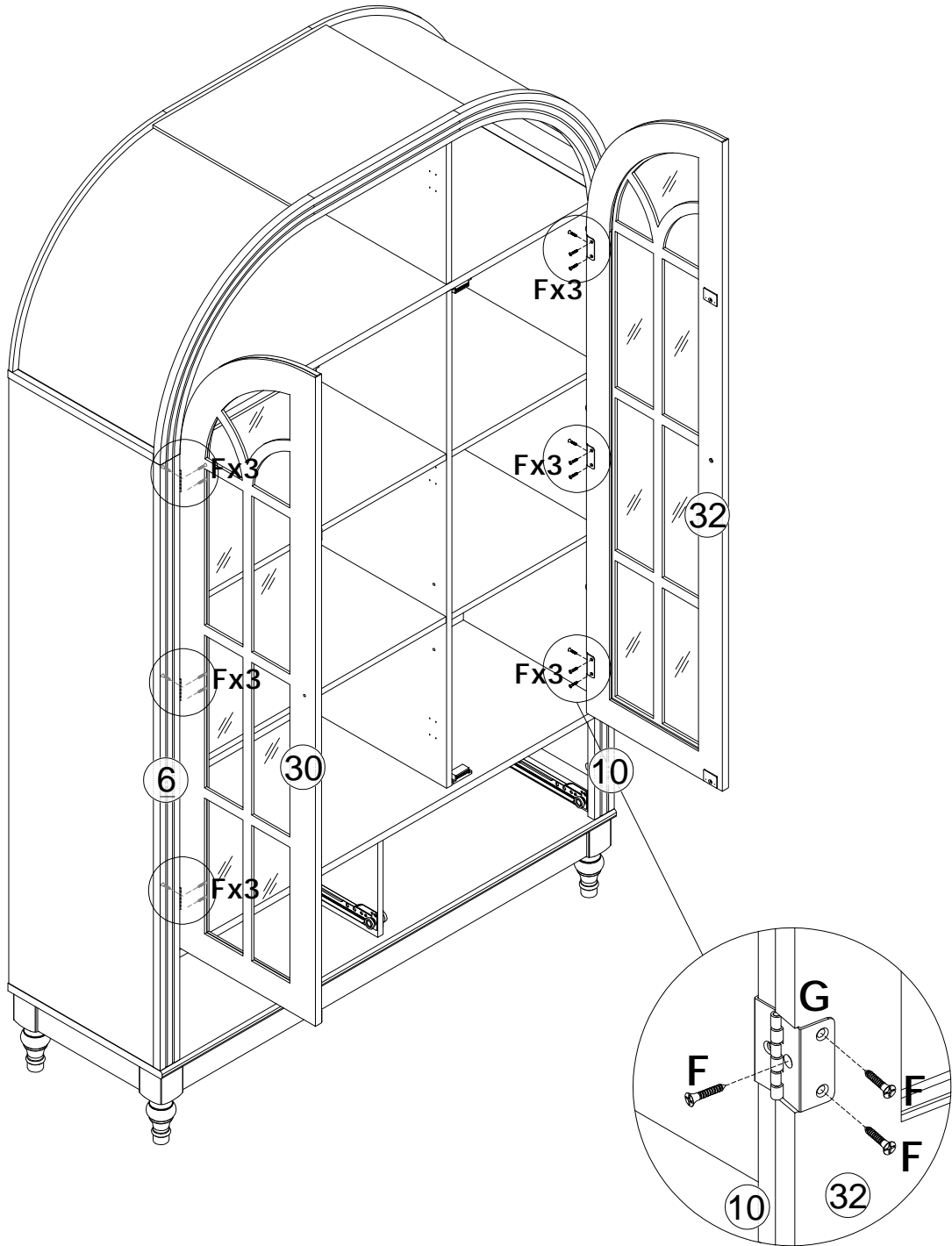
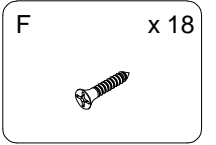


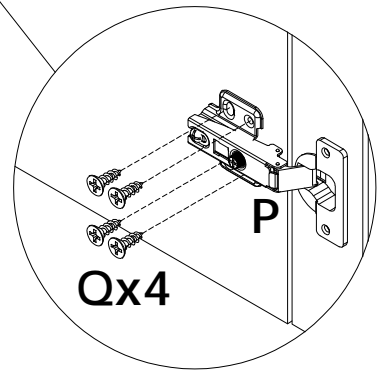
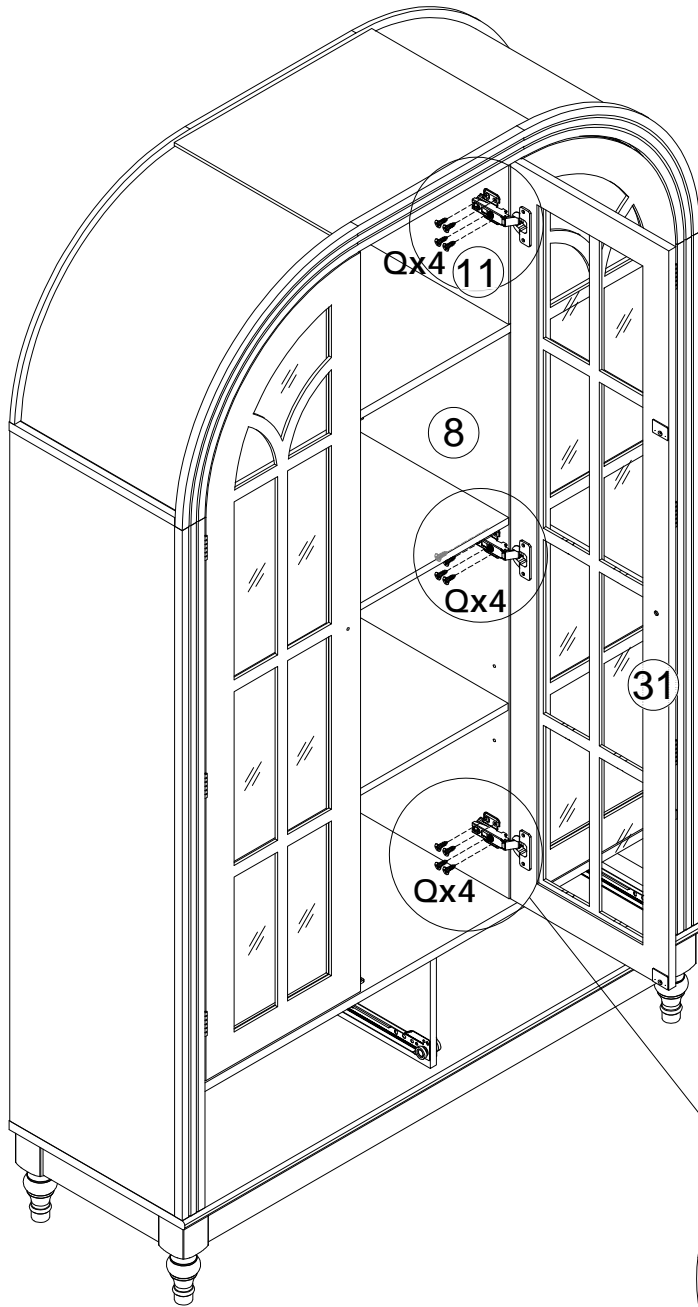


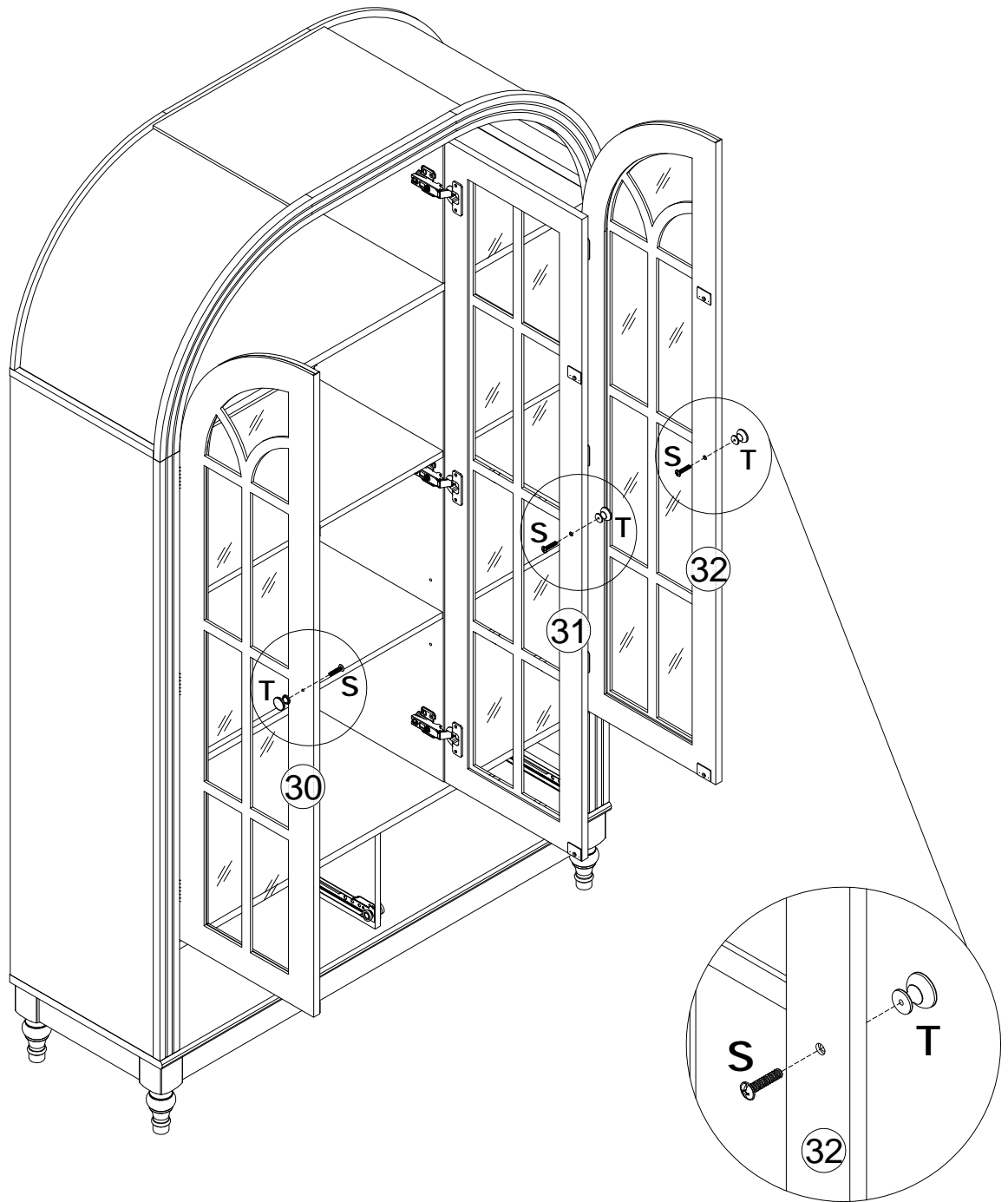
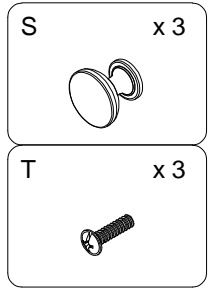
31

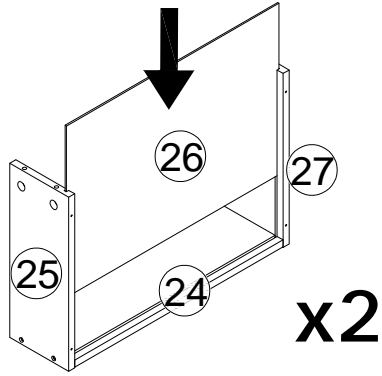
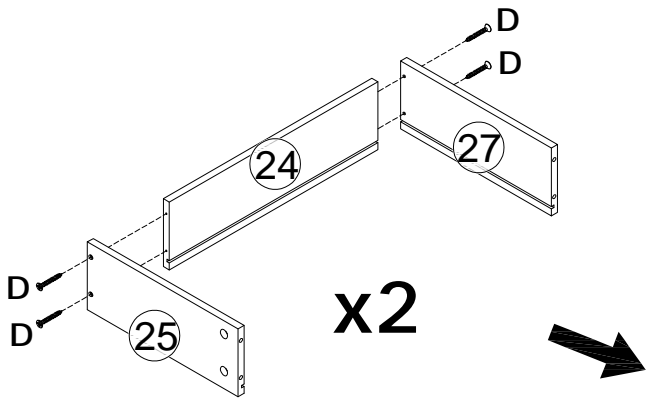
- F x6

- P x3

- Q x6

- R x6




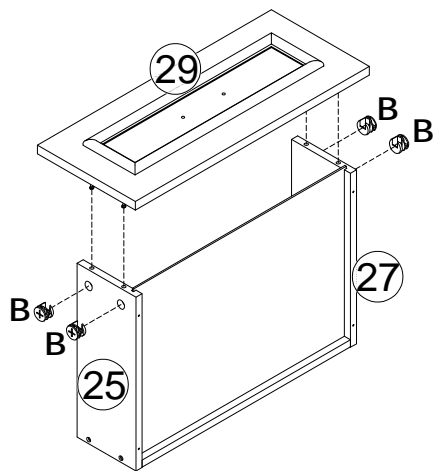
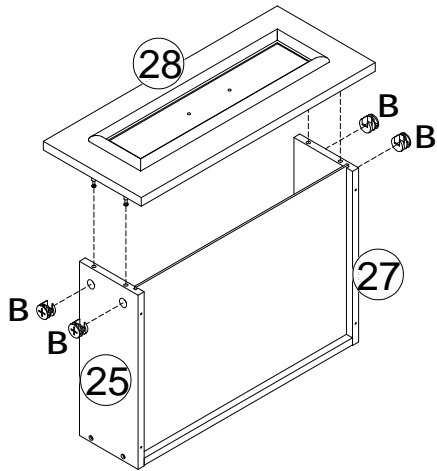
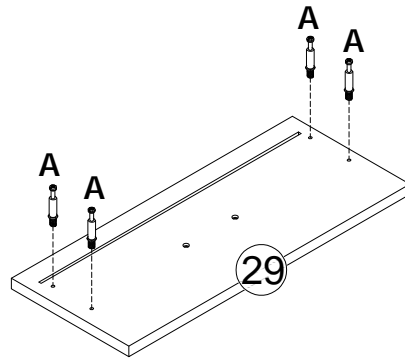
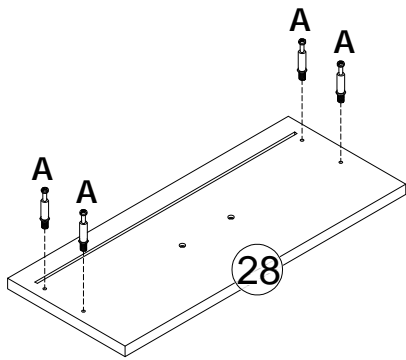




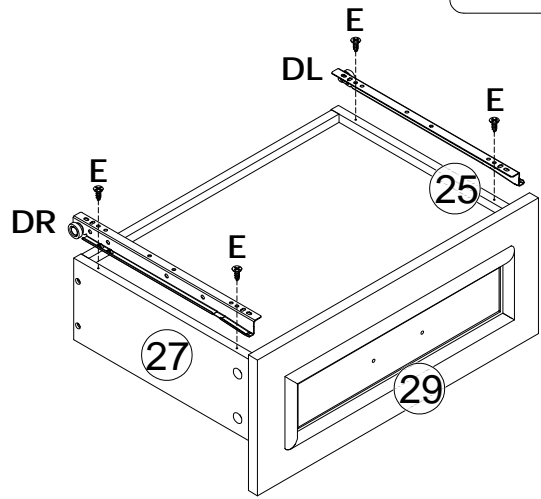
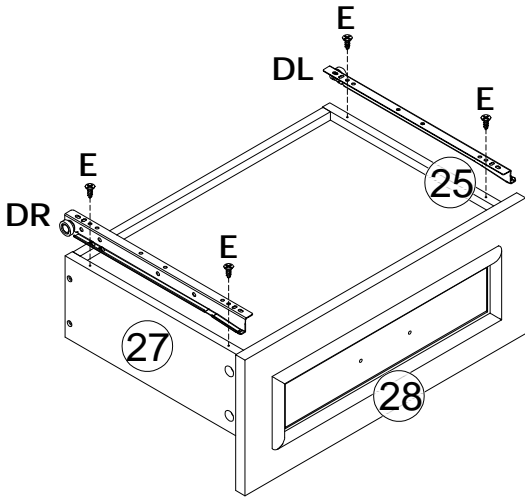
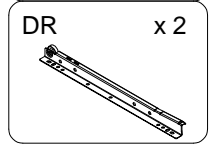
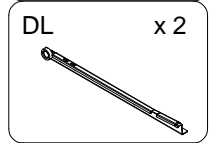
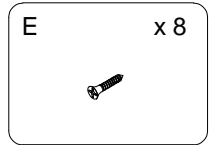
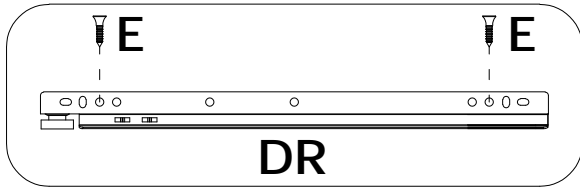
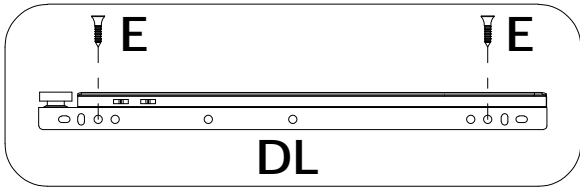




- A x 8
- B x 8
- D x 8



36



37

