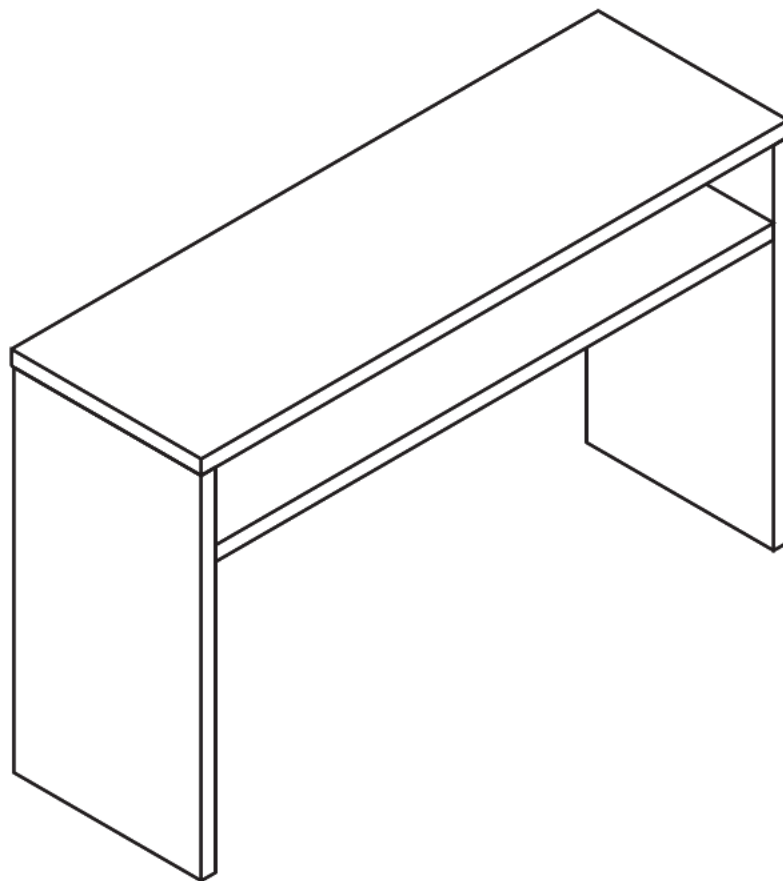


CONSOLE TABLE














ASSEMBLY INSTRUCTIONS

We have designed our furniture with you , the customer in mind . Our clear , easy to follow , step by step instructions will guide you through the project from start to finish . Feel confident that this will be a fun and rewarding project . The final product will be a quality piece of furniture that will go together smoothly and give years of enjoyment .

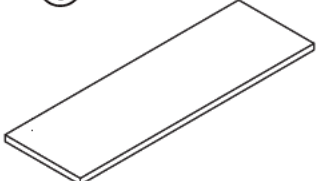

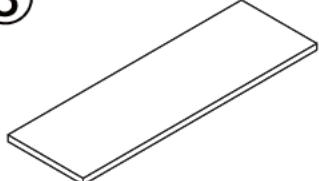
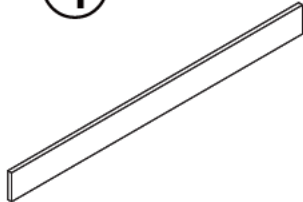


Please do not return to the store
Broken or missing parts?
Need help with assembly?

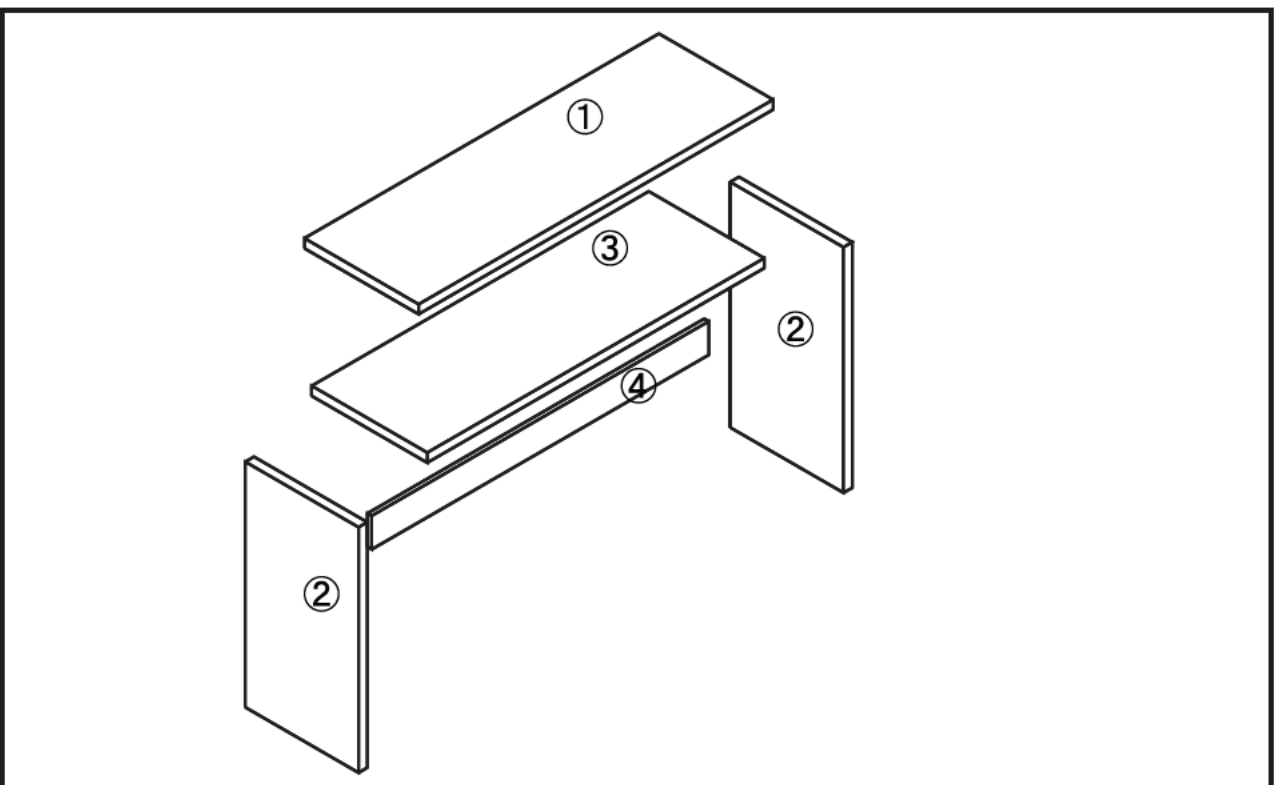
Hardware List

A 	B 	C 	D 	E 	F 
Cambolt (14pcs)	Camlock (14pcs)	Wood dowel (10pcs)	Sticker (14pcs)	Glue (1pc)	Plastic anchor (2pcs)
G 	H 	I 	J 	K 	
Eyelet screw (2pcs)	Cable tie (2pcs)	Allen Screw (2pcs)	Bracket (2pcs)	Allen Wrench (1pc)	

Panel List

①  Top Panel (1pc)	②  Side Panel (2pcs)	③  Bottom Panel (1pc)	④  Middle support Panel (1pc)
---	---	---	--

Exploded Views



Assembling the unit with camlocks and wood dowels.

Gently screw cam bolt into the threaded anchor.	Lightly glue one end of the wood dowel and tap halfway into hole.	Lightly glue wood dowel and connect to second panel by inserting dowels into holes.	Screw the camlock firmly into locked position.

Step 1

1. Screw cambolts (A) into top panel ① bottom panel ③ and side panel ② as shown.
2. Connect brackets (J) to top panel ① as shown using screws (I).

Step 2

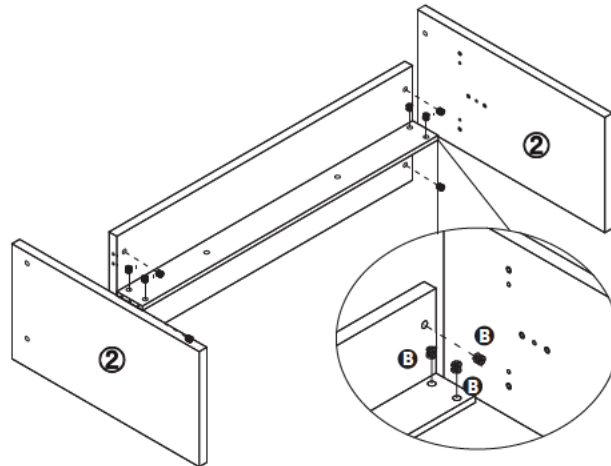
1. Insert wood dowels (C) into middle support panel ④ side panels ② and bottom panel ③ as shown.

Step 3

1. Attach middle support panel ④ to bottom panel ③ as shown using camlocks (B), gently tighten camlocks.

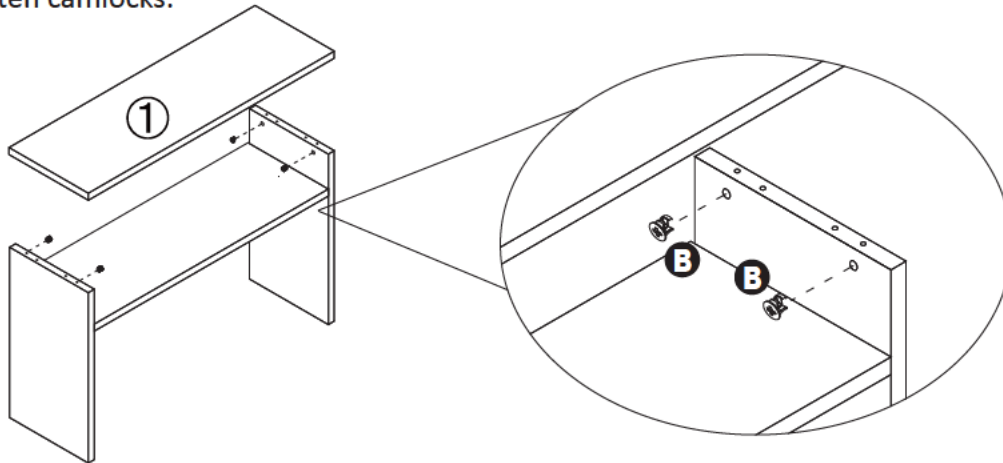
Step 4

1. Attach side panels (2) to assembly as shown using camlocks (B), gently tighten camlocks.



Step 5

1. Attach top panel (1) to assembly as shown using camlocks (B), gently tighten camlocks.



Step 6

1. Place hole stickers (D) over screw holes.
2. Drill hole slightly smaller than plastic anchor (F) into drywall and gently tap plastic anchor into hole.
3. Insert eyelet screws (G) into plastic anchors (F) and fasten unit to wall using cable ties (H).

