

**F O R I O U S**

*You Can't Imagine that*  
**WE ARE CHANGING THE WORLD !**

**[www.forious.com](http://www.forious.com)**

## INSTALLATION INSTRUCTION

### Notice:

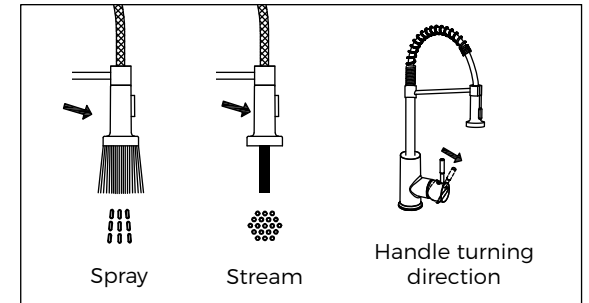
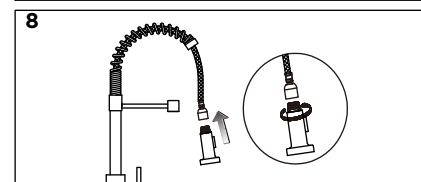
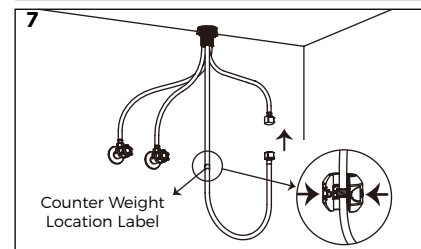
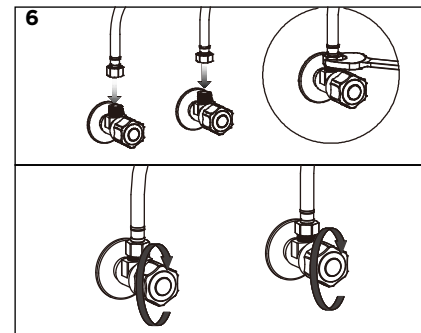
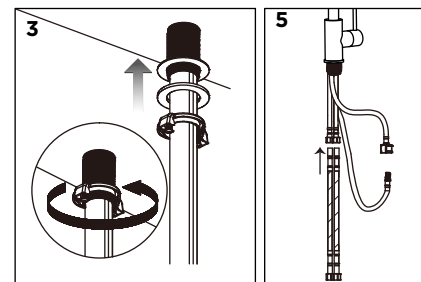
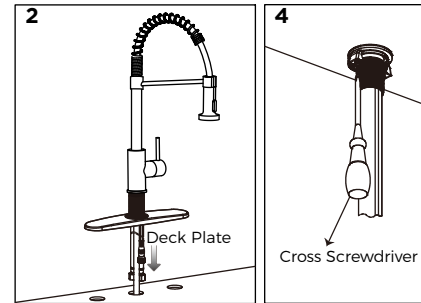
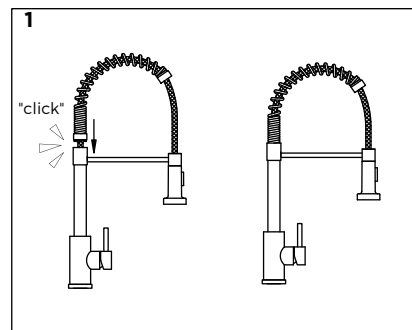
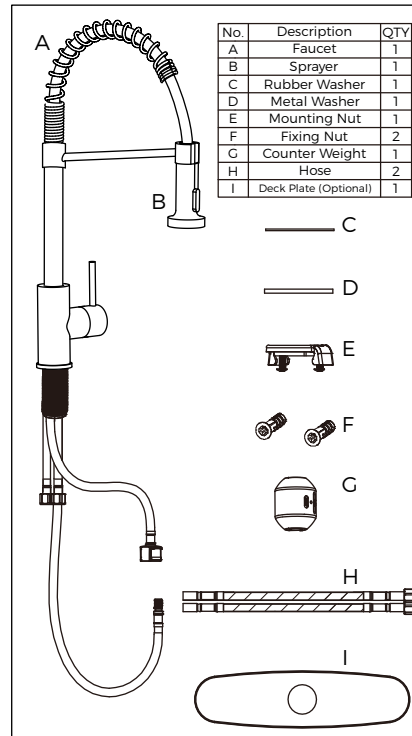
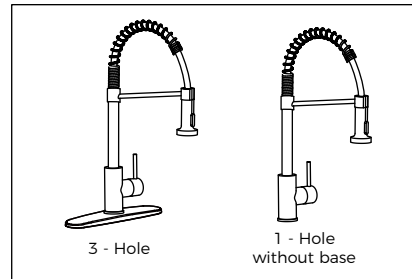
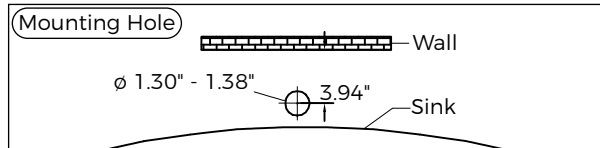
- Cleaning**  
Before installation, shut off the water supply valves and clean up the water supply system. Clean the area of the mounting holes before installation.
- Mounting hole**  
Make sure the mounting hole size is between  $\varnothing 33\text{mm} - \varnothing 35\text{mm}$  as shown in the diagram.
- Parameter**  
Water pressure: Min: 0.05MPa Max: 0.75MPa  
Temperature of water supply  $\leq 85\text{C}$   
Working temperature  $\geq 20\text{C}$

### Includes:

- Faucet
- Spray Head (for pu-out faucets only)
- Mounting Hardware: rubber washer, metal washer, mounting nut and fixing nut
- Counter Weight
- Hose
- Deck Plate (optional part)

### Installation Steps:

- Clamp the spring tube into the main body of the water inlet faucet.  
When you hear the sound of "click", it means that the spring tube is installed correctly.
- Take the faucet out of the packing box.
  - For 1-hole sink, install the deck plate on the bottom of the faucet (if the base is not needed, skip this step), then fit the faucet to the mounting hole on the sink.
  - For 3-hole sink, install the deck plate on the bottom of the faucet, then fit the faucet to the mounting hole on the sink, cover the two holes next to the faucet.
- Put the rubber washer, metal washer and fixing nut into the bottom of the faucet in turn.
- Use a cross screwdriver to thread the 2 screws.



- Connect the hot and cold water supply hose to the hot and cold water outlet of the faucet.
- Connect the hot & cold supply hose onto the matching water valves and secure the connection with an adjustable wrench.
- Connect the water outlet hose to the hose of the sprayer. Install the counter weight on the hose connected to the sprayer.
- Install the sprayer to the water outlet.

### Maintenance:

- Flush the plumbing pipes in the wall before installation for 10s so as to remove the impurities.
- Operate the faucet gently in order for a sustainable use.
- Always blot dry any water from faucet surface. Clean with a damp non-abrasive sponge and wipe it with a clean soft cloth should be helpful to maintain good finish of the faucet. To remove water spots, please apply warm water and a damp soft cloth. Make certain to rinse thoroughly with water immediately after cleaner.
- Although the finish is extremely durable, it can be damaged by some cleaners. Do not use detergent powder, polishing powder, granular detergent or nylon brush to clean.
- Do not use acidic detergents. If happened, it must be rinsed properly and wiped dry with a soft cloth.
- When the air temperature is below  $0\text{C}$ , a measure should be taken to keep the faucet working condition warm.
- Shut off the water supply valves when the faucet will not be in use for an extended amount of time.
- We reserve the right to make revisions in the design of products without notice.