

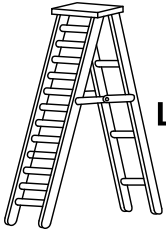
## ASSEMBLY INSTRUCTIONS



**CAUTION**

- ◆ Inspect the wire insulation for any cuts, abrasions, or exposed copper that may have resulted during shipping. If there is a defect in the wire, do not attempt installation.
- ◆ Before starting installation of this fixture or removal of a previous fixture, disconnect the power by turning off the circuit breaker or by removing the fuse at the fuse box.

## TOOLS REQUIRED



**Ladder**

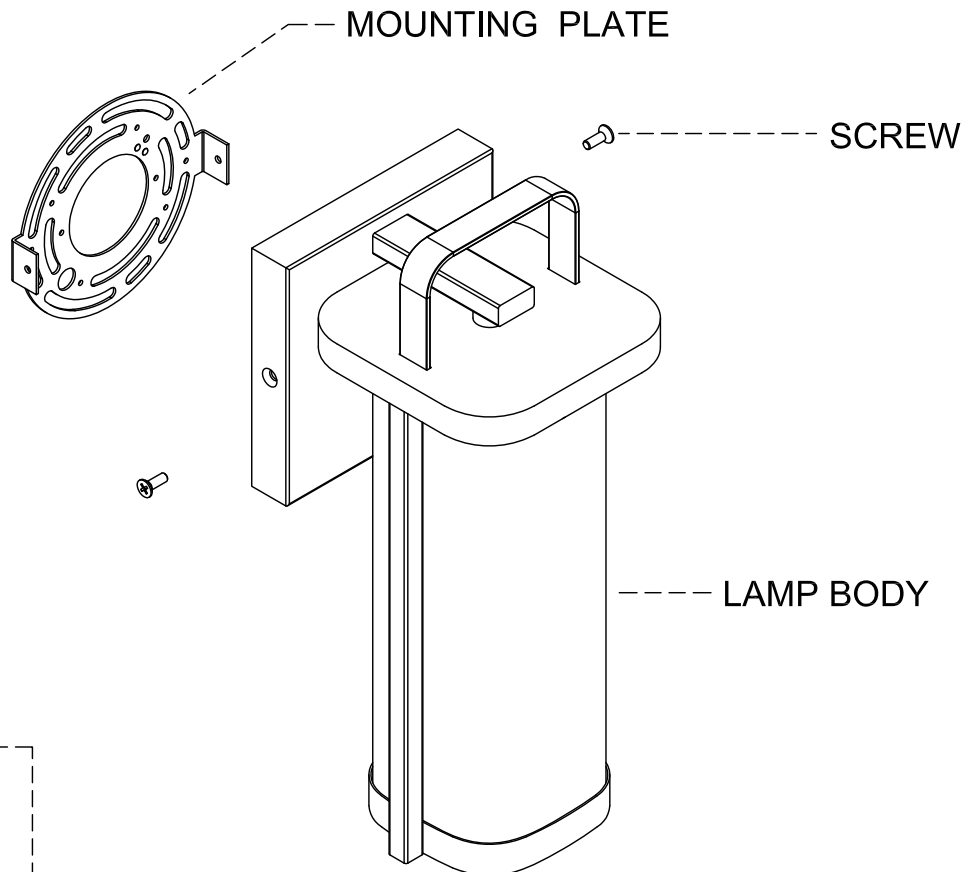


**Safety  
glasses**

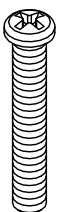


**Phillips  
screwdriver**

**PARTS SHOWN MAY DIFFER SLIGHTLY PER LIGHT FIXTURE  
ITEM NO.: AD25003-80**



**PART BAG**



**X2**

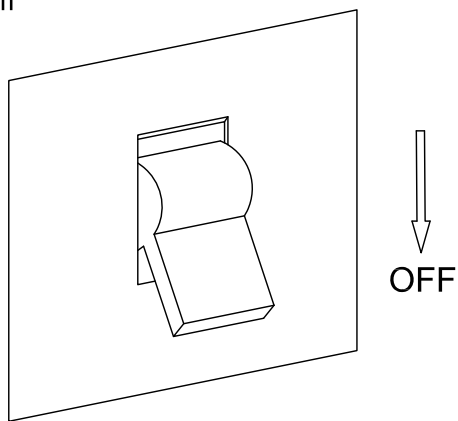


**X3**

**Recommend using T30\*185 bulbs**

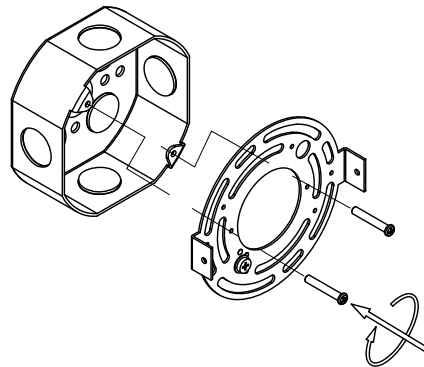
### Step 1

Power off



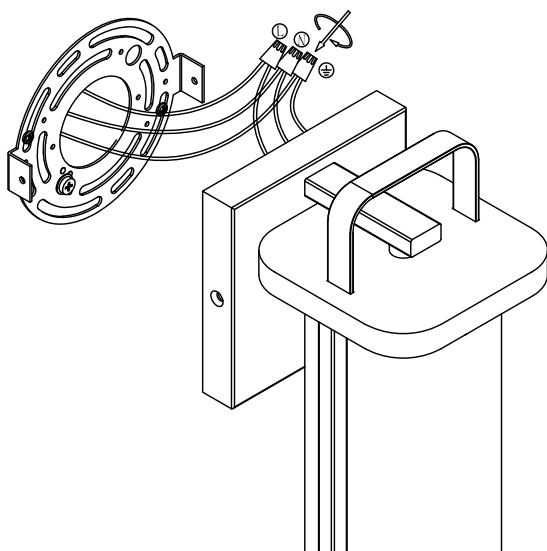
### Step 2

Use the mounting screws to attach the mounting plate to the junction box(not included).



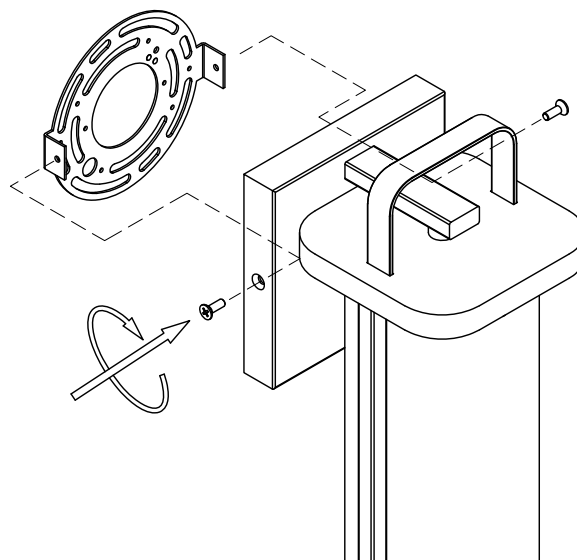
### Step 3

Connect the wire.



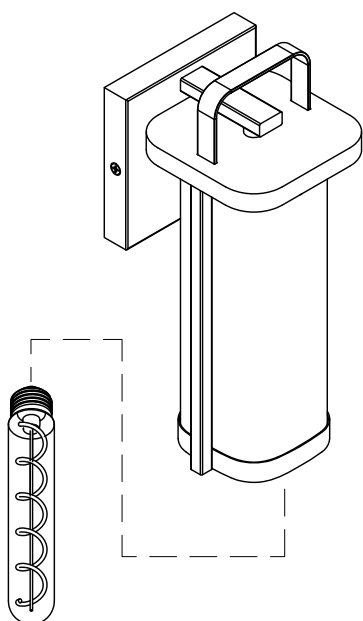
### Step 4

Attach the sconce to the mounting plate.



### Step 5

Install the bulb (not include).



OUTDOOR SCONCE

