

USER'S MANUAL

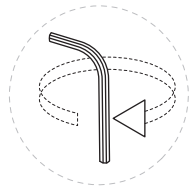
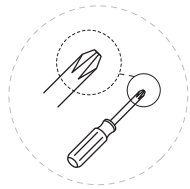
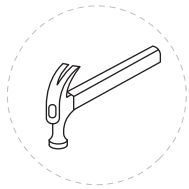
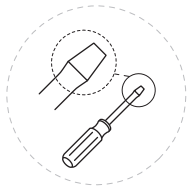
Rocking Bench Outdoor

THIS INSTRUCTION BOOKLET CONTAINS **IMPORTANT** SAFETY INFORMATION. PLEASE READ AND KEEP FOR FUTURE REFERENCE.

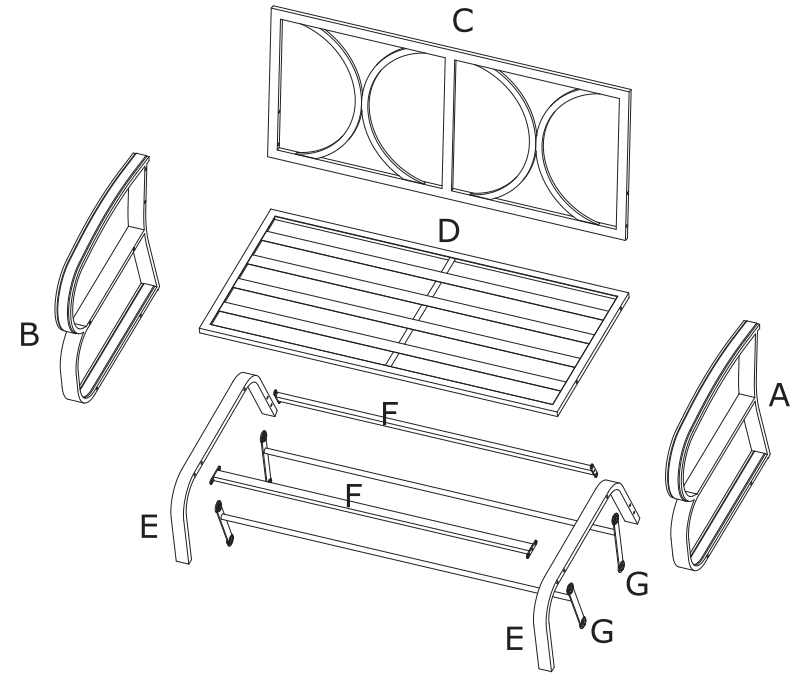


Before You Start

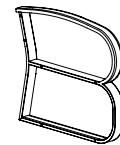
- ⚠ Read each step carefully before starting. It is very important to ensure each step followed in correct order, otherwise assembly difficulties may occur.
- ⚠ Most of board parts are labeled or stamped on the raw edges. Have a check to make sure all parts are included.
- ⚠ Work in a spacious area, preferably on a carpet close to where the unit will be used.
- ⚠ Keep the handtools close at hand. Do not use power tools to assemble your furniture. They may scratch or damage the parts.



EXPLOSIVE VIEW



PARTS LIST



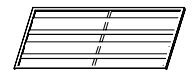
Ax1



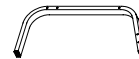
Bx1



Cx1



Dx1



Ex2



Fx2

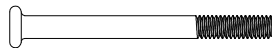


Gx2

Hx4
M6x35mm



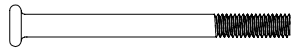
Kx2
M6x65mm



Ix4
M6x45mm



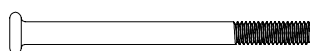
Lx2
M6x70mm



Jx6
M6x55mm



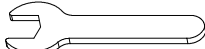
Mx4
M6x75mm



Nx8
5MM



Rx1
M6



Ox22
M6



Sx2



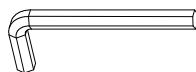
Px14
M6



Tx1

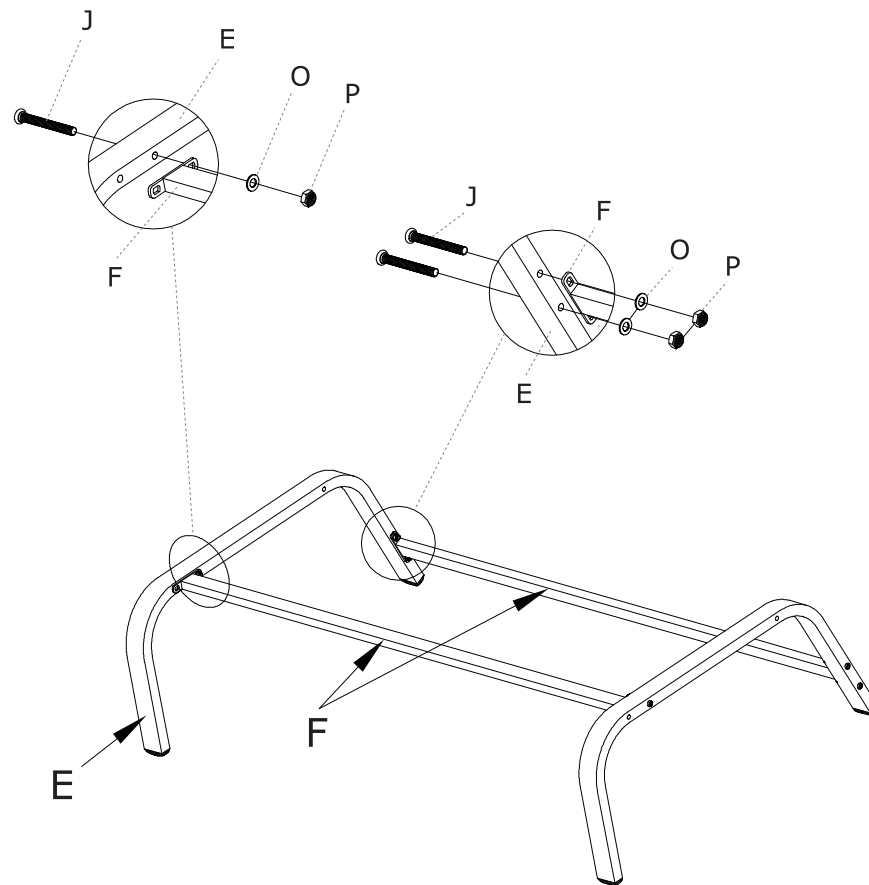


Qx1
4x4



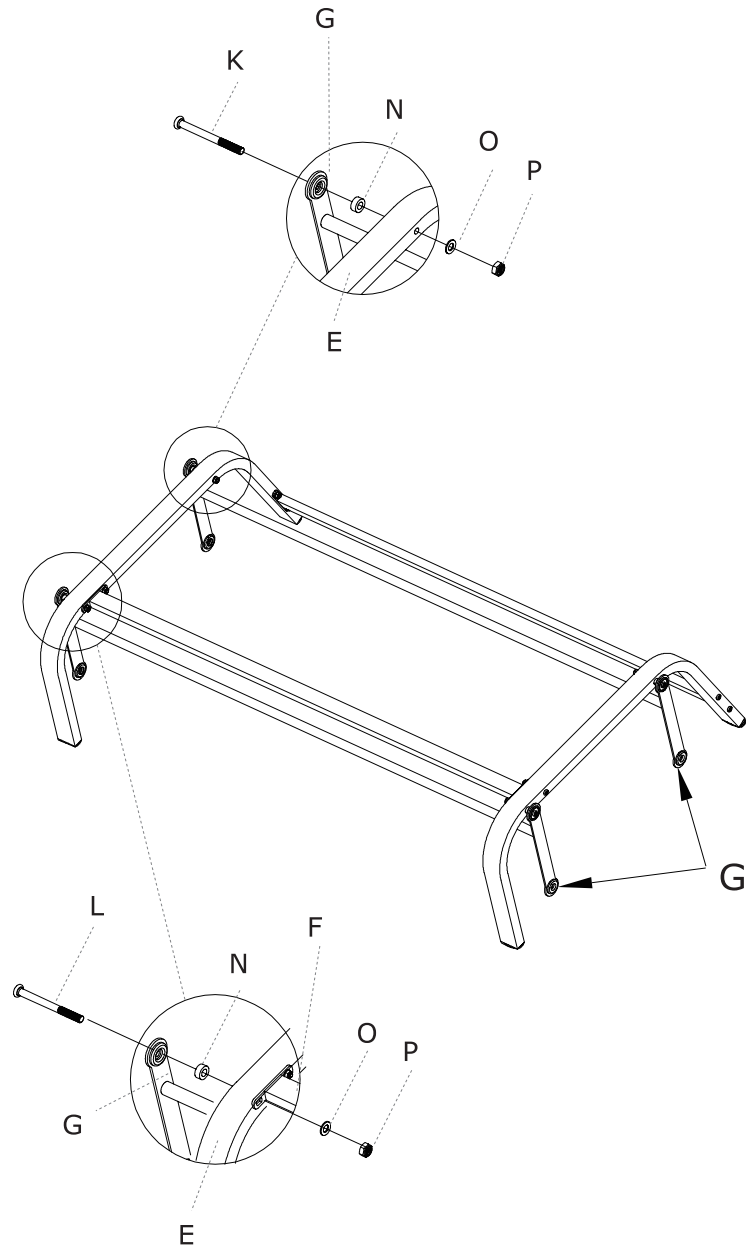
Assembly Instruction

1



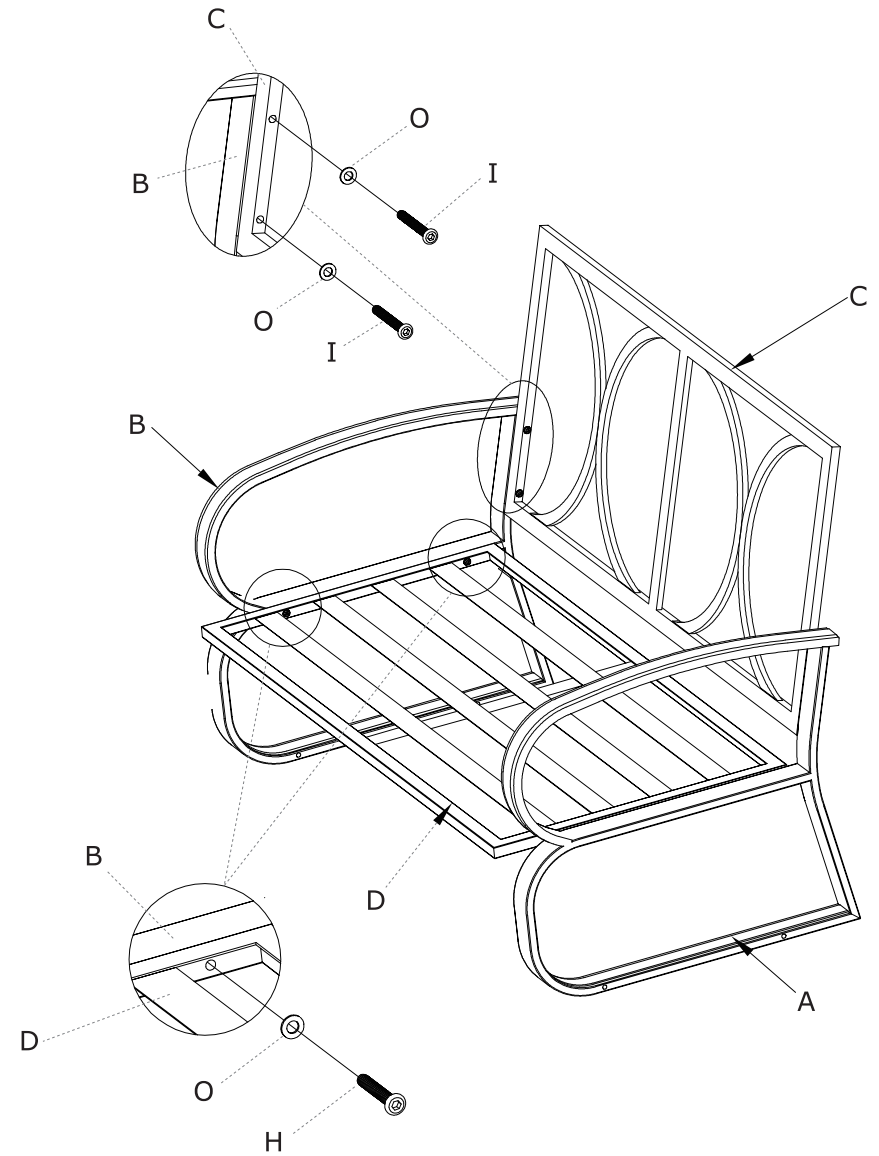
Assembly Instruction

2



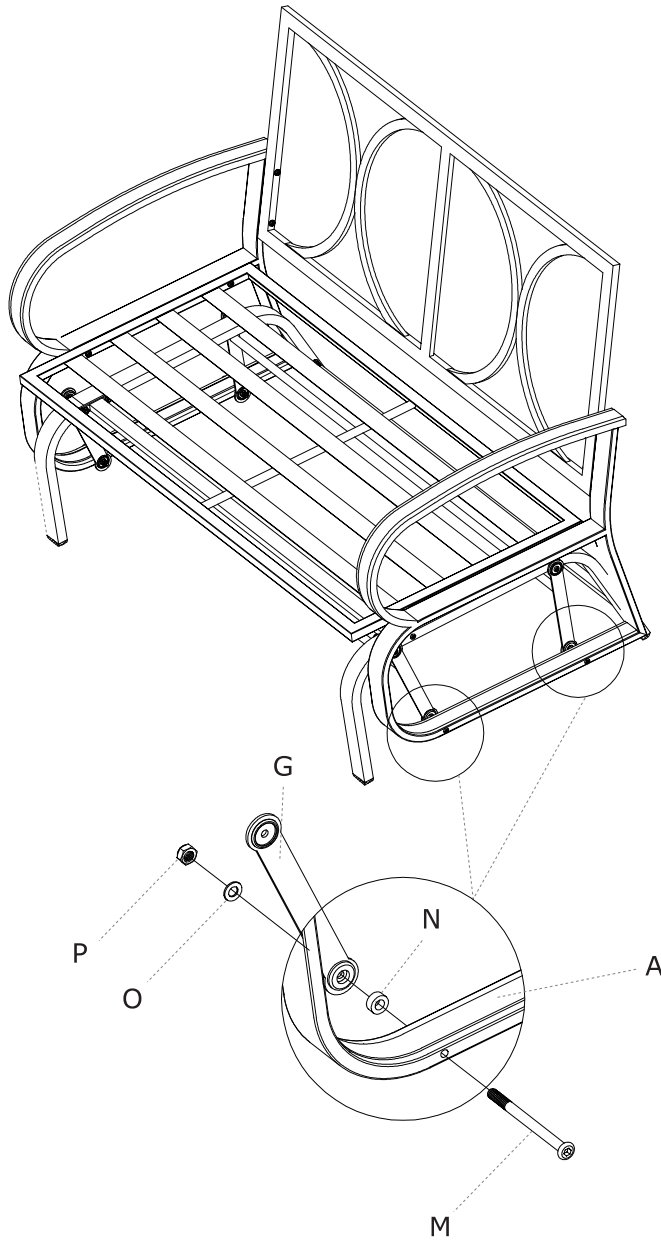
Assembly Instruction

3



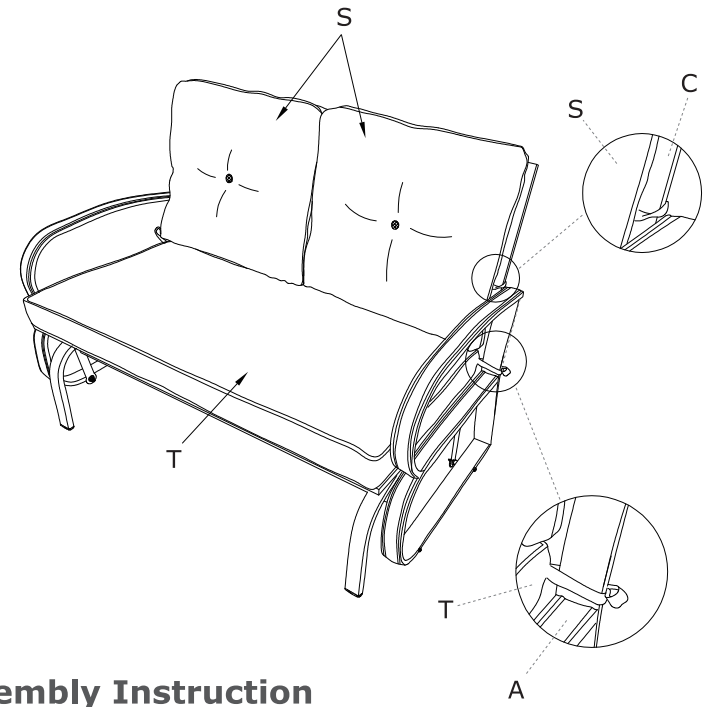
Assembly Instruction

4



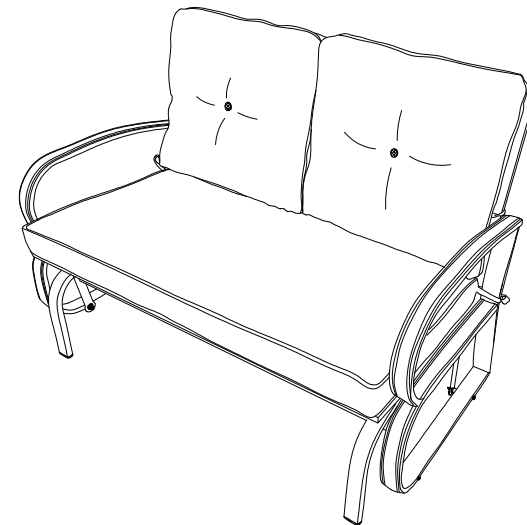
Assembly Instruction

5



Assembly Instruction

6



Care and Maintenance

Use a soft, clean cloth that will not scratch the surface when dusting.

Use of furniture polish is not necessary.

Should you choose to use polish, test first in an inconspicuous area.

Using solvents of any kind on your furniture may damage the finish.

Never use water to clean your furniture as it may cause damage to the finish.

Liquid spills should be removed immediately. Using a soft clean cloth, blot the spill gently. Avoid rubbing.

Check bolts/screws periodically and tighten them if necessary.

Further advice about wood furniture care

It is best to keep your furniture in a climate-controlled environment. Extreme temperature and humidity changes can cause fading, warping, shrinking and splitting of wood.

It is advised to keep furniture away from direct sunlight as sun may damage the finish.

Proper care and cleaning at home will extend the life of your purchase.

Following these important and helpful tips will enhance your furniture as it ages.