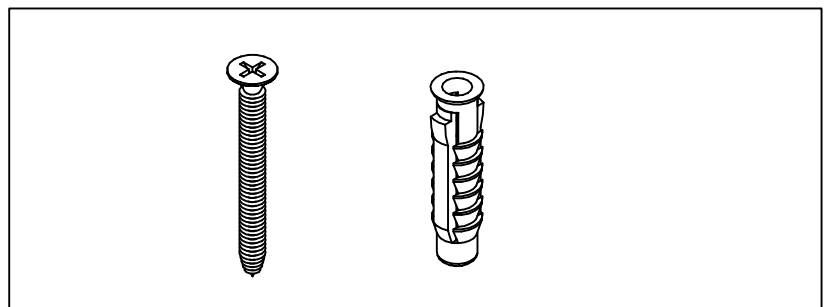


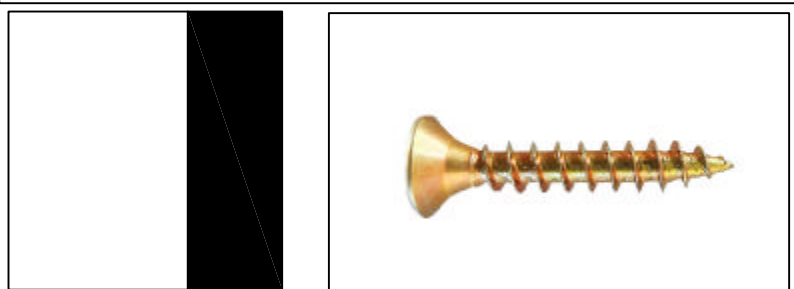
Installation wall requirements

Solid brick wall, load-bearing wall, fired hollow brick wall, wood board wall thickened insulation wall! It is not recommended to install gypsum board walls and thin plywood walls...!

1. For solid brick walls, load-bearing walls, and fired hollow brick walls, we are equipped with 10mm wall fittings



2. If it is a wooden wall (the thickness of the board needs to be at least 15 mm), please use spare screws.



Product component installation sequence diagram

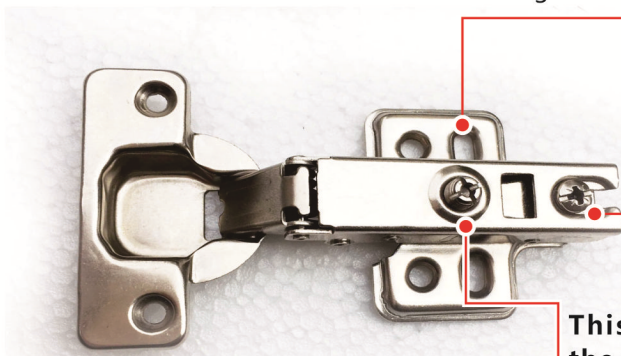
Tools Included



Tools Required



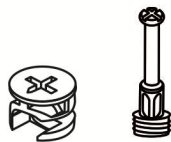
How to adjust the door hinge/hinge.



This screw of the door hinge can adjust the left and right clearance of the door

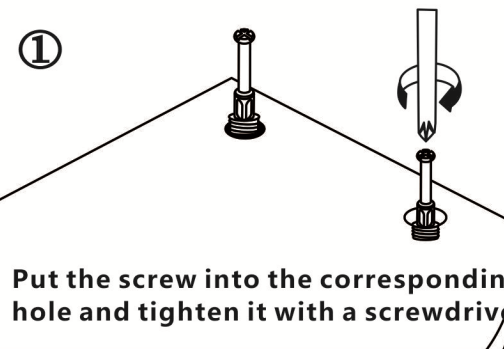
The screw on the door hinge can adjust the gap between the front and rear of the door panel and the side panel.

This screw on the door hinge can adjust the upper and lower clearance of the door panel.



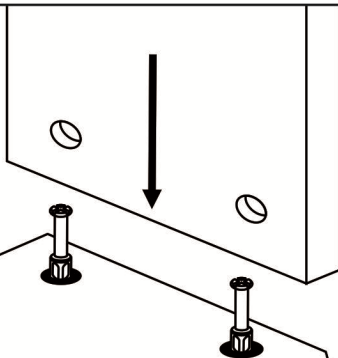
Three-in-one fastener instructions

①



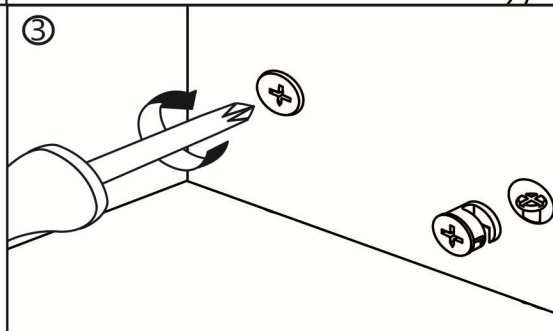
Put the screw into the corresponding hole and tighten it with a screwdriver.

②



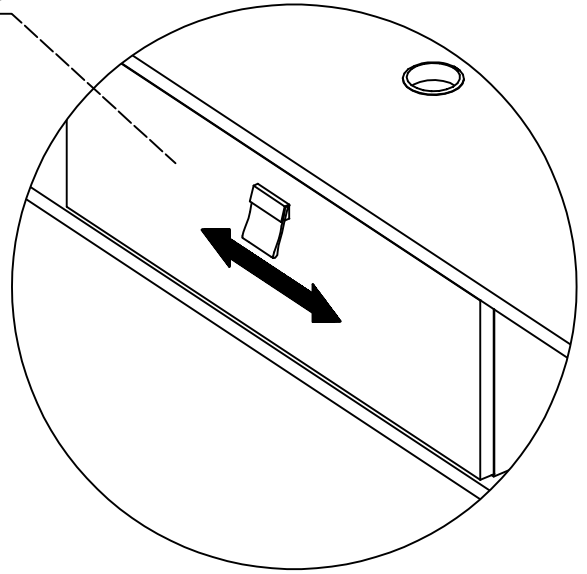
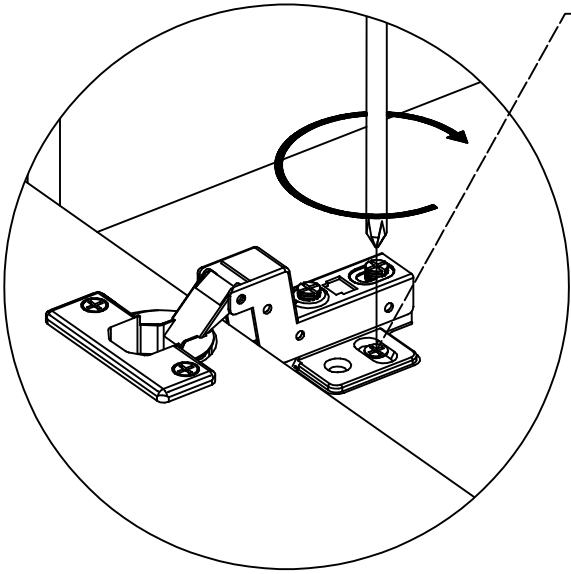
Install the corresponding plate on the orange screw plate.

③

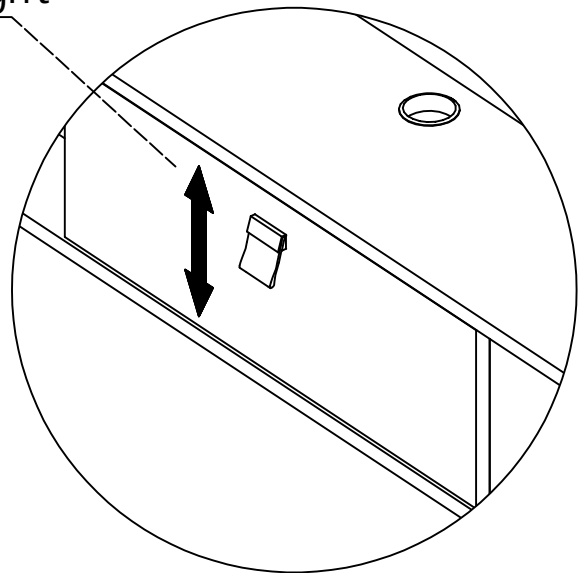
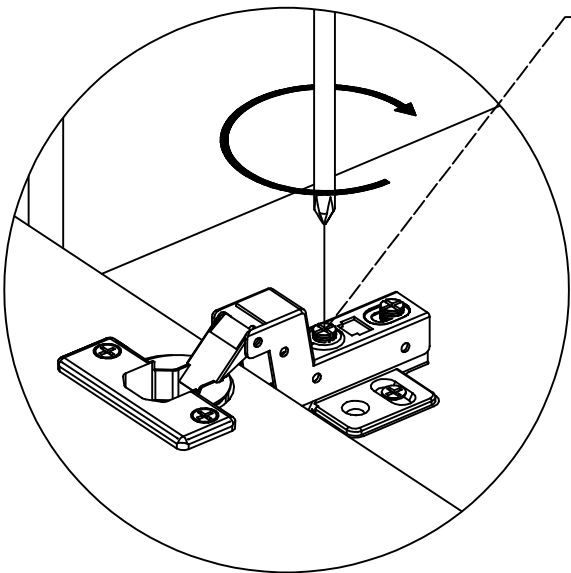


Put the screw buckle into the hole of the corresponding screw and tighten it with a screwdriver.

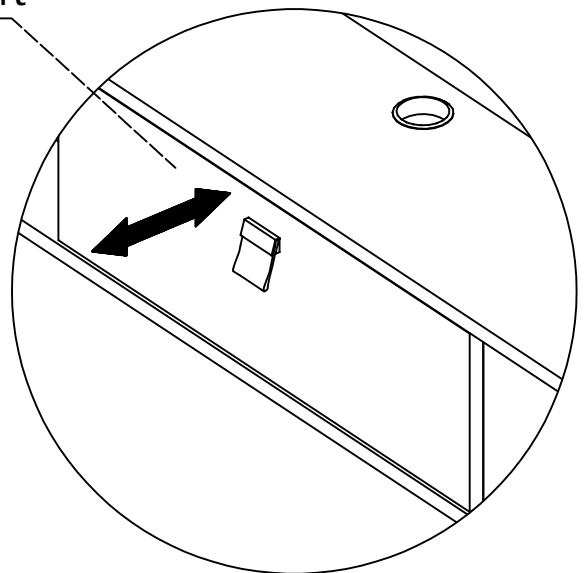
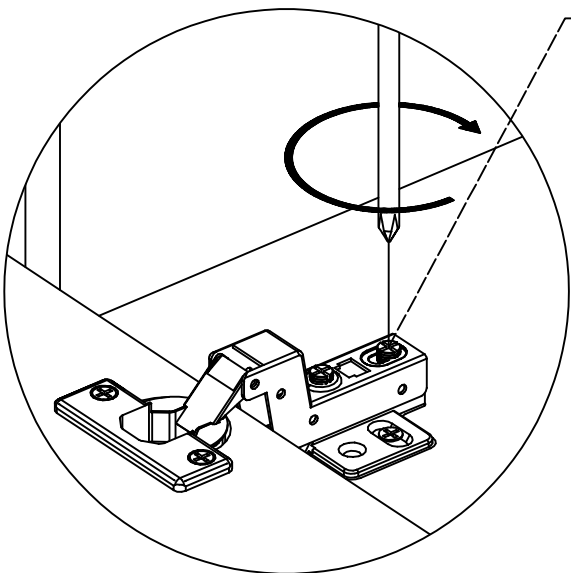
Adjust left

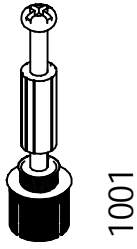


Adjust Height



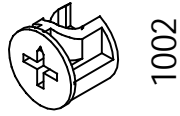
Adjust front





1001

16x



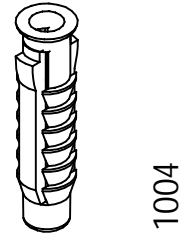
1002

16x



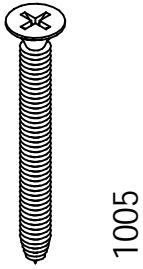
1003

24x



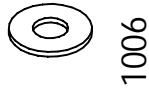
1004

6x



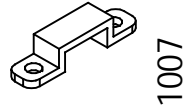
1005

6x



1006

6x



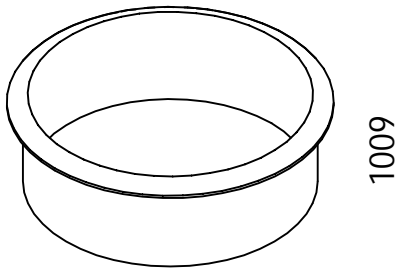
1007

6x



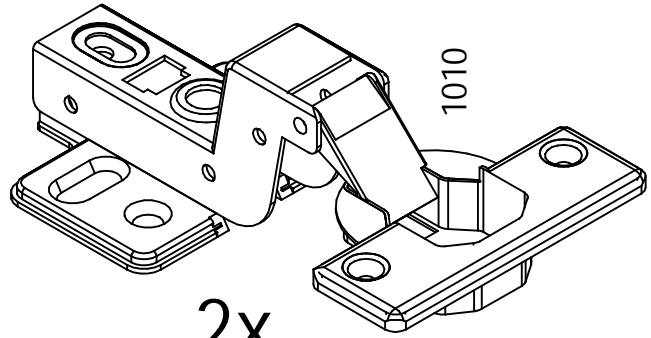
1008

12x



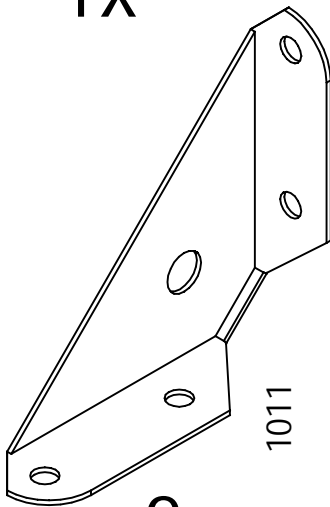
1009

1x



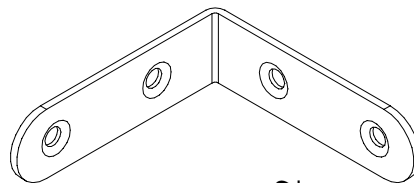
1010

2x



1011

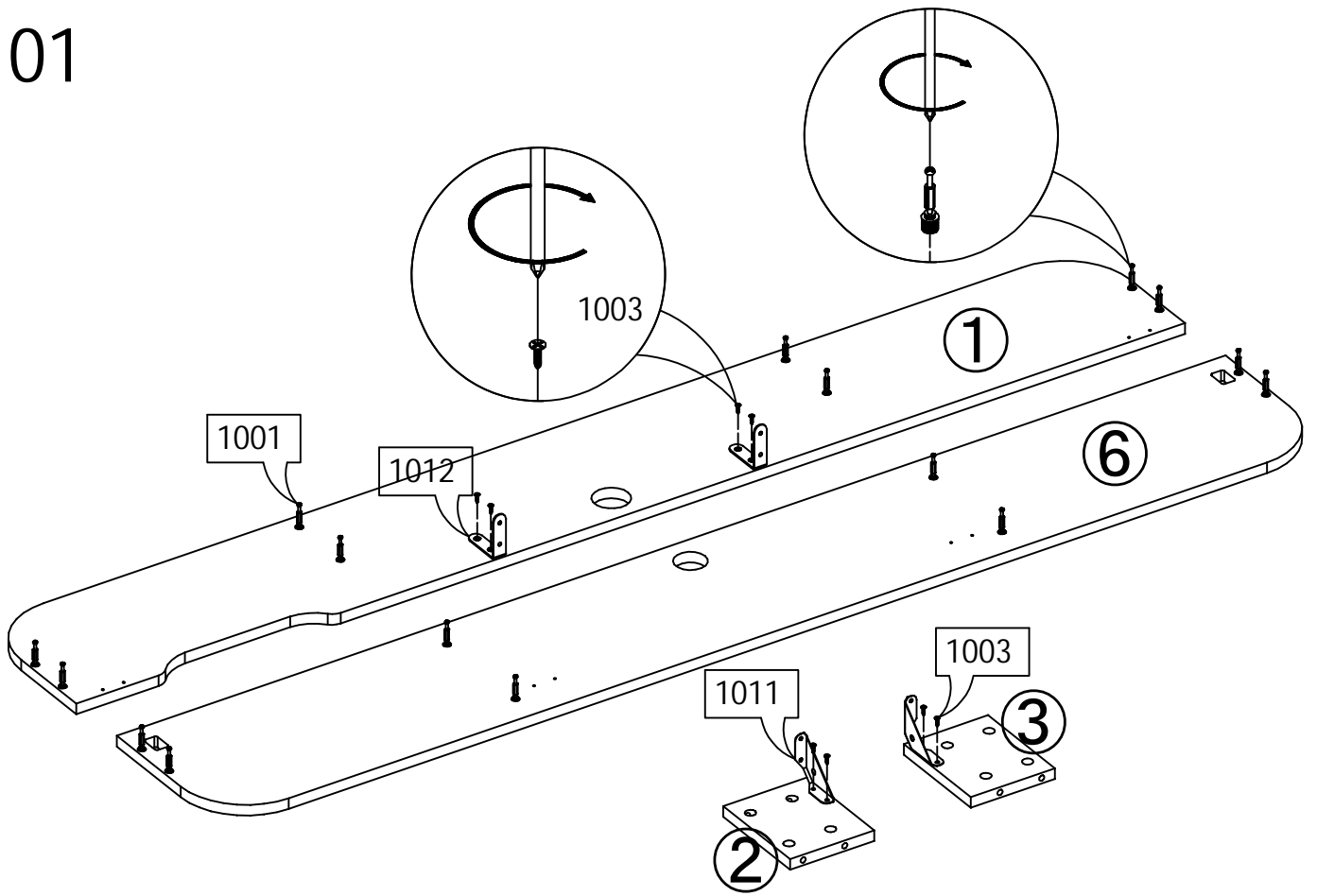
2x



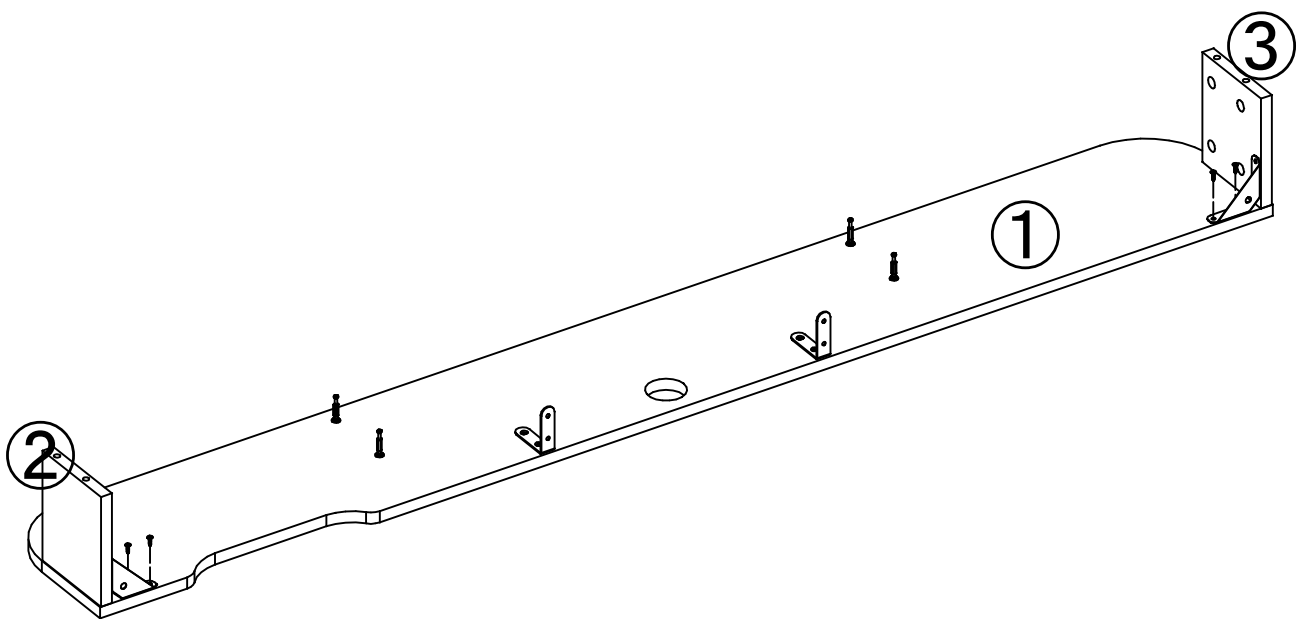
1012

2x

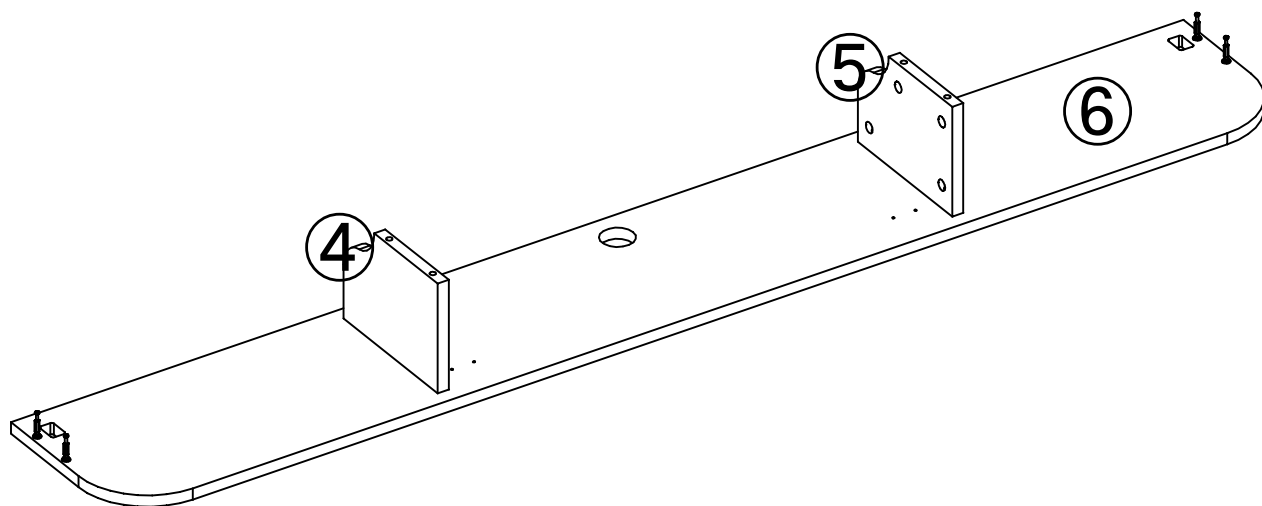
01



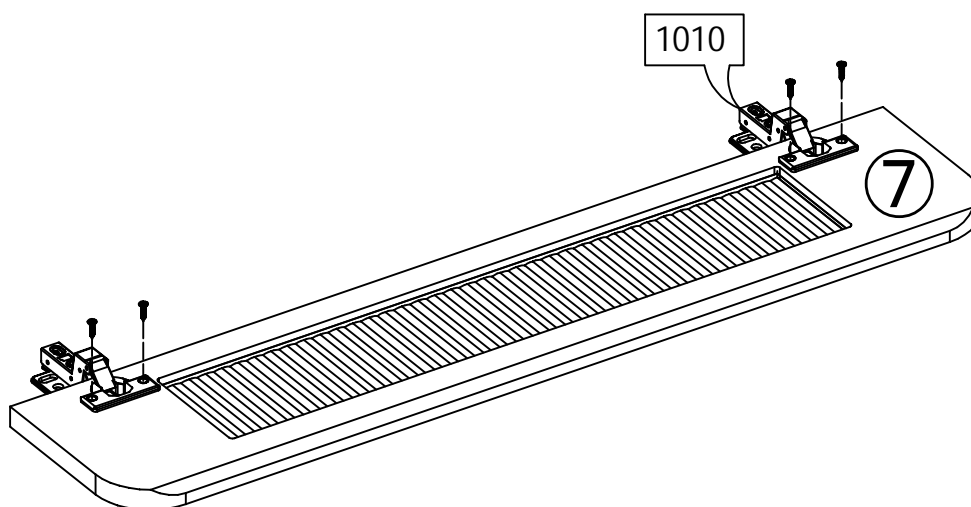
02



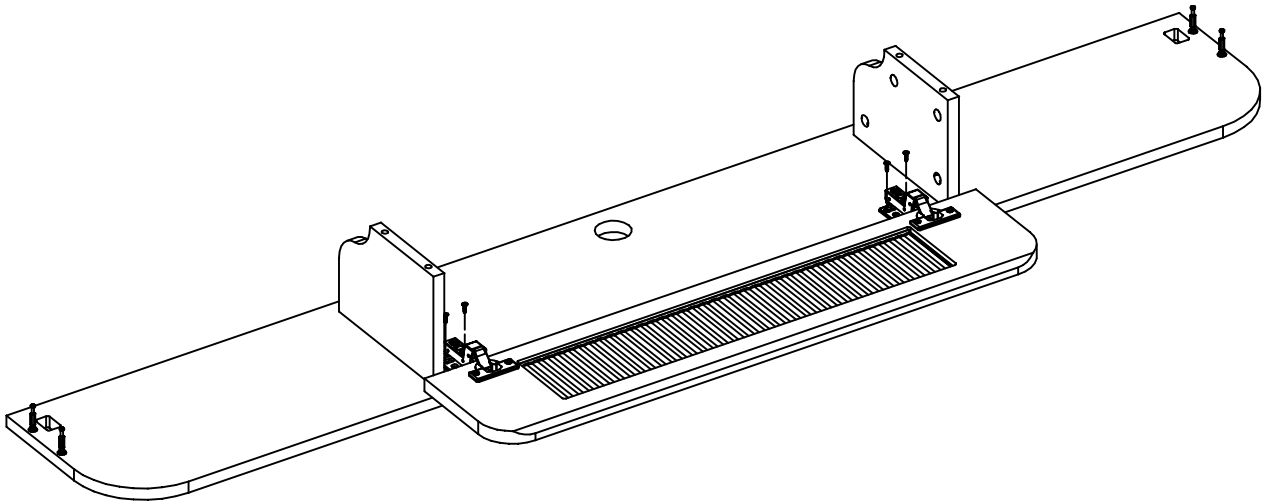
03



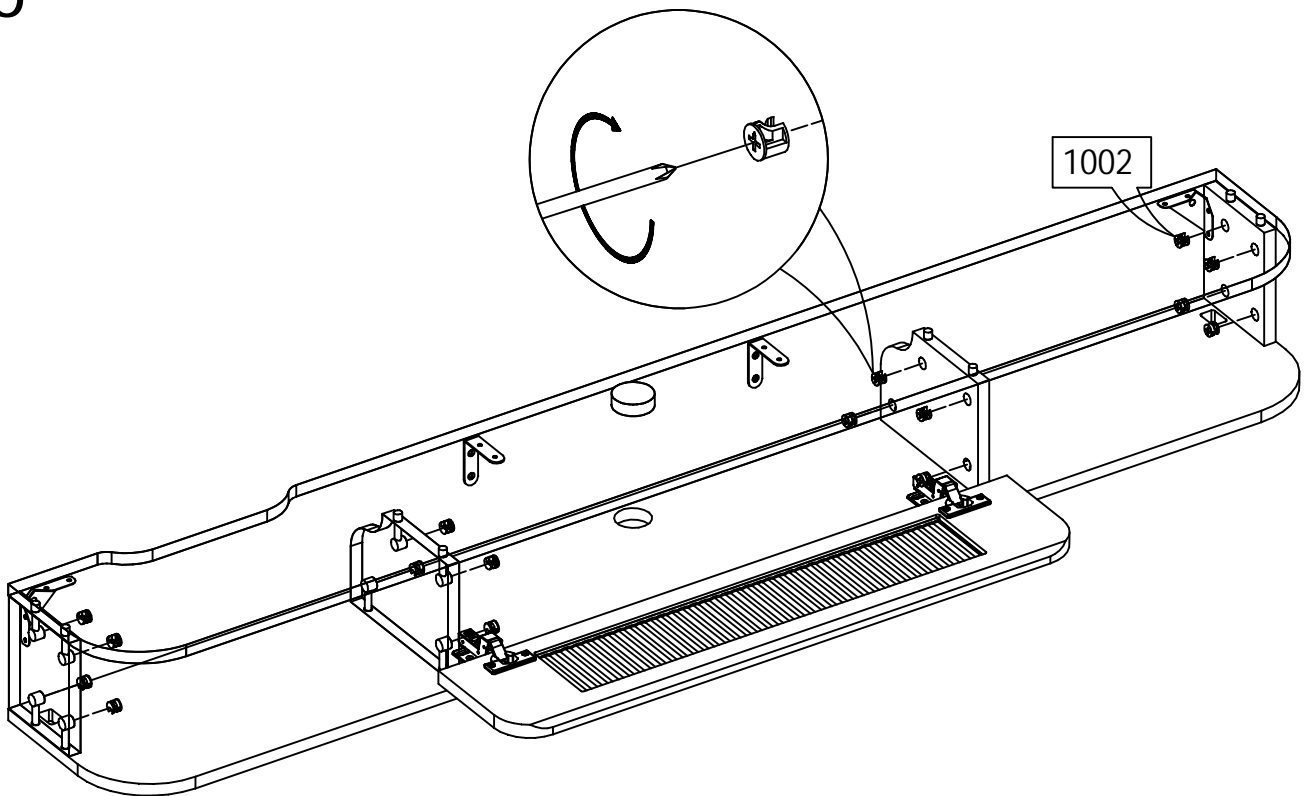
04



05

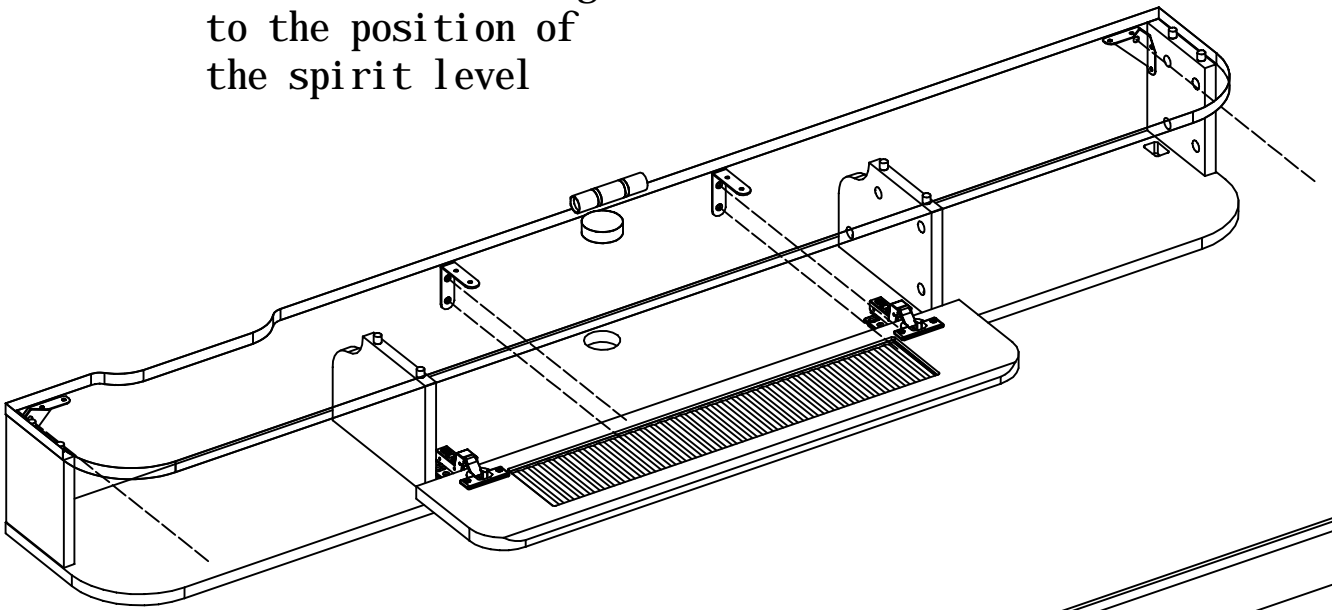


06



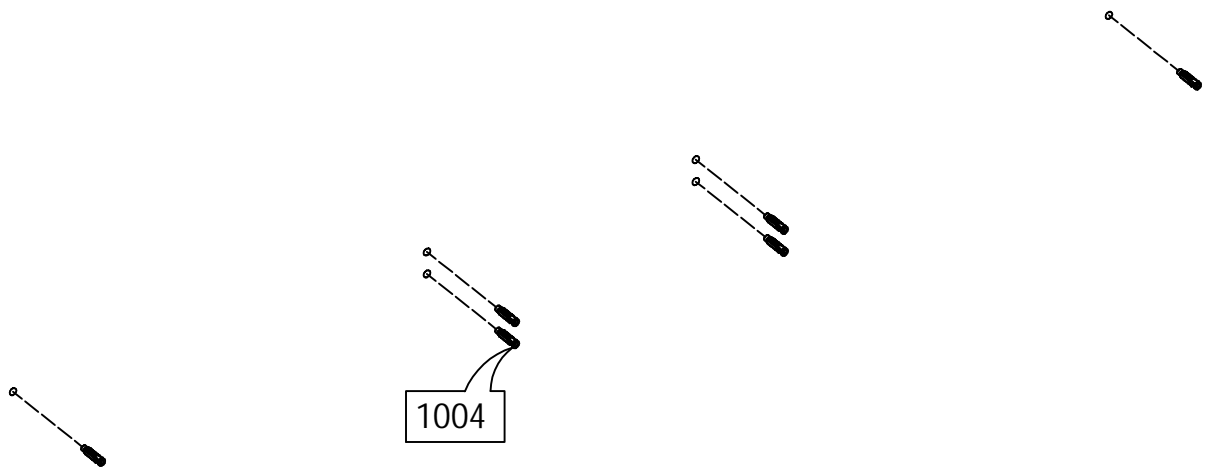
07

Locate the hole on the wall of the furniture according to the position of the spirit level

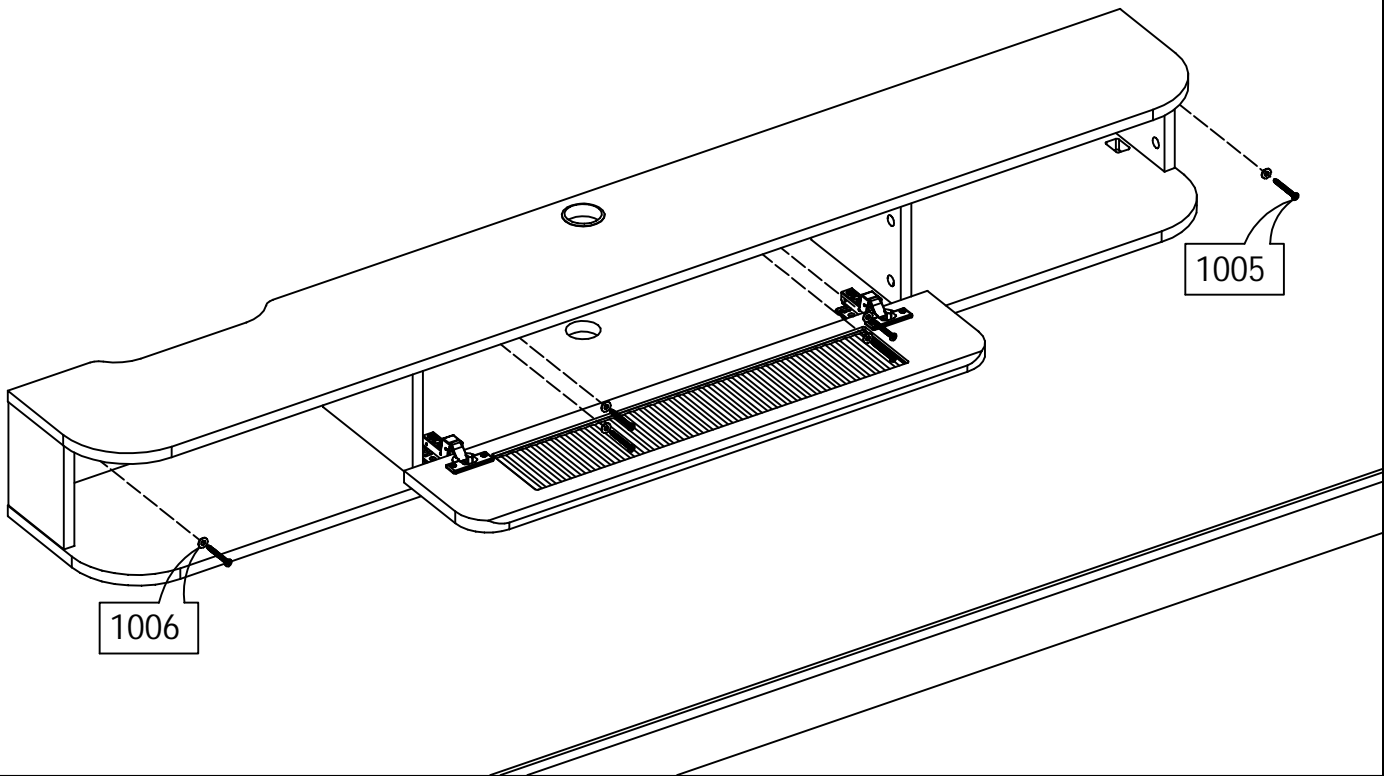


08

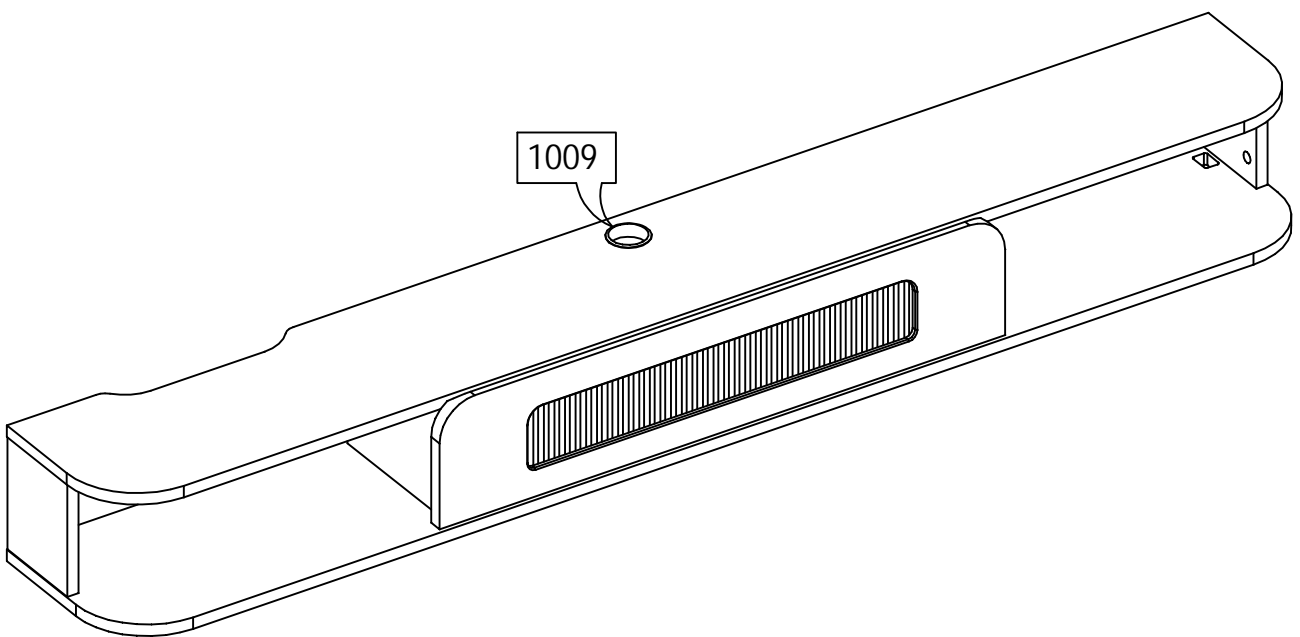
Make 8mm expansion holes on the wall



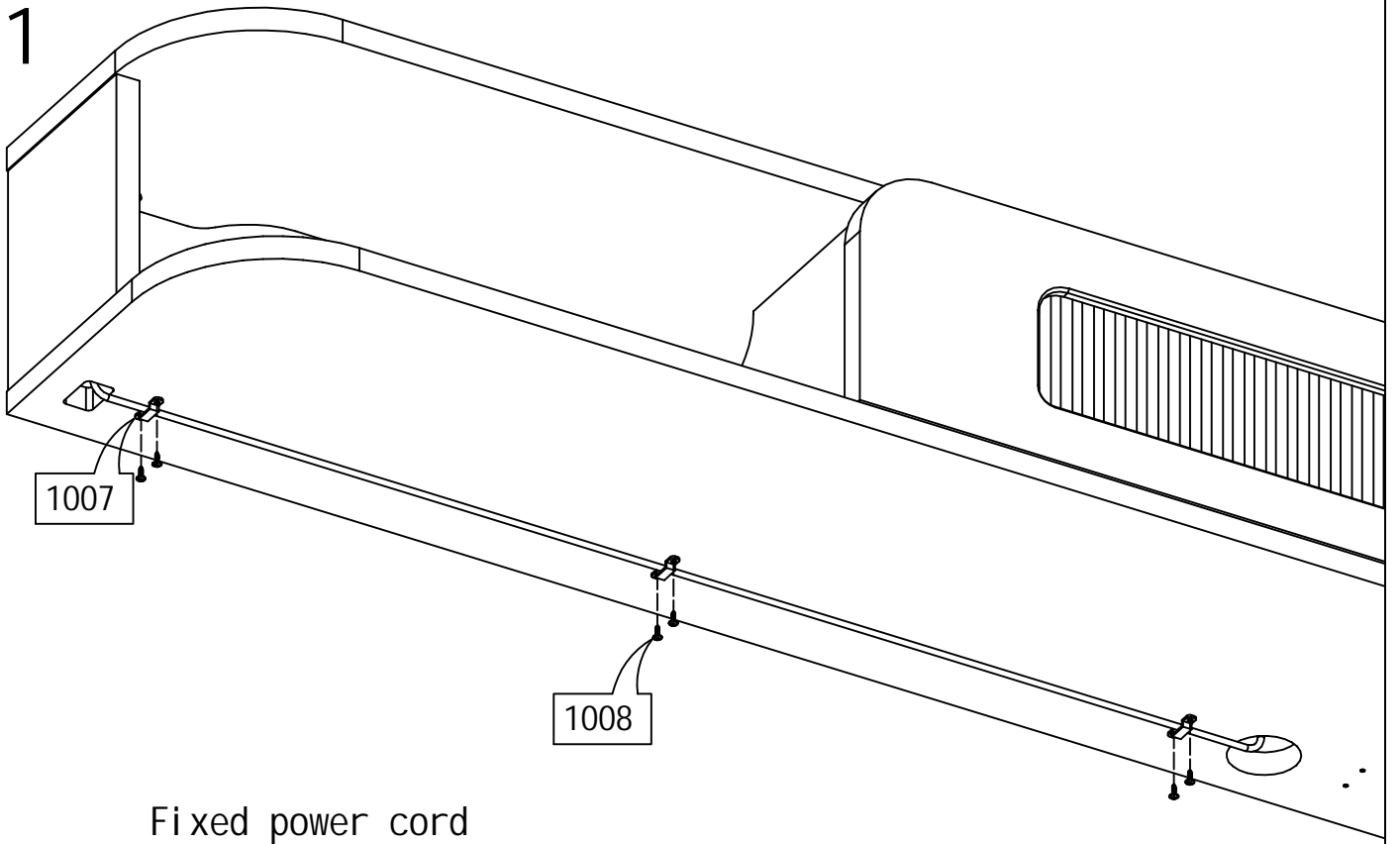
09



10



11



Fixed power cord