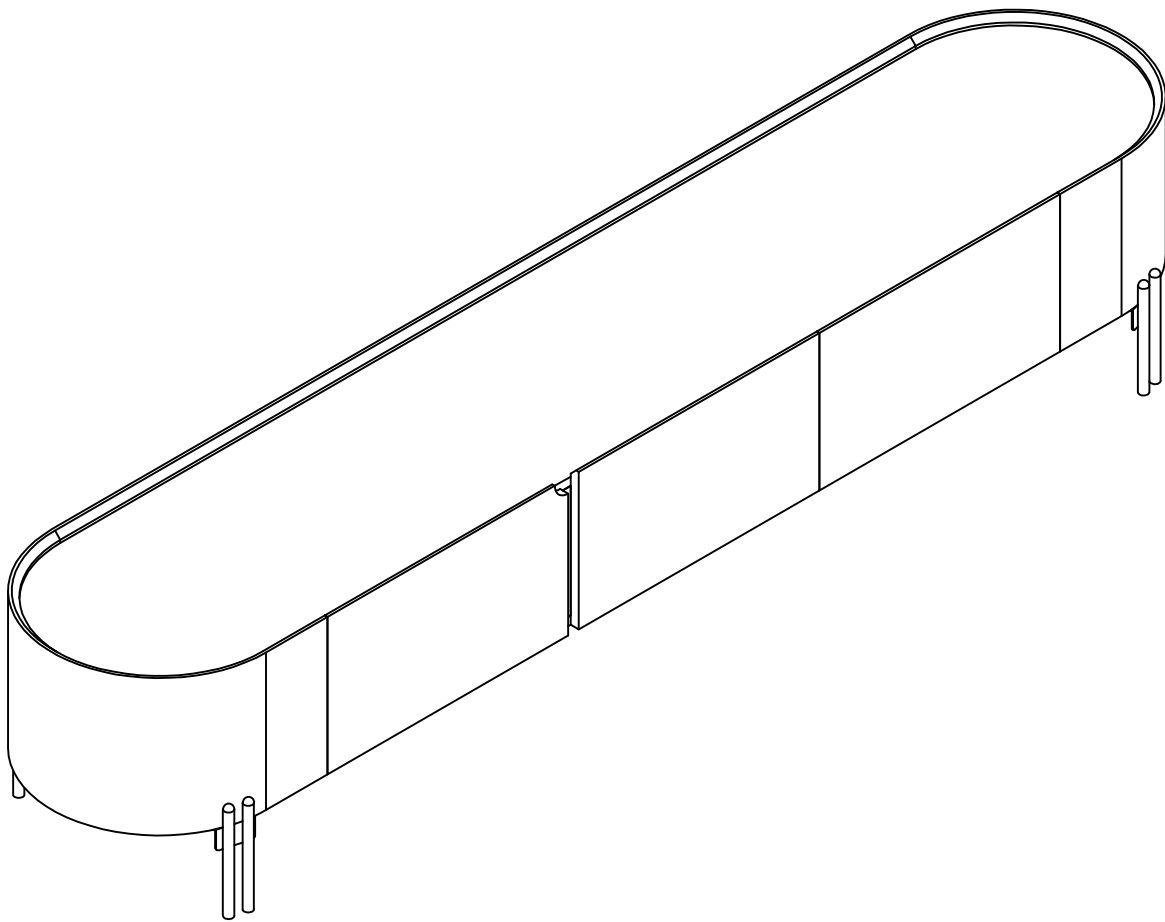


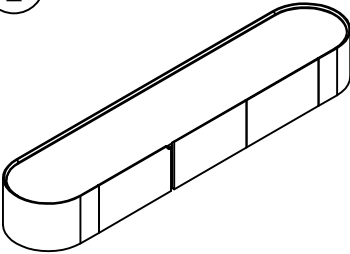
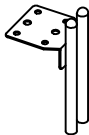
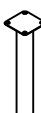
Assembly Guide

TV Stand






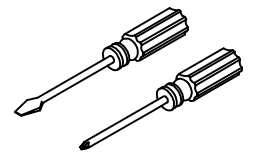
Tips: Do not throw away packing materials until assembly is complete for small parts may come loose inside the carton during shipment. If parts are missing, please contact us. Assemble this item on a soft surface, such as carpet to protect the finish.

PARTS LIST

		
Cabinet=1	Metal Leg=4	Middle Leg=1

HARDWARE LIST

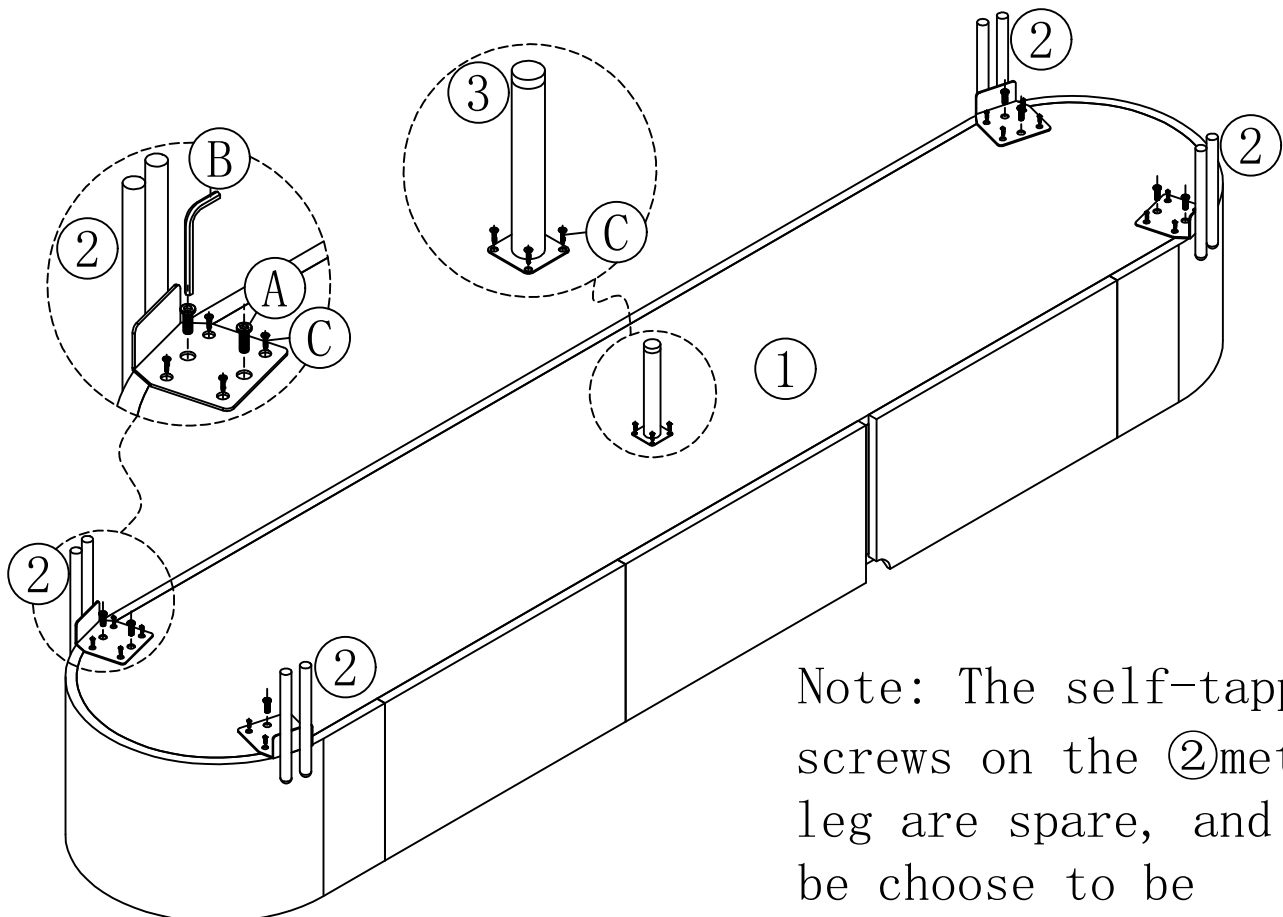
		
M6*15 Screw=8	Screwdriver=1	Self-tapping screw=20



phillips head screw driver
required
for assemble---not include

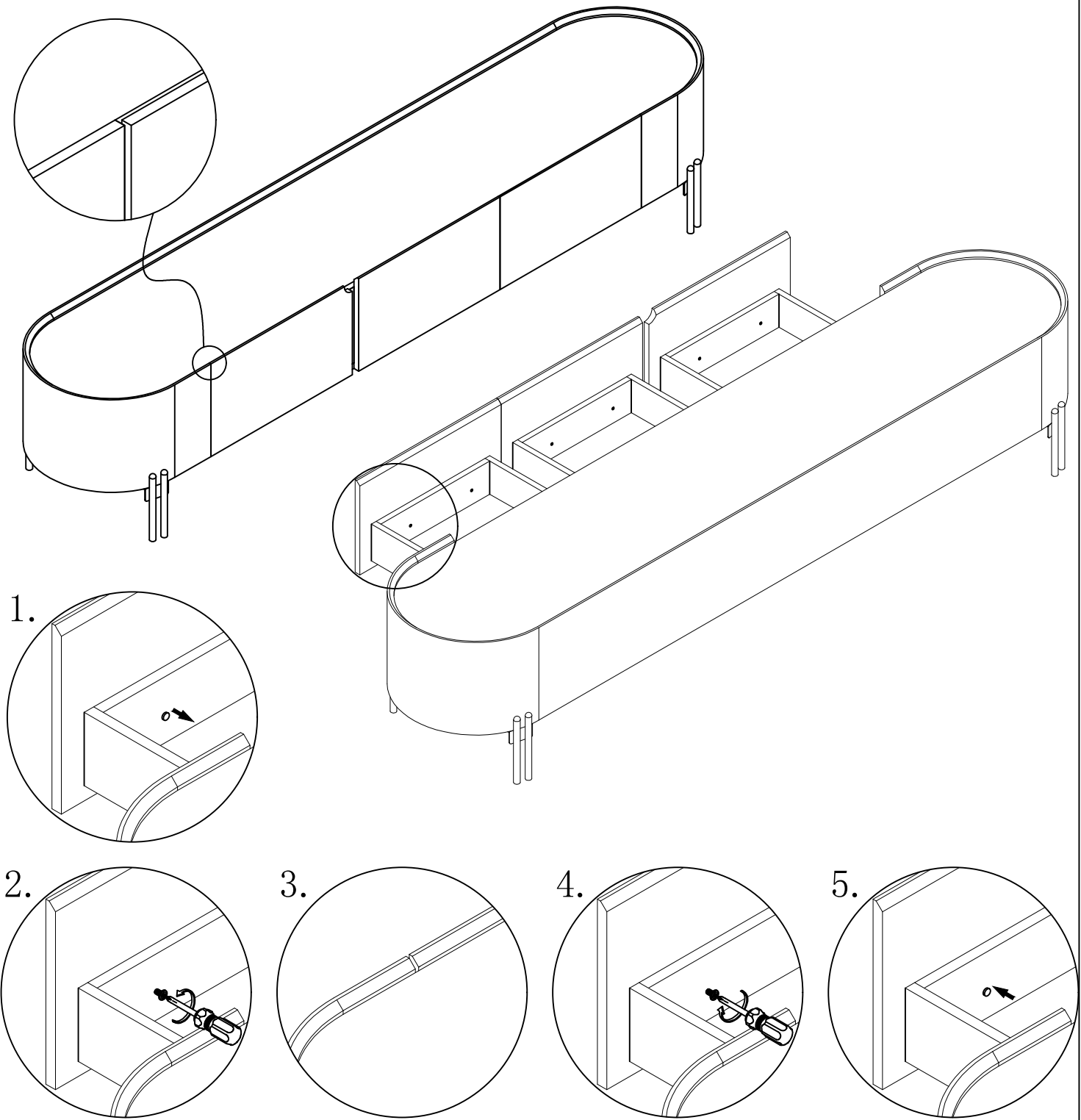
Step 1

Use A=8, B=1, C=20 to Install ②metal leg and ③middle legs on the ①Tv stand.



Note: The self-tapping screws on the ②metal leg are spare, and can be choose to be installed or not.

Step 2



If the drawer panel is crooked, you can adjust it by loosening the screws on the back of the drawer panel:

- Step 1: Remove the two caps on top of the screws with force (if it is too tight, you can use a thin knife or screwdriver to assist);
- Step 2: Loosen the screws (but do not remove them), close the drawer, and adjust the drawer panel as needed to align it with the cabinet body;
- Step 3: After completing the above steps, tighten the screws again and put the screw caps back on.