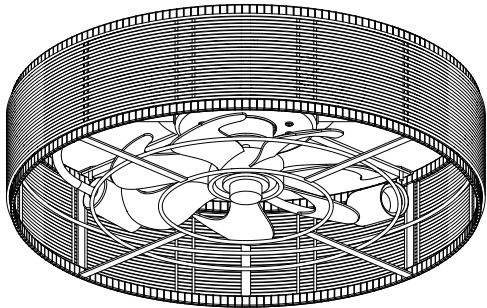


edishinē

Indoor Flush Mount Ceiling Fan

SKU: HCFM06B

[Instruction Manual]



Please pay attention to the warning signs
Read the instructions with caution before operating
and keep it properly

SAFETY INFORMATION

READ ALL SAFETY INFORMATION AND INSTALLATION INSTRUCTIONS BEFORE YOU BEGIN INSTALLING THE FAN AND SAVE INSTRUCTIONS.

CAUTION:

- All sets crews of the fan must be checked and retightened where necessary before installation.
- Do not insert foreign objects in between rotating fan blades.
- To reduce the risk of electrical shock or fire, do not use this fan with any solid-state fan speed control device. It will permanently damage the electronic circuitry.
- To reduce the risk of personal injury, do not bend the blade arms (also referred to as flanges), when installing the brackets, balancing the blades or cleaning the fan.
- The safeguards provided by these safety instructions and by the separate installation instructions are not meant to cover all possible conditions and situations that may occur. It must be understood that common sense, caution and care are factors which cannot be built into this product. These factors must be supplied by the person(s) installing, caring for, and operating the fan.

CONTENTS (Note:Hardware shown not in actual size not shown in actual size)

AA



Outlet box screws
x2

BB



Wire nuts
x3

CC



Tapping Screw (big)
x 4

DD



Anchor (big)
x 4

EE



Flat Washer
x 2



Transmitter
X1

FF



Anchor (small)
X2

GG



Tapping Screw (small)
X2



Installation Instruction
X1



Mounting plate
(Preassembled)
X1



Fan Body
X1

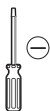
PRE-INSTALLATION

PREPARATION

To avoid damaging the product, assemble it on a soft, non-abrasive surface, such as carpet or cardboard. inspect each part for defects such as the wire insulation for any cuts, abrasions, or exposed copper that may have occurred during shipping. If there is a defect in the wire, do not continue the assembly process.

Estimated Assembly Time: 5-20 minutes

TOOLS REQUIRED



Flathead
screwdriver



Phillips
screwdriver



Wire cutter



Electrical tape



power drill



hammer



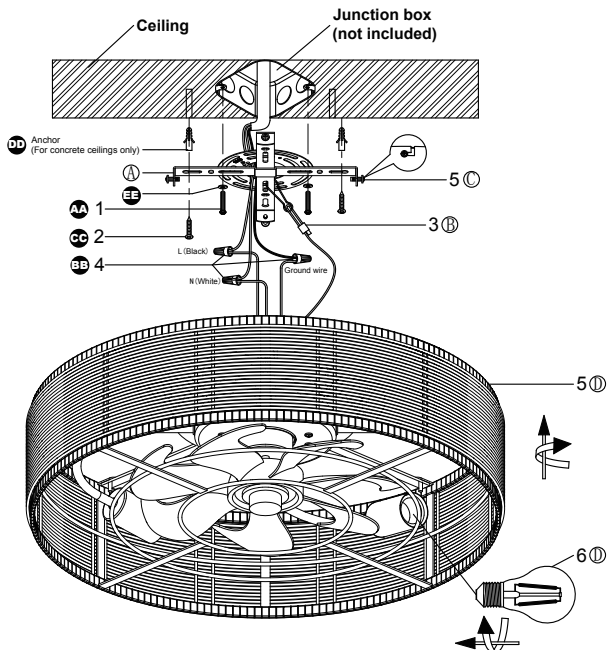
Step ladder

ASSEMBLY INSTRUCTIONS

⚠ DANGER: Failure to disconnect the power supply prior to installation may result in serious injury or death.



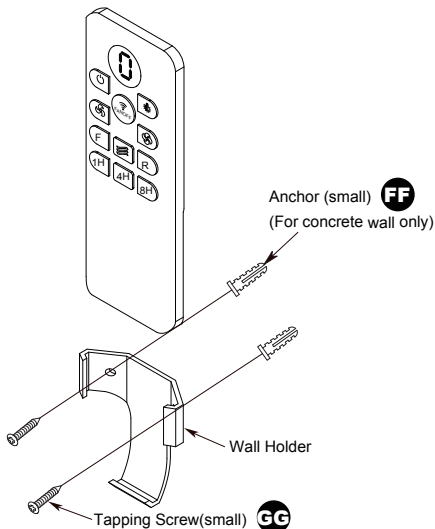
Turn off the power at fuse or circuit box.



- Fix the mounting plate(A) to the outlet box with the outlet box screws(AA) and flat washer(EE).
- Fix the mounting plate(A) to the wooden ceiling using self big tapping screws(CC). If the ceiling is concrete, drill a hole of 6MM with a hammer drill, push the big anchor(DD) into the hole with a hammer, and then use big tapping screws(CC) to lock the mounting plate(A).
- Hang the wire rope(B) on the mounting plate(A).
- Pull out the source wires from the outlet box. Make wire connections using wire Connector(BB) as follows:
 - Connect the black wire from the fan to the black wire from the power source.
 - Connect the white wire from the fan to the white wire from the power source.
 - Connect the green ground wire (bare copper ground wire) from the fan to the ground wire from the power source. Carefully put the wires back into the outlet box.
- Attach the fan body(D) to mounting plate(A).
 - Align the "L-shaped" holes of the fan body(D) with the screws(C) on the mounting plate(A), rotate the fan body(D) until the screws(C) hold into the "L-shaped" holes.
 - Tighten the 4 screws(C) on the mounting plate.
- Install the E26 LED bulb (not included) clockwise on the lamp cap.
- Turn on the power at fuse or circuit box, and enjoy your fan and light.

TRANSMITTER SPECIFICATION

Attach wall holder using the two tapping screws (GG) and anchor(FF)



1. Remove the battery cover.
2. Install two 1.5V AAA batteries (sold separately), fig 1.
3. Re-install the battery cover.

NOTE: After the battery is installed, press any key to make the transmitter work on, and the indicator light will be on.

If the indicator light is not on, please check whether the positive and negative electrodes of the battery are inverted, or the battery is loose and out of position.

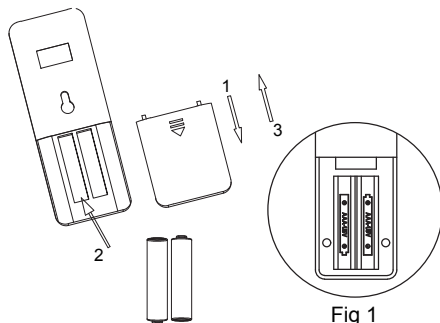
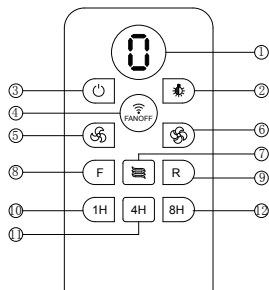


Fig 1

Transmitter



Transmitter decoding operation:

If the transmitter you received does not work or a new transmitter needs to be decoding as follows.

Within 5 seconds after the receiver is powered on, press and hold on the key of fan off (4) for 3 seconds to code. If code successfully, you will hear a sound "beep" from buzzer.

Functions of receiver and transmitter:

1. Display screen (Press any key and the display will tell you) .

2. Light on/off.
3. Close all (turn off the light and fan).
4. Fan off.
5. The fan speed decreases(The number on the display screen is 6...1).
6. The fan speed increase(The number on the display screen is 1...6).
7. Natural wind.
8. The fan rotates clockwise.
9. The fan rotates counterclockwise.
10. The Light and fan will turn off after 1 hours.
11. The Light and fan will turn off after 4 hours.
12. The Light and fan will turn off after 8 hours.

MAINTENANCE

1. The fan natural movements may cause some connections to work loose. A clicking or rattling noise is a certain sign of loosening screws. Check the support connections, brackets and blade attachment twice a year, and tighten all screws as necessary. Make sure all screws attaching the glass screws are tightened.
2. Clean your fan periodically. Use only a cloth dampened with a mild detergent solution. Never use solvents. Dust with a soft cloth or brush. Metal finishes are finished with a lacquer to prevent tarnishing.
3. You will never need to oil your fan. Its permanently sealed bearing will prevent silent, trouble free operation for many years.
4. Make sure the power is turned off at the main fuse or circuit panel before you attempt any repairs.

One Year Limited Warranty

Supported by our professional R&D team and QC team, we provide One Year Warranty for materials and workmanship from the purchase date. Please note that the warranty does not cover damage caused by personal misuse or improper installation.

Please attach your Order ID and Name so that our dedicated customer service team can help you better.