











Assembly Instructions

Caution: You must read this before you proceed

Care & Maintenance

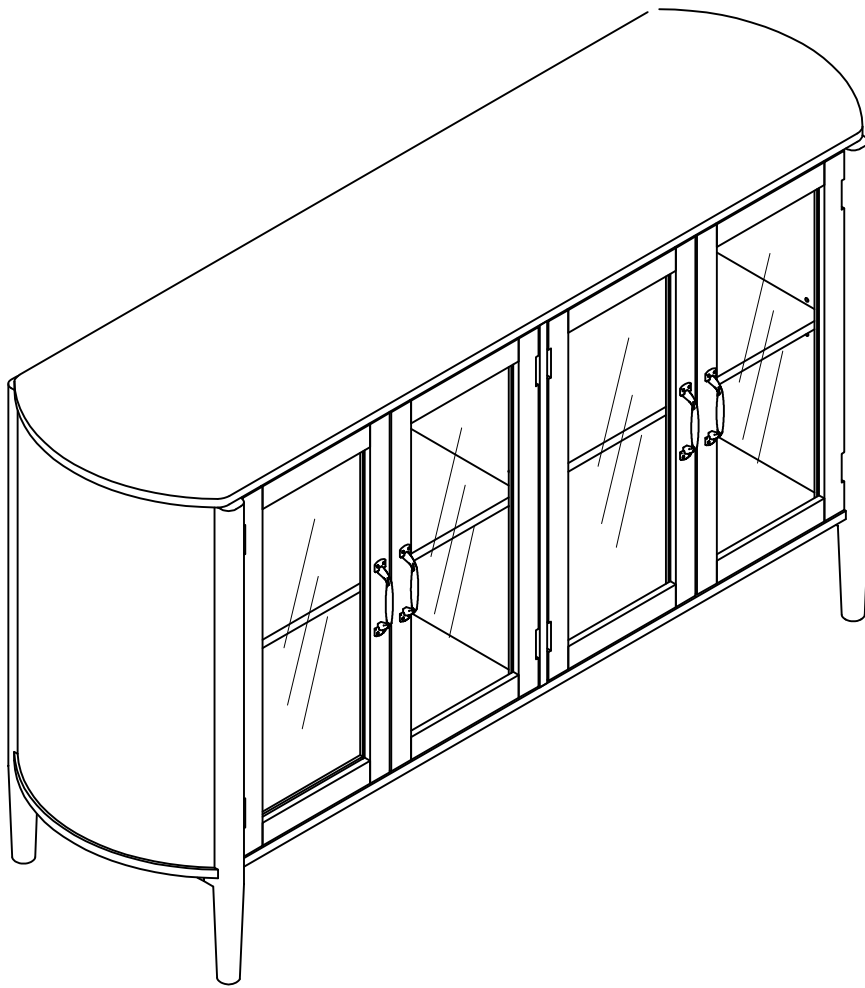
	<ul style="list-style-type: none">● Not for commercial use. For residential use only.
	<ul style="list-style-type: none">● Do not put hot items directly on furniture surface.
	<ul style="list-style-type: none">● Do not clean furniture with harsh cleansers or polish.
	<ul style="list-style-type: none">● Do not place furniture under direct sunlight.
	<ul style="list-style-type: none">● Do not place furniture near heating or cooling vents.
	<ul style="list-style-type: none">● Do not write on furniture without a padded barrier to protect the surface.
	<ul style="list-style-type: none">● Do not place furniture outside . For indoor use only.
	<ul style="list-style-type: none">● Stains may be removed with mild soap solution and damp cloth.
	<ul style="list-style-type: none">● Children should not climb or jump on the furniture.
	<ul style="list-style-type: none">● Dust and pick-up spills using a clean, non-colored, lint-free cloth.

Please look in Corner of Carton for hardware packs .

Sets often ship in multiple boxes and may arrive a day or two apart.

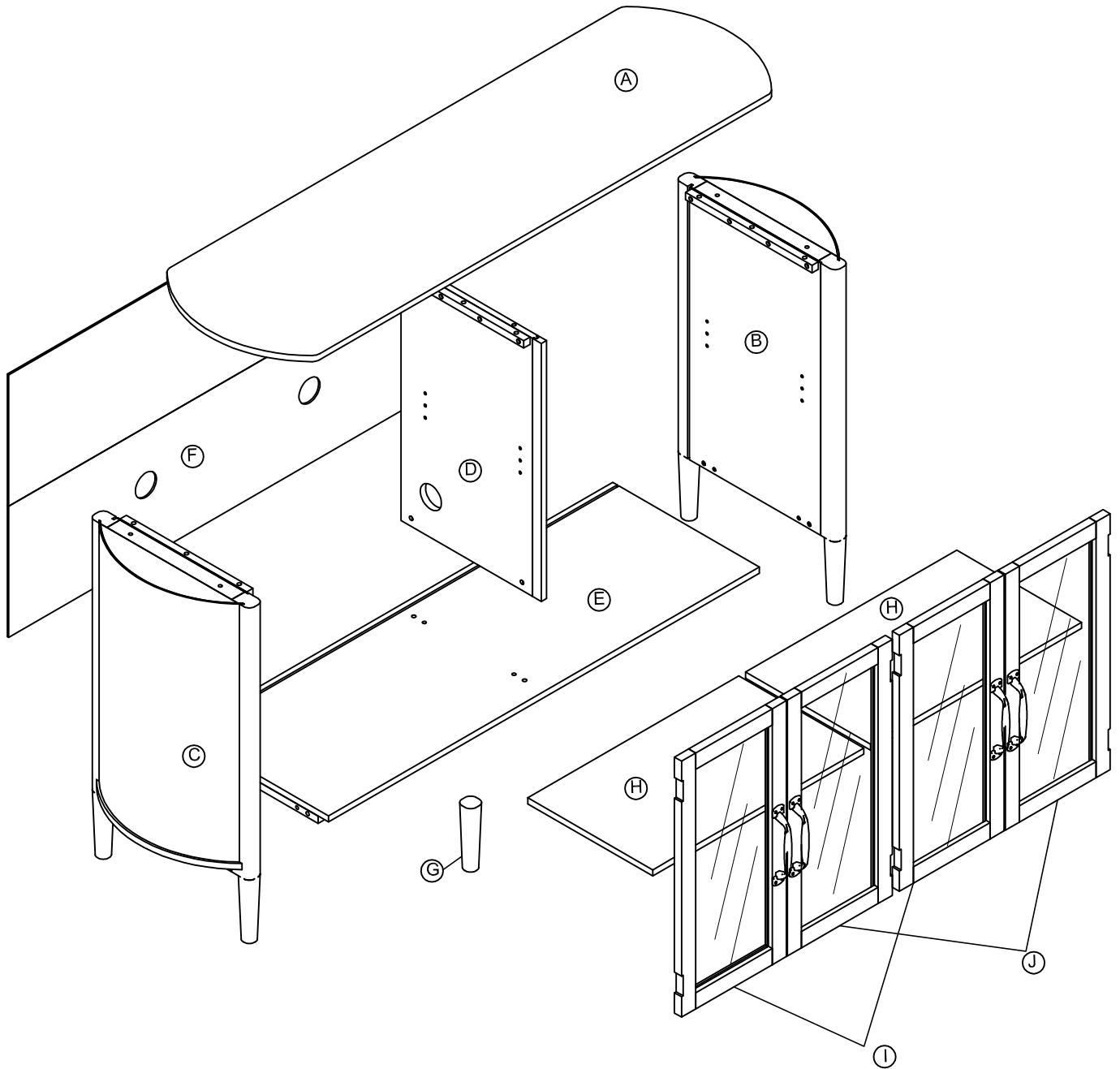
ASSEMBLY INSTRUCTION

SIDEBOARD



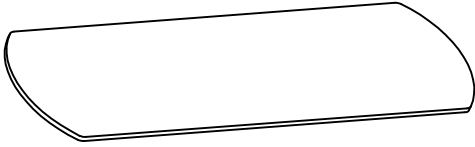
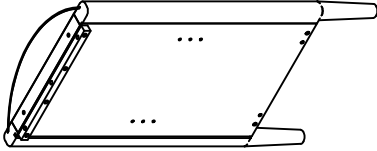
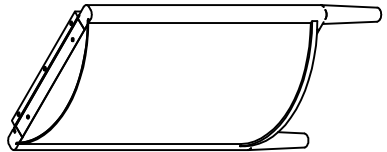

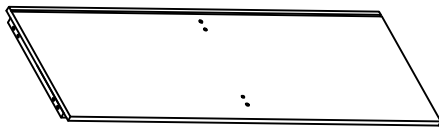
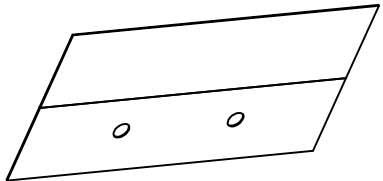

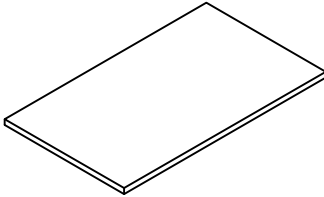
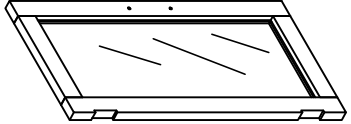
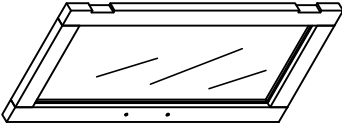
2 - People

ASSEMBLY INSTRUCTION



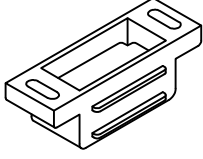
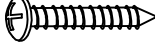

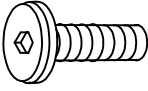
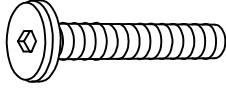



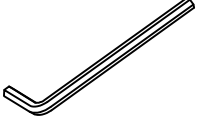
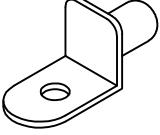



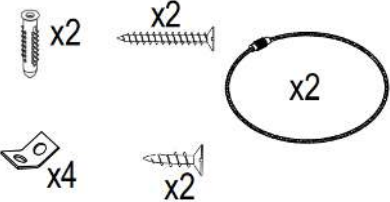
ASSEMBLY INSTRUCTION

Pack List

<p>(A)</p> 	<p>(B)</p> 	<p>(C)</p> 
<p>Table Top =1pc</p>	<p>Right Side=1pc</p>	<p>Left Side=1pc</p>
<p>(D)</p> 	<p>(E)</p> 	<p>(F)</p> 
<p>Middle=1pc</p>	<p>Bottom=1pc</p>	<p>Back =1pc</p>
<p>(G)</p> 	<p>(H)</p> 	<p>(I)</p> 
<p>Support Leg =1pc</p>	<p>Shelf =2pcs</p>	<p>Left Doors =2pcs</p>
<p>(J)</p> 		
<p>Right Doors =2pcs</p>		

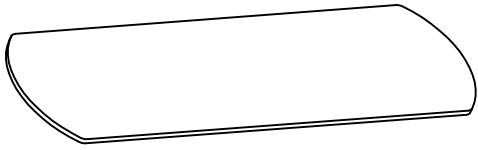
ASSEMBLY INSTRUCTION

Pack List

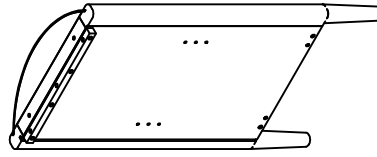
<p>①</p> 	<p>②</p> 	<p>③</p> 
<p>Magnetic Door Catch =4PCS +Extra 1pc</p>	<p>Mushroom screw M3 x 15=12pcs +Extra 2pcs</p>	<p>Wooden Dowel Ø8 x 30mm =12pcs +Extra 1pc</p>
<p>④</p> 	<p>⑤</p> 	<p>⑥</p> 
<p>Short Bulong 1/4" x 25mm= 13pcs +Extra 1pc</p>	<p>Long Bulong 1/4" x 38mm = 2pcs +Extra 1pc</p>	<p>T Nut 10 x 12 =2pcs +Extra 1pc</p>
<p>⑦</p> 	<p>⑧</p> 	<p>⑨</p> 
<p>Spring Washer =15pcs +Extra 1pc</p>	<p>Flat Washer =15pcs +Extra 1pc</p>	<p>Allen Key K4 x 80 =1pc +Extra 1pc</p>
<p>⑩</p> 	<p>⑪</p> 	<p>⑫</p> 
<p>Support Shelf =8PCS +Extra 1pc</p>	<p>Bolt of Handle M4 x 25 =8pcs +Extra 1pc</p>	<p>Handle 20 x 22 x 130mm =4pcs</p>
<p>⑬</p> 		
<p>Leverler =4pcs +Extra 1pc</p>		
<p>⑮</p> 		
<p>ANTITIP KIT =2SETS</p>		

Assembly Preparation

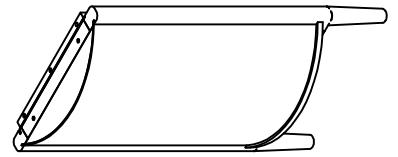
Before Beginning Assembly:



A x 1



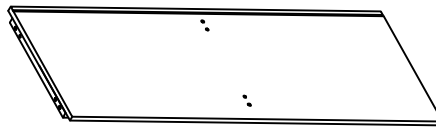
B x 1



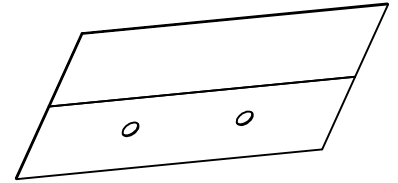
C x 1



D x 1



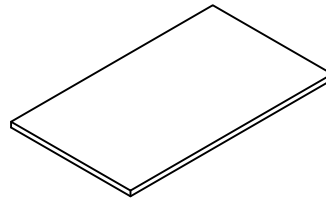
E x 1



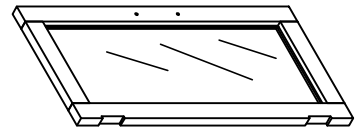
F x 1



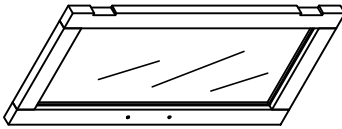
G x 1



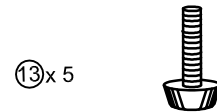
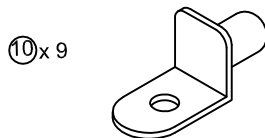
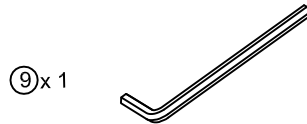
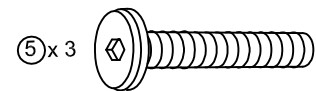
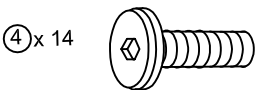
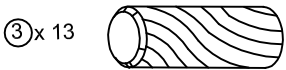
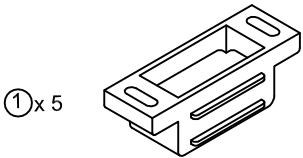
H x 2



I x 2



J x 2



⑭ x 2



⑯ x 4



Assembly Preparation

Before Beginning Assembly:



- Read instructions, cover to cover-



- Have 2 adults on hand for assembly-



- Do not assemble on flooring or carpet-



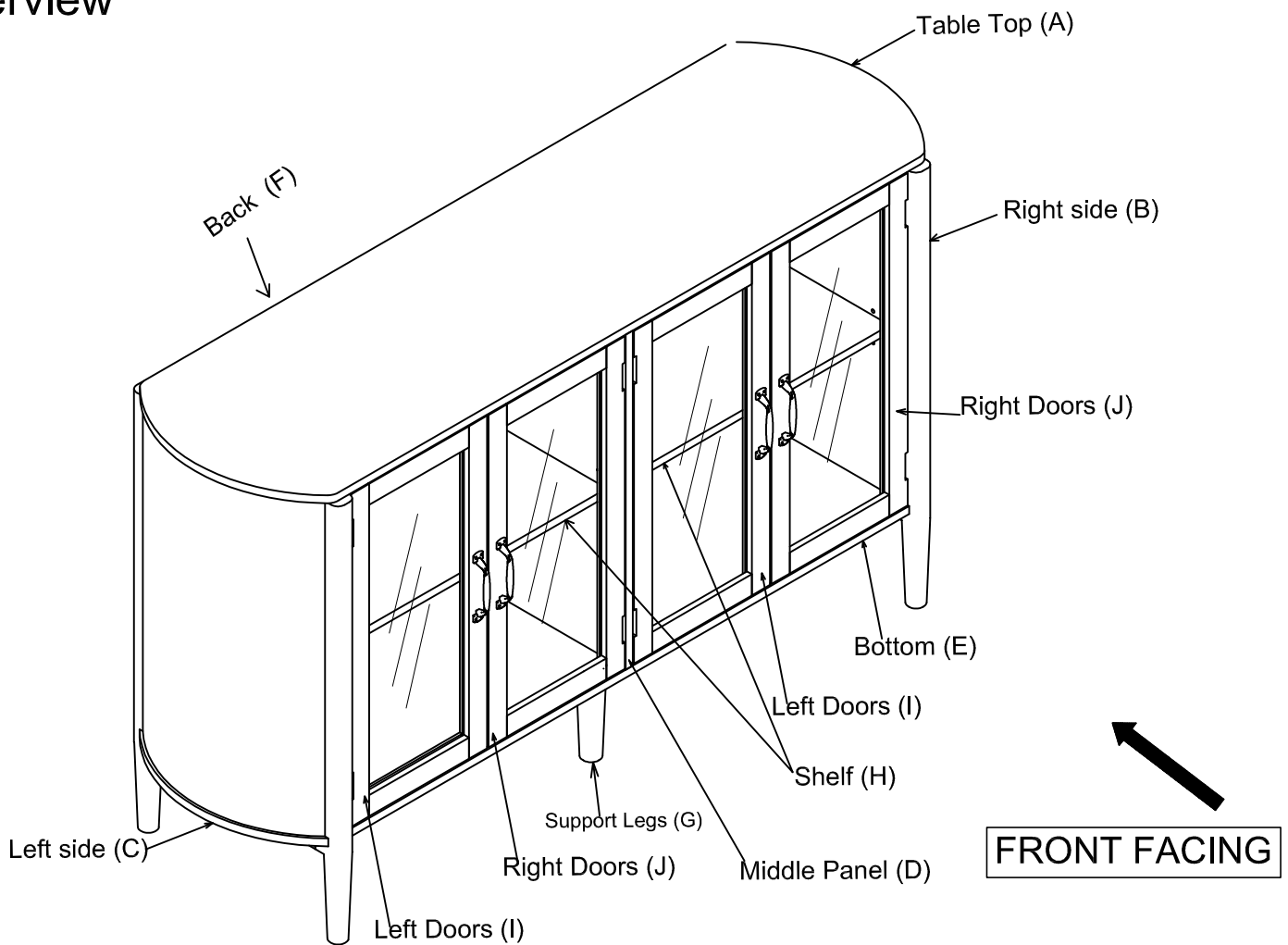
- Assemble on a clean non-marring surface (packing foam)-



- Save all packaging until finished-

Assembly Steps

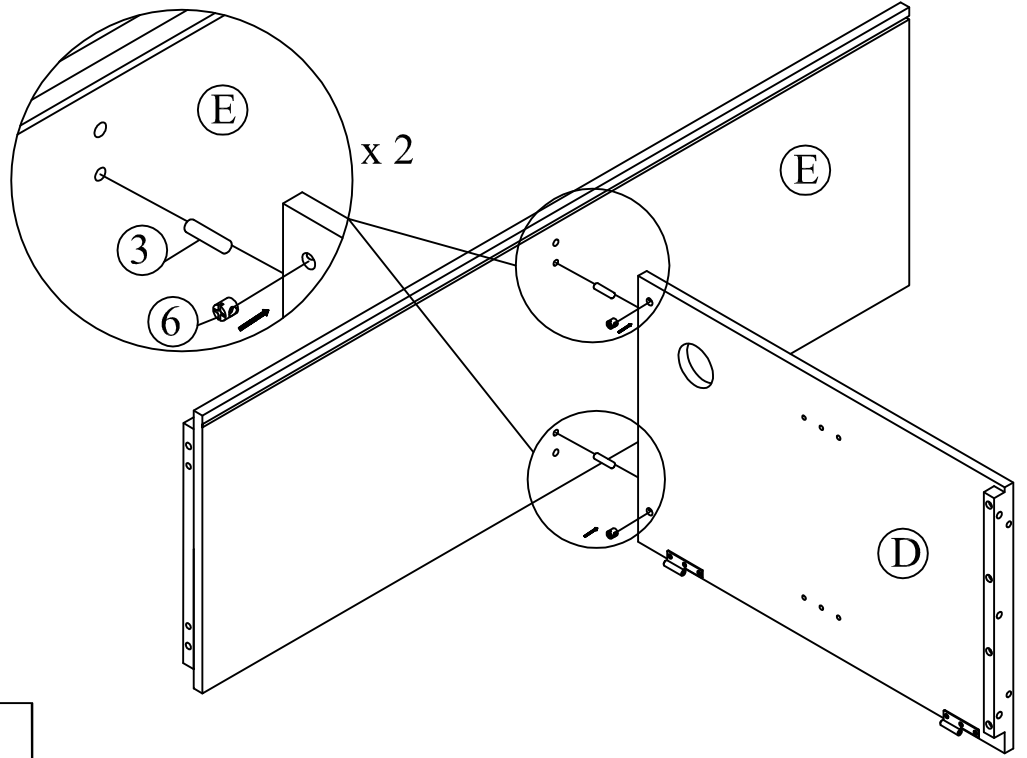
Overview





This Sideboard has multiple parts and may require up to some 35 minutes to assemble. To give you an overview of the Sideboard parts, the above picture is to help you put the various parts into perspective. Please read through the instructions below to familiarise yourself with the parts and steps before assembly.

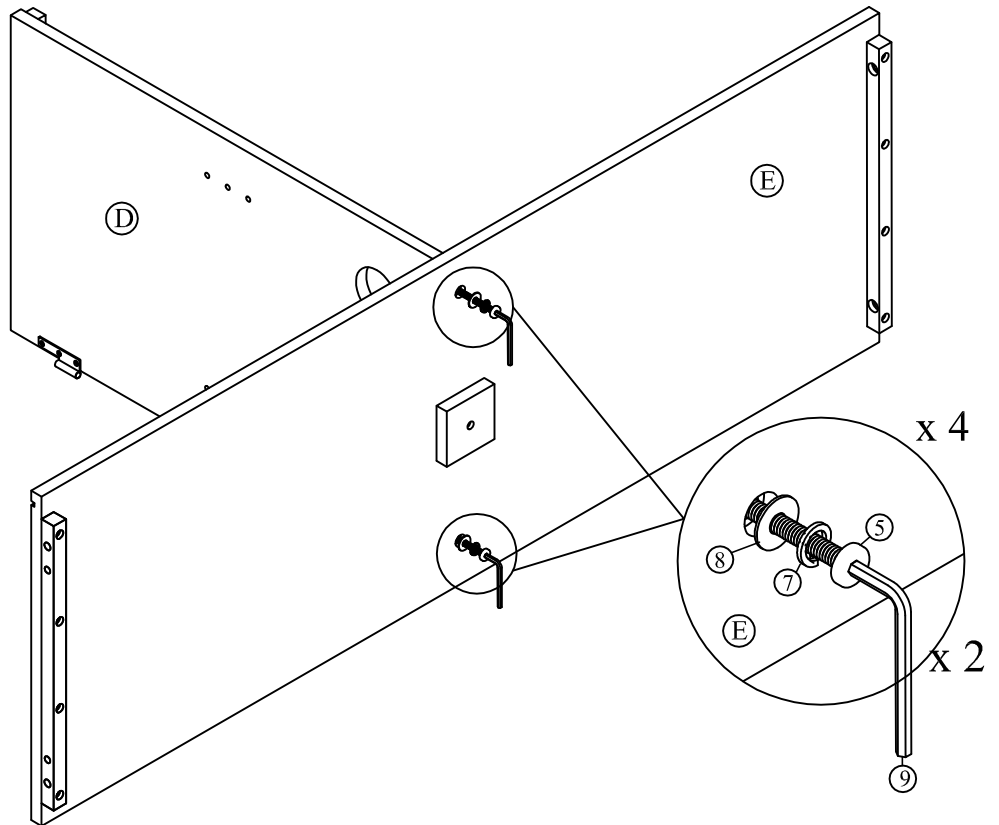
ASSEMBLY INSTRUCTION





Step 1:



Wooden Dowel \varnothing 8 x 30mm  (3) x 2	T Nut 10 x 12  (6) x 2
--	---

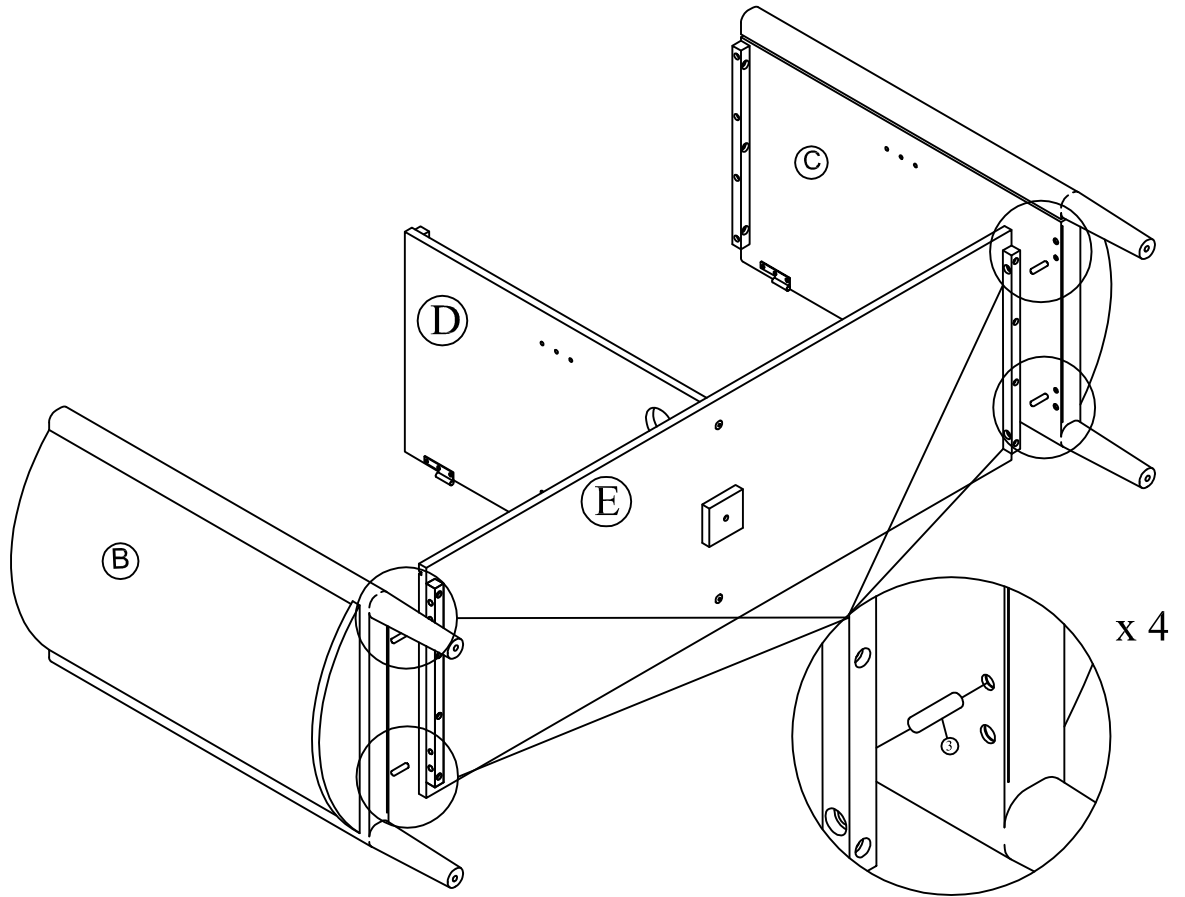
Step 2



Long Bolt 1/4" x 38  (5) x 2	Spring washer \varnothing 10 x \varnothing 6  (7) x 2	Flat Washer \varnothing 12 x \varnothing 6  (8) x 2	Allen Key K4 x 80  (9) x 1
---	---	---	--

ASSEMBLY INSTRUCTION

Step 3:

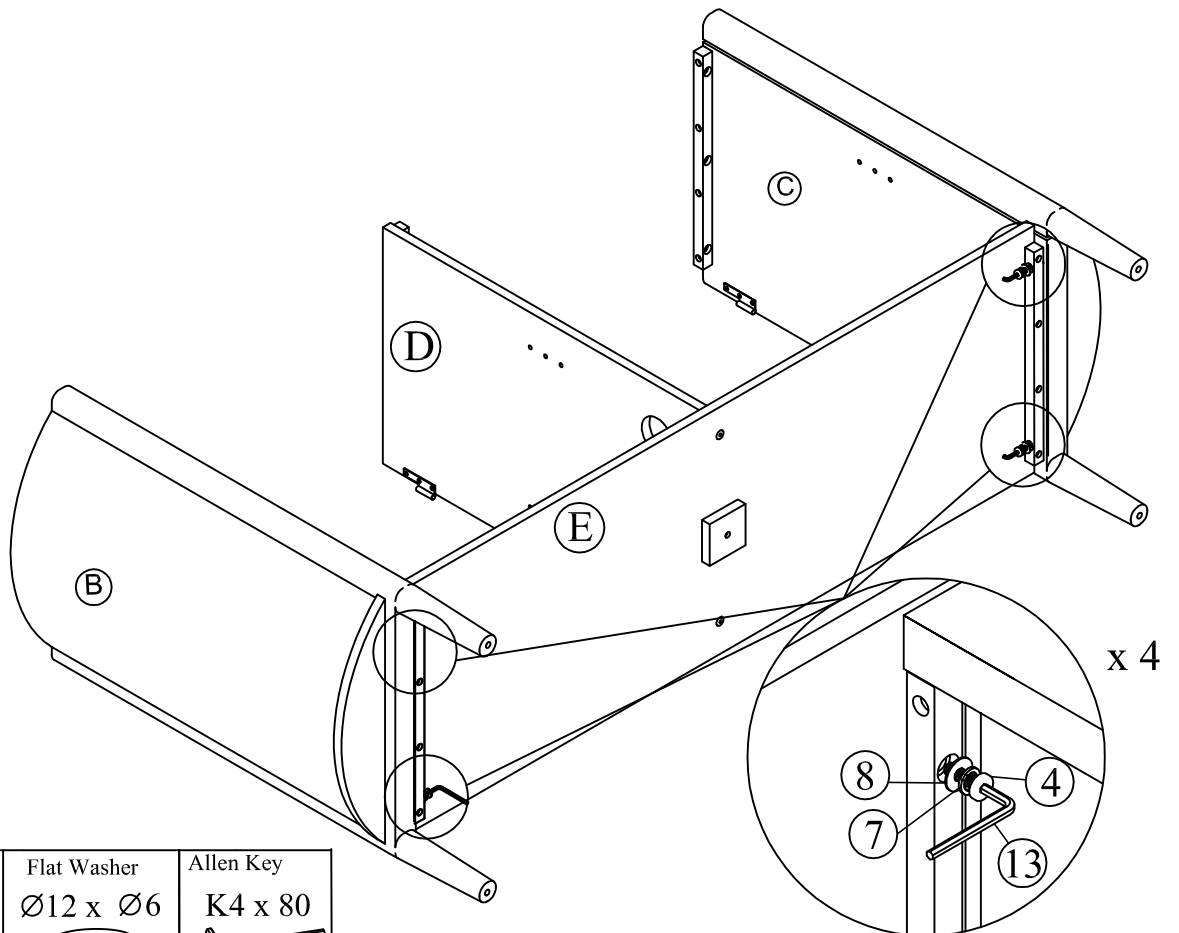


Wooden Dowel
 \varnothing 8 x 30mm



③ x 4

Step 4



Short Bolt
 1/4" x 25



④ x 4

Spring washer
 \varnothing 10 x \varnothing 6



⑦ x 4

Flat Washer
 \varnothing 12 x \varnothing 6



⑧ x 4

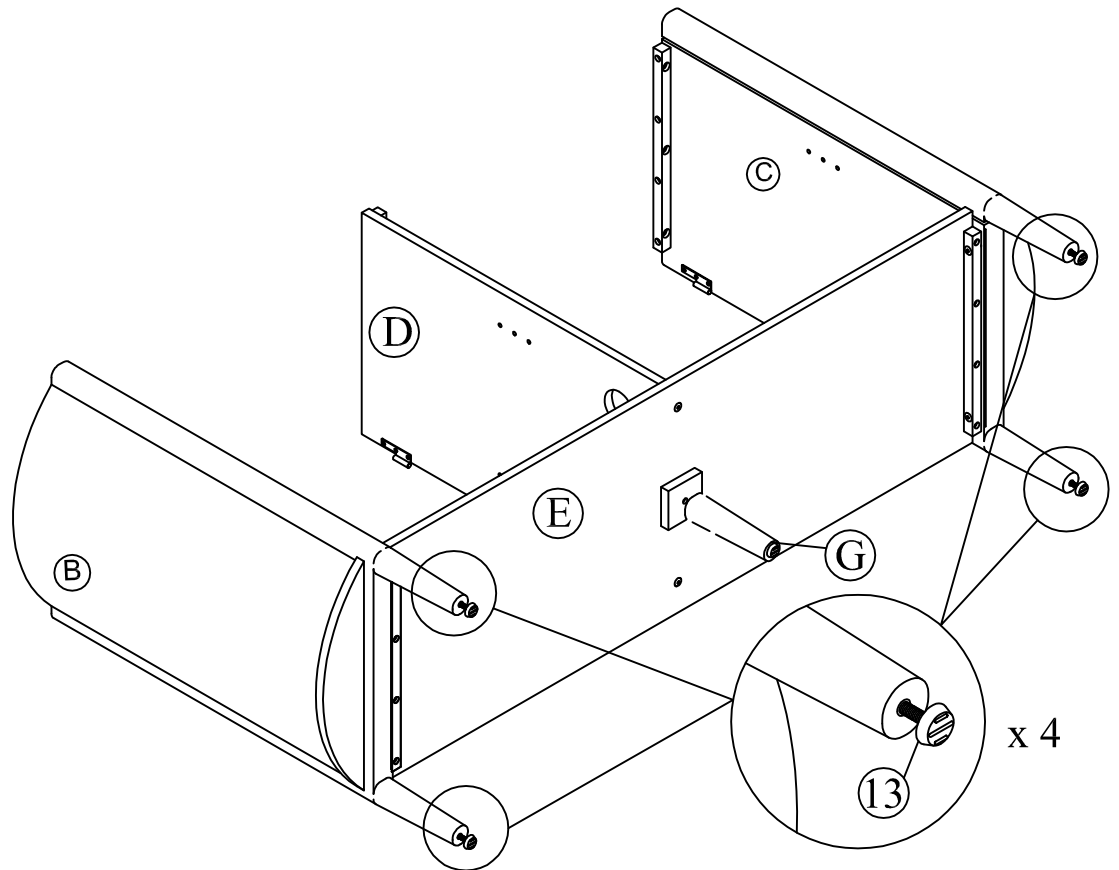
Allen Key
 K4 x 80



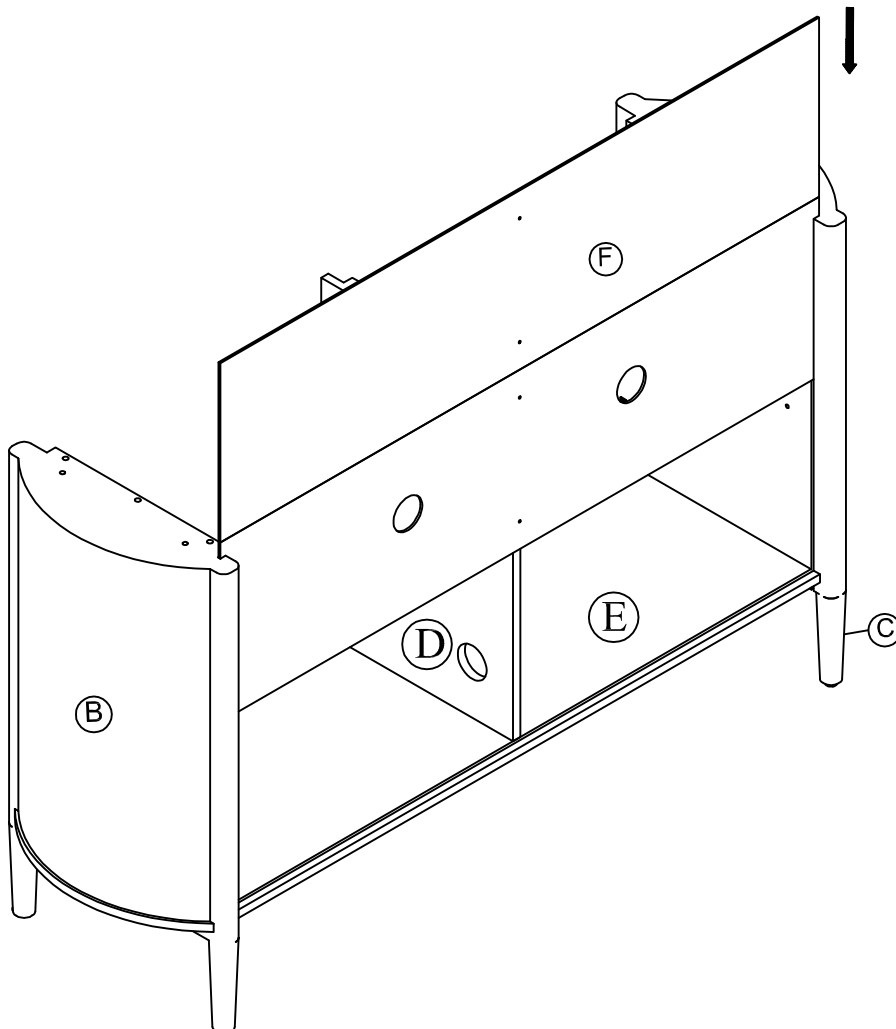
⑨ x 1

ASSEMBLY INSTRUCTION

Step 5:

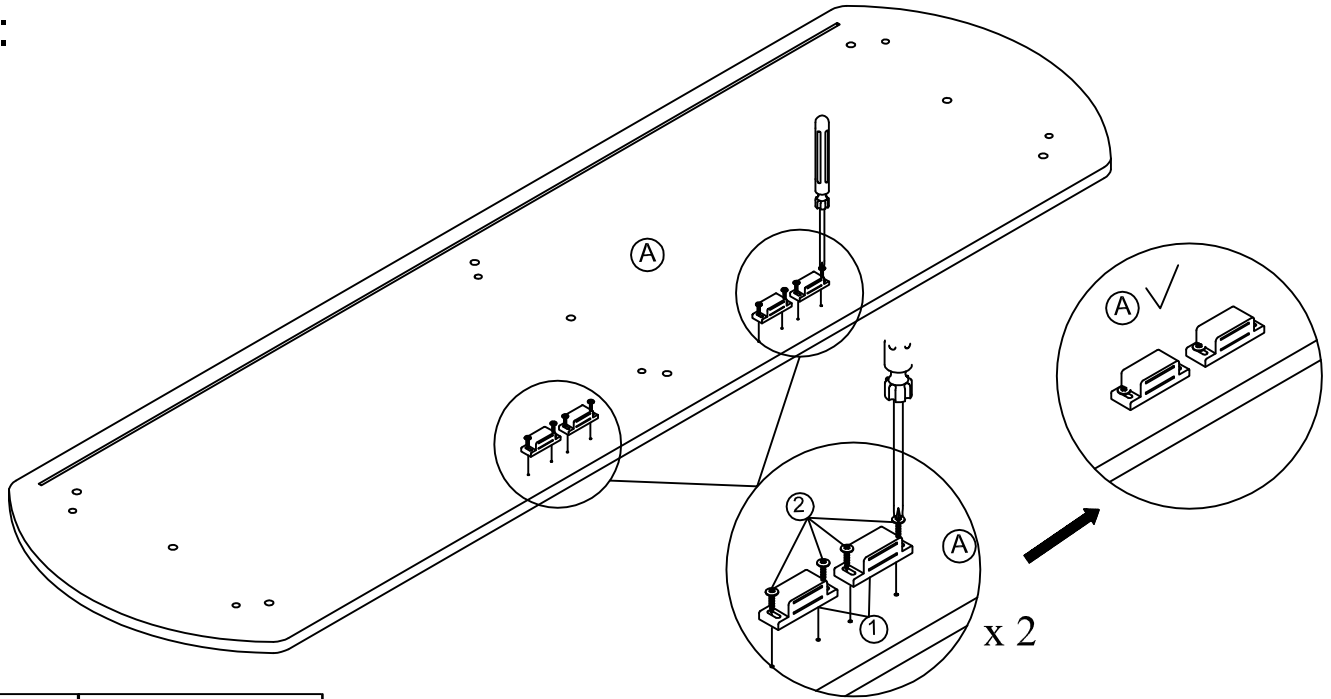


Step 6



ASSEMBLY INSTRUCTION

Step 7:



Magnetic Door Catch
16 x 14 x 44



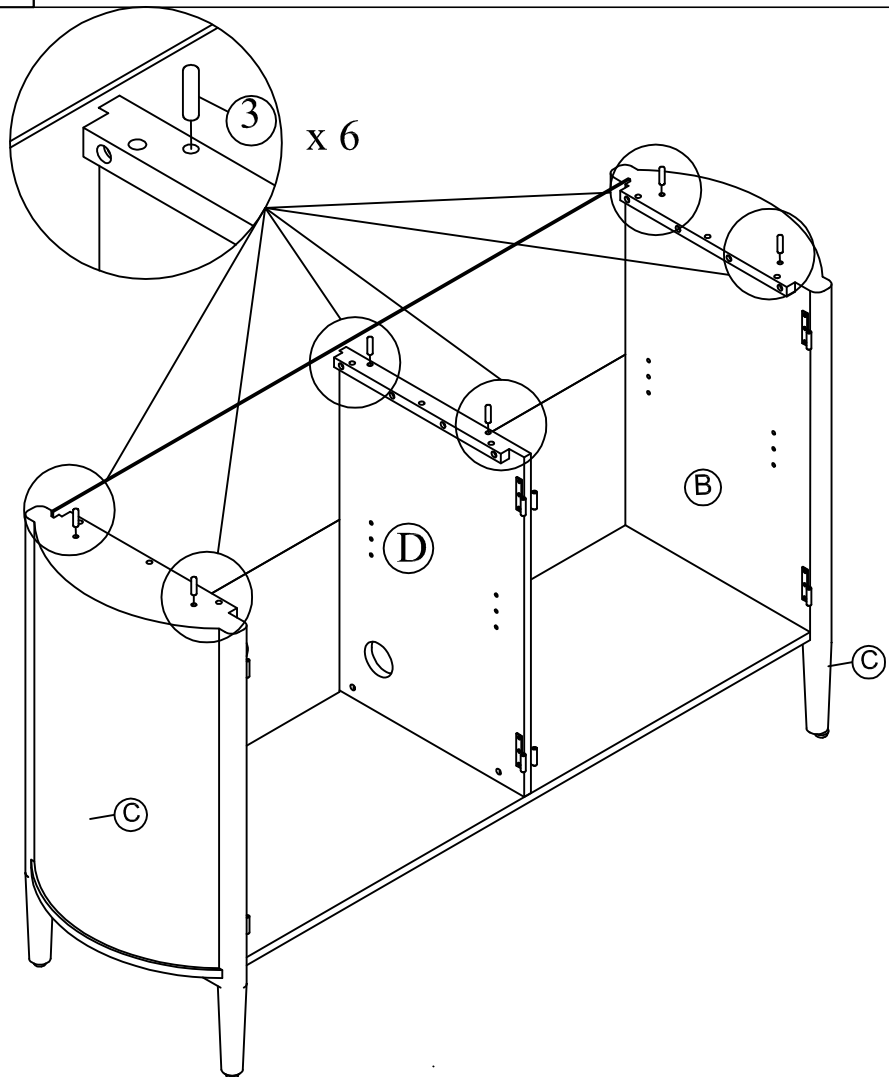
① x 4

Mushroom Screw
M3 x 15



② x 8

Step 8



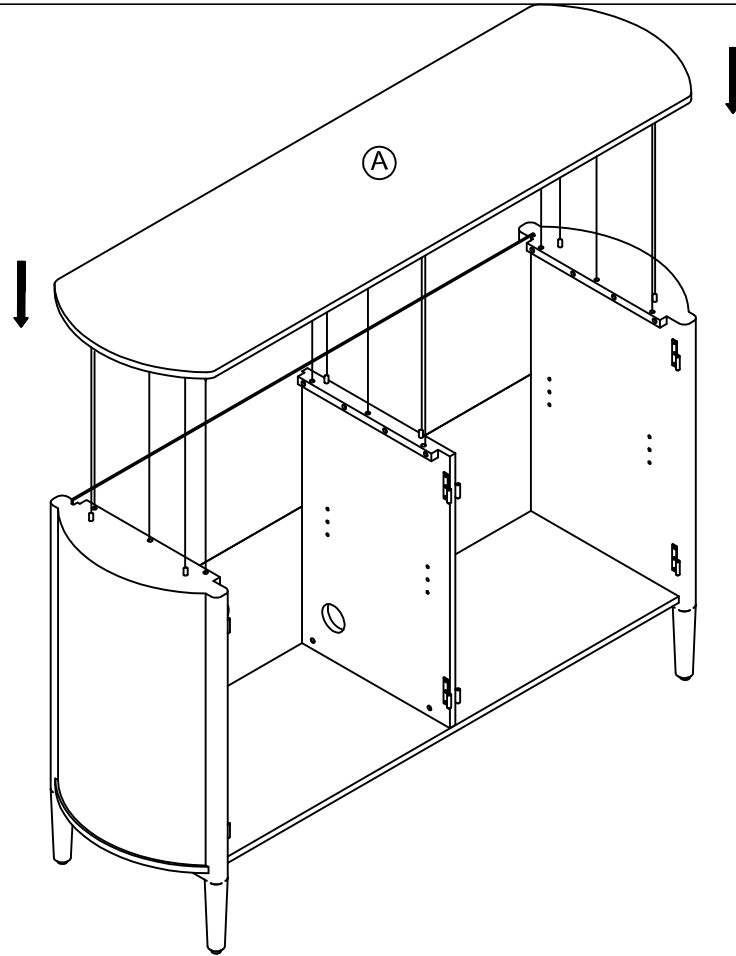
Wooden Dowel
∅ 8 x 30mm



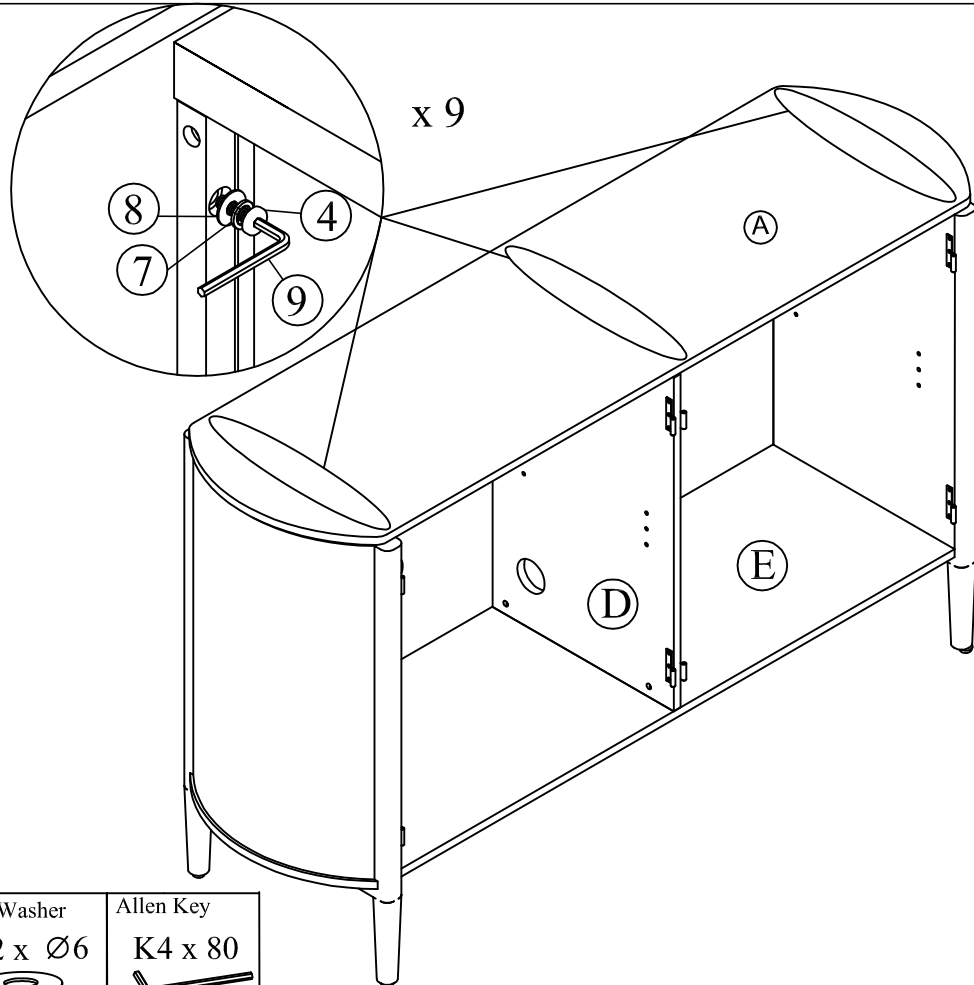
③ x 6

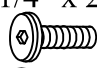
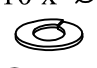


ASSEMBLY INSTRUCTION

Step 9:



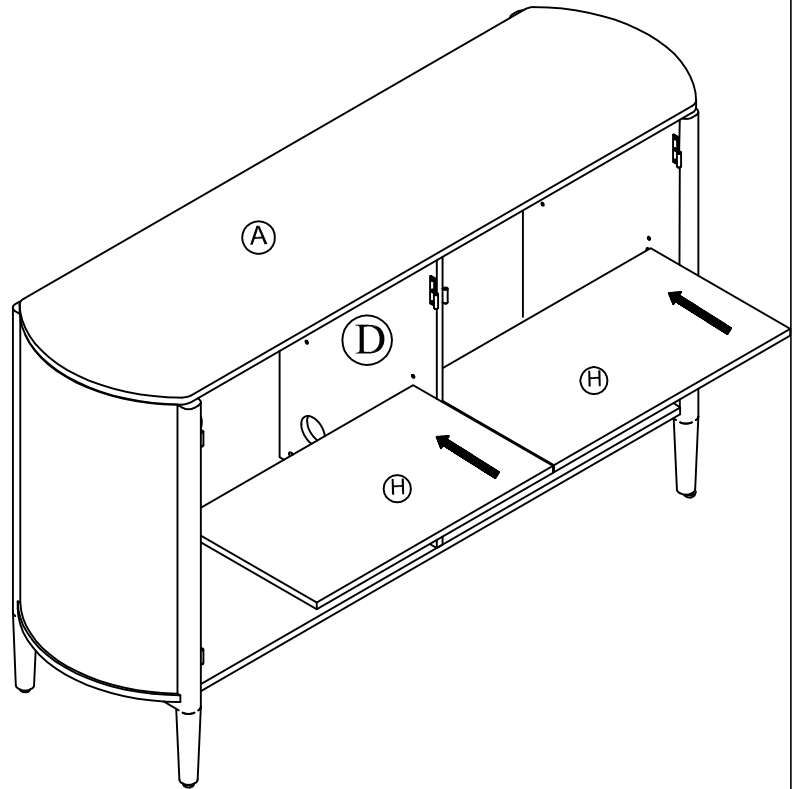
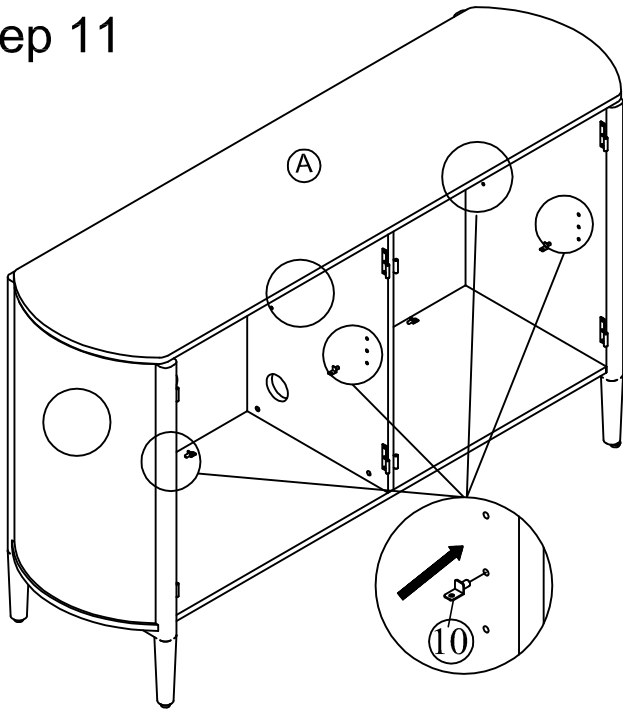
Step 10



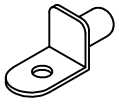
Short Bolt	Spring washer	Flat Washer	Allen Key
1/4" x 25	Ø10 x Ø6	Ø12 x Ø6	K4 x 80
			
④x 9	⑦x 9	⑧x 9	⑨x 1

ASSEMBLY INSTRUCTION

Step 11

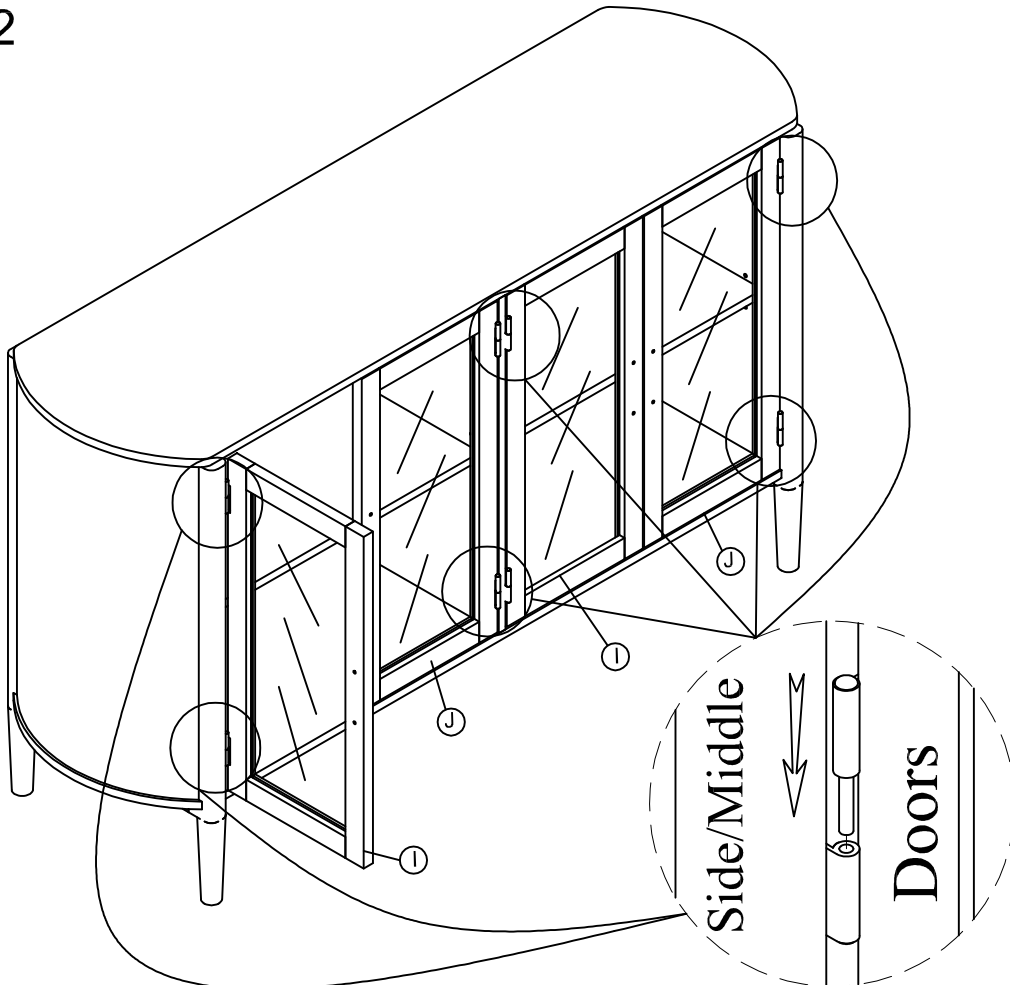


Support Shelf



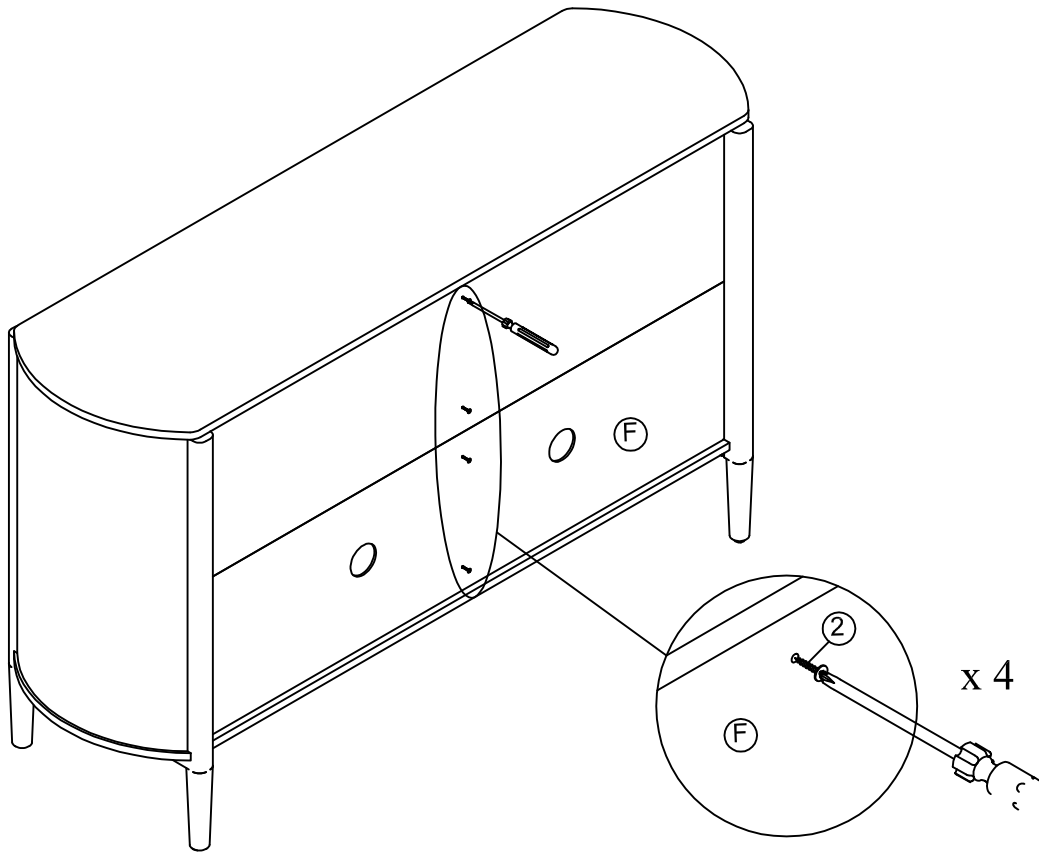
⑩x 8

Step 12



ASSEMBLY INSTRUCTION

Step 13

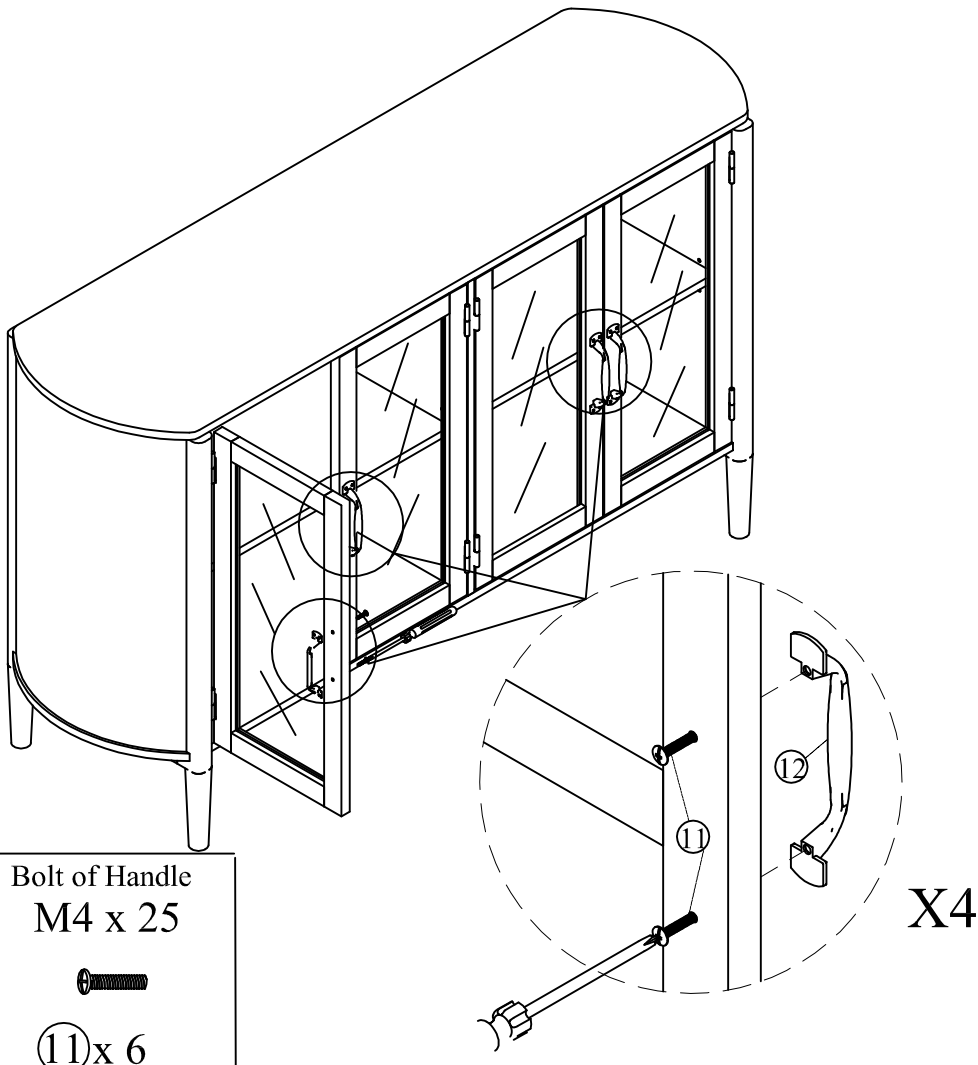


Mushroom Screw
M3 x 15



② x 4

Step 14



Handle



⑫ x 3

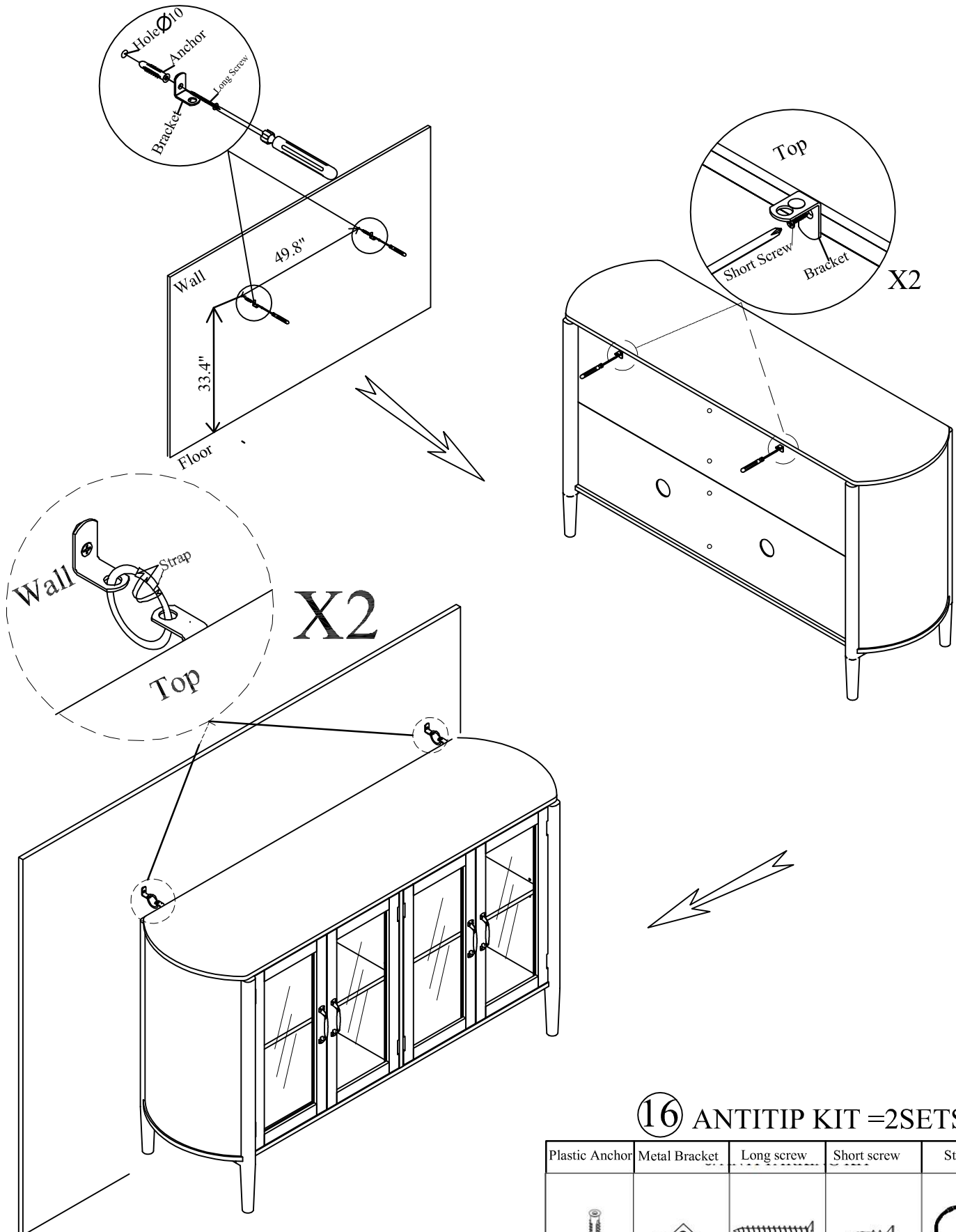
Bolt of Handle
M4 x 25





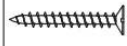

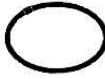
⑪ x 6

ASSEMBLY INSTRUCTION

Step 19



16 ANTITIP KIT = 2SETS

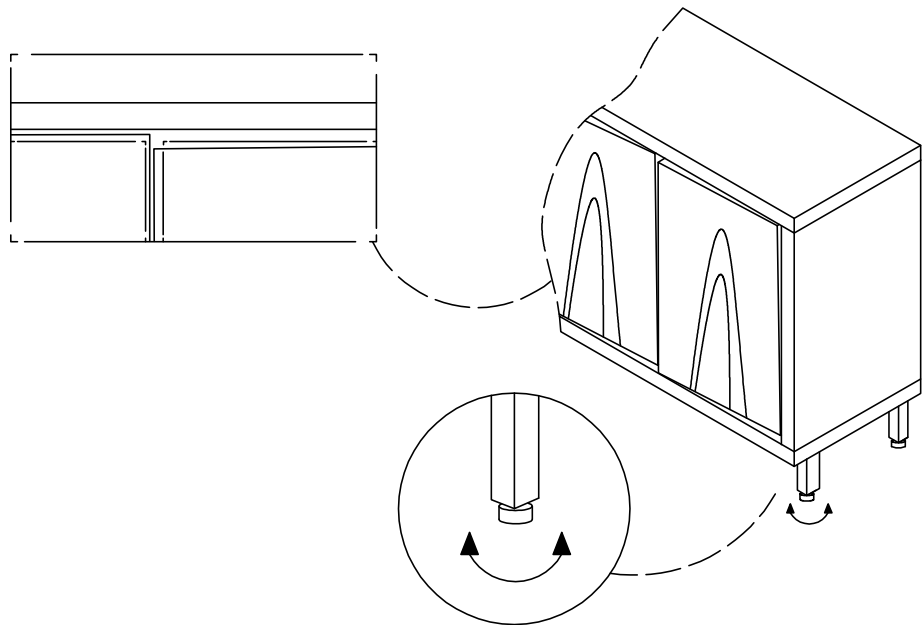
Plastic Anchor	Metal Bracket	Long screw	Short screw	Steel Wire
				
2 pcs	4 pcs	2 pcs	2 pcs	2 pcs

ASSEMBLY INSTRUCTION

Is your cabinet door looking crooked or unevenly spaced?

If you're still having trouble lining everything up, your next step should be to try to adjust the feet slightly to square up the cabinet and doors. Follow the instructions below:

If the right door appears to be hanging low, you can adjust the adjustable leveler on the front right until the door is better aligned.



If the left door appears to be hanging low, you can adjust the adjustable leveler on the front left until the door is better aligned.

