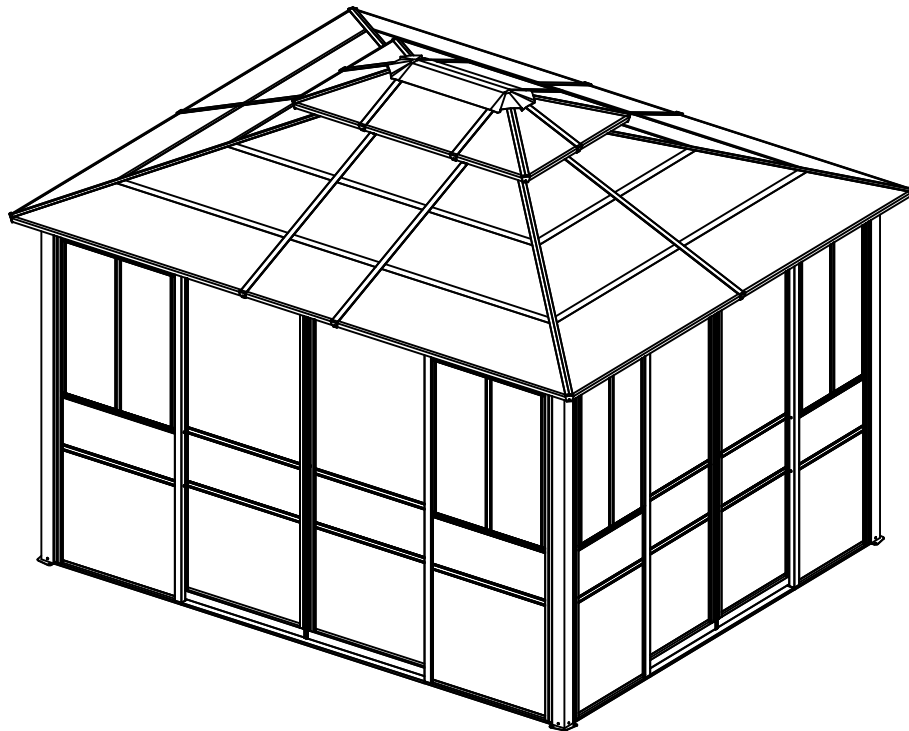


# 10 x 12 FT



WQOT291TN



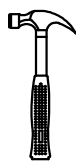
Note: The gazebo requires five people for assembly.  
The following tools are required for assembly but are not included.



Pistol Drill



Tape Measure



Hammer



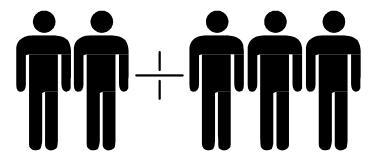
Screwdriver



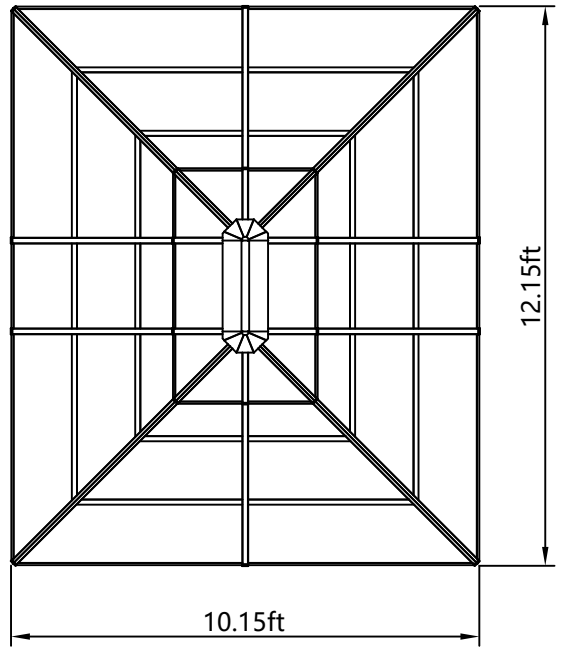
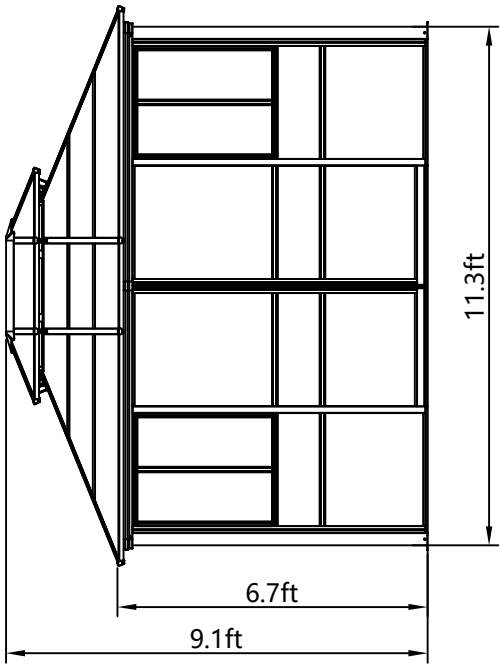
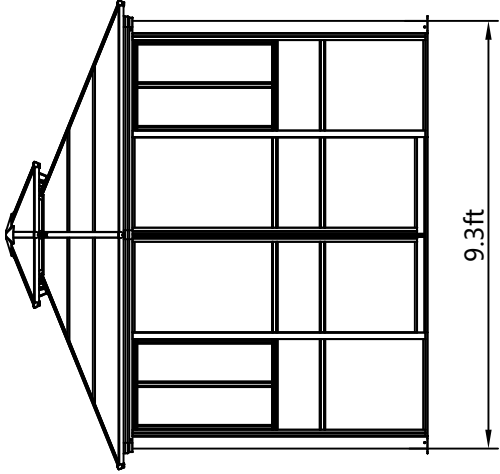
Ladder



Scissor



5 People



Box A	
Part #	Qty
(B)	4
(E)	4
(E1)	4
(G)	4
(G1)	4
(G2)	4
(G3)	4
(G4)	4
(H)	4
(H1)	4
(H2)	4
(H3)	4
(H4)	4
(I)	2
(I1)	2
(M1A)	4
(M2A)	4
(M1F)	4

Box B																																	
Part #	Qty																																
(C)	2																																
(C1)	2																																
(D)	2																																
(D1)	2																																
(F)	6																																
(F1)	6																																
(M5G)	16																																
(M6G)	16																																
(L3)	1																																
(M3)	1																																
(J1)	4																																
(Q)	4																																
(T)	4																																
(X)	6																																
(N)	12																																
(N1)	12																																
(U1)	4																																
(U2)	4																																
(U3)	4																																
(U4)	4																																
(4-1)	16																																
Bags for screws: 1-26	1																																
Instructions	1																																
<table border="1"> <tr><td colspan="8">10x12</td></tr> <tr><td>AB</td><td>AB</td><td>AC</td><td>AC</td><td>BA</td><td>BA</td><td>CA</td><td>CA</td></tr> <tr><td>AD</td><td>AD</td><td>AE</td><td>AE</td><td>DA</td><td>DA</td><td>EA</td><td>EA</td></tr> <tr><td>AF</td><td>AF</td><td>AF</td><td>AF</td><td>AG</td><td>AG</td><td>AG</td><td>AG</td></tr> </table>	10x12								AB	AB	AC	AC	BA	BA	CA	CA	AD	AD	AE	AE	DA	DA	EA	EA	AF	AF	AF	AF	AG	AG	AG	AG	1
10x12																																	
AB	AB	AC	AC	BA	BA	CA	CA																										
AD	AD	AE	AE	DA	DA	EA	EA																										
AF	AF	AF	AF	AG	AG	AG	AG																										

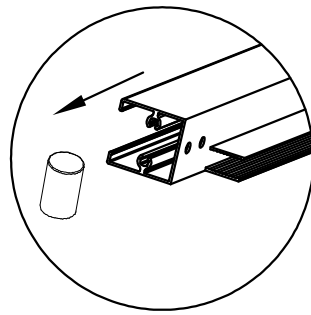
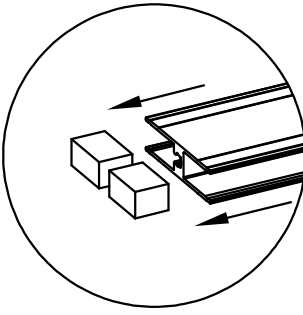
Box C	
Part #	Qty
(M1B)	4
(M2B)	4
(M1C)	4
(M2C)	4
(M4V)	2
(M5V)	2
(M5L)	8
(M4N)	2
(M5N)	2
(K)	4

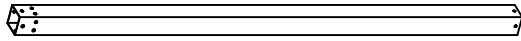
Box D	
Part #	Qty
(Z)	2
(Z1)	2
(M5B)	4
(M6B)	4
(M1D)	4
(M2D)	4
(M4H)	4
(M5H)	4
(M4K)	4
(M5K)	4
(M4M)	4
(M5M)	4
(M4P)	4
(M5P)	4
(R)	10
(P)	4
(MQ2)	24
(MD1)	32
(MD2)	64
(MD3)	16
(MD4)	16
(MD5)	16
(3-1)	16
(23)	1

Box E	
Part #	Qty
(1R-1)	16
(1R-2)	8
(1R-3)	8
(5-1)	2
(MS2)	4
(MS6)	4
(W)	8
(W1)	4
(W2)	4
(V)	4
(V1)	4
(V2)	4
(V3)	4
(V4)	4
(V5)	4

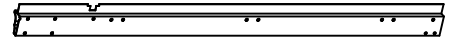
Box F	
Part #	Qty
(MS1)	8
(MS2)	4
(MS3)	4
(MS4)	4
(MS20)	4
(MS5)	8
(MS6)	4
(MS7)	4
(MS8)	4
(MS21)	4
(M1S)	4
(M2S)	4
(M1E)	16
(M1G)	8
(M4L)	8

Remove the plastic packing blocks from both ends of profiles M1E, M1G, M5G, M7G, M4L, M6L, M4H, and M6H.

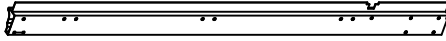




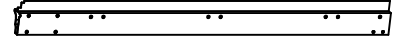
(B) 4x



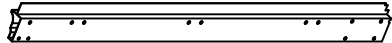
(C) 2x



(C1) 2x



(D) 2x



(D1) 2x



(E) 4x



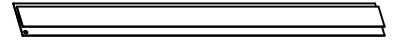
(E1) 4x



(F) 6x



(F1) 6x



(G) 4x



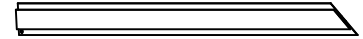
(G1) 4x



(G2) 4x



(G3) 4x



(G4) 4x



(H) 4x



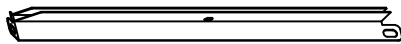
(H1) 4x



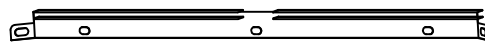
(H2) 4x



(H3) 4x



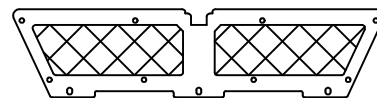
(H4) 4x



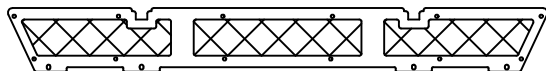
(I) 2x



(I1) 2x



(Z) 2x



(Z1) 2x



(M1A) 4x



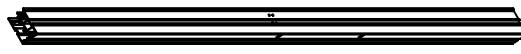
(M2A) 4x



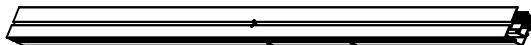
(M1B) 4x



(M2B) 4x



(M5B) 4x



(M6B) 4x



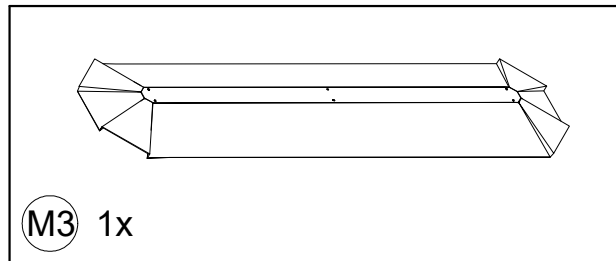
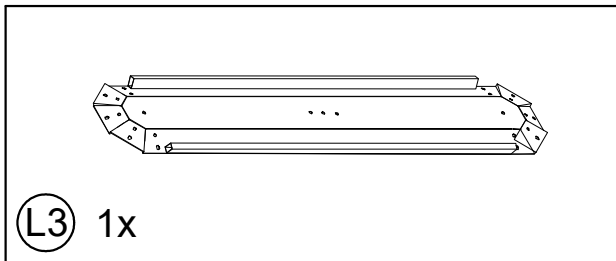
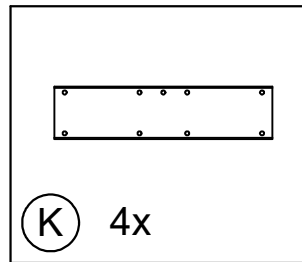
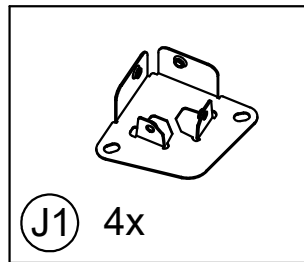
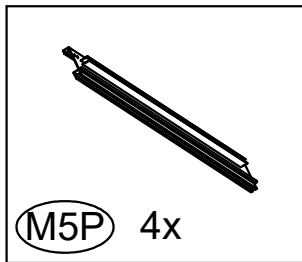
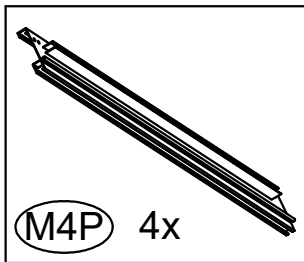
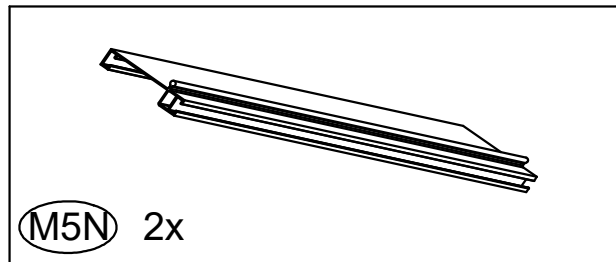
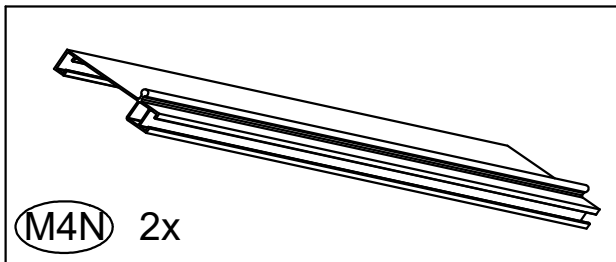
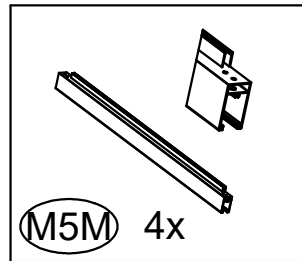
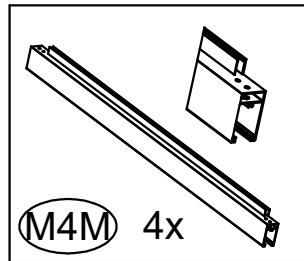
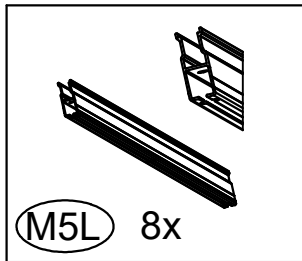
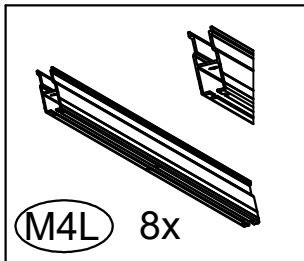
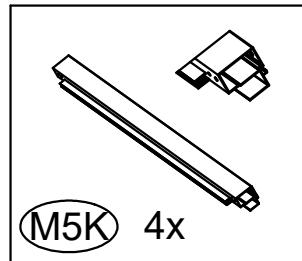
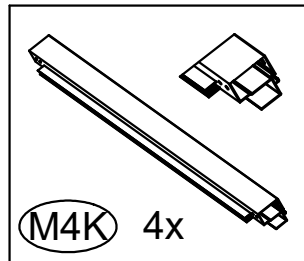
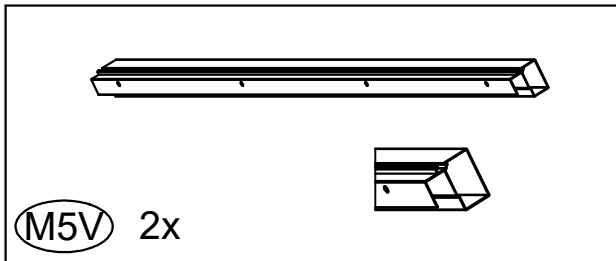
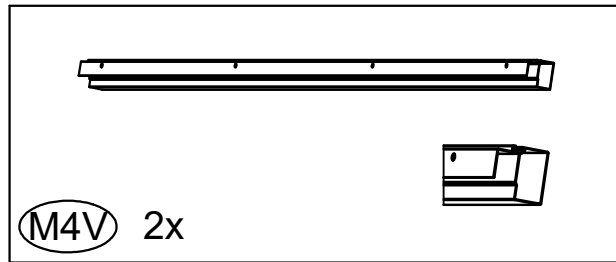
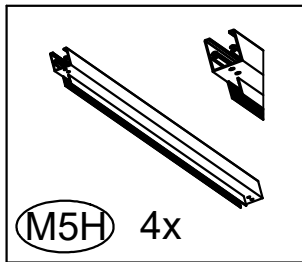
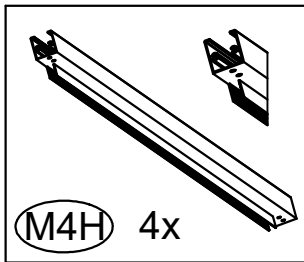
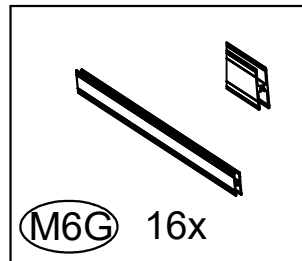
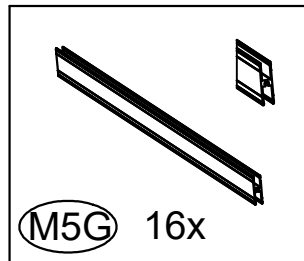
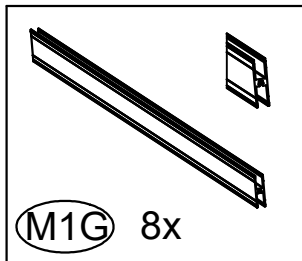
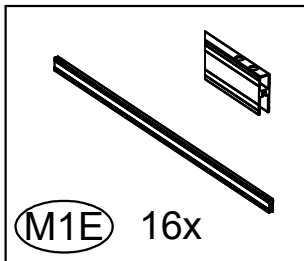
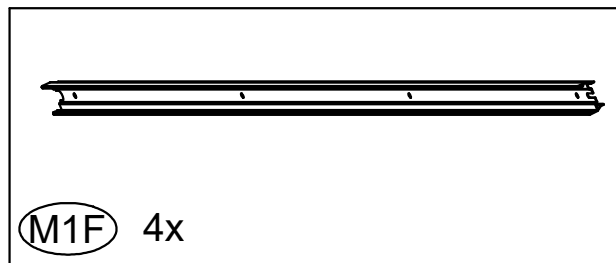
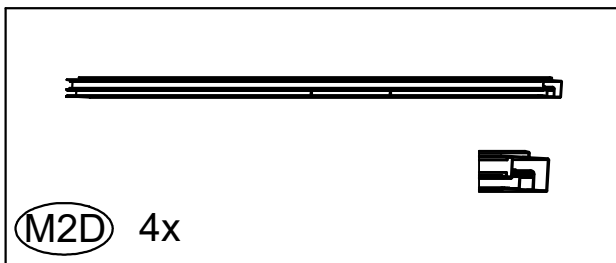
(M1C) 4x


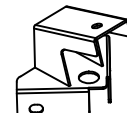
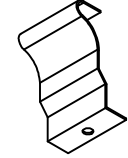

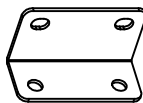
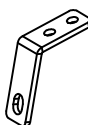
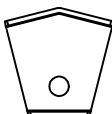
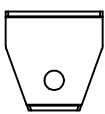
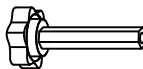

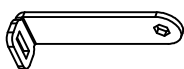
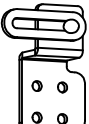


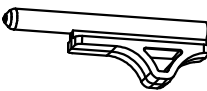
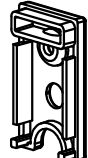
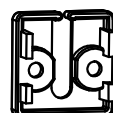

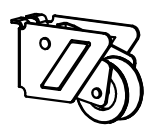

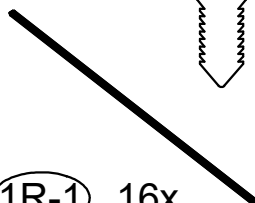

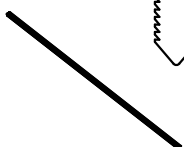
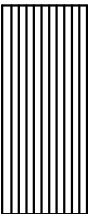
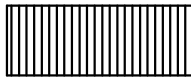
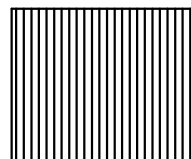
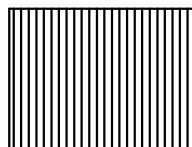
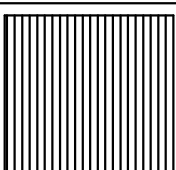
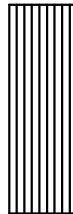
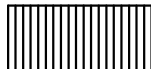
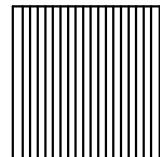
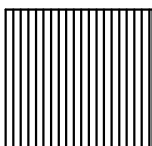


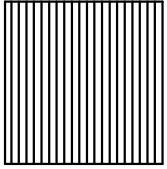
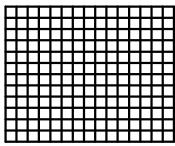
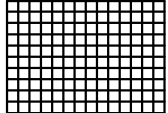
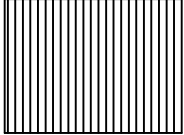
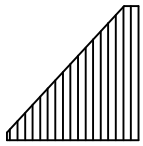
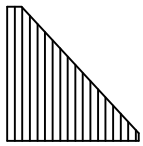
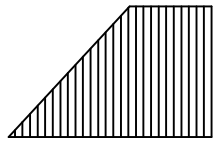
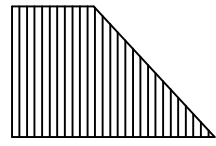
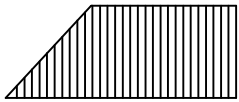
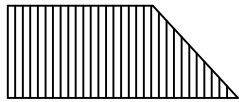
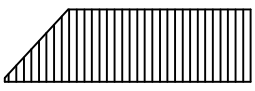
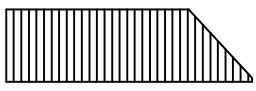
(M2C) 4x







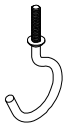
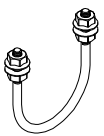

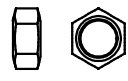
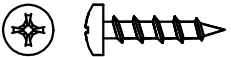
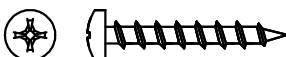
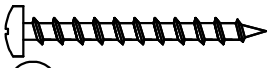
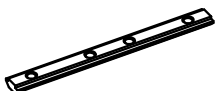




(M1D) 4x



 <b>(R)</b> 10x	 <b>(P)</b> 4x	 <b>(Q)</b> 4x	 <b>(T)</b> 4x
 <b>(MQ2)</b> 24x	 <b>(X)</b> 6x	 <b>(N)</b> 12x	 <b>(N1)</b> 12x
 <b>(U1)</b> 4x	 <b>(U2)</b> 4x	 <b>(U3)</b> 4x	 <b>(U4)</b> 4x
 <b>(MD1)</b> 32x	 <b>(MD2)</b> 64x	 <b>(MD3)</b> 16x	 <b>(MD4)</b> 16x
 <b>(MD5)</b> 16x	 6.2*11*15 <b>(3-1)</b> 16x	 <b>(4-1)</b> 16x	 <b>(5-1)</b> 2x
 <b>(1R-1)</b> 16x	 <b>(1R-2)</b> 8x	 <b>(1R-3)</b> 8x	 <b>(MS1)</b> 8x
 <b>(MS2)</b> 8x	 <b>(MS3)</b> 4x	 <b>(MS4)</b> 4x	 <b>(MS20)</b> 4x
 <b>(MS5)</b> 8x	 <b>(MS6)</b> 8x	 <b>(MS7)</b> 4x	 <b>(MS8)</b> 4x

 <b>(MS21)</b> 4x	 <b>(M1S)</b> 4x	 <b>(M2S)</b> 4x	 <b>(W)</b> 8x
 <b>(W1)</b> 4x	 <b>(W2)</b> 4x	 <b>(V)</b> 4x	 <b>(V1)</b> 4x
 <b>(V2)</b> 4x	 <b>(V3)</b> 4x	 <b>(V4)</b> 4x	 <b>(V5)</b> 4x

Bags of Screws

 M6x15 <b>(1)</b> 218x	 <b>(2)</b> 16x	 ST4.8x12 <b>(3)</b> 40x	 M5x12 <b>(4)</b> 52x
 <b>(5)</b> 2x	 <b>(6)</b> 1x	 M6x10 <b>(7)</b> 8x	 M6 <b>(8)</b> 24x
 M4x20 <b>(9)</b> 160x	 M4x35 <b>(10)</b> 64x	 M4x50 <b>(11)</b> 64x	 <b>(12)</b> 24x
 M5x6 <b>(13)</b> 96x	 M5 <b>(14)</b> 48x	 M5x12 <b>(15)</b> 48x	 <b>(20)</b> 8x



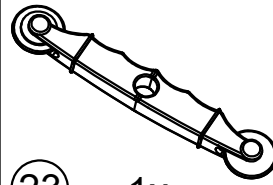
M5x15

21 16x

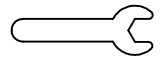
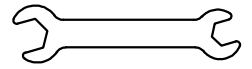


M4x12

22 4x



23 1x



24 1x



4mm

25 2x



2.5mm

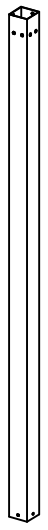
26 2x

10x12							
AB	AB	AC	AC	BA	BA	CA	CA
AD	AD	AE	AE	DA	DA	EA	EA
AF	AF	AF	AF	AG	AG	AG	AG
letter sticker 1x							

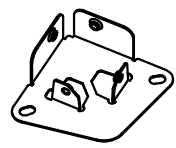
<1>

x4

(B) 4x

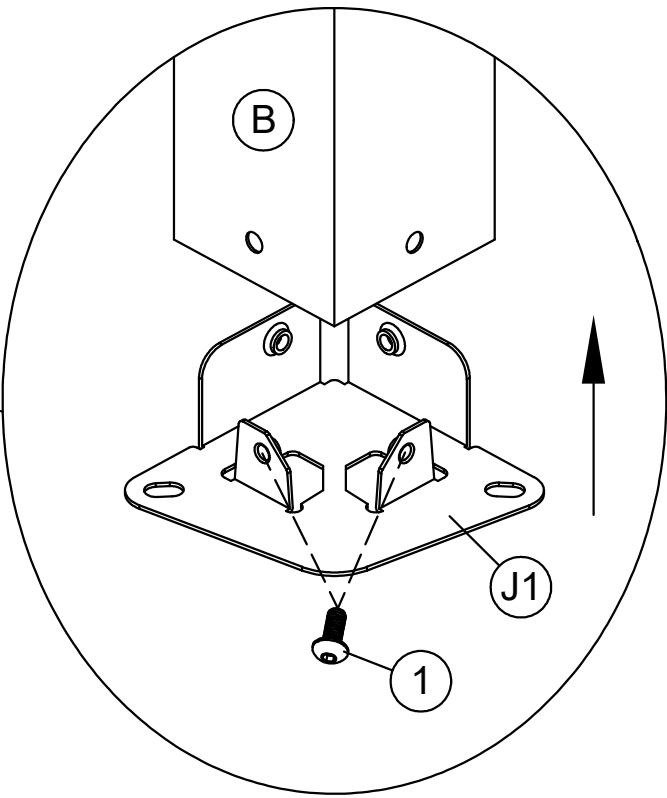
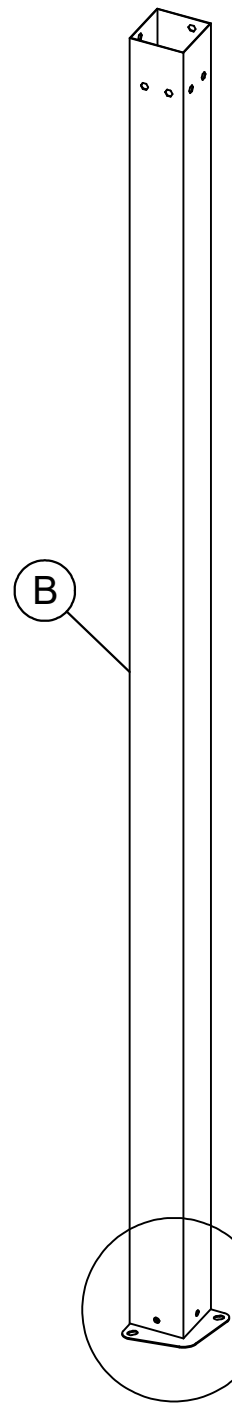


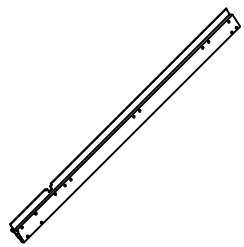
(J1) 4x



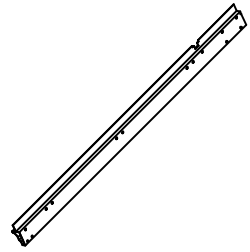
M6x15

(1) 8x

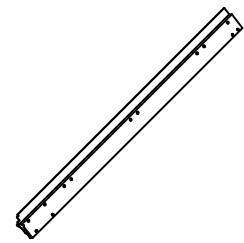




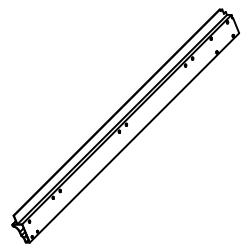
(C) 2x



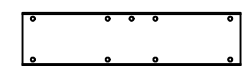
(C1) 2x



(D) 2x



(D1) 2x



(K) 4x



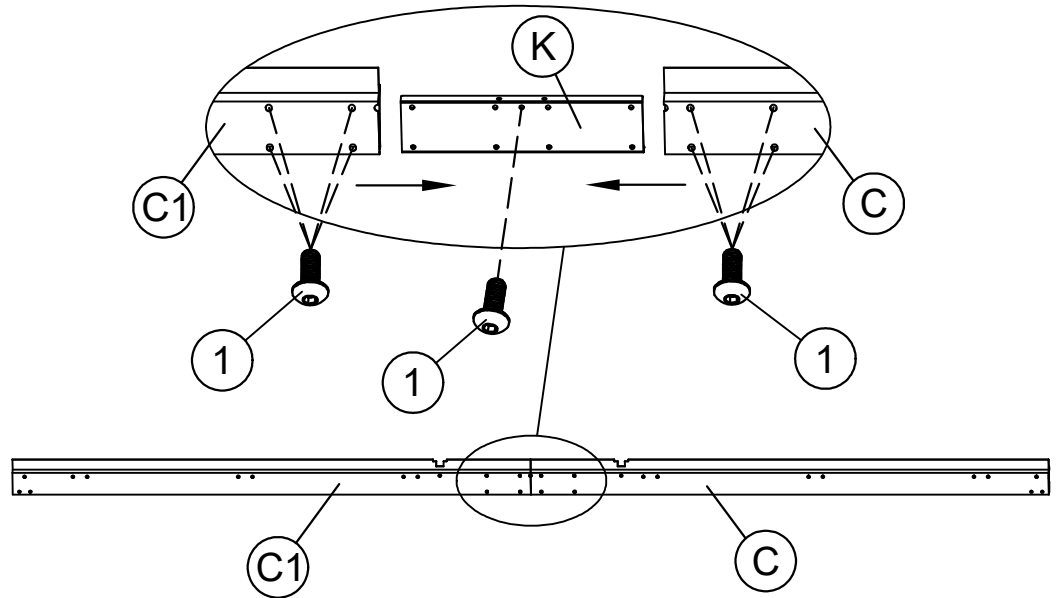
M6x15

(1) 34x

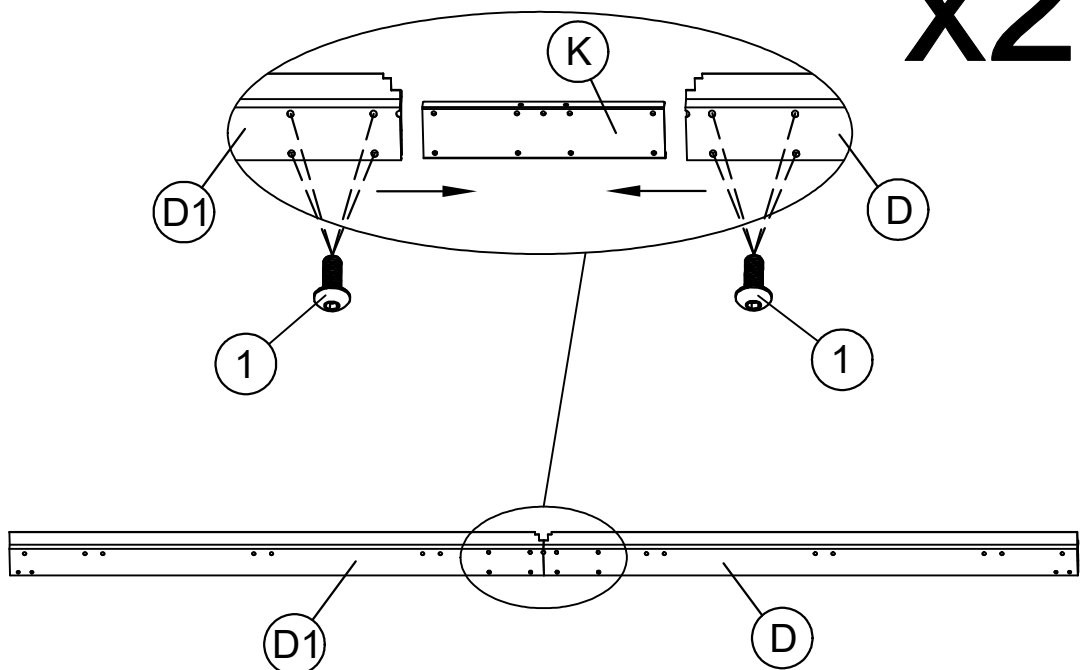
12

<2>

x2



x2



<3>

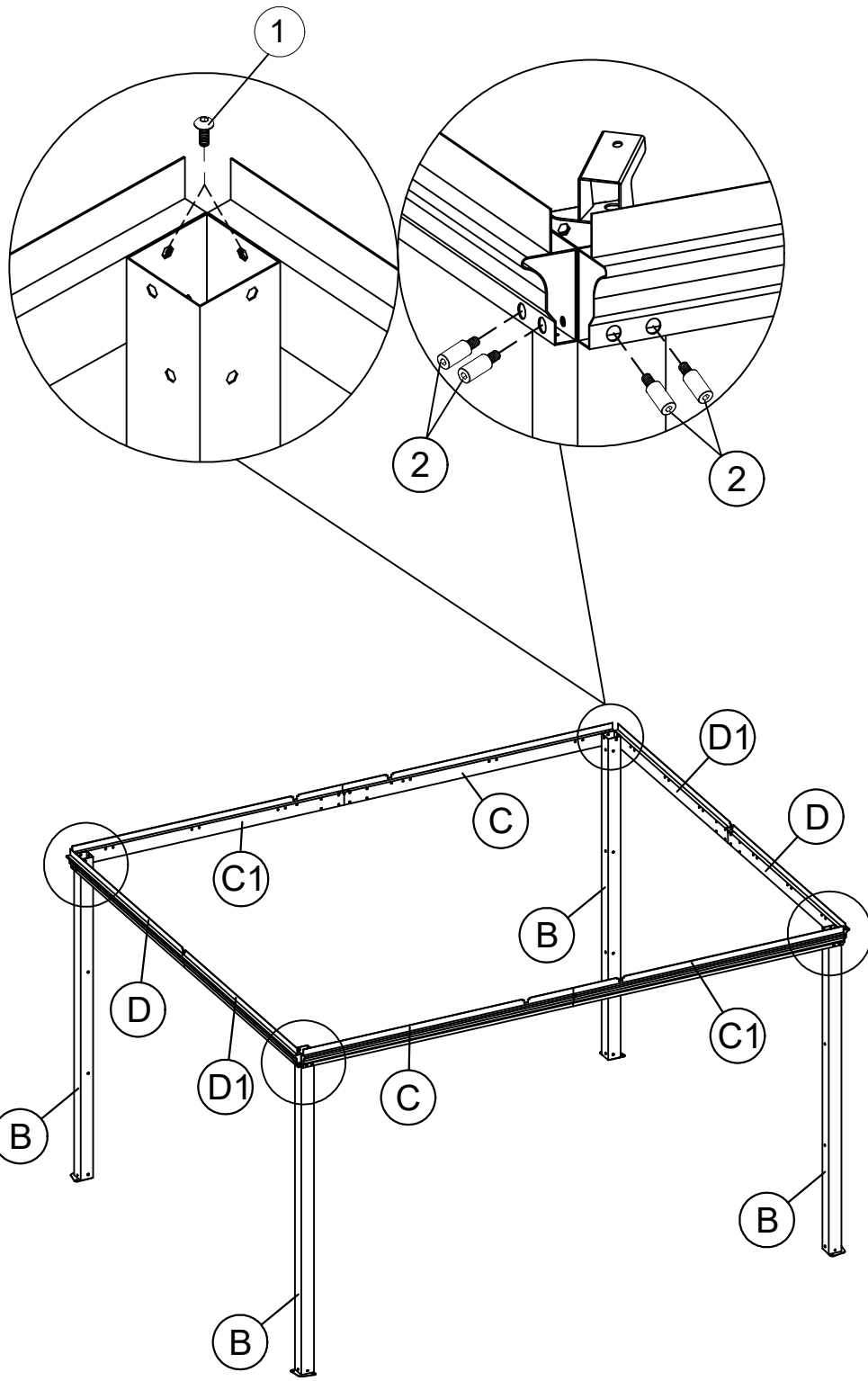


② 16x

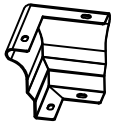


M6x15

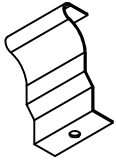
① 8x



<4>



T 4x



Q 4x



P 4x



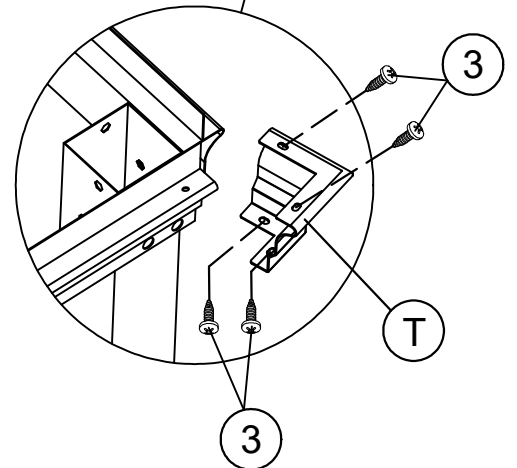
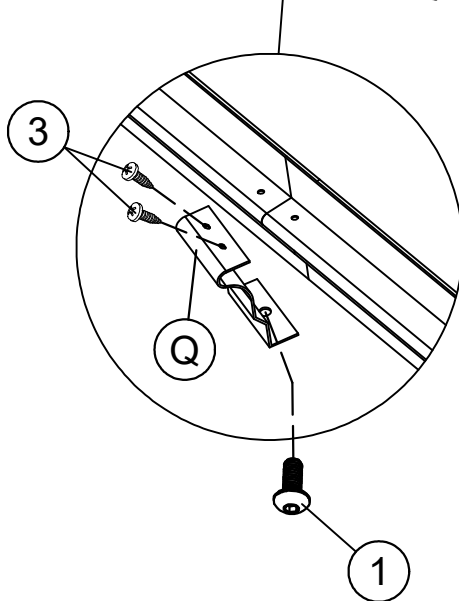
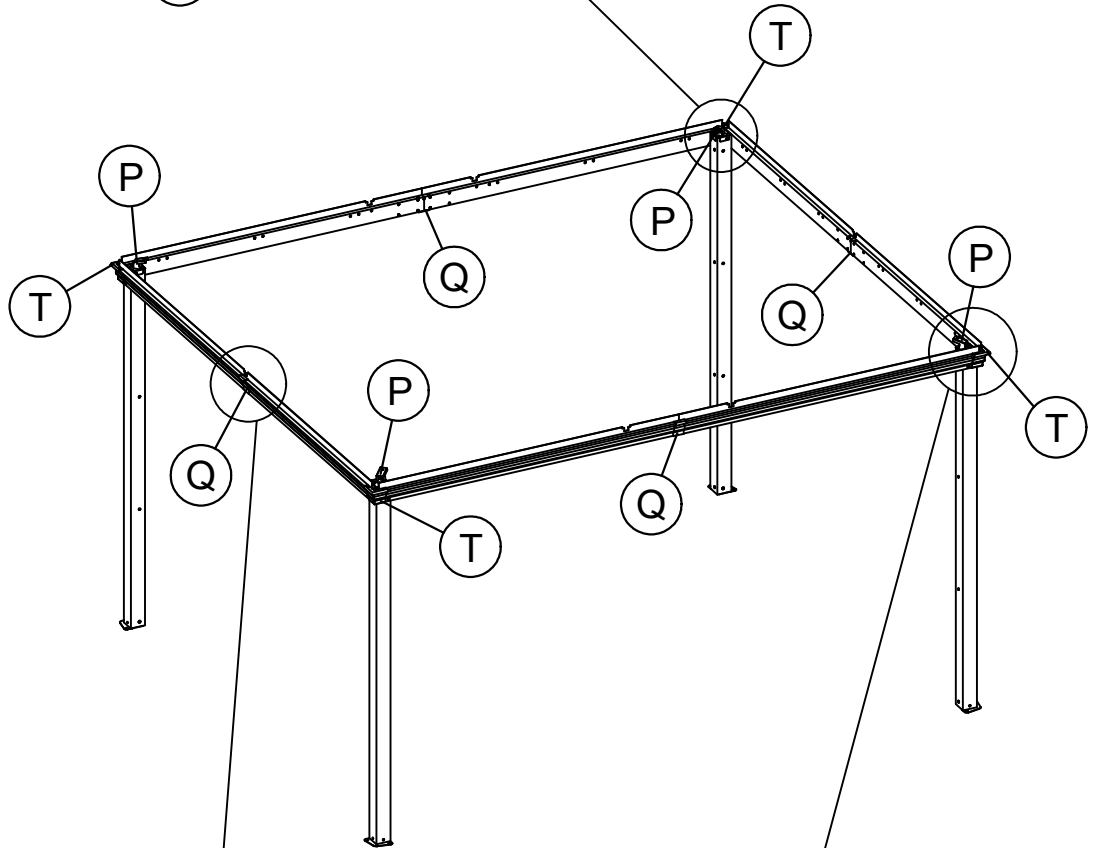
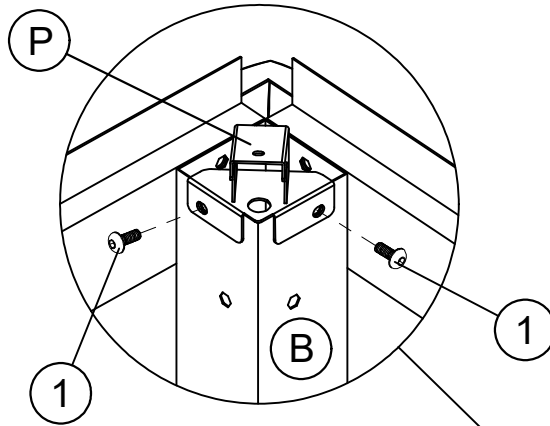
M6x15

1 12x

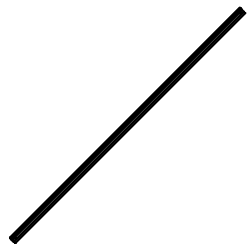


ST4.8x12

3 24x



<5>



(E) 4x



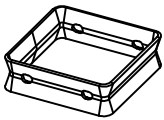
(E1) 4x



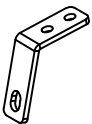
(F) 6x



(F1) 6x



(L) 10x



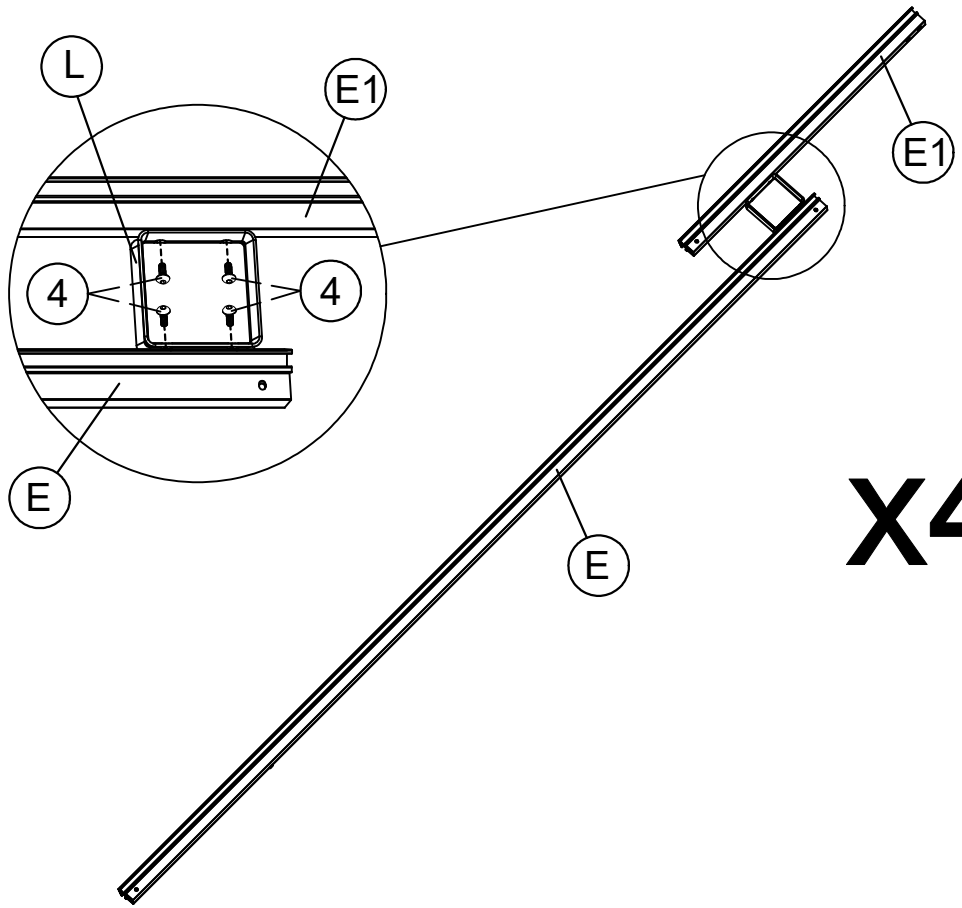
(X) 6x



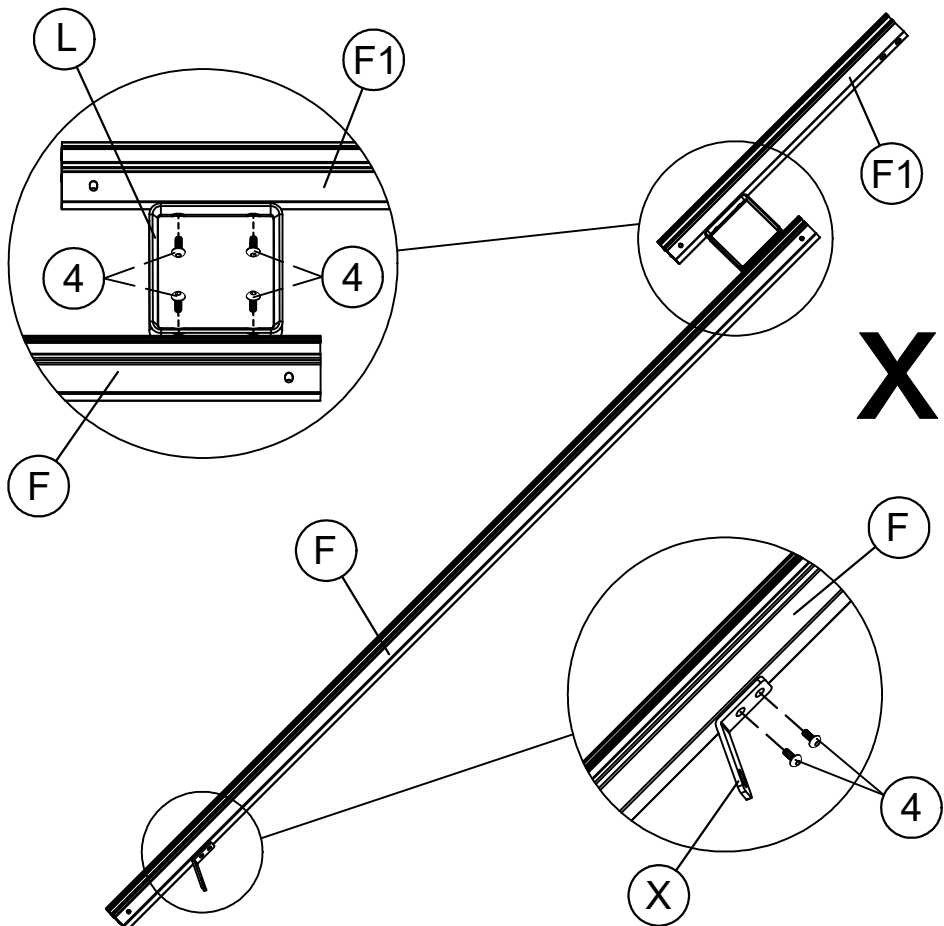
M5x12

(4) 52x

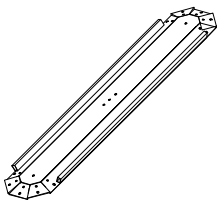
15



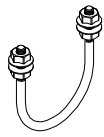
x4



x6



L3 1x



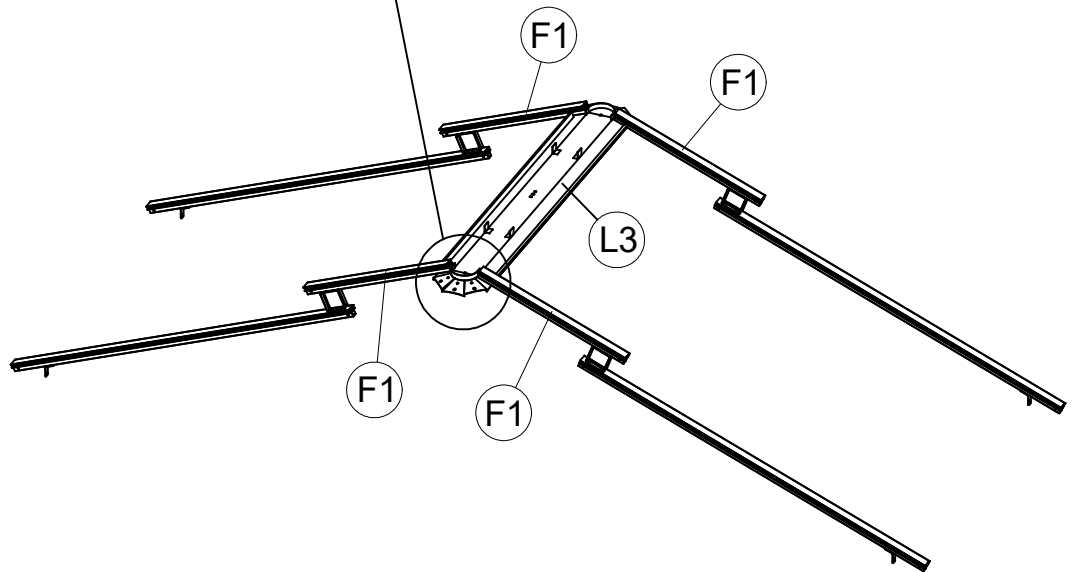
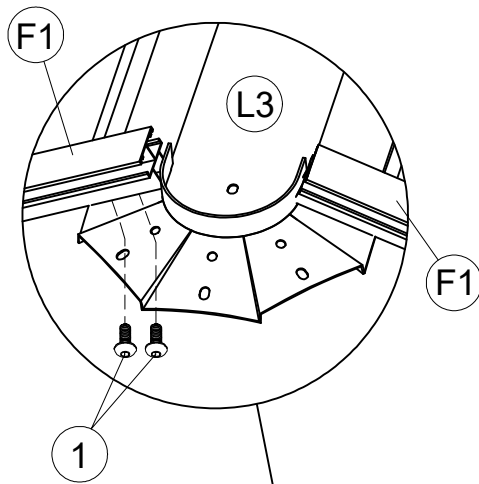
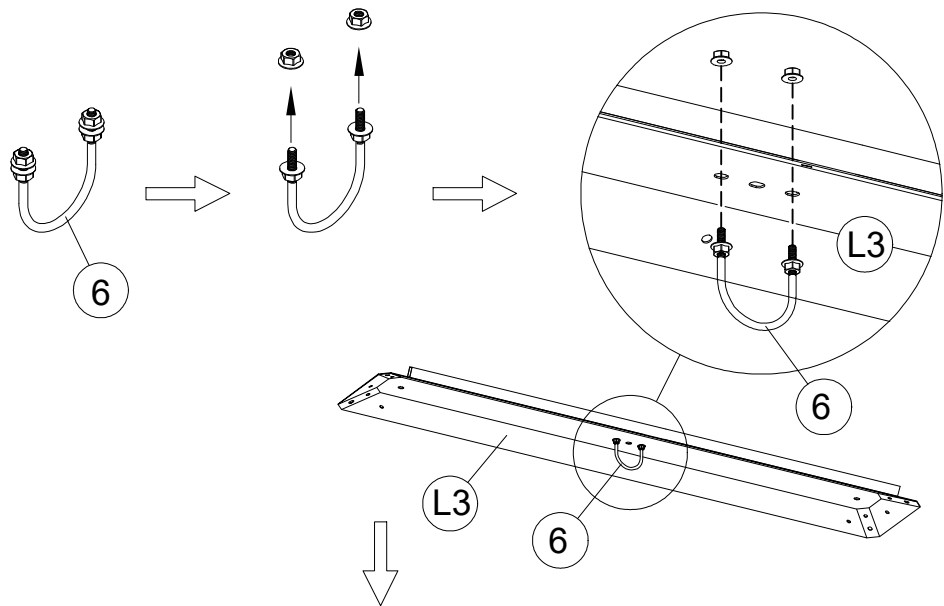
6 1x



M6x15

1 8x

<6>

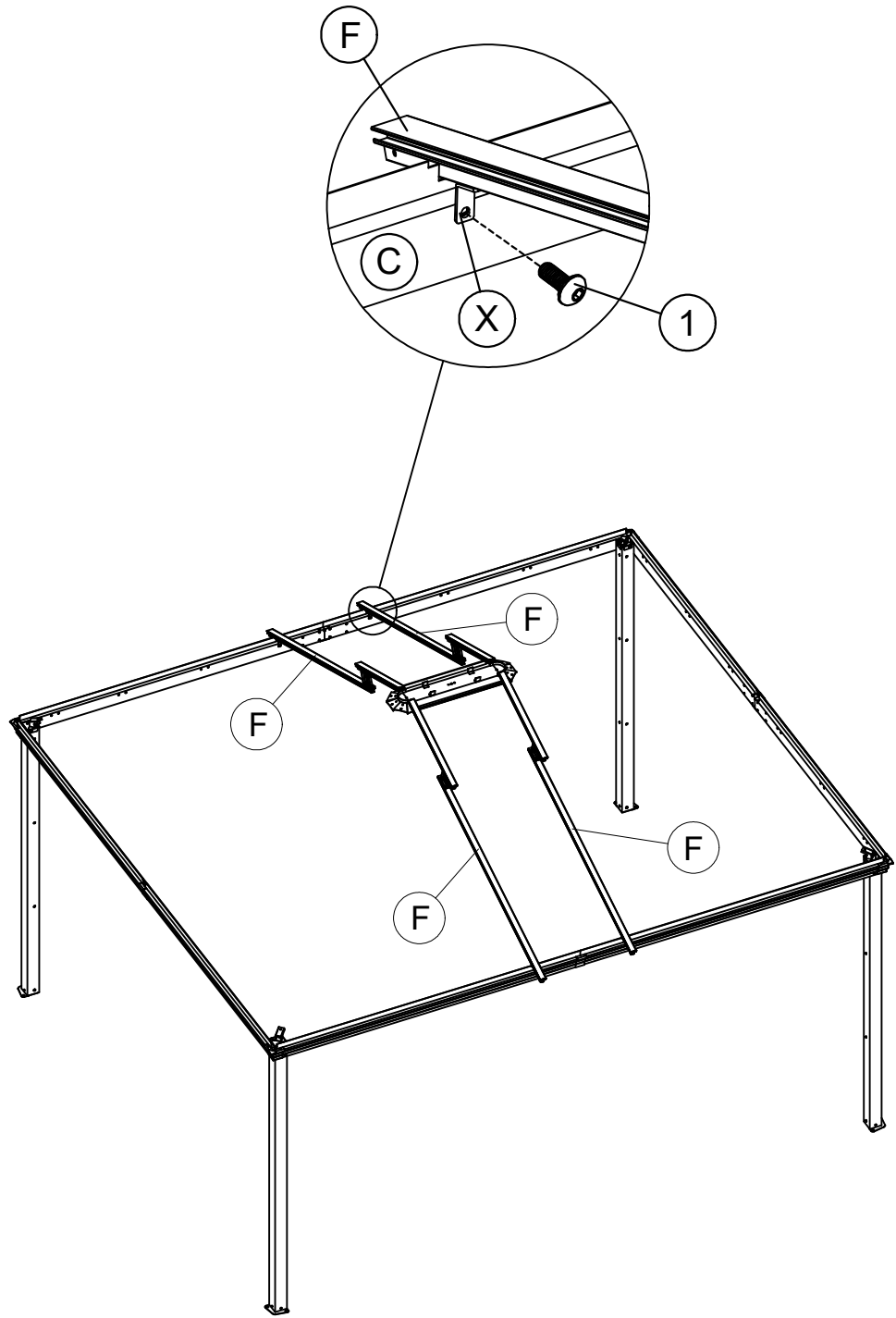


<7>



M6x15

1 4x

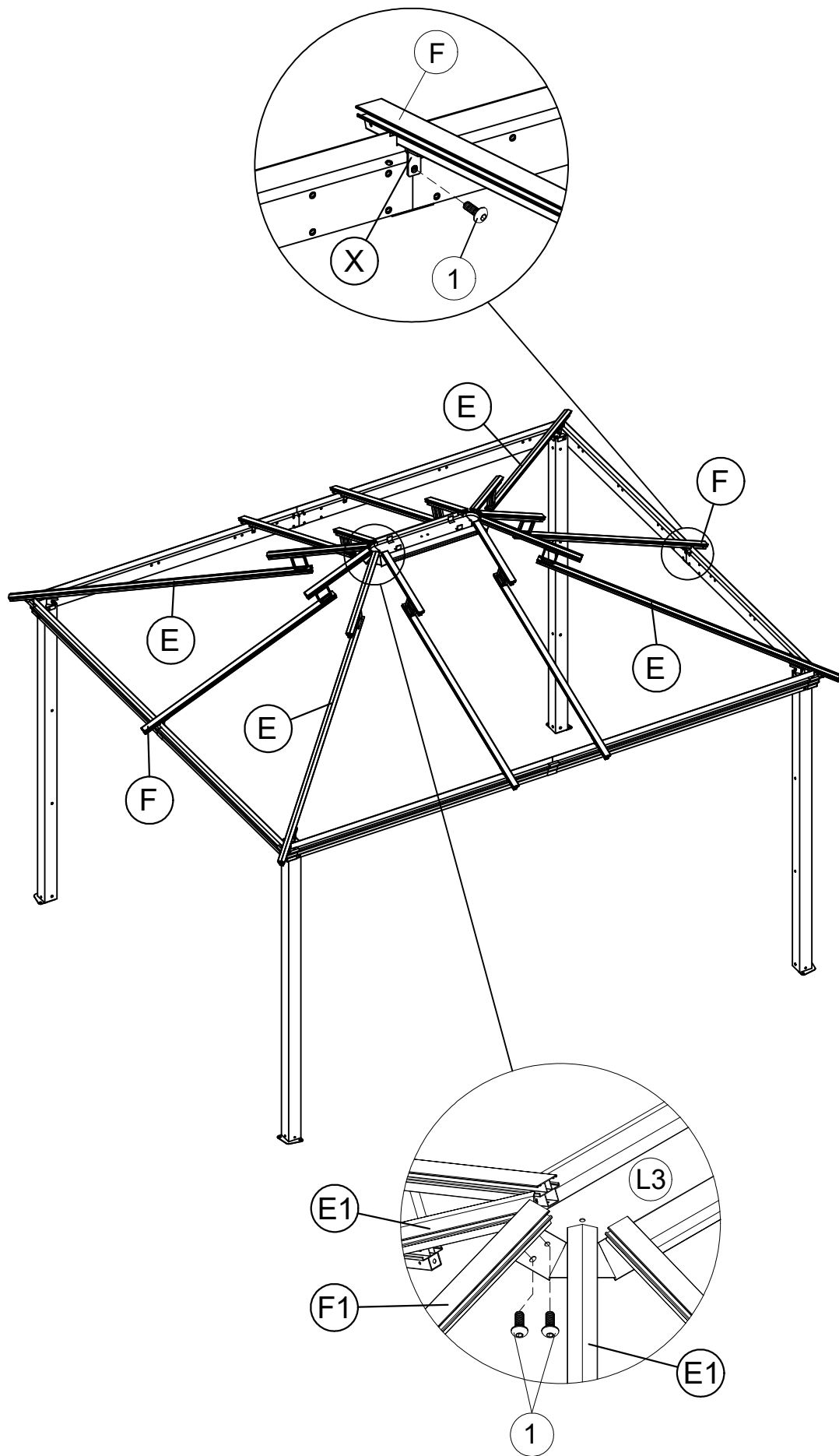


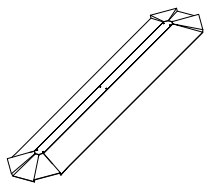
<8>



M6x15

1 18x



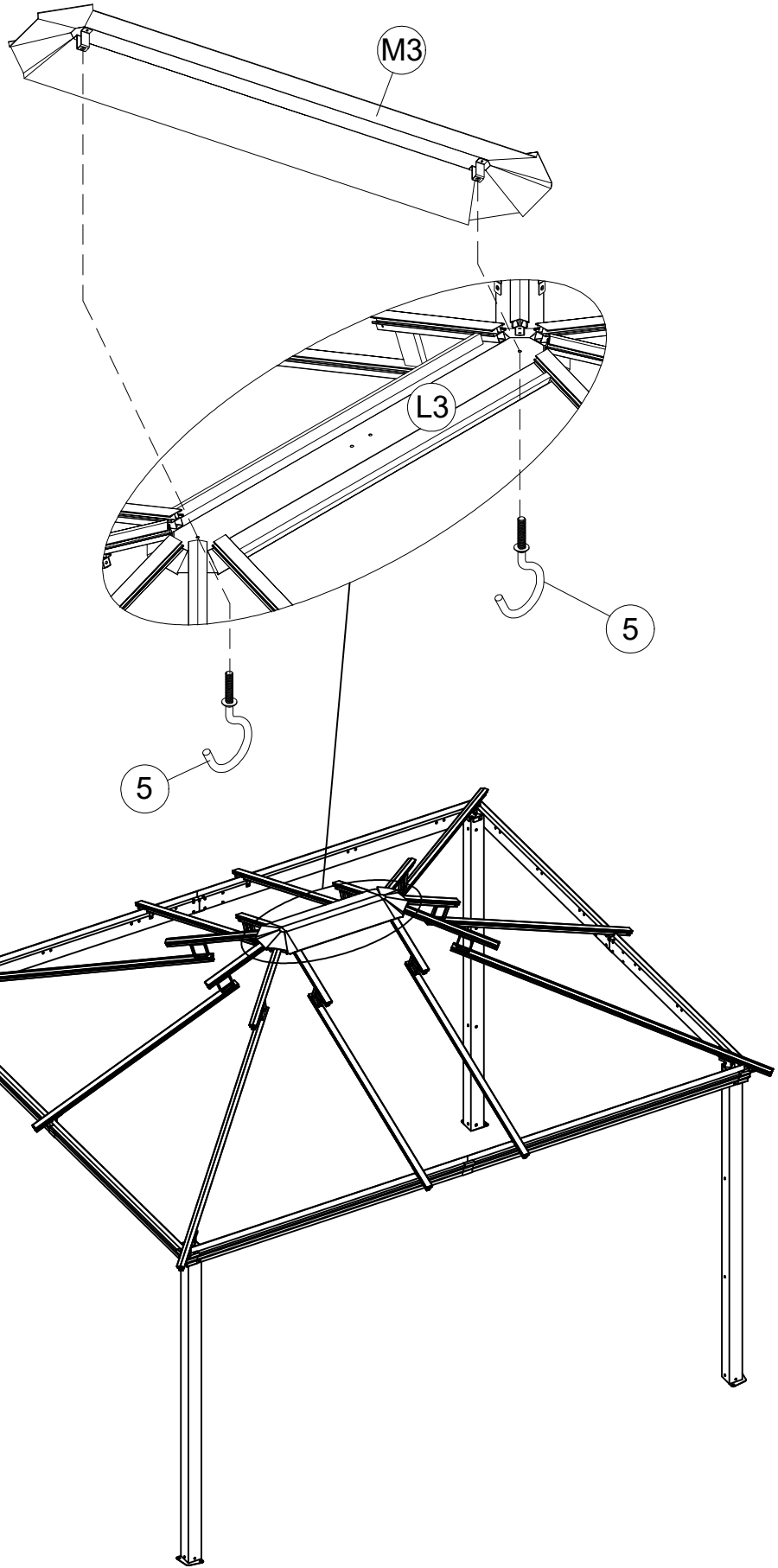


<9>

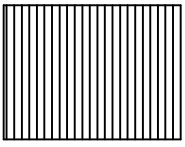
M3 1x



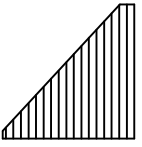
5 2x



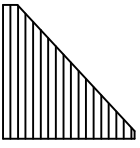
<10>



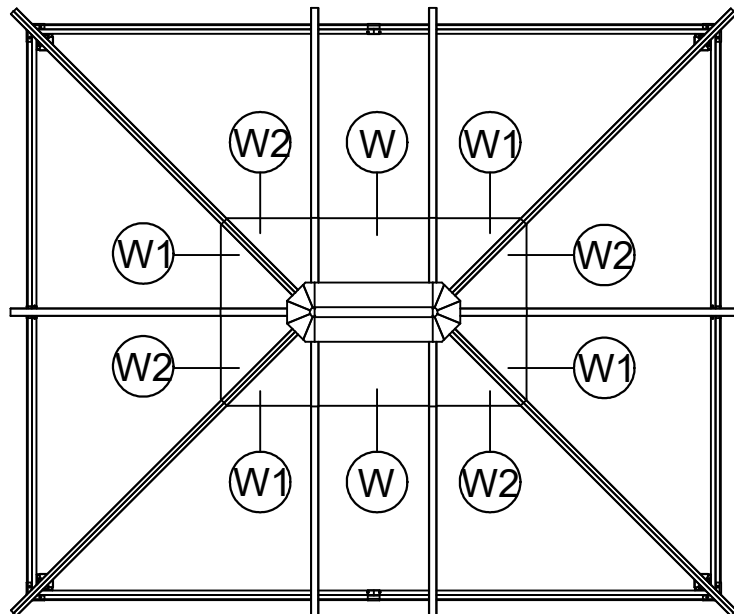
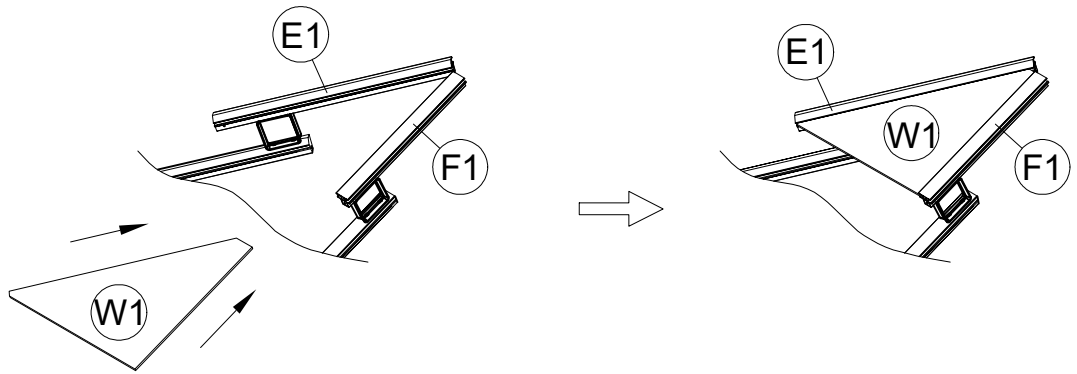
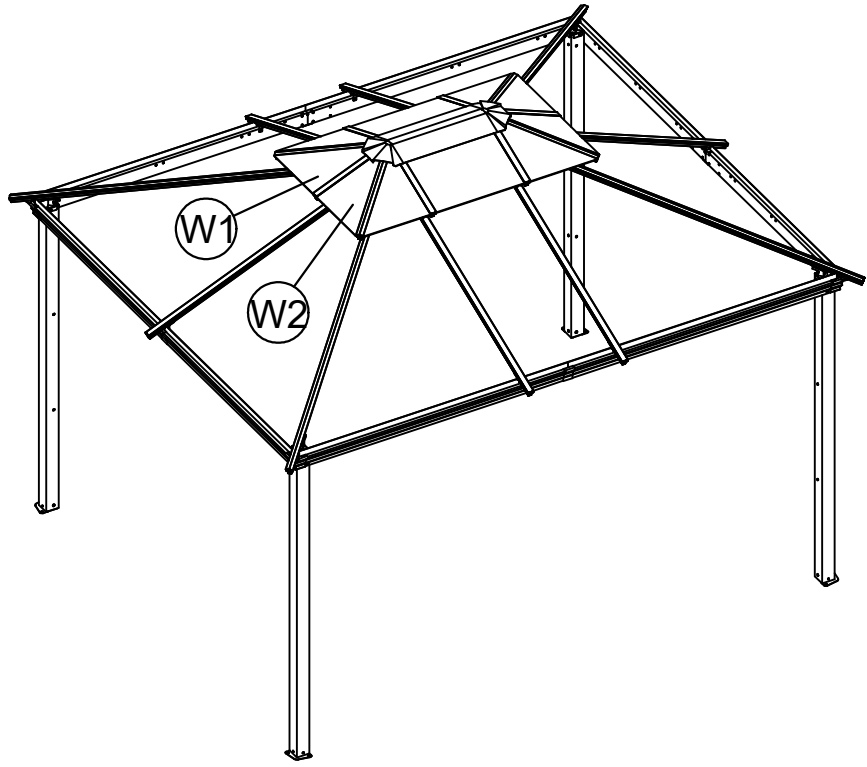
W 2x



W1 4x



W2 4x



<11>



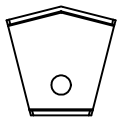
(H) 2x



(H3) 4x



(H4) 4x



(N) 4x

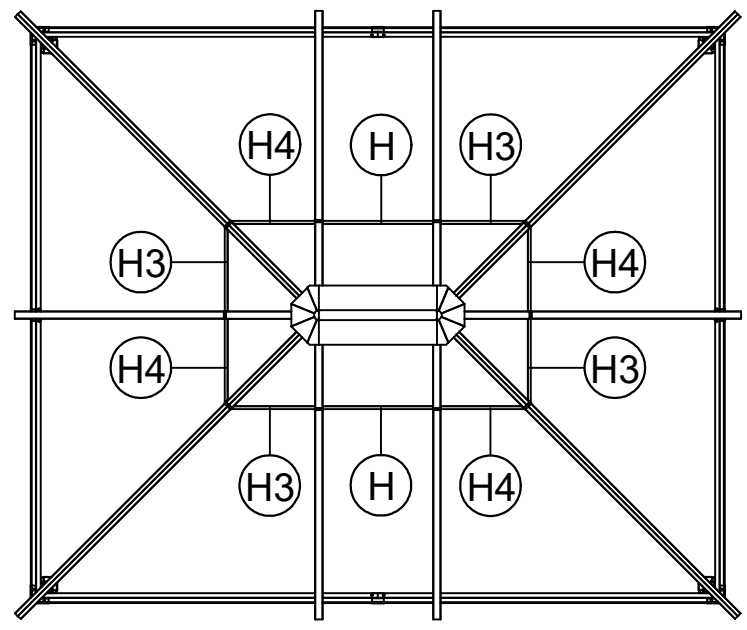
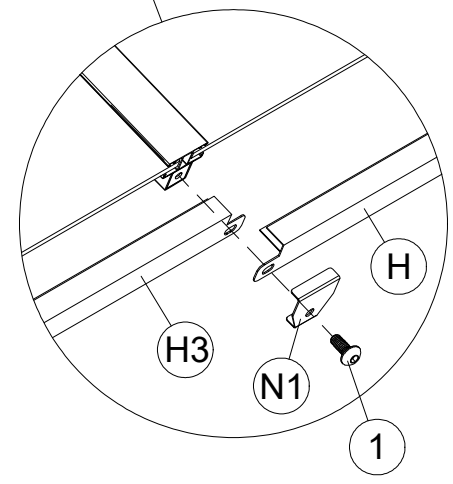
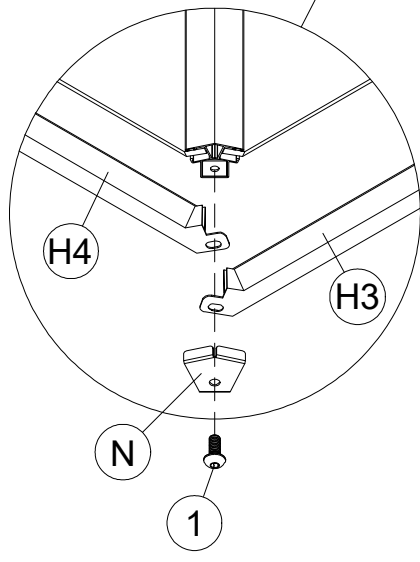
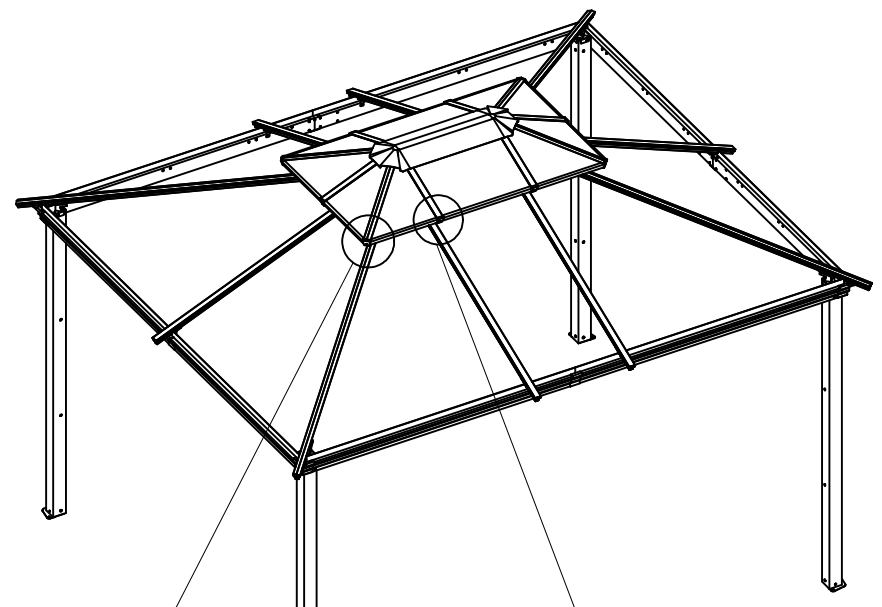


(N1) 6x

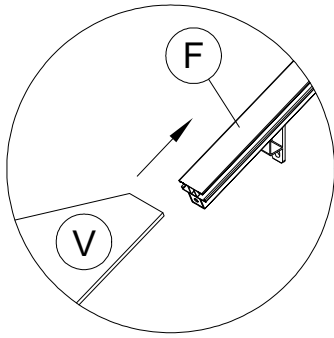
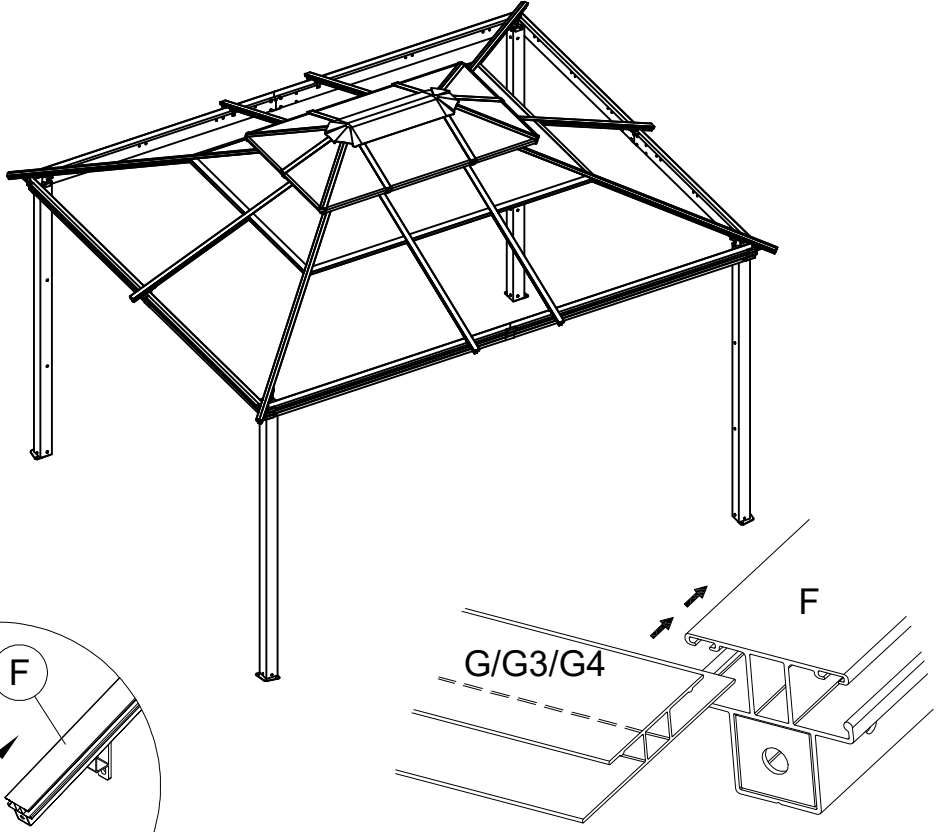
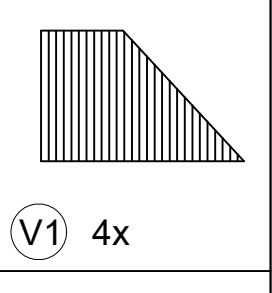
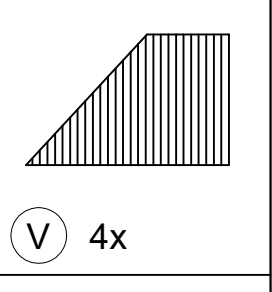
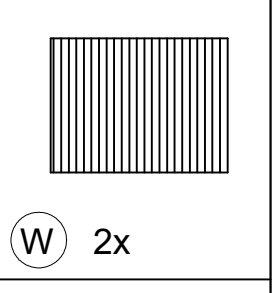
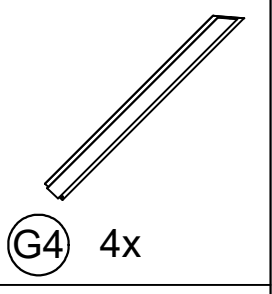
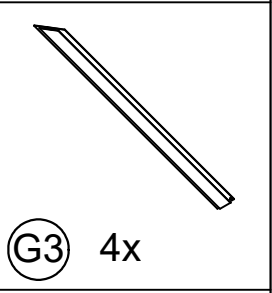
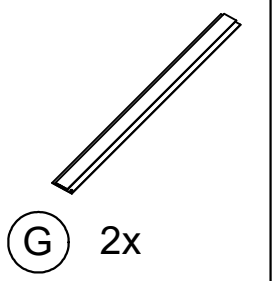


M6x15

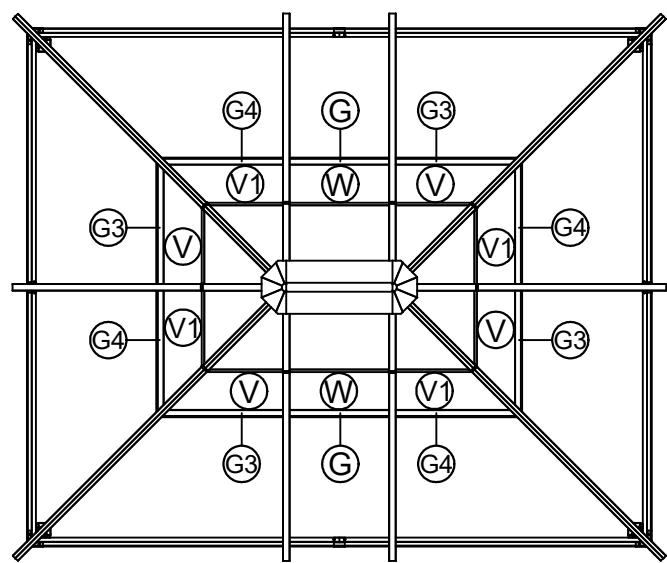
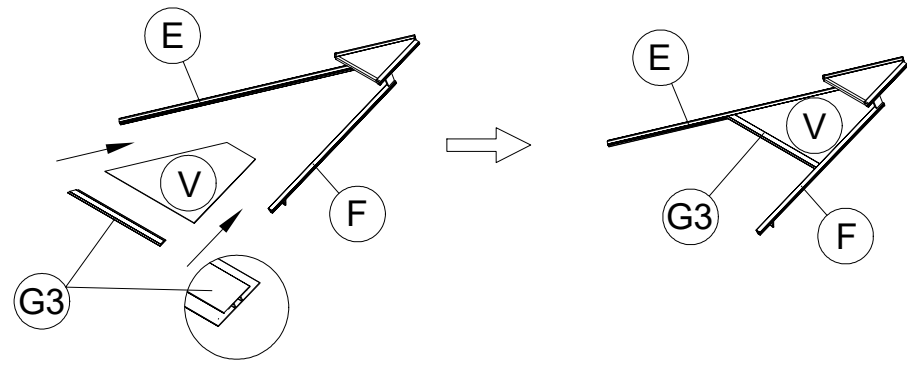
(1) 10x



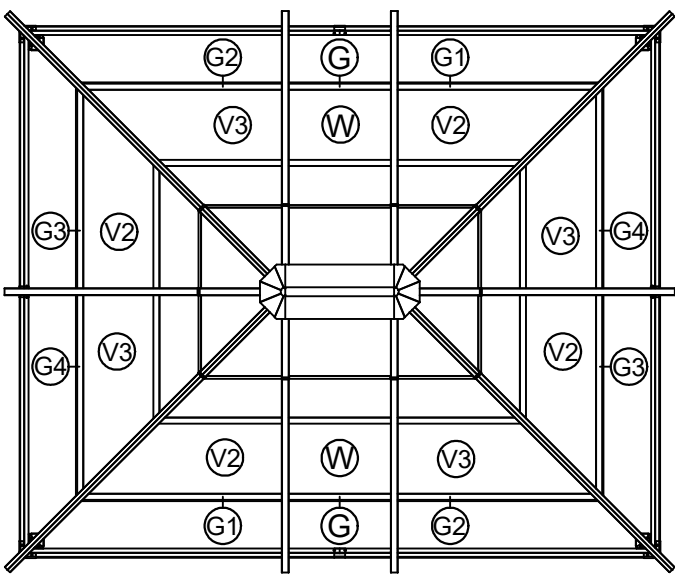
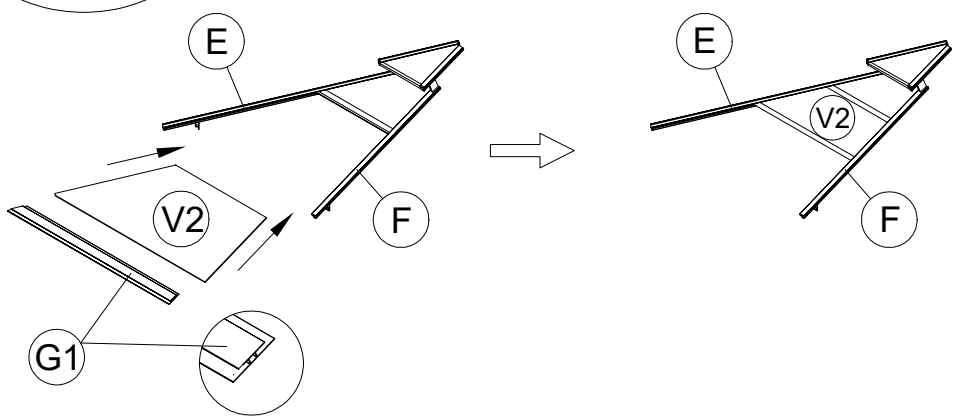
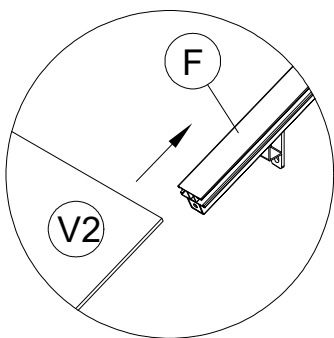
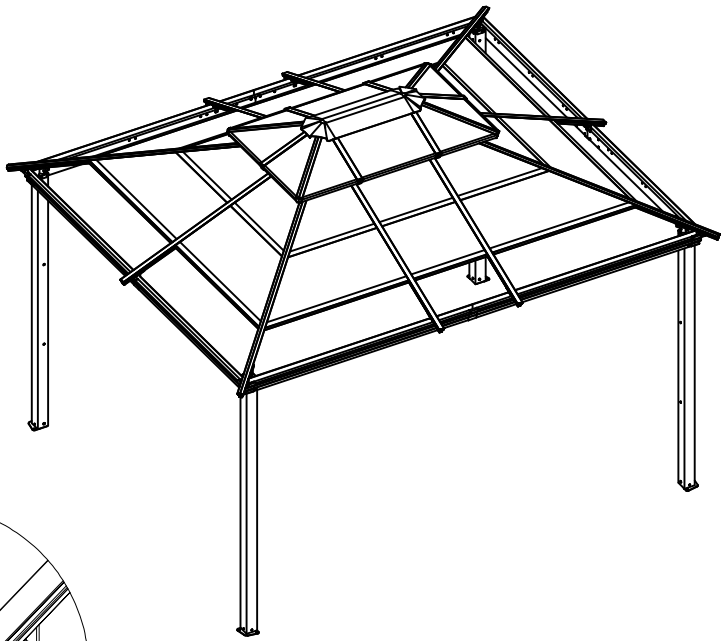
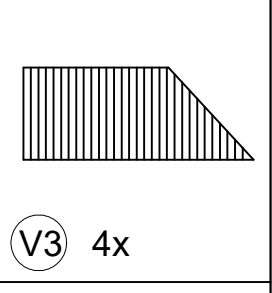
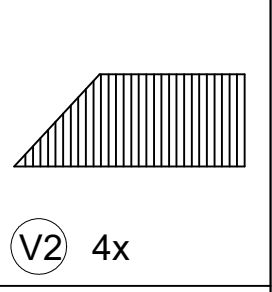
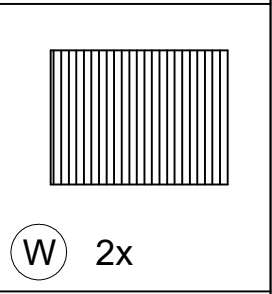
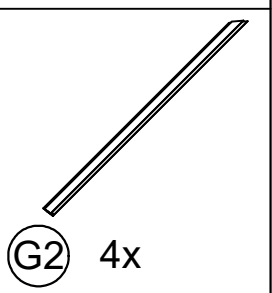
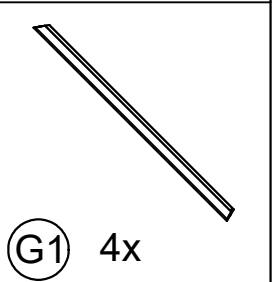
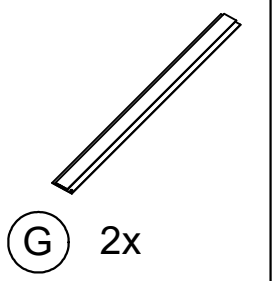
<12>



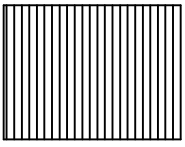
Note: When G, G3, or G4 are inserted into F, the wide side must face downward and the narrow side upward; otherwise, it may cause water leakage.



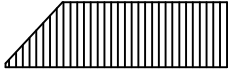
<13>



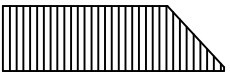
<14>



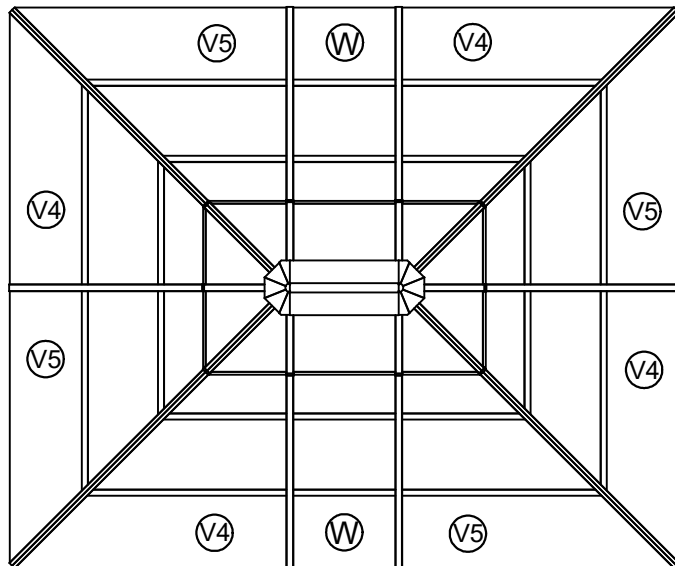
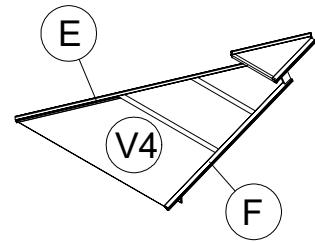
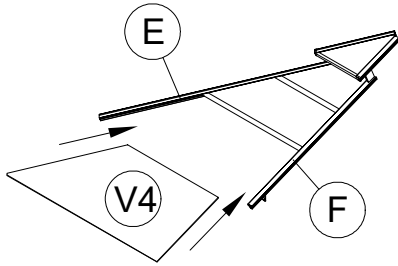
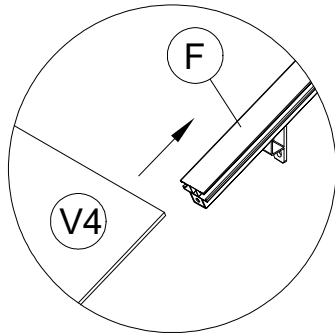
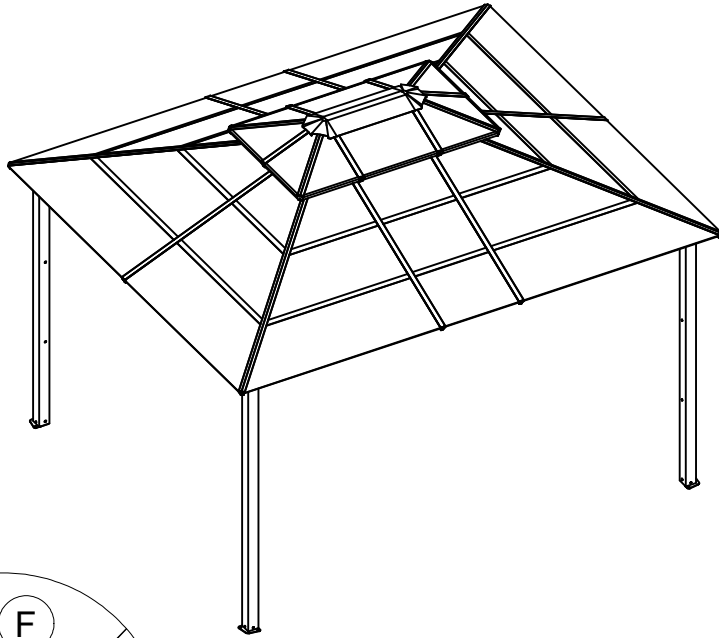
W 2x



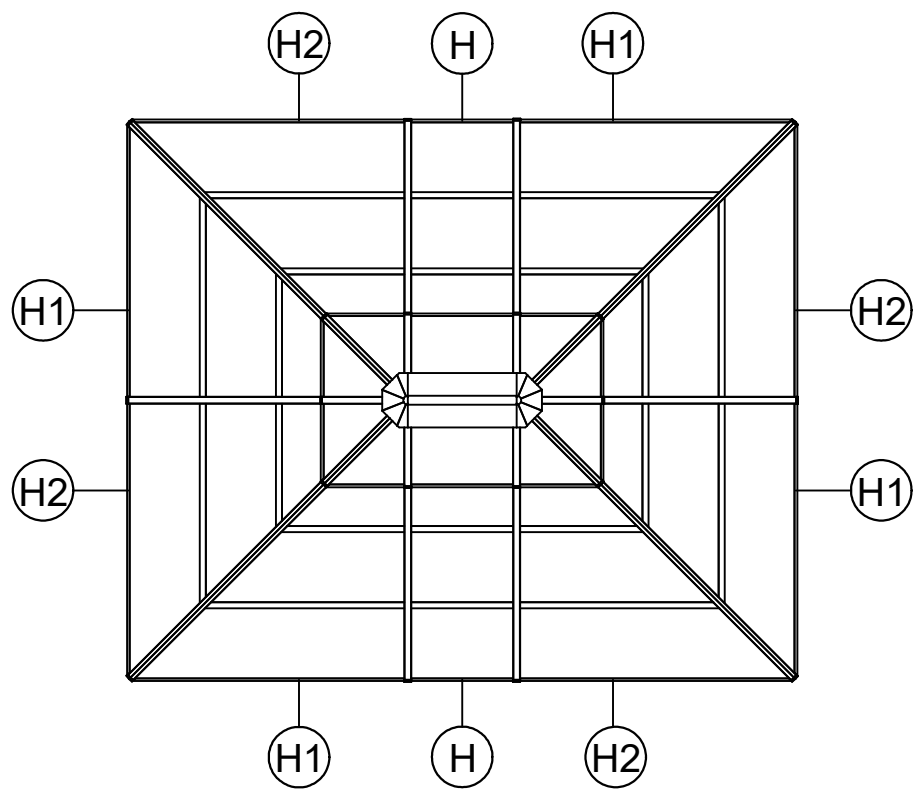
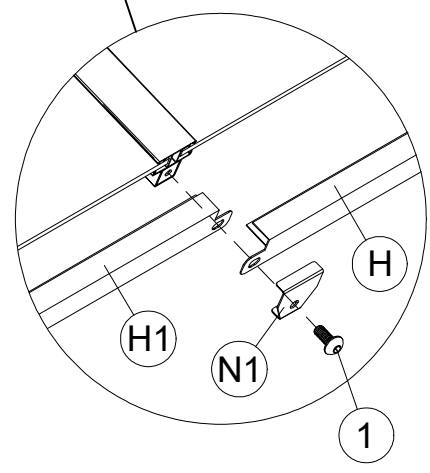
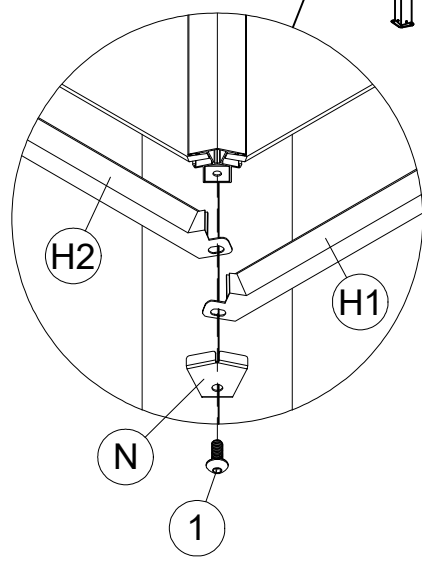
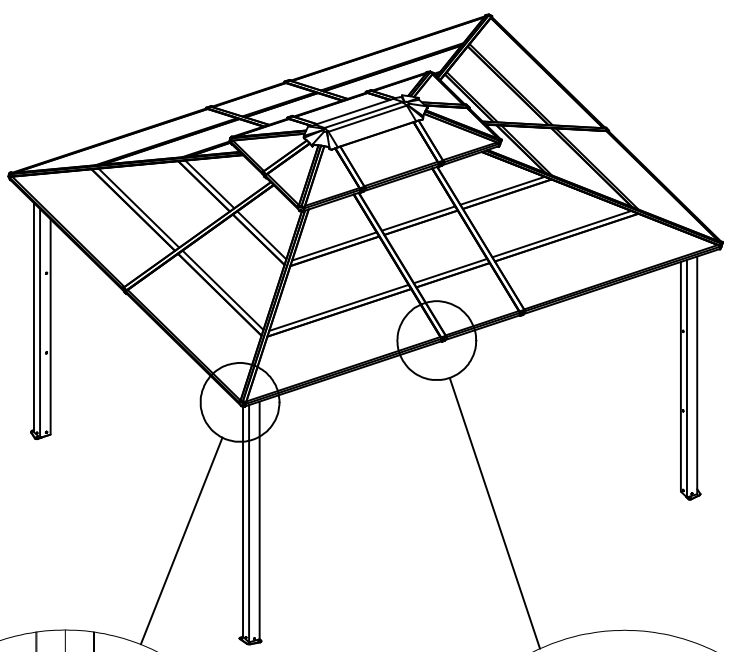
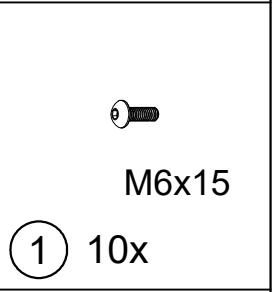
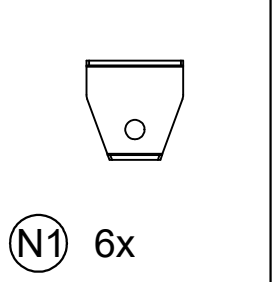
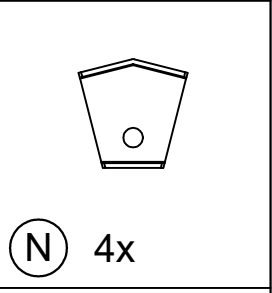
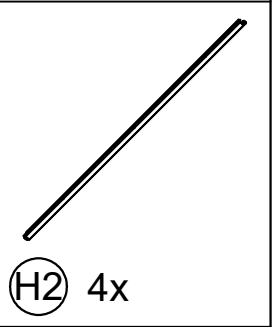
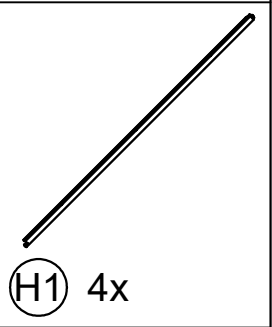
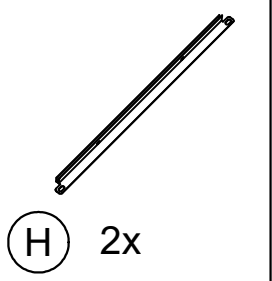
V4 4x



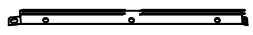
V5 4x



<15>



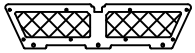
<16>



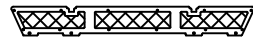
I 2x



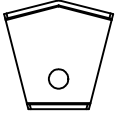
I1 2x



Z 2x



Z1 2x



N 4x



M6x15

1 10x



M6x10

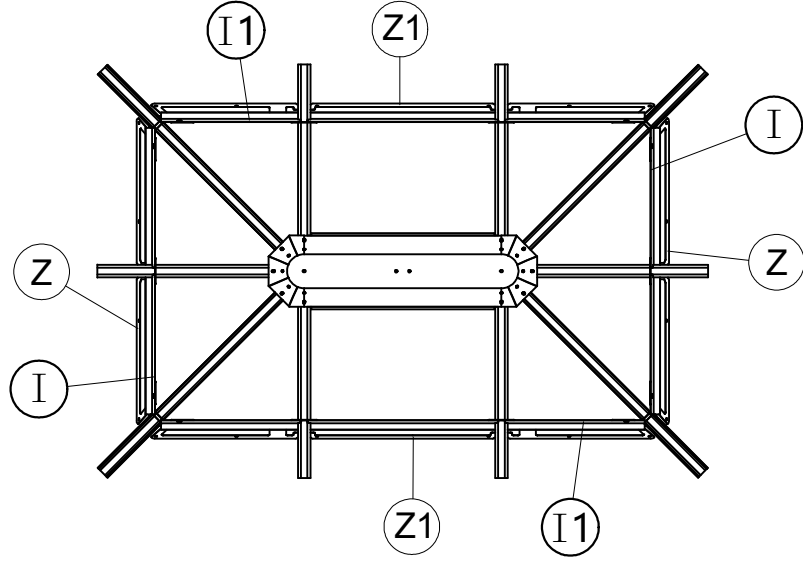
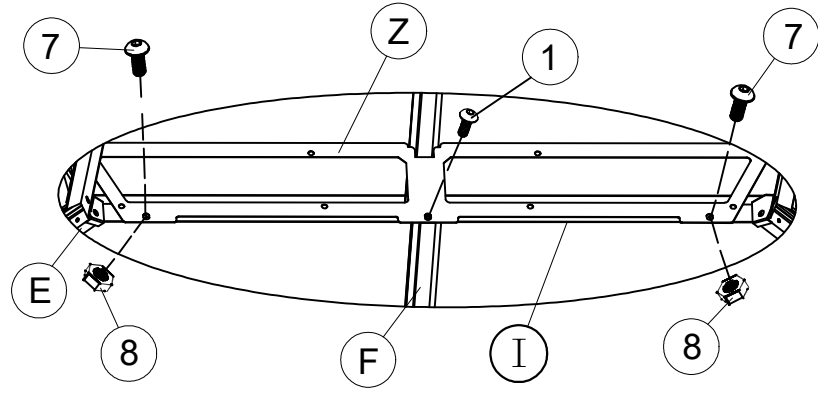
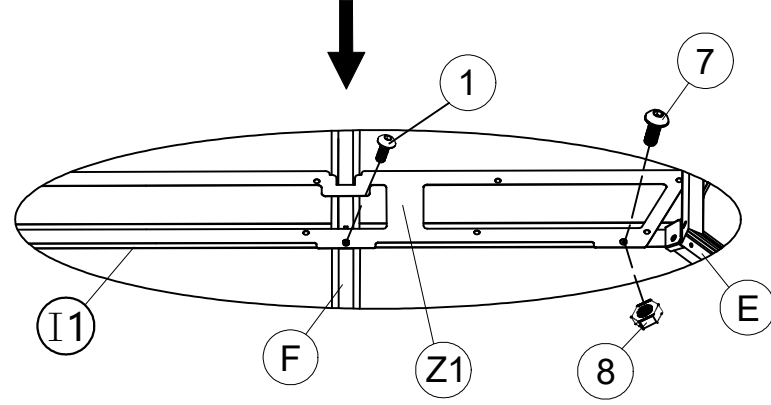
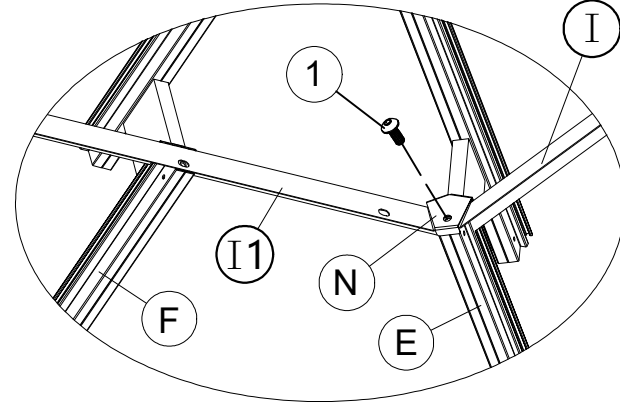
7 8x



M6

8 8x

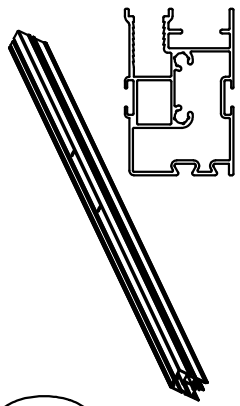
26



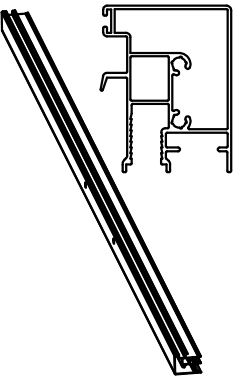
Top view of the roof

<17>

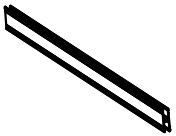
(AB) 2x



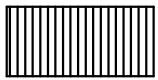
(M1B) 2x



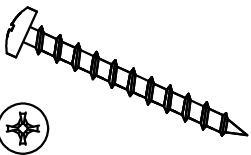
(M1C) 2x



(M5G) 4x

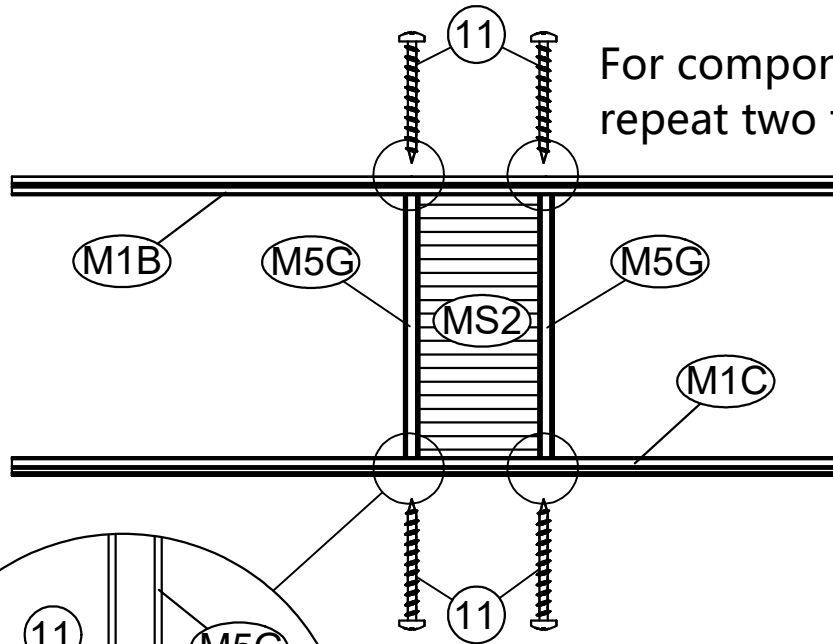


(MS2) 2x

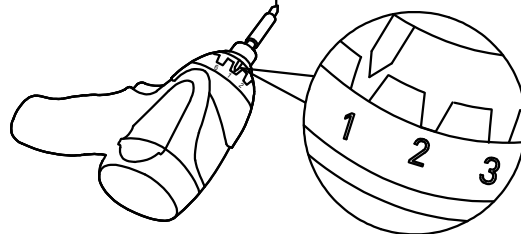
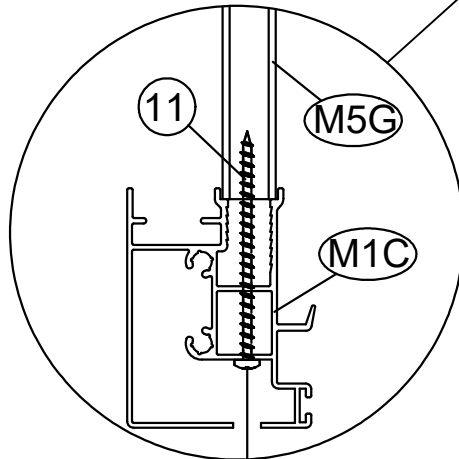


M4x50

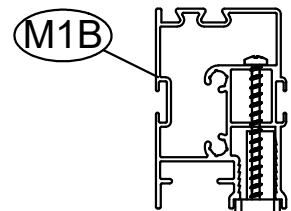
(11) 8x



For component AB,  
repeat two times.

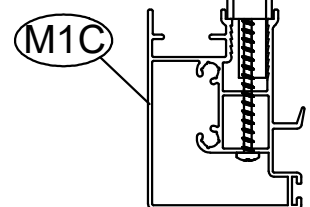


Select the  
low gear.



(MS2)

With the side of the  
PC panel that has text  
facing outward,  
remove the protective  
film before installation.

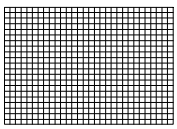


The door frame installation template is provided  
on pages 26 to 30. All following door frames  
should be installed according to this template.

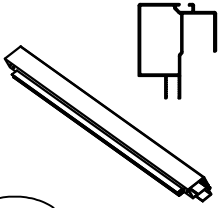
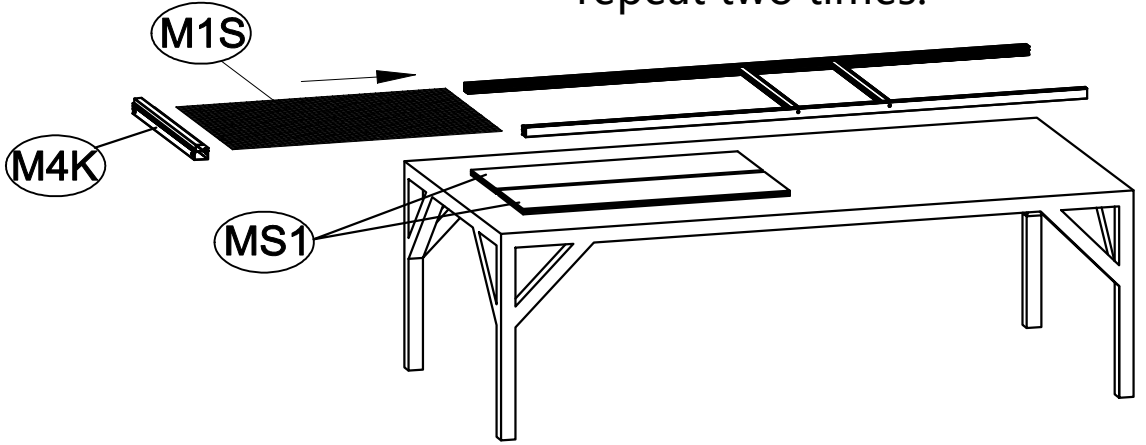
<18>

For component AB, repeat two times.

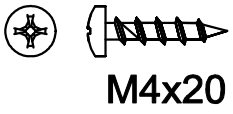
AB 2x



M1S 2x

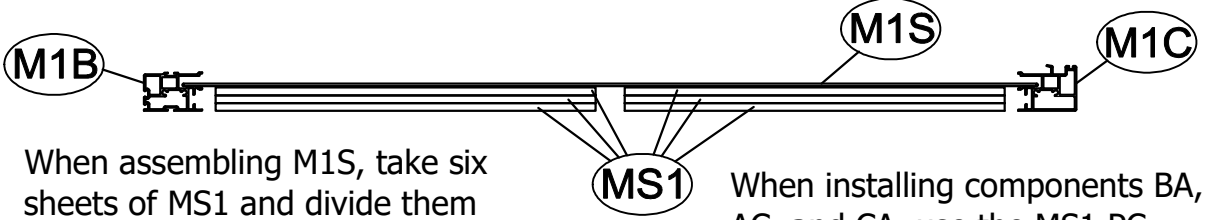


M4K 2x



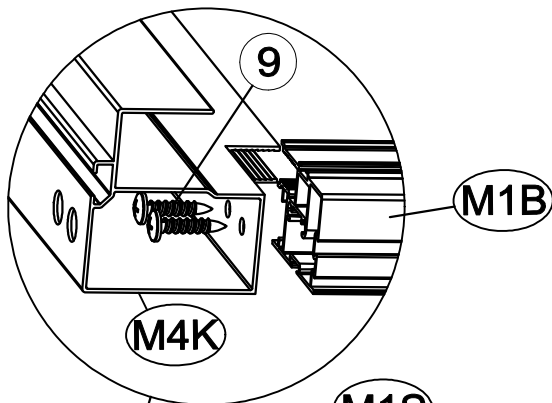
M4x20

9 8x

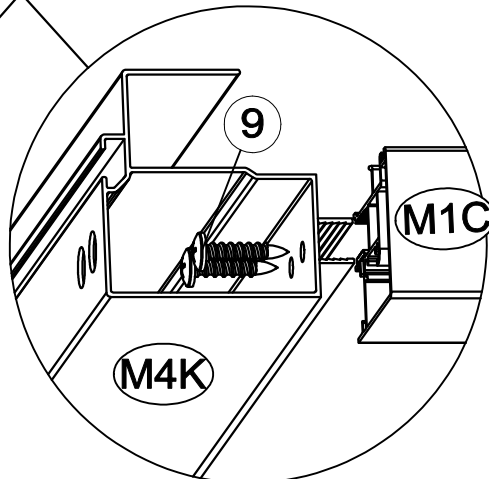
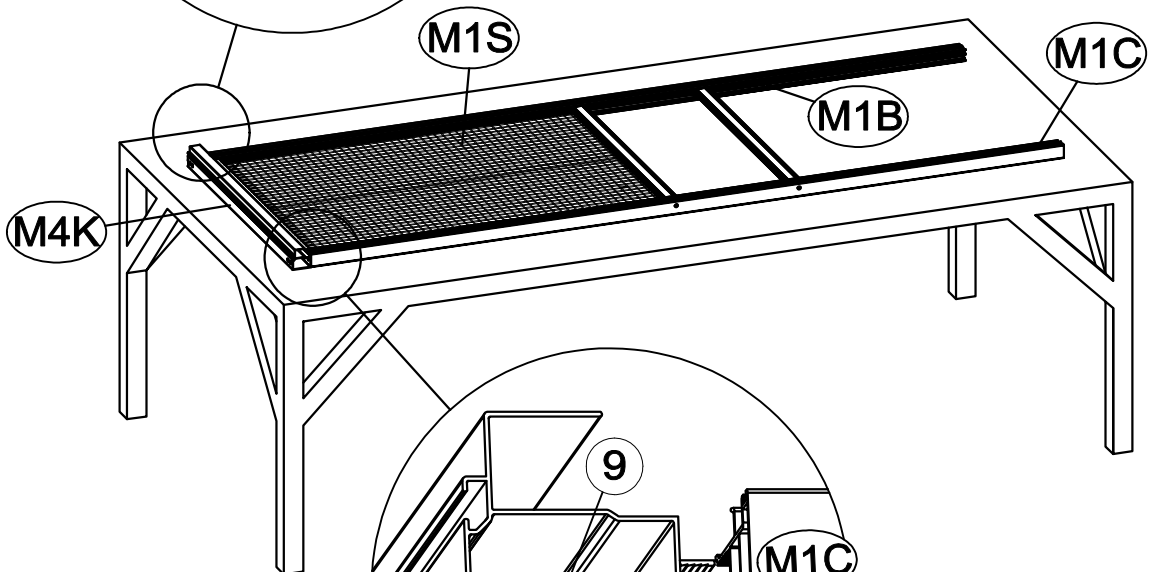


When assembling M1S, take six sheets of MS1 and divide them into two piles. Place the piles under the bottom to lift M1S.

When installing components BA, AC, and CA, use the MS1 PC panel as a pad in the same way.



Please pay attention to the details.



<19>

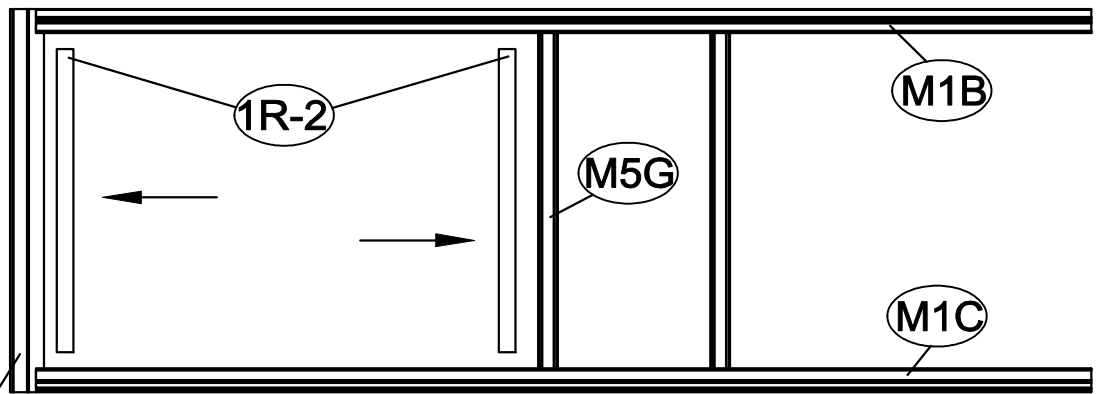
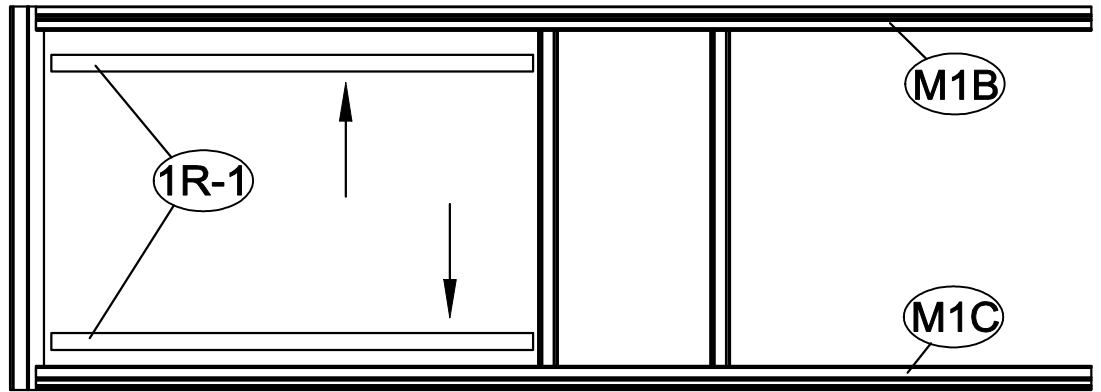
For component AB,  
repeat two times.

AB 2x

1R-1 4x

1R-2 4x

Before installing parts 1R-1 and 1R-2, move the mesh by hand to ensure there is enough space around it.



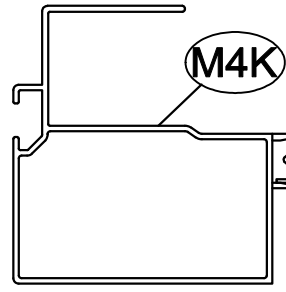
M4K

M1B

1R-1

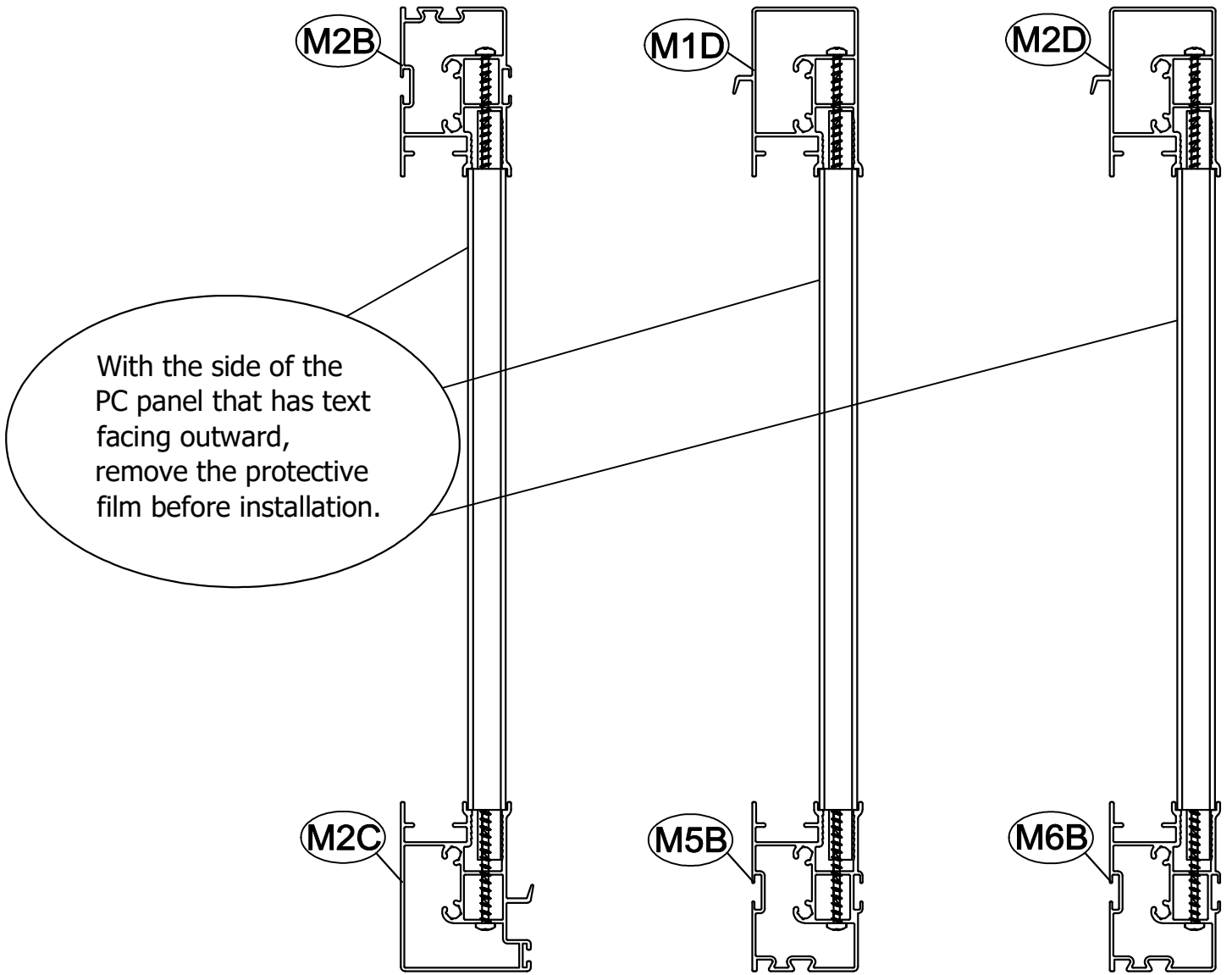
M1C

M1S



M1S

This picture is provided for subsequent reference.

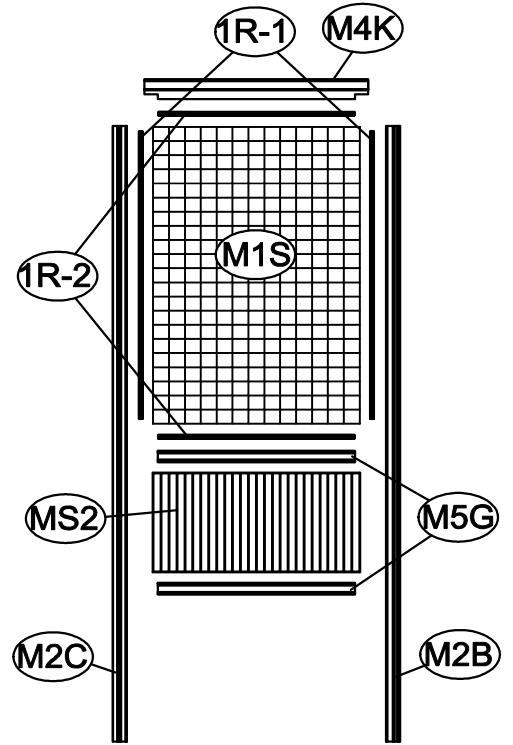


<21>

Door frame BA, AC, and CA installation: see pages 25–29.

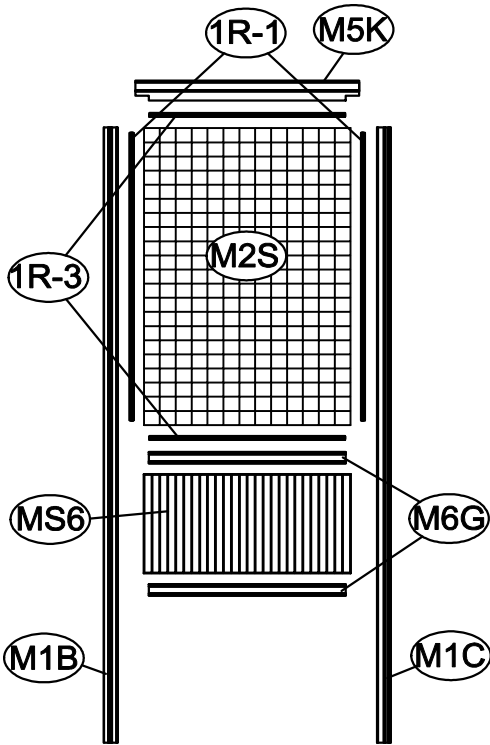
- (M4K) 2x
- (1R-1) 4x
- (1R-2) 4x
- (M5G) 4x
- (M1S) 2x
- (MS2) 2x
- (M2B) 2x
- (M2C) 2x
- (11) 8x
- (9) 8x

For component BA, **BA** 2x repeat two times.



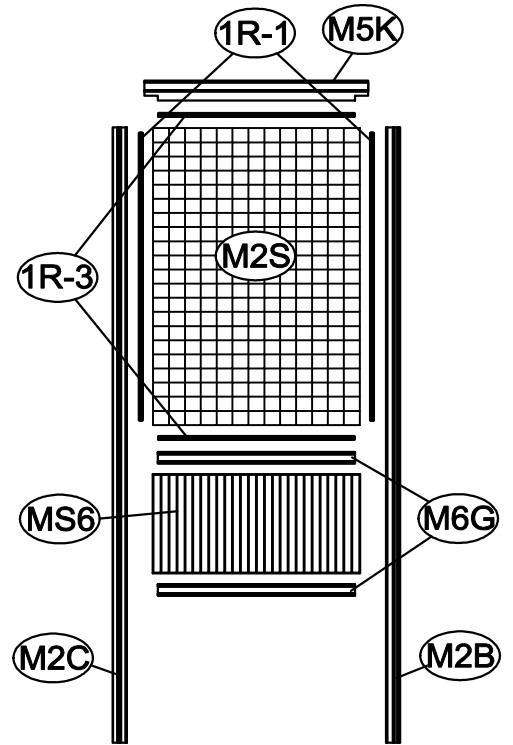
- (M5K) 2x
- (1R-1) 4x
- (1R-3) 4x
- (M6G) 4x
- (M2S) 2x
- (MS6) 2x
- (M1B) 2x
- (M1C) 2x
- (11) 8x
- (9) 8x

For component AC, **AC** 2x repeat two times.



- (M5K) 2x
- (1R-1) 4x
- (1R-3) 4x
- (M6G) 4x
- (M2S) 2x
- (MS6) 2x
- (M2B) 2x
- (M2C) 2x
- (11) 8x
- (9) 8x

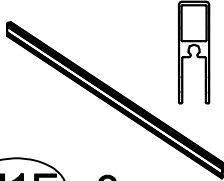
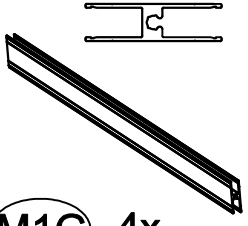
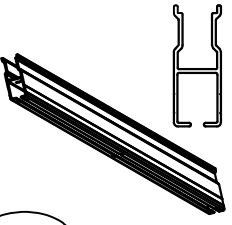
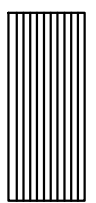
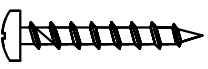

For component CA, **CA** 2x repeat two times.

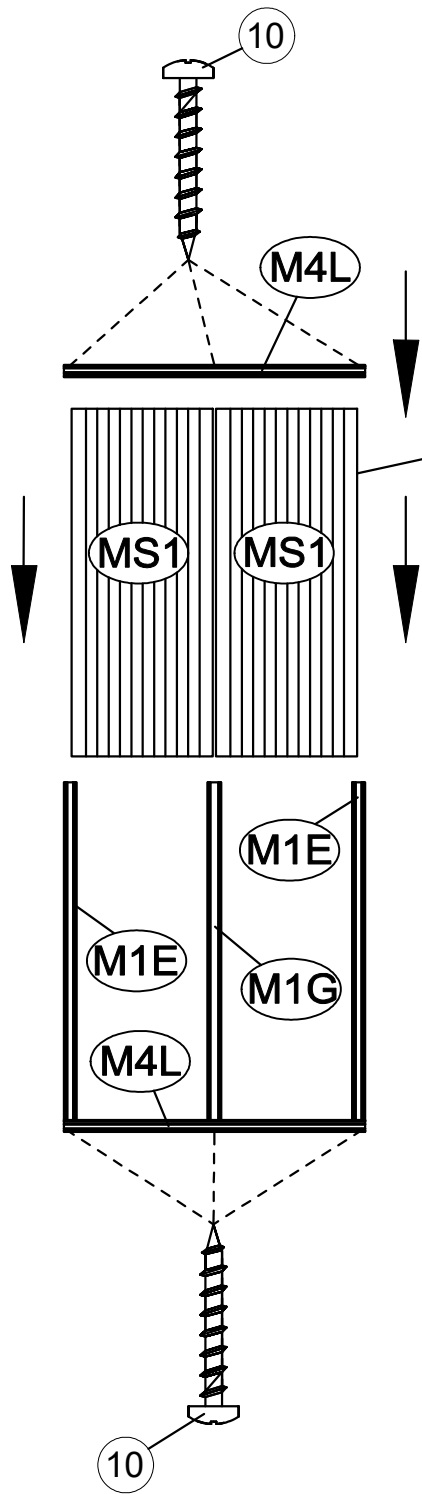


AB and BA are symmetrical components; AC and CA are also symmetrical.

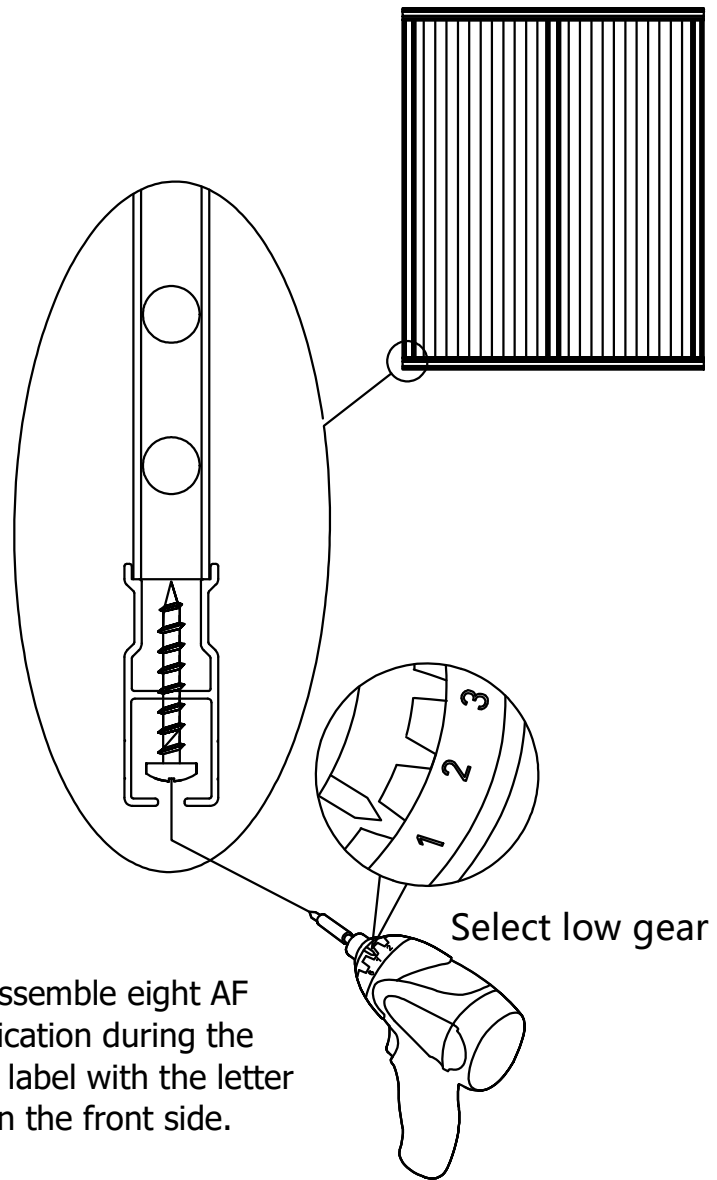
<22>

For component AF, **AF** 4x repeat four times.

-  **M1E** 8x
-  **M1G** 4x
-  **M4L** 8x
-  **MS1** 8x
-  **M4x35**
-  **10** 24x



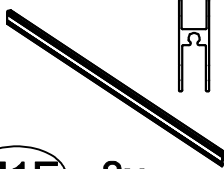
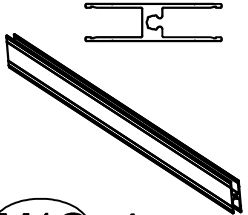
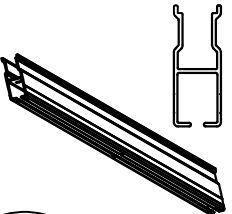
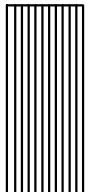
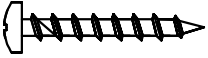

With the side of the PC panel that has text facing outward, remove the protective film before installation. After installation, make sure the front side remains facing outward for the next step.

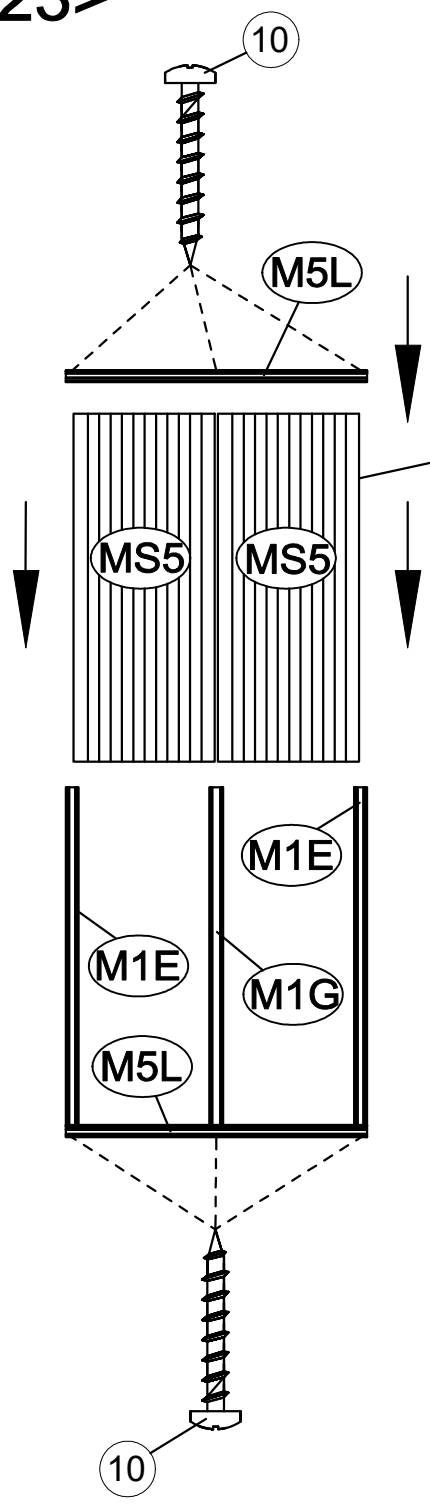


Repeat the previous steps to assemble eight AF components. For easier identification during the following assembly, attach the label with the letter "AF" to a prominent position on the front side.

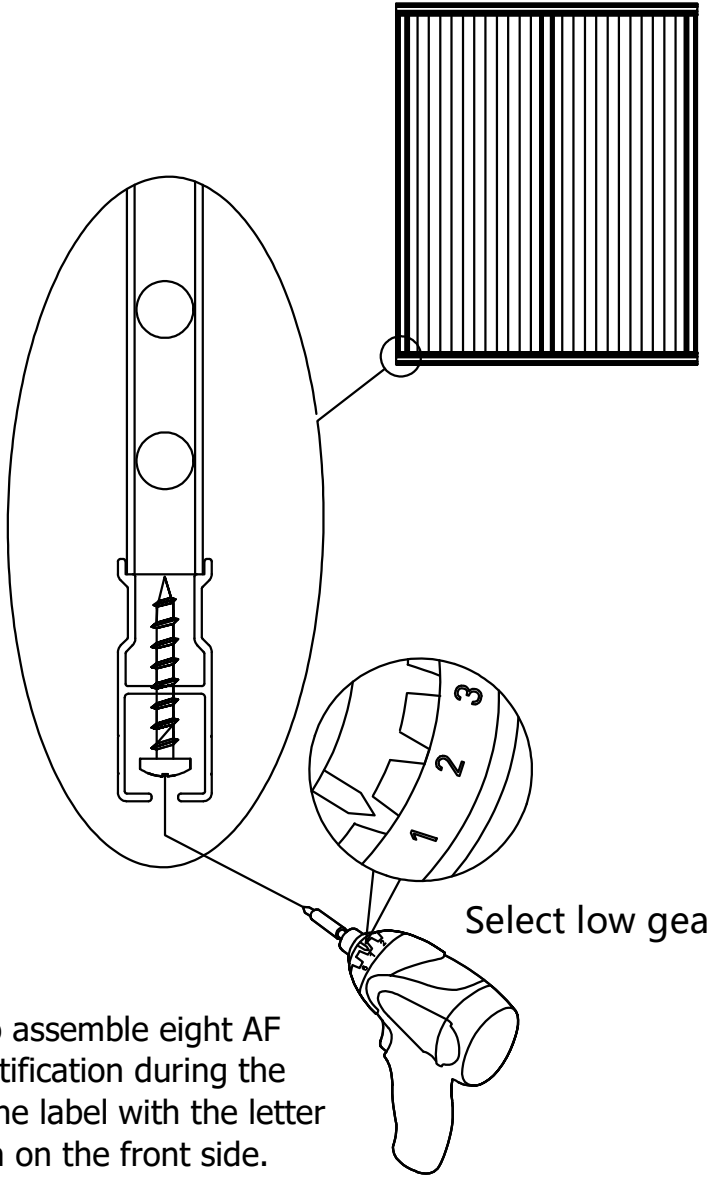
<23>

For component AG, **AG** 4x repeat four times.

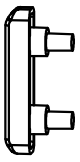
-  **M1E** 8x
-  **M1G** 4x
-  **M5L** 8x
-  **MS5** 8x
-  **M4x35**
-  **10** 24x



With the side of the PC panel that has text facing outward, remove the protective film before installation. After installation, make sure the front side remains facing outward for the next step.



Repeat the previous steps to assemble eight AF components. For easier identification during the following assembly, attach the label with the letter "AG" to a prominent position on the front side.



<24>

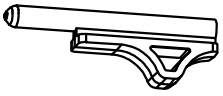
AF 4x

AG 4x

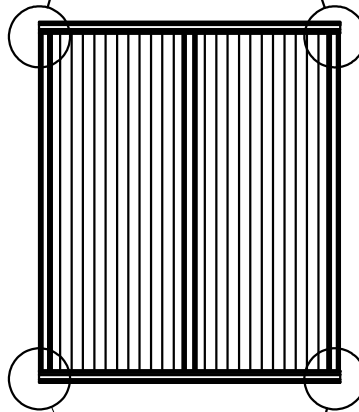
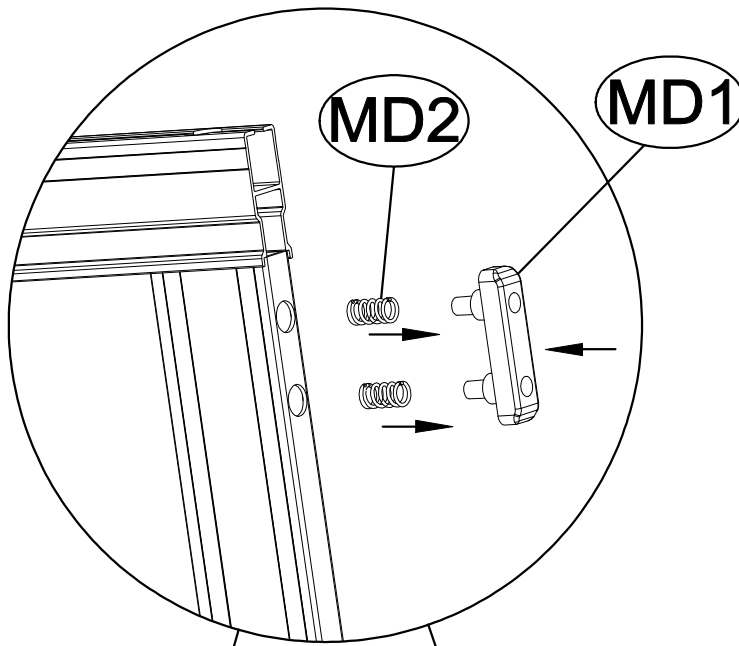
MD1 32x



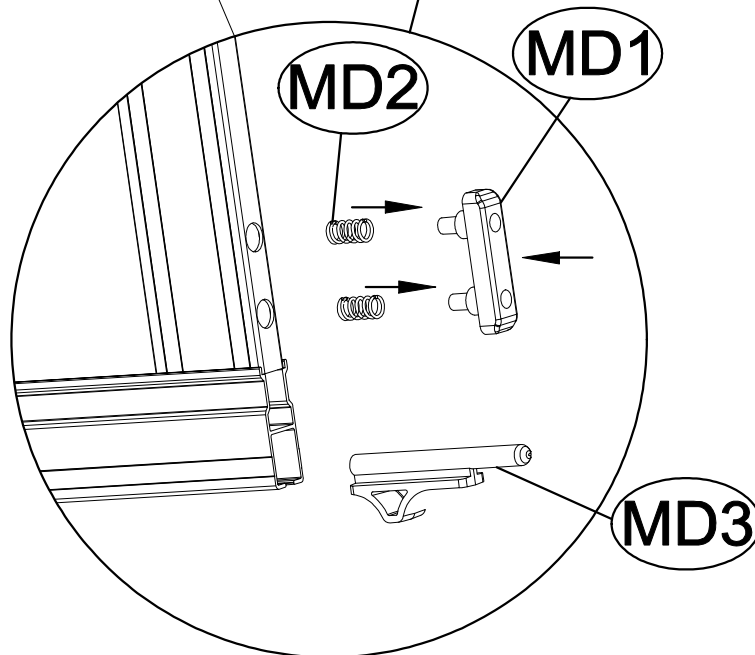
MD2 64x



MD3 16x



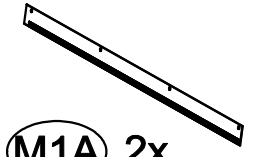
This step is recommended to be assembled with the next step together.



<25>

AB 2x

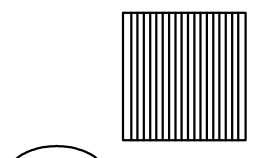
BA 2x



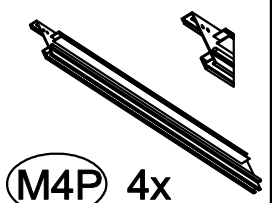
M1A 2x



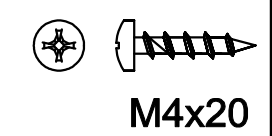
M2A 2x



MS3 4x

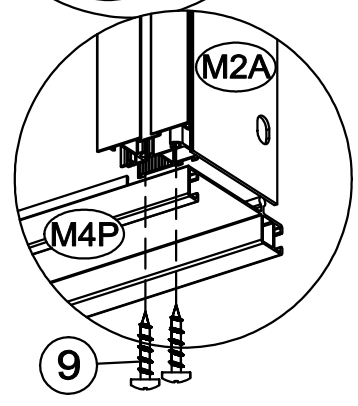
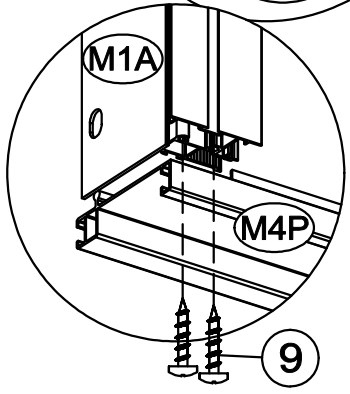
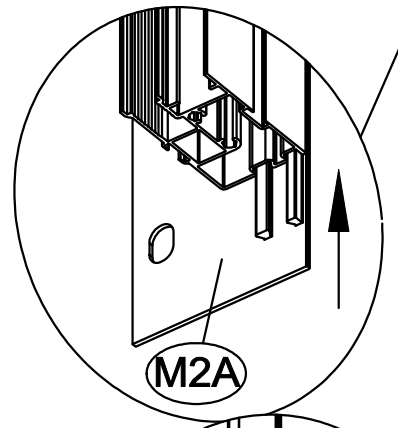
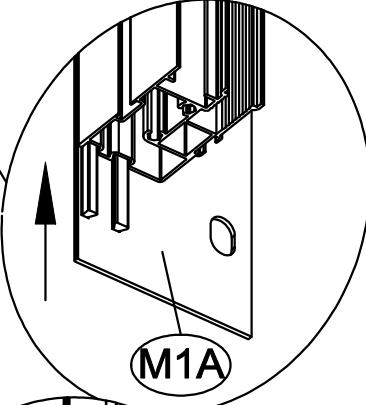
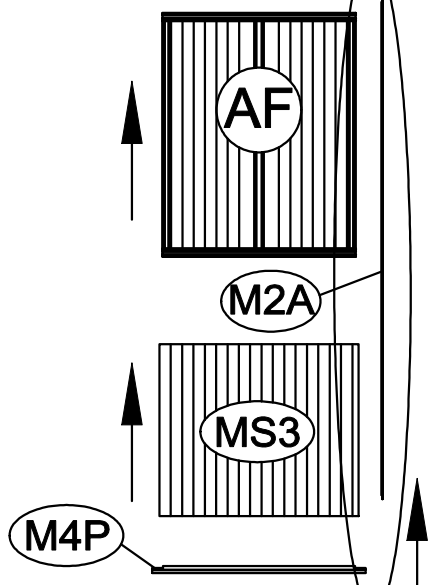
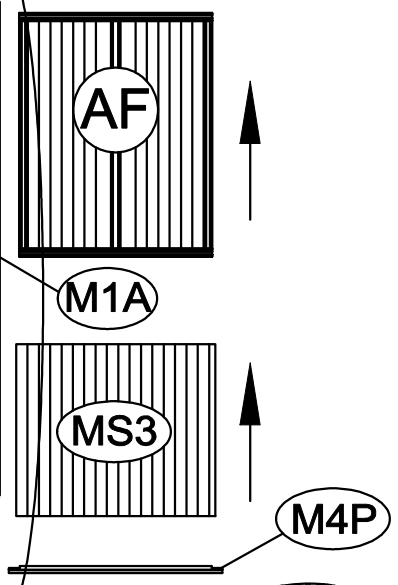
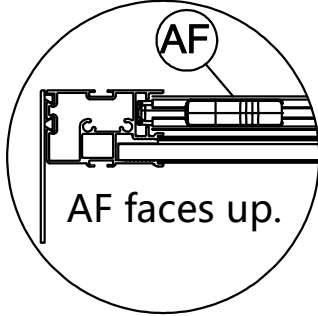
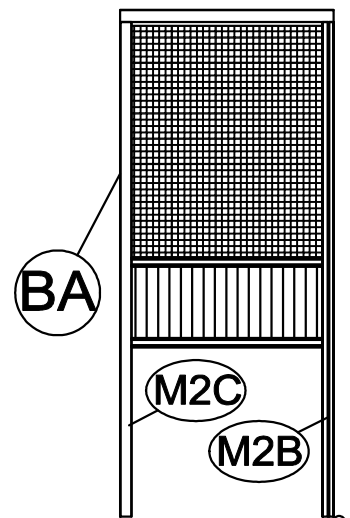
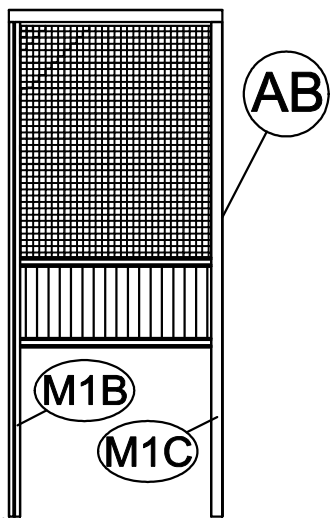


M4P 4x



M4x20

9 16x

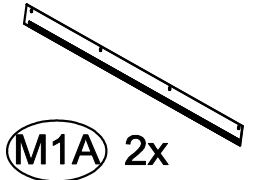


35

<26>

AC 2x

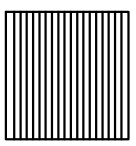
CA 2x



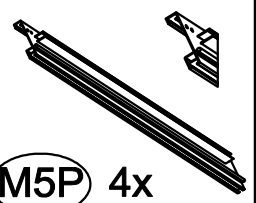
M1A 2x



M2A 2x



MS7 4x

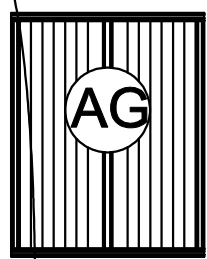
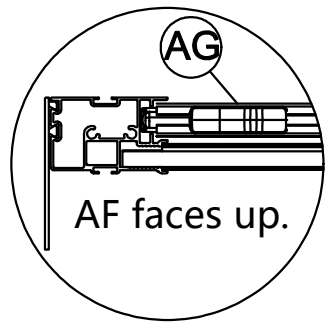
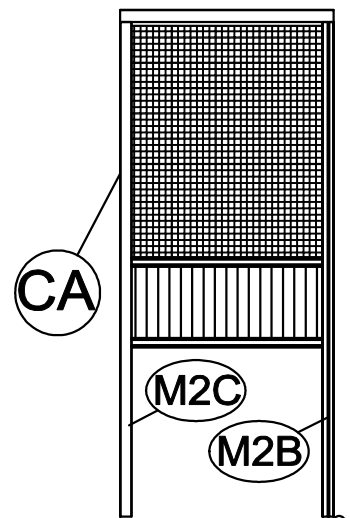
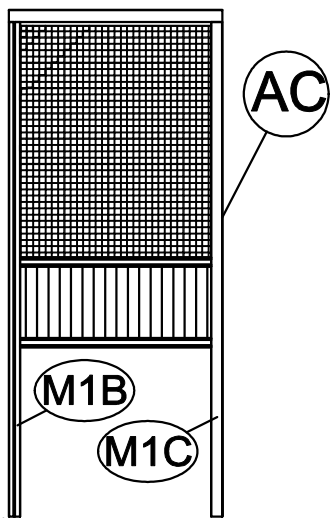


M5P 4x

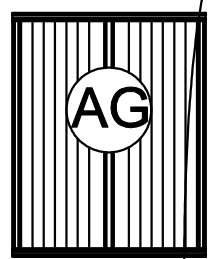


M4x20

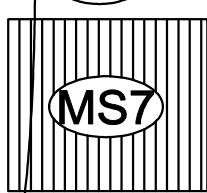
9 16x



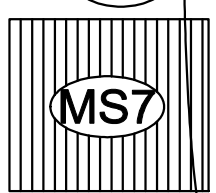
M1A



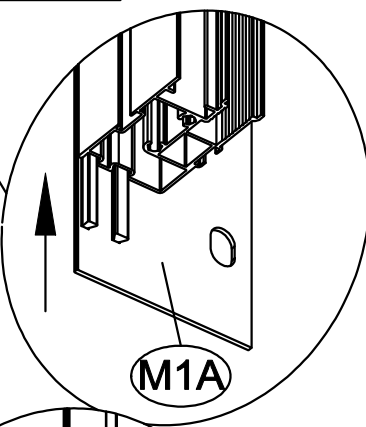
M2A



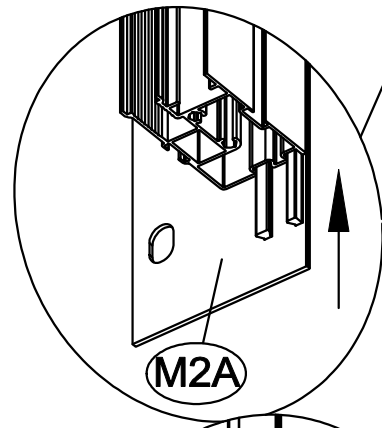
MS7



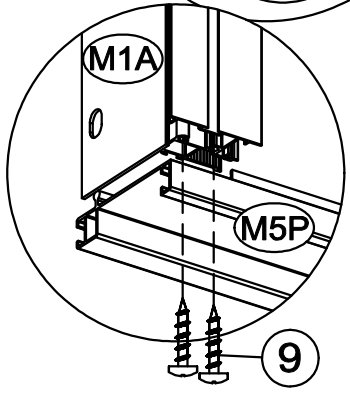
MS7



M1A



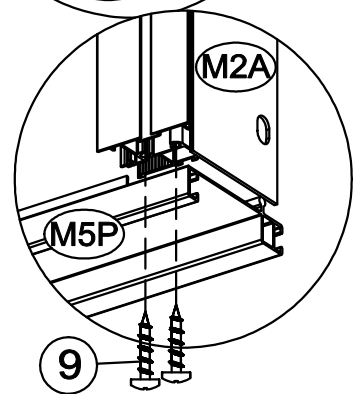
M2A



M1A

M5P

9

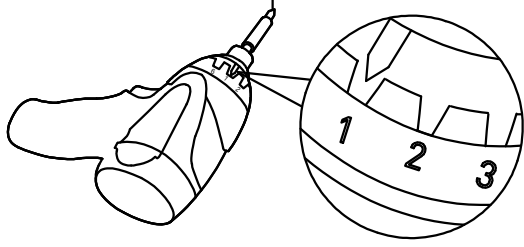
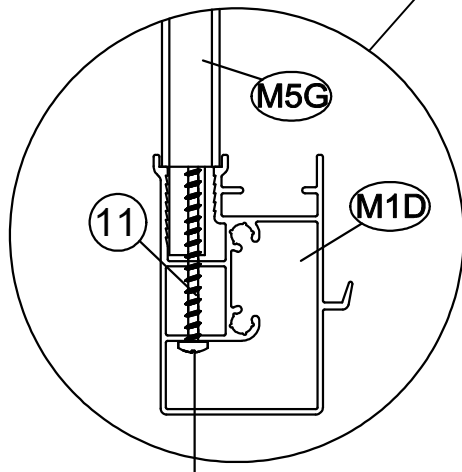
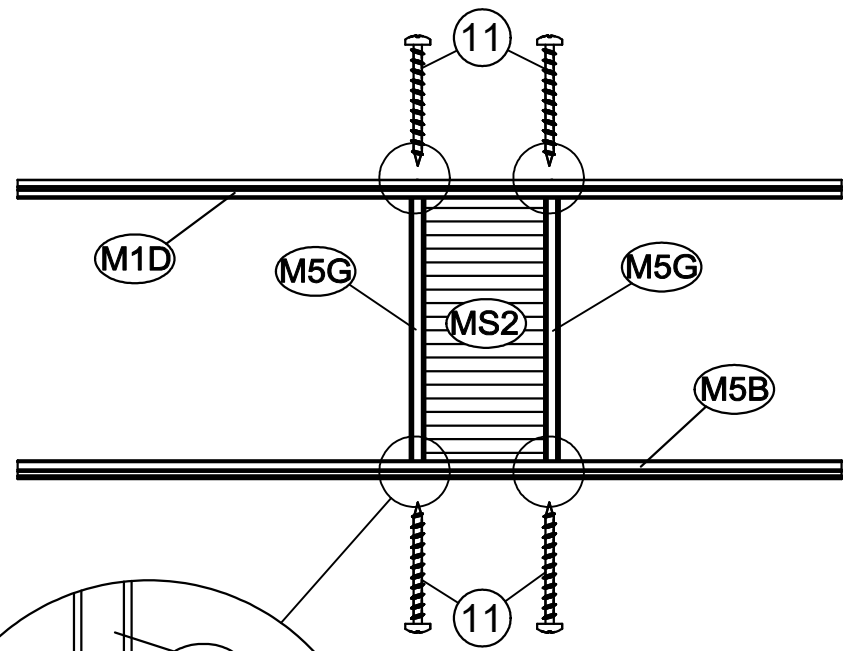
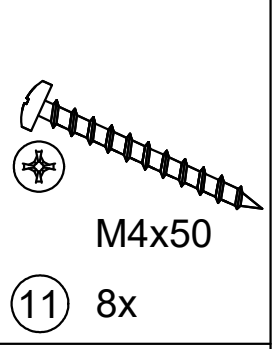
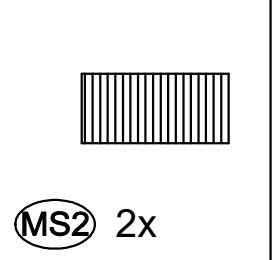
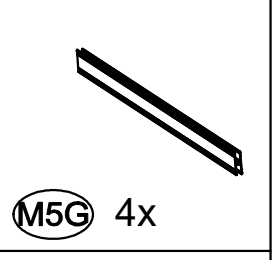
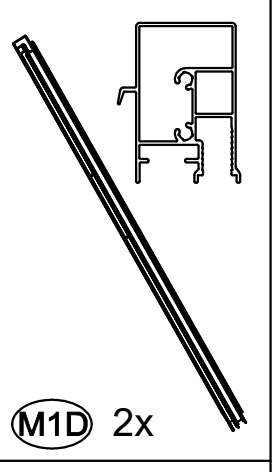
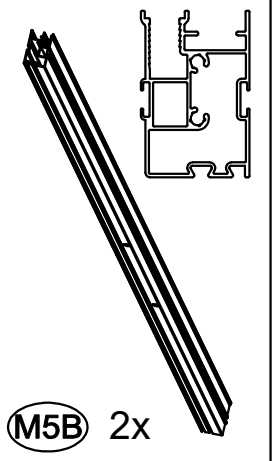


M2A

M5P

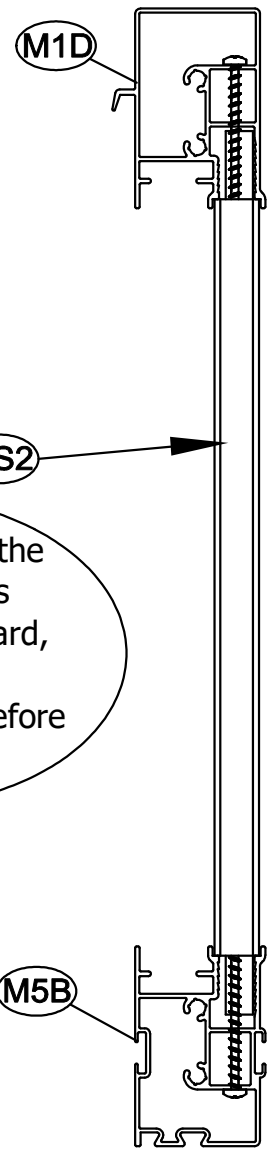
9

<27>



Select the low gear.

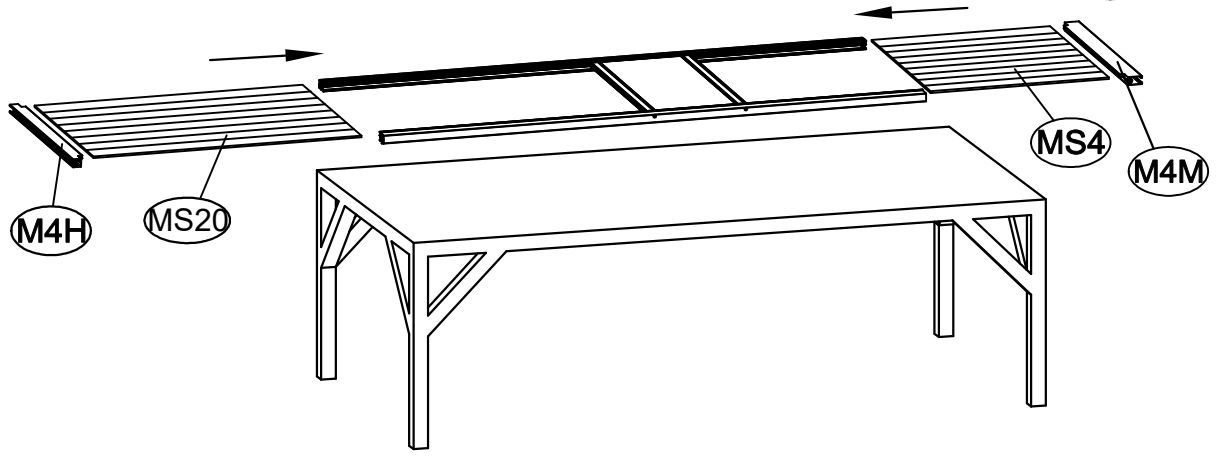
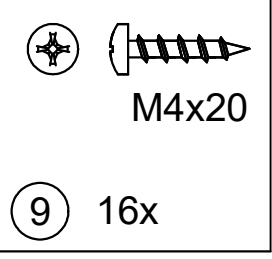
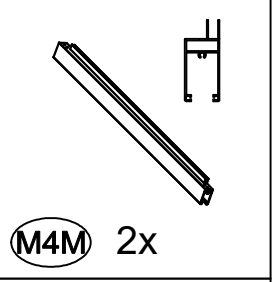
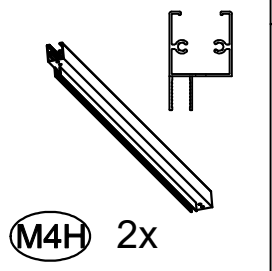
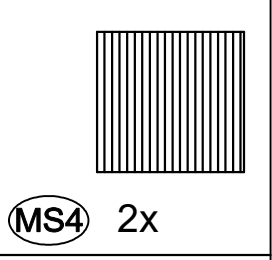
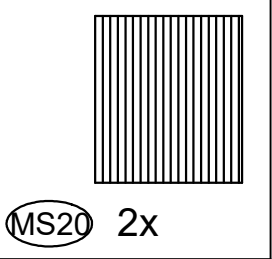
With the side of the PC panel that has text facing outward, remove the protective film before installation.



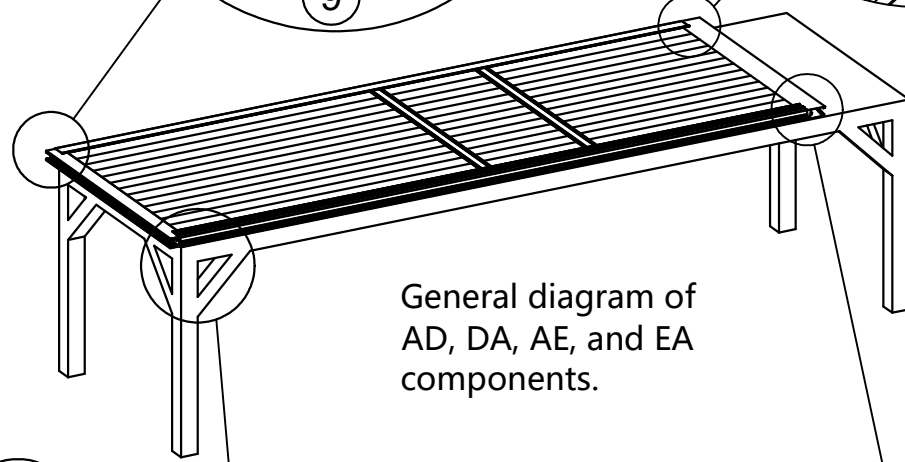
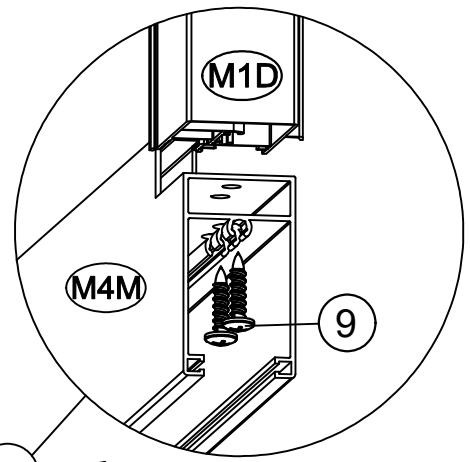
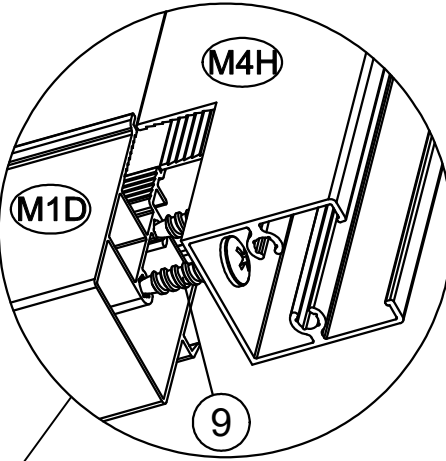
The door frame installation template is provided on pages 36 to 38. All following door frames should be installed according to this template.

<28>

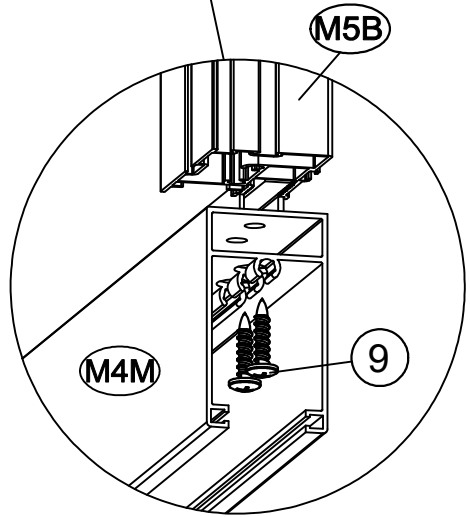
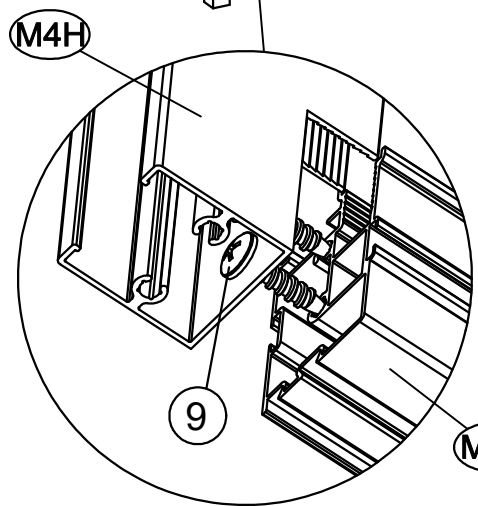
AD 2x



This picture is for reference in the following steps.



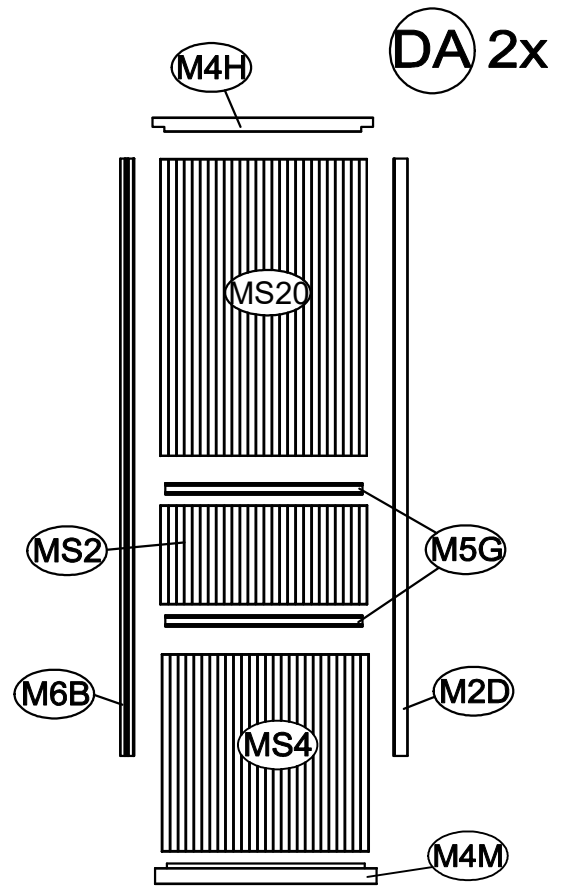
General diagram of AD, DA, AE, and EA components.



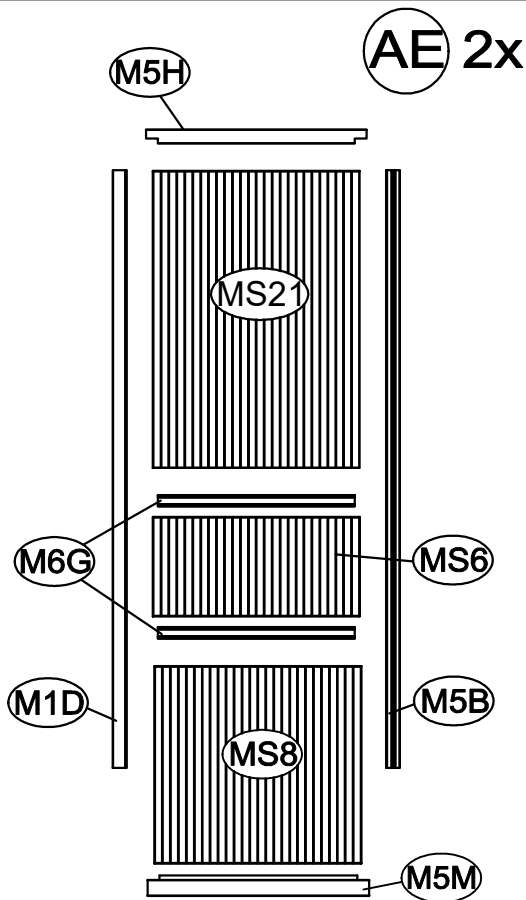
<29>

Door frame DA, EA, and AE installation: see pages 36–38.

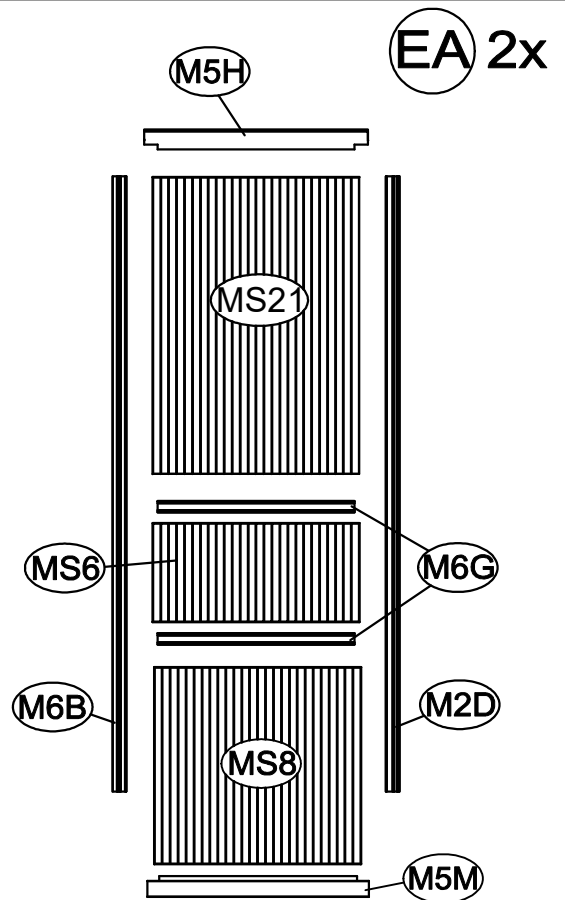
- (M4H) 2x
- (M4M) 2x
- (M5G) 4x
- (MS20) 2x
- (MS2) 2x
- (MS4) 2x
- (M6B) 2x
- (M2D) 2x
- (11) 8x
- (9) 16x



- (M5H) 2x
- (M5M) 2x
- (M6G) 4x
- (MS21) 2x
- (MS8) 2x
- (MS6) 2x
- (M5B) 2x
- (M1D) 2x
- (11) 8x
- (9) 16x



- (M5H) 2x
- (M5M) 2x
- (M6G) 4x
- (MS21) 2x
- (MS8) 2x
- (MS6) 2x
- (M6B) 2x
- (M2D) 2x
- (11) 8x
- (9) 16x



AD and DA are symmetrical components;  
AE and EA are also symmetrical.

<30>

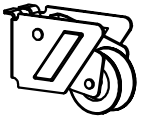
AD 2x



MD5 4x



MD4 4x

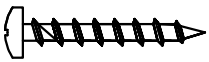


4-1 4x



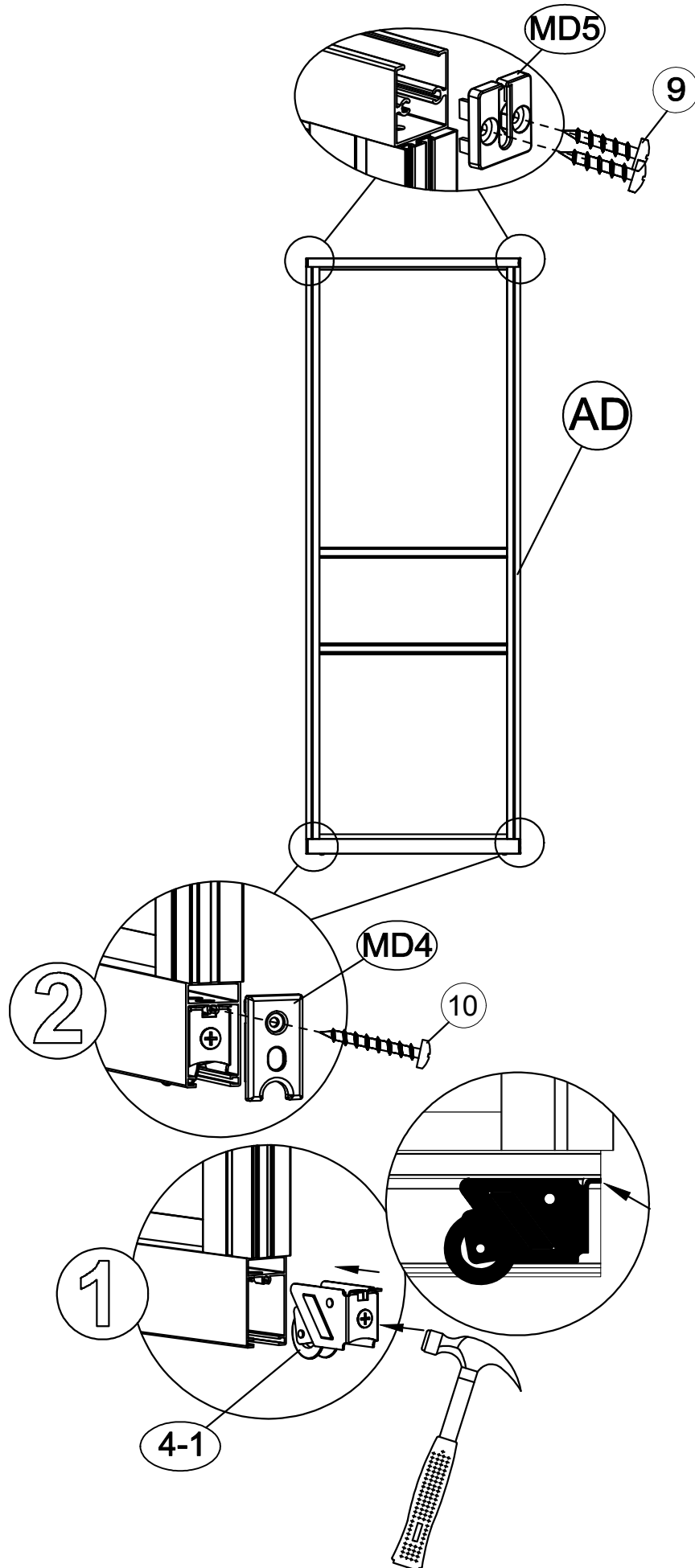
M4x20

9 8x



M4x35

10 4x



40

Tap gently so that the pulley is flush with the profile.

# <31>

Door frame DA, AE, and EA, installation: see pages 39–40.

(MD4) 4x

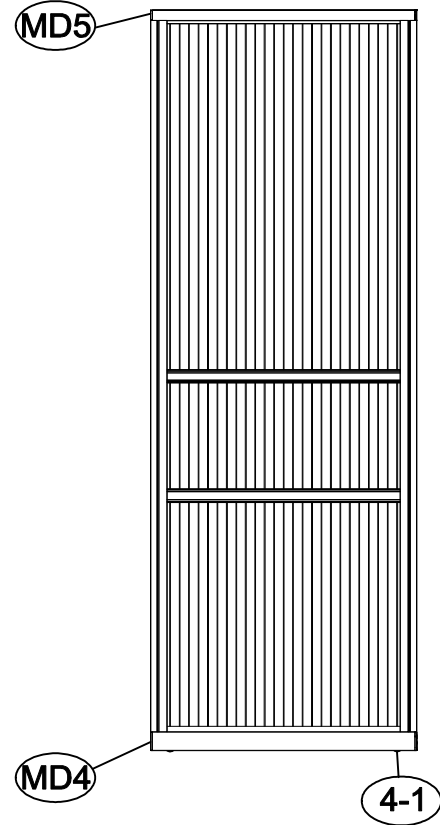
(MD5) 4x

(4-1) 4x

(9) 8x

(10) 4x

(DA) 2x



(MD4) 4x

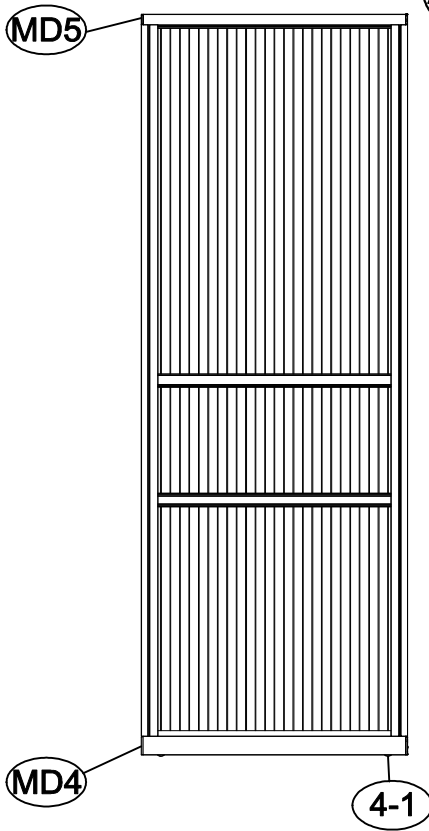
(MD5) 4x

(4-1) 4x

(9) 8x

(10) 4x

(AE) 2x



(MD4) 4x

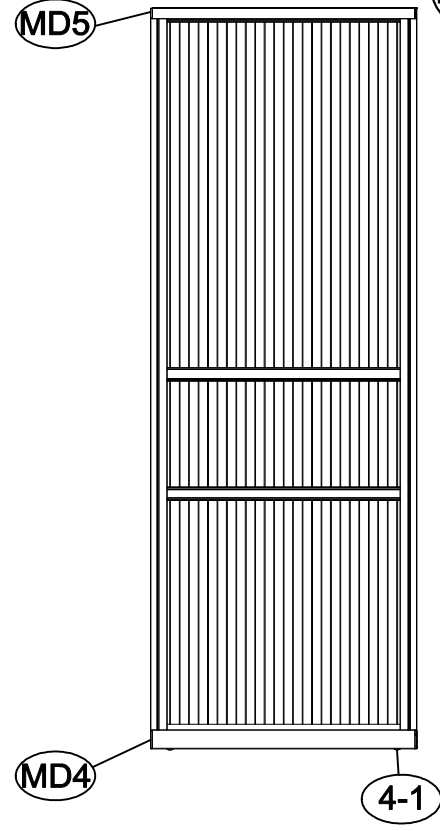
(MD5) 4x

(4-1) 4x

(9) 8x

(10) 4x

(EA) 2x

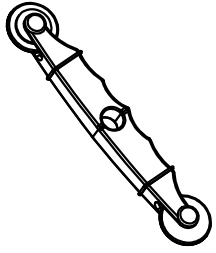




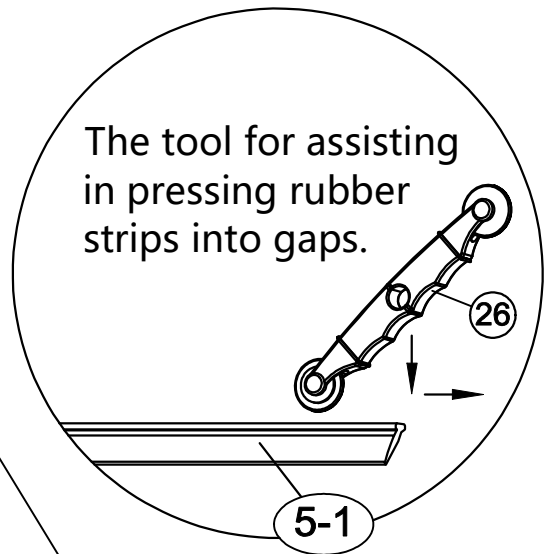
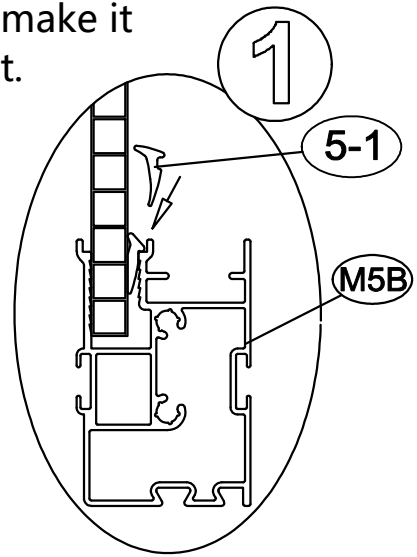
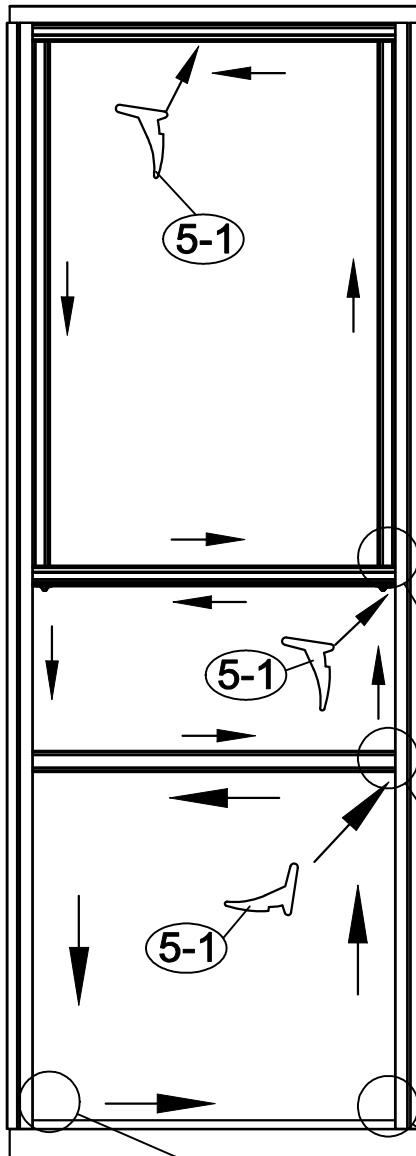
<32>

Before installation, wet the rubber strips "5-1" with water to make it easier to stick into the slot.

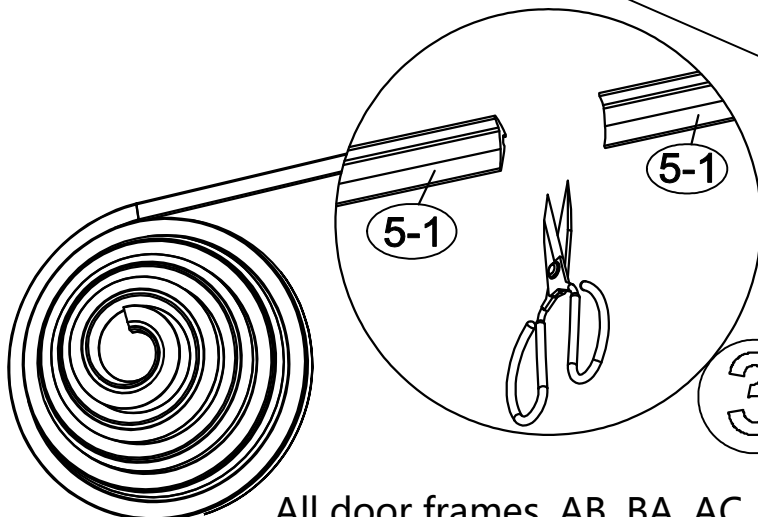
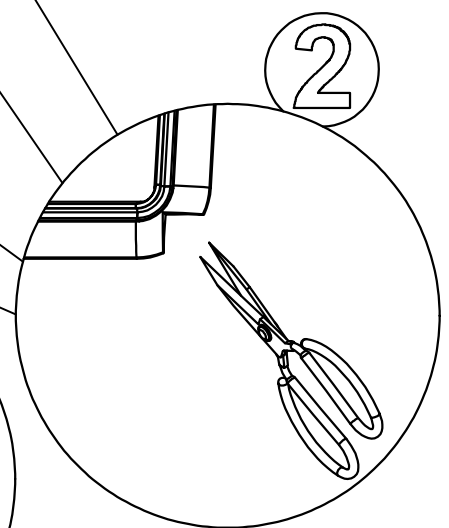
5-1 2x



26 1x



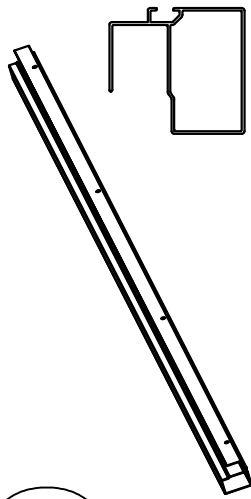
The tool for assisting in pressing rubber strips into gaps.



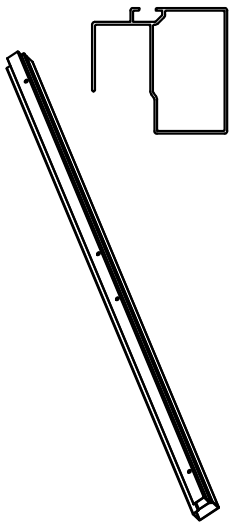
42

All door frames, AB, BA, AC, CA, AD, DA, AE, EA, AF,AG, follow this method.

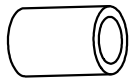
<33>



M4V 2x

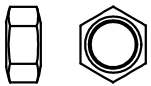


M5V 2x



6.2\*11\*15

3-1 16x



M6

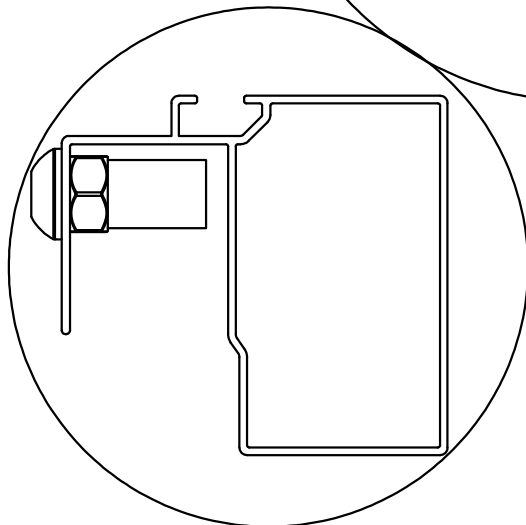
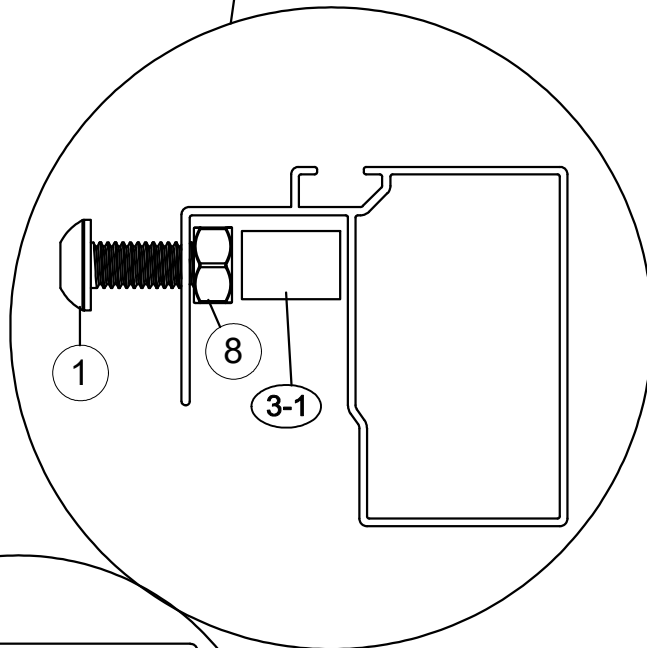
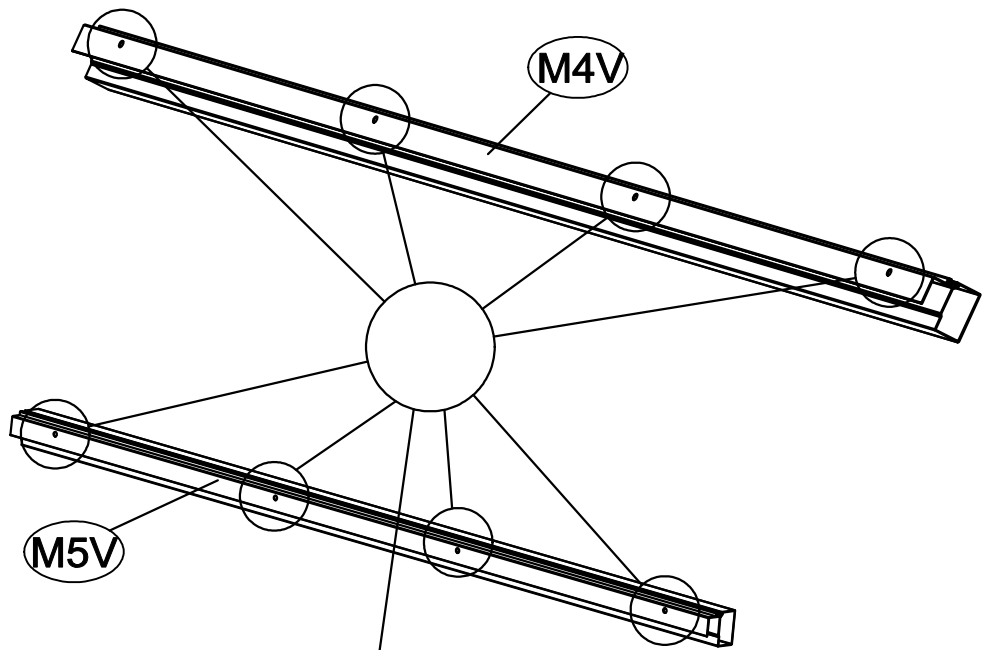
8 16x



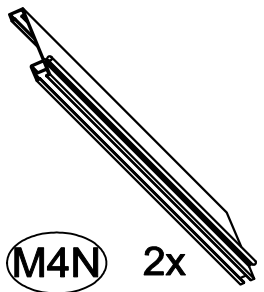
M6x15

1 16x

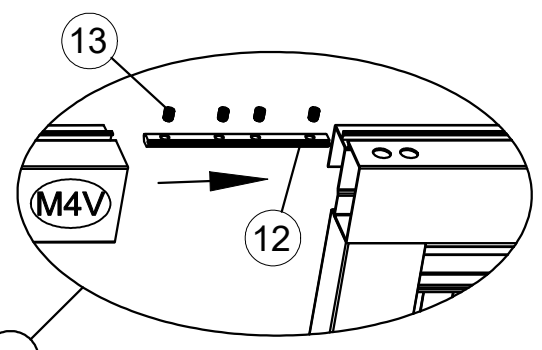
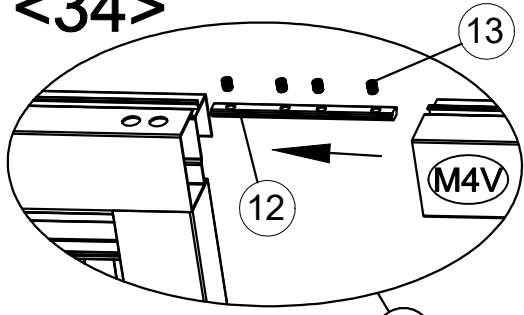
43



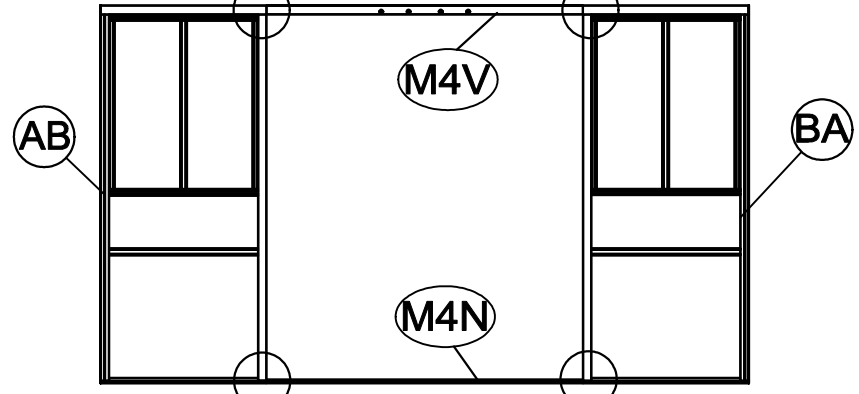
<34>



M4N 2x



M4V 12x

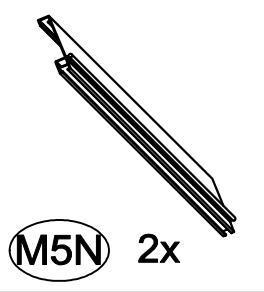
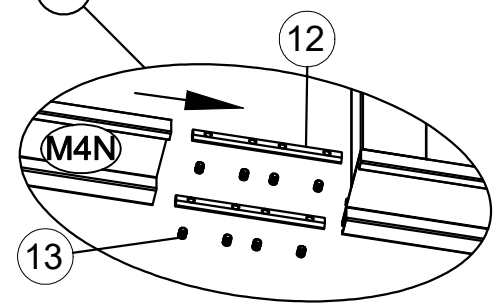
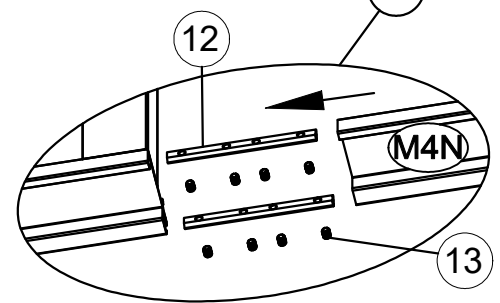


x2

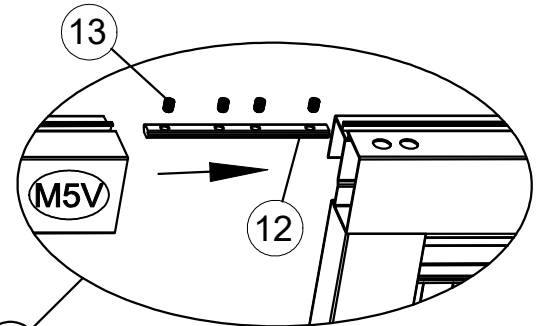
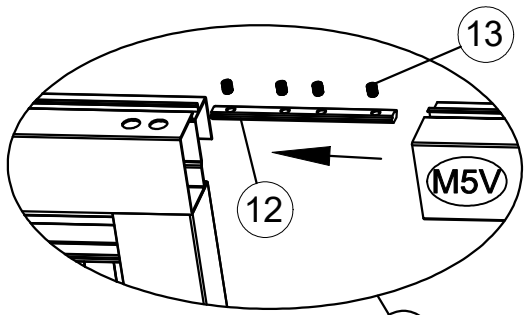


M5\*6

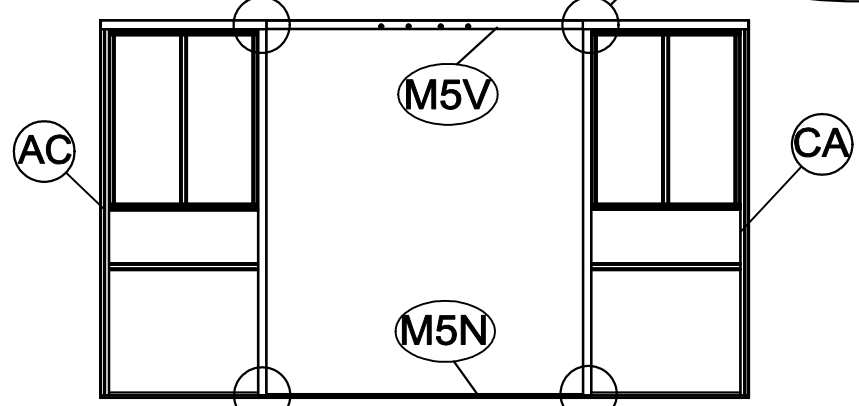
M5\*6 48x



M5N 2x



M5V 12x

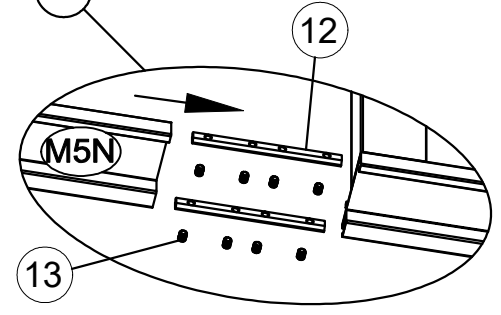
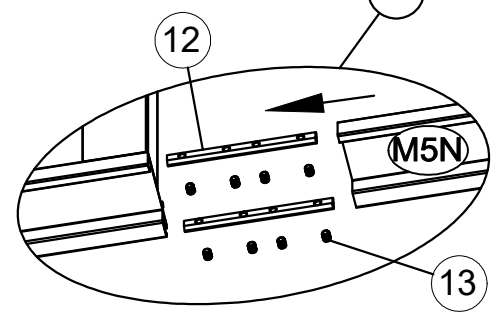


x2

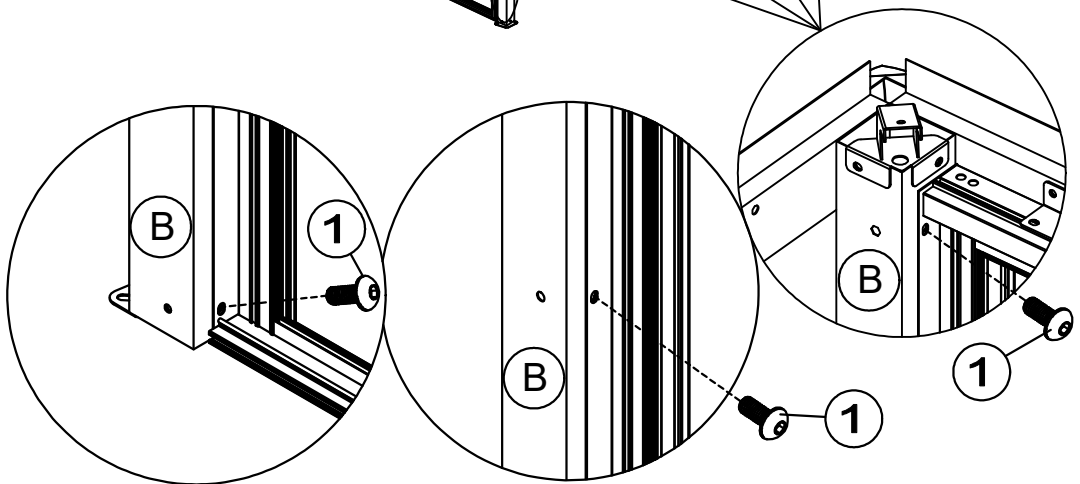
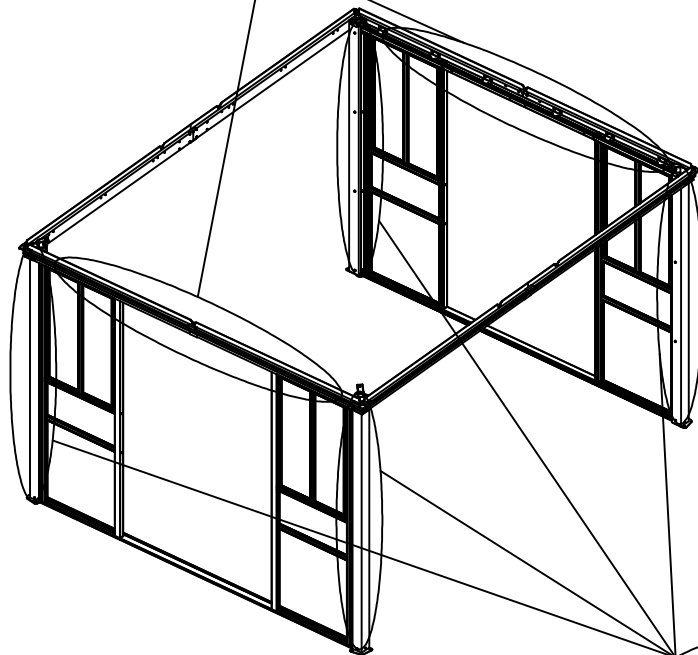
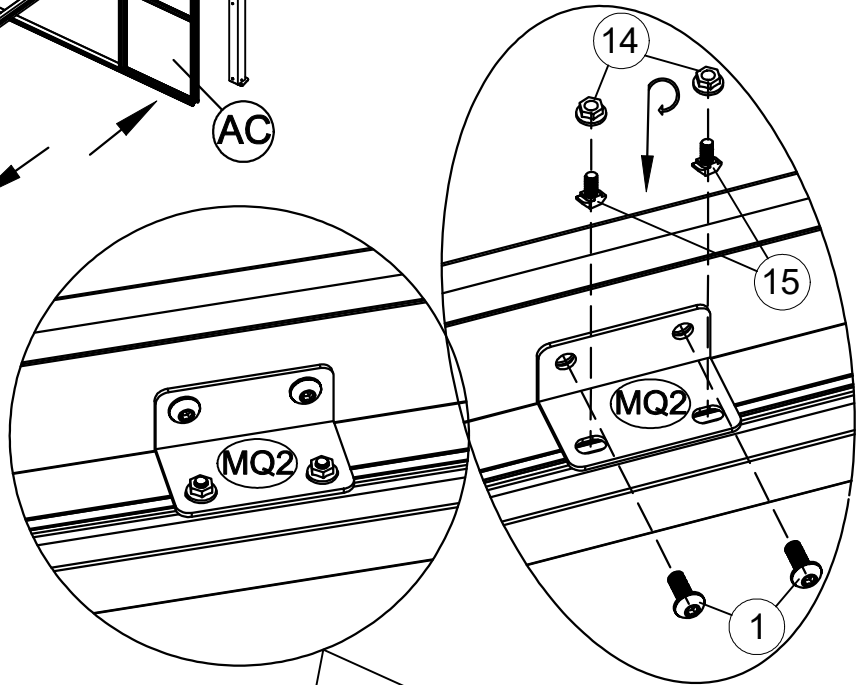
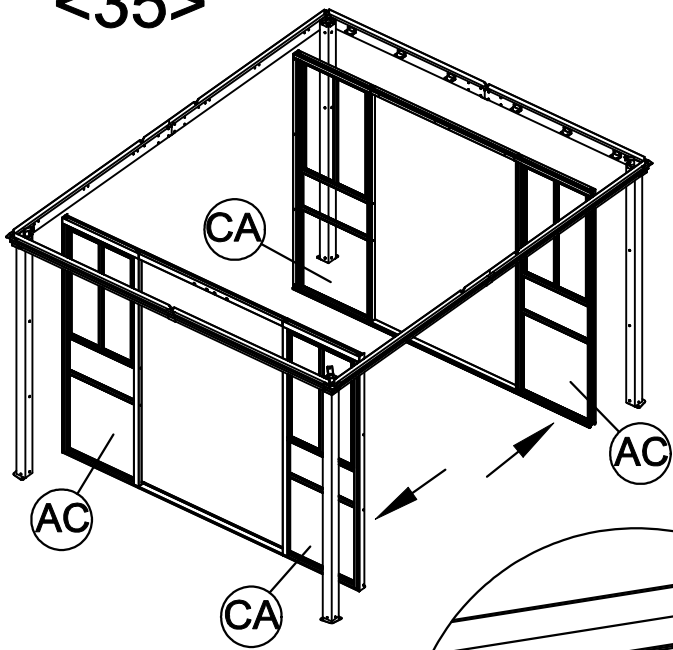


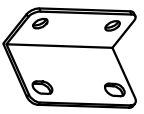
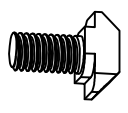


M5\*6

M5\*6 48x

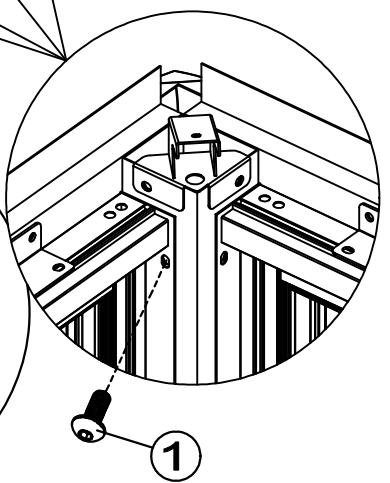
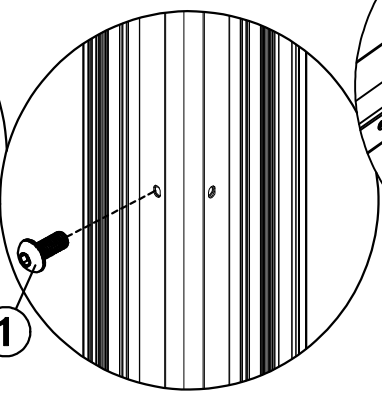
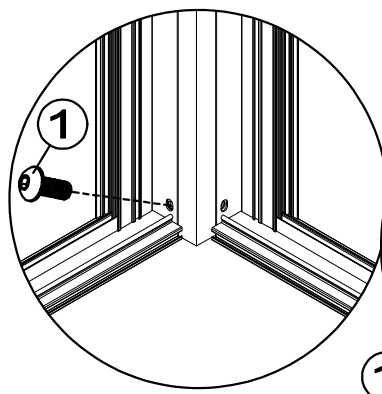
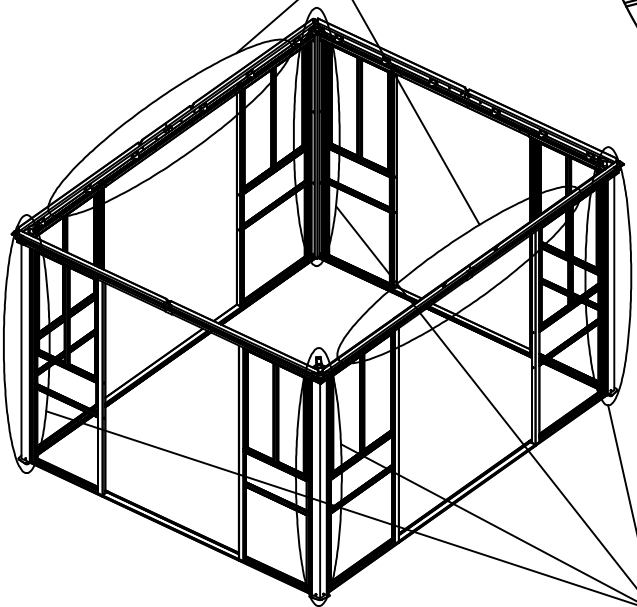
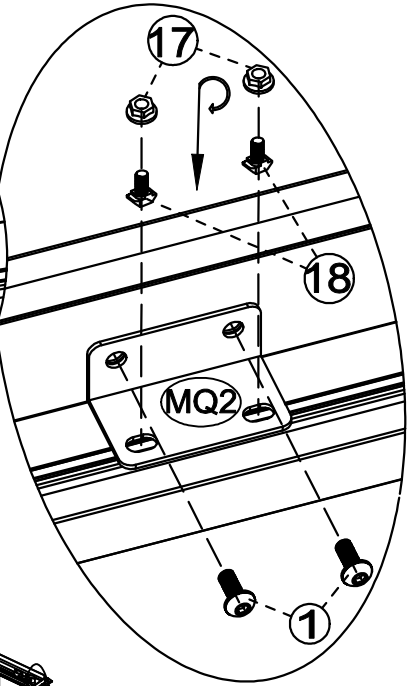
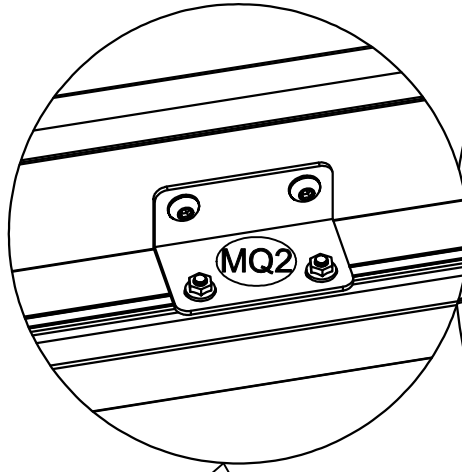
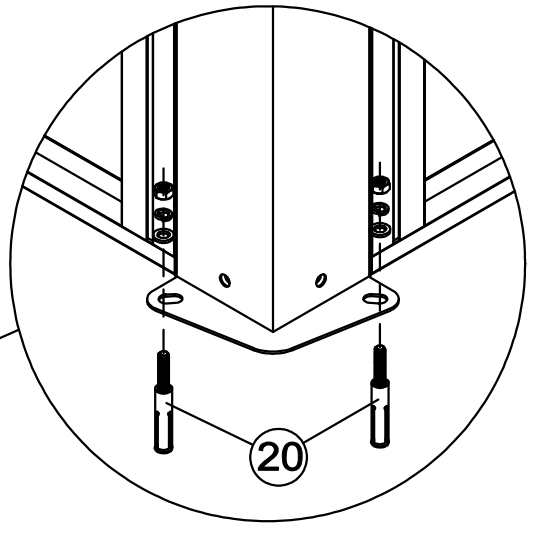
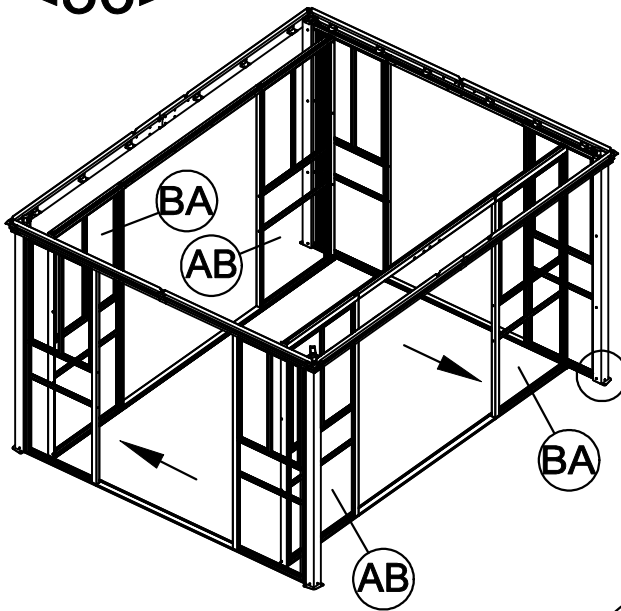


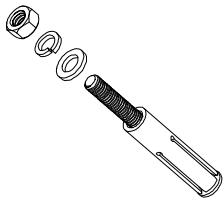
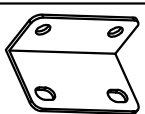
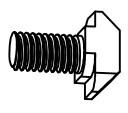


<35>



-   
**MQ2 12x**
-   
M5x12  
**15 24x**
-   
M5  
**14 24x**
-   
M6x15  
**1 40x**
- 45**

<36>



-  20 8x
-  MQ2 12x
-  M5x12  
15 24x
-  M5  
14 24x
-  M6x15  
1 40x
- 46**

<37>

DA 2x

EA 2x

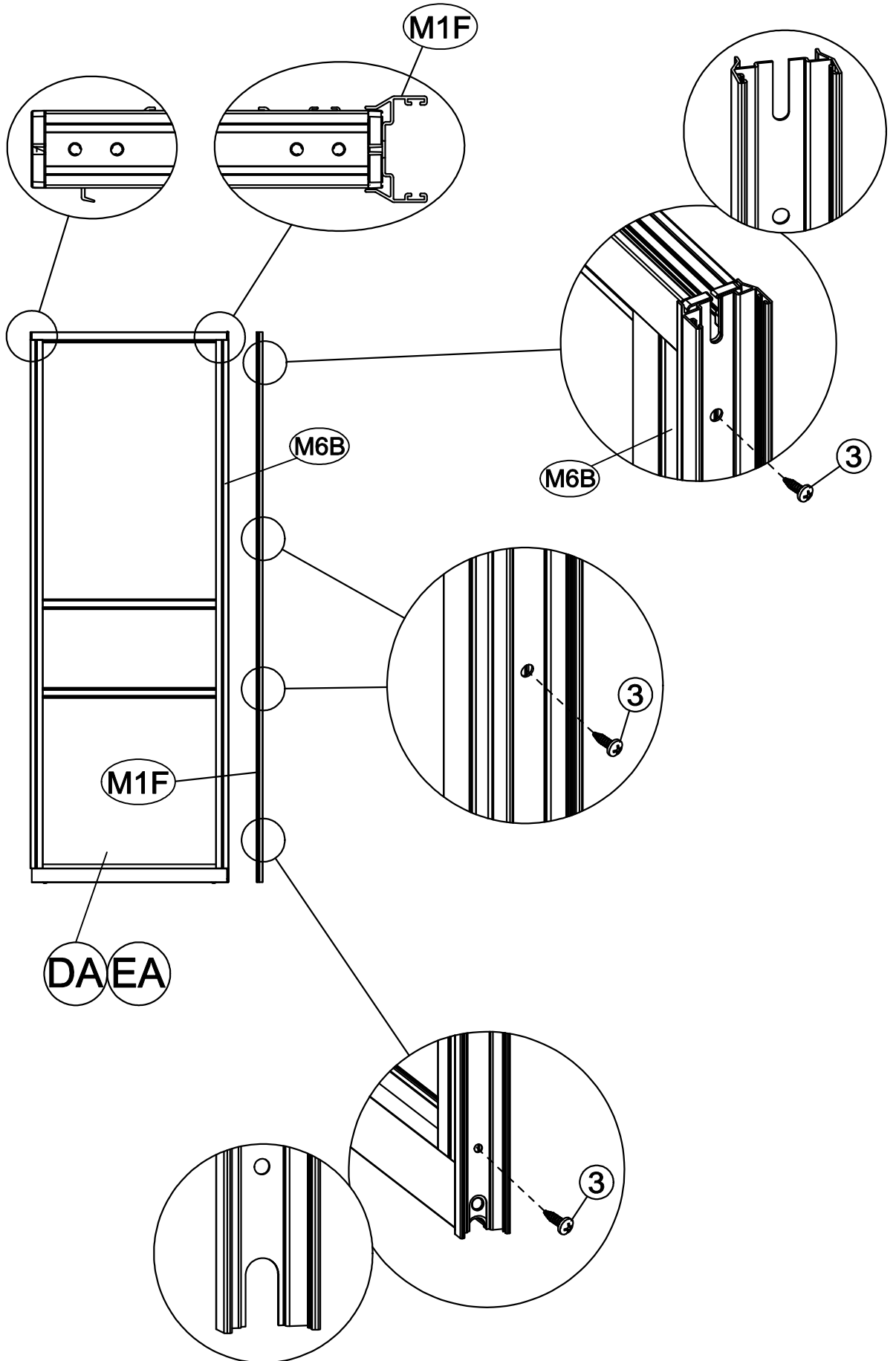
Pay attention to the installation direction of the left and right sides of the door.

M1F 4x



ST4.8x12

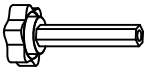
3 16x



<38>

DA 2x

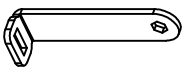
EA 2x



U1 4x



U2 4x

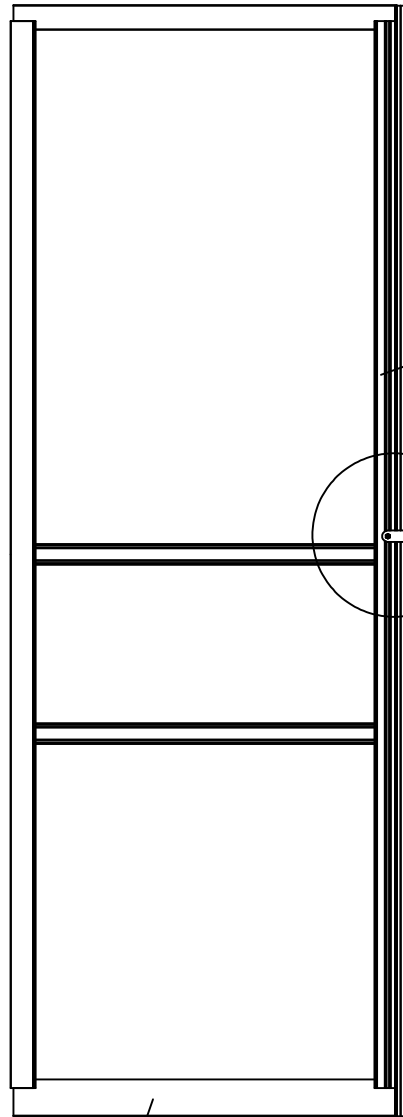


U3 4x

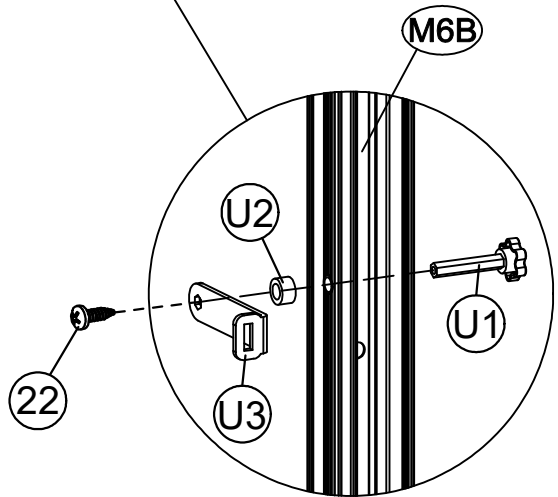


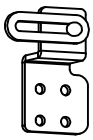
M4x12

22 4x



DAEA





<39>

AD 2x

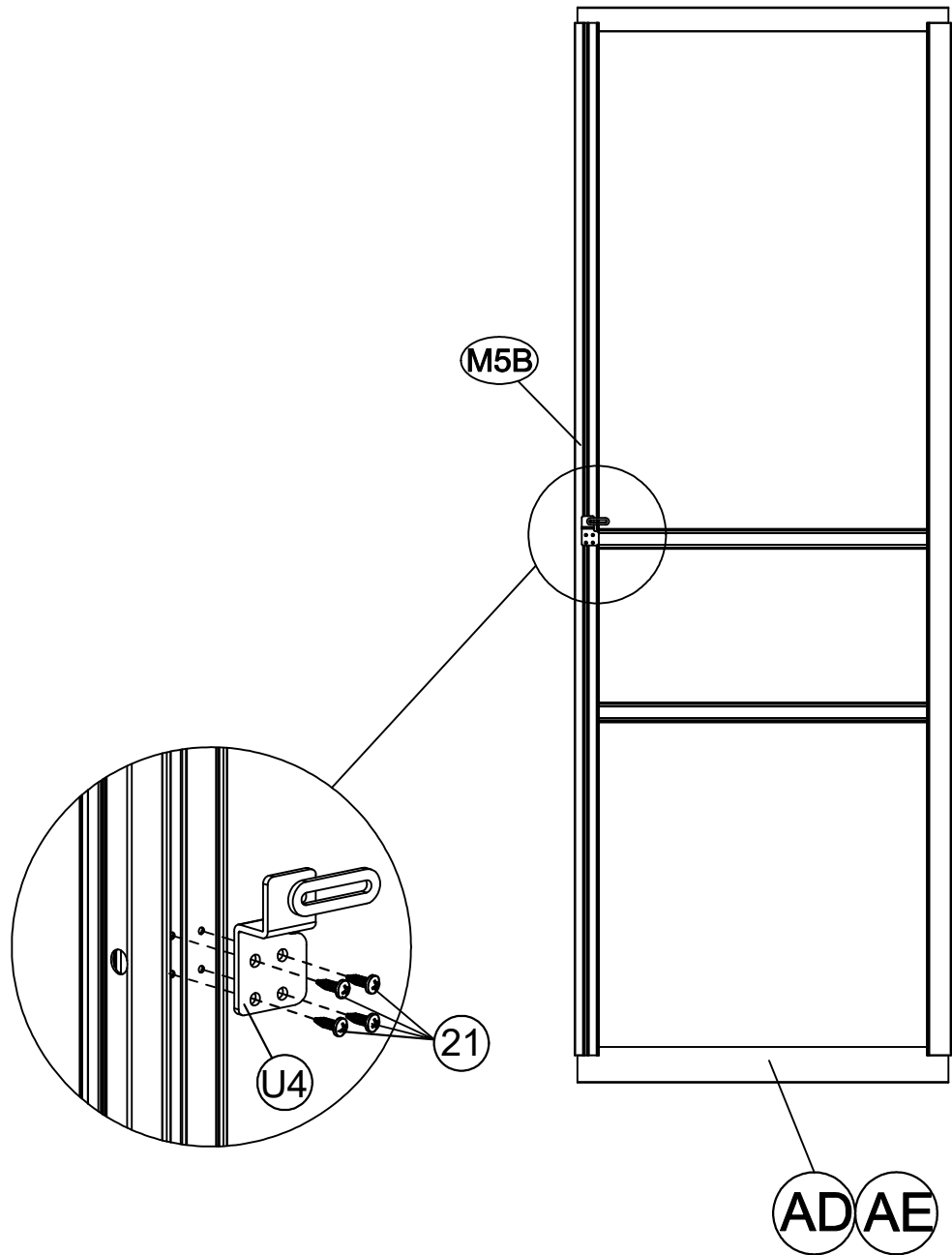
AE 2x

U4 4x

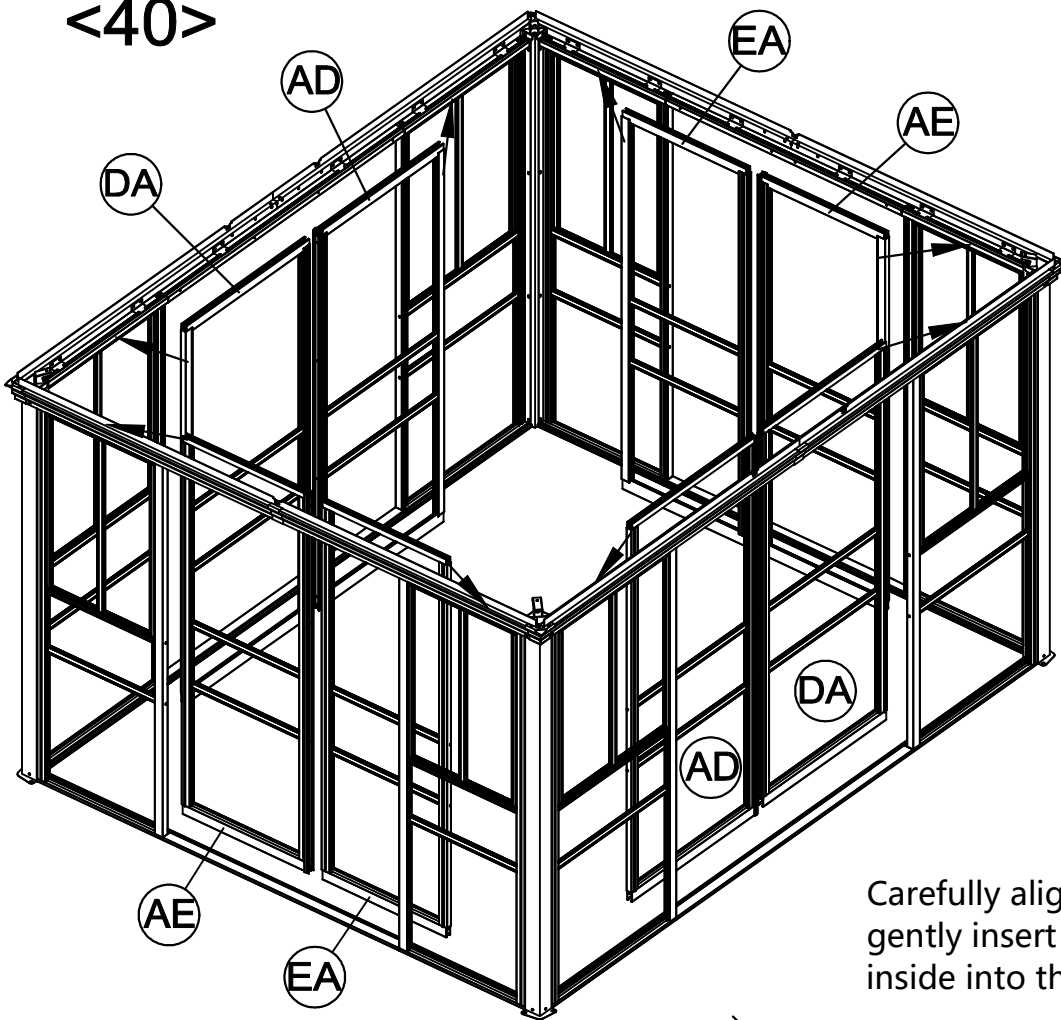


M5x15

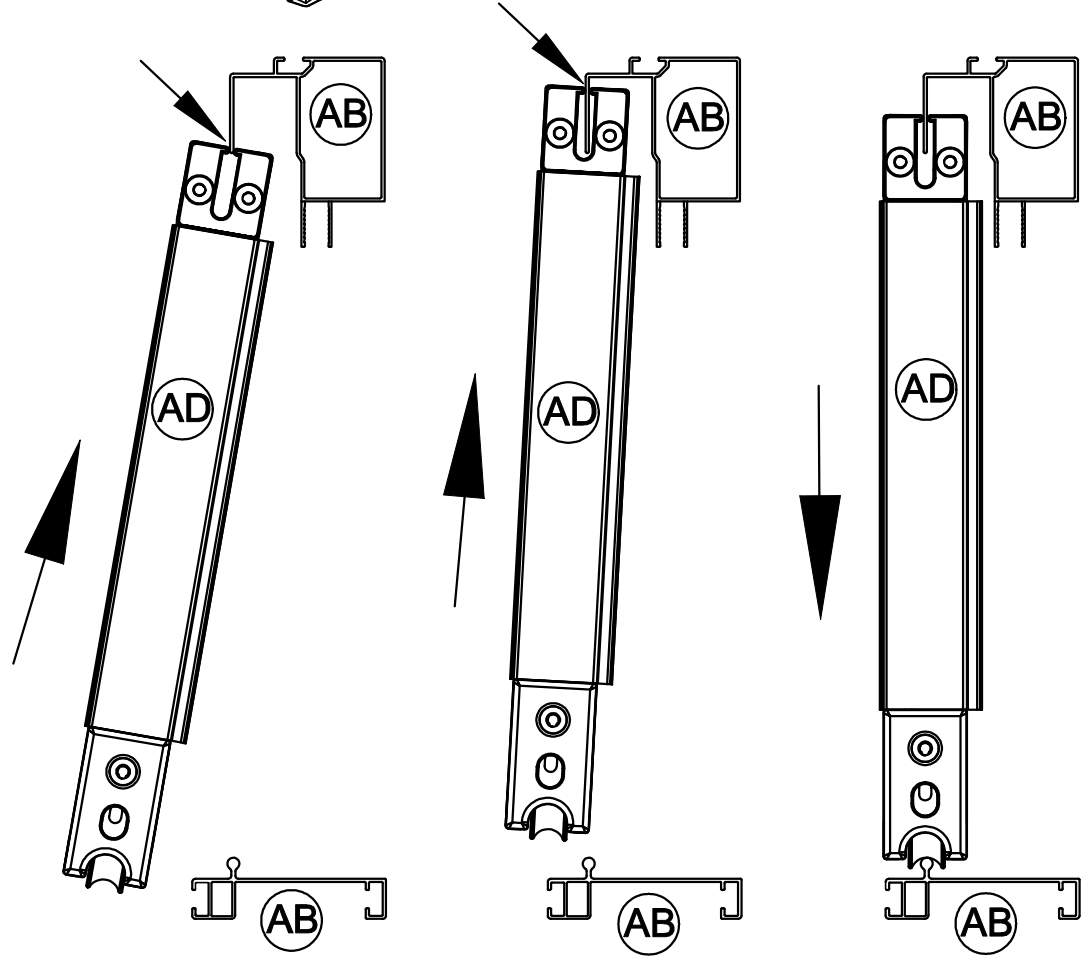
21 16x



<40>

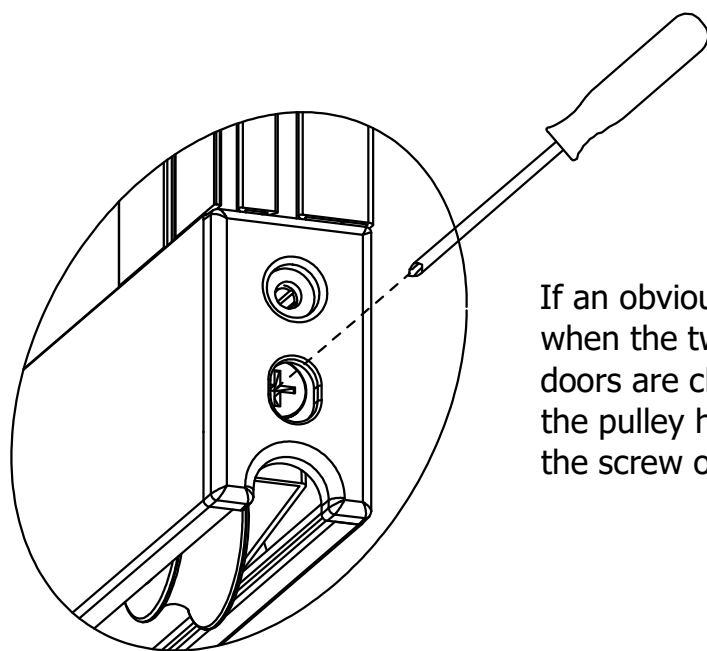
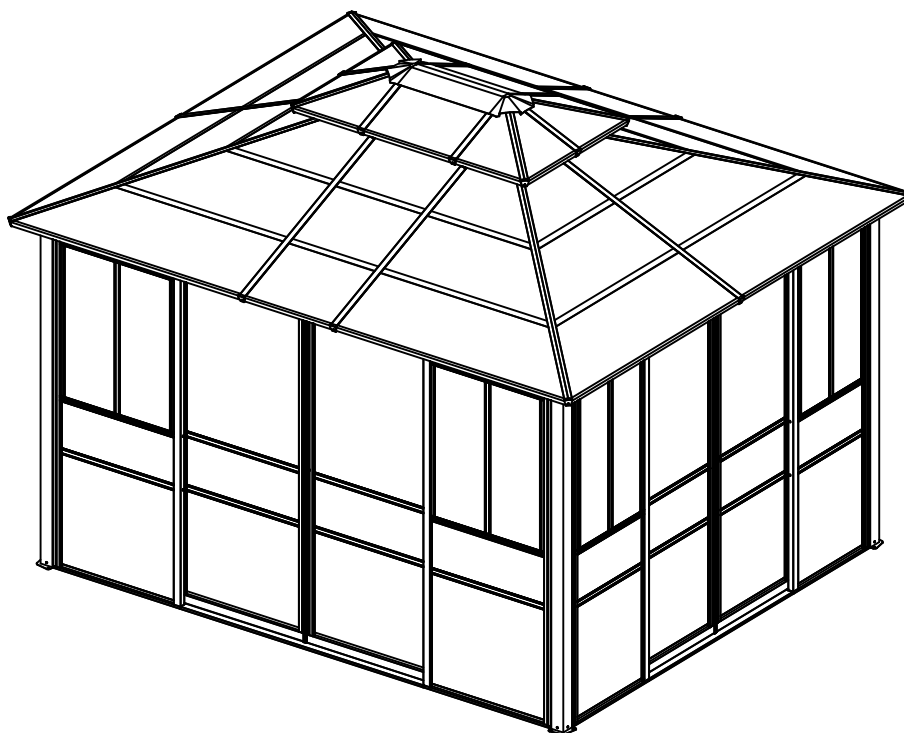


Carefully align the door and gently insert it from the inside into the upper slot.



Repeat the previous steps for other components.

<41>



If an obvious gap is found when the two sliding doors are closed, adjust the pulley height using the screw on the pulley.

<42>

