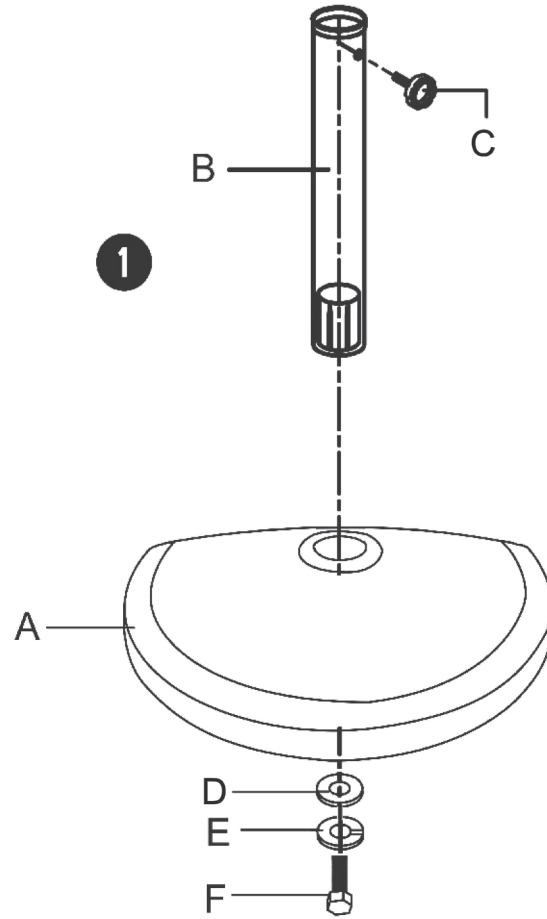


## Customer Service



If you have a question about assembly use or a possible missing part,  
please contact us and we will be glad to assist you.

