

WALL FOUNTAIN
Care and Instruction Manual



ASSEMBLY INSTRUCTIONS

Thank you for purchasing a water feature product, you are now only minutes away from filling your home or outdoor living space with peaceful displays. Our guarantee backs all of our water features, please do not hesitate to contact our Customer Support Team for resolutions to any parts or installation concerns.

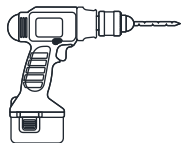


ASSEMBLY INSTRUCTIONS

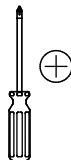
Please reference the separate parts list and ensure that all pieces are included in the package prior to assembly.

SUGGESTED TOOLS

NOT SUPPLIED



DRILL



PHILLIPS
SCREWDRIVER



LADDER



PENCIL



SAFETY GOGGLES



LEVEL



More than one person may be required to complete the assembly of this product.



To protect the finish, place all parts on a soft surface when unpacking.



When assembling ensure that all parts are firmly tightened.

Choose a location:

This water feature is designed to be wall mounted.

This water feature is designed for outdoor use. It can be used indoors however splashing may occur.

Also consider the location of your power source. The pump and light cord reach 8' from the bottom of the fountain body to the plugs, and should be connected to a grounded 110V outlet.

For best results the water feature should be hung on a flat surface.

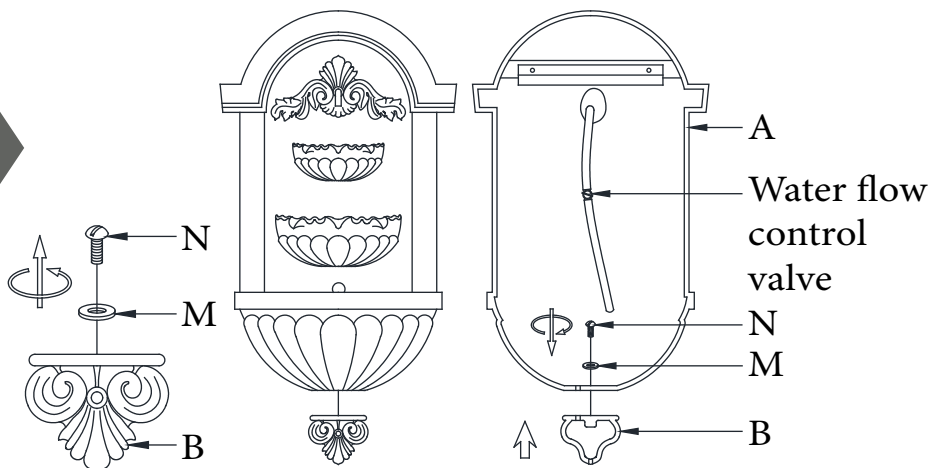
1

51011PLBZ ASSEMBLY INSTRUCTIONS

Unscrew parts N and M from bottom (B).

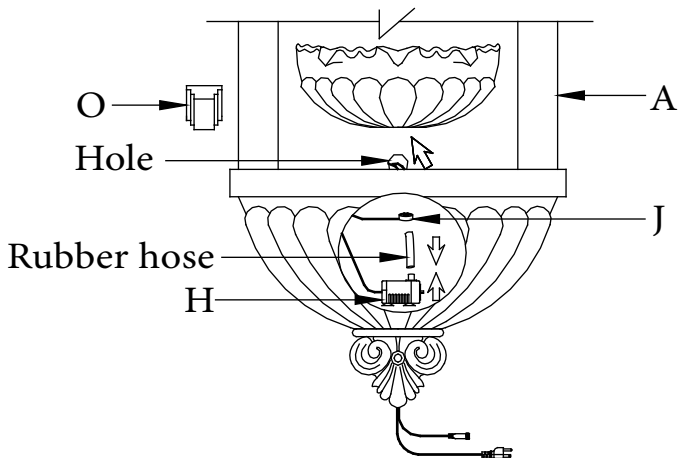
Use N and M to secure bottom (B) to fountain body (A) from the back.

2



Place pump (H) into basin and attach to rubber hose. Place light (J) onto post in basin. Feed pump cord and light cord through the hole in back of basin. Cover the hole and cords with cover (O).

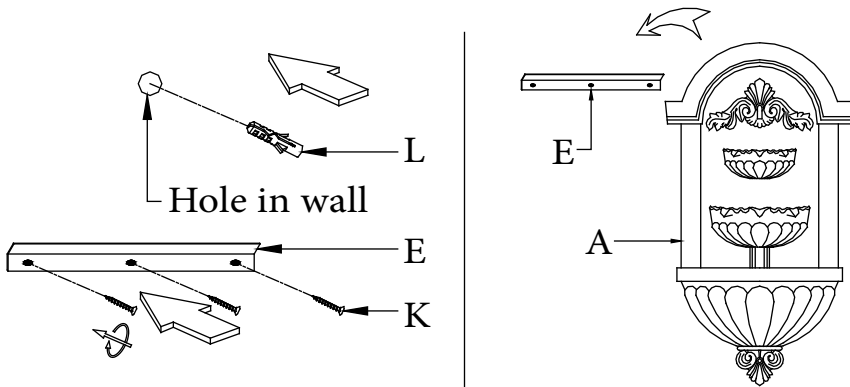
3



ASSEMBLY INSTRUCTIONS

Place mounting bracket (E) on wall in desired location. Ensure it is level and mark holes. Drill 6 mm (1/4") pilot holes on the marked spots and insert (3) anchors (L).
(If fastening to studs, skip this step.)

Secure mounting bracket (E) to wall with (3) supplied screws (K) and hang fountain (A).

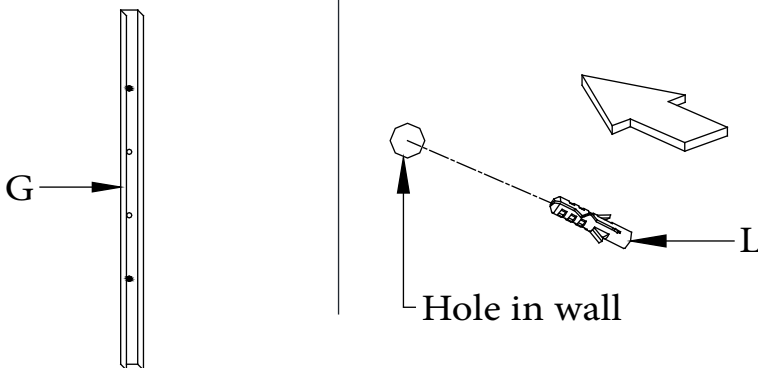


4

Optional, if not using cord covers skip to step 6.

Place the cord channel (G) on the wall and mark the holes.

Drill 6 mm (1/4") pilot holes on the marked spots and insert (2) anchors (L). *(If fastening to studs, skip this step.)*

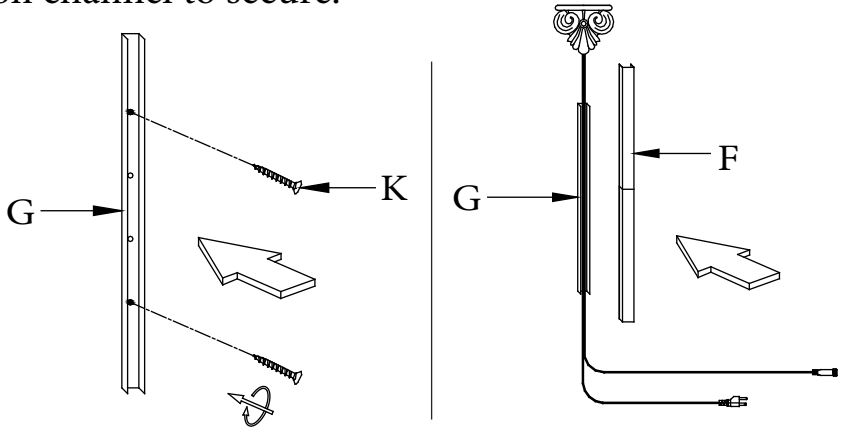


5

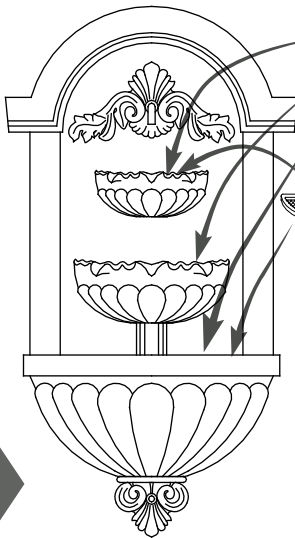
51011PLBZ ASSEMBLY INSTRUCTIONS

Attach the cord channel (G) to the wall with (2) supplied screws (K). Place cords inside the cord channel (G) and press the (2) cord covers (F) firmly on channel to secure.

6



FINAL STEPS



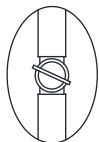
Fill the reservoir with 1.4 gallons distilled water, between the fill lines.

Place the splash guards (C) and (D) into the fountain body.

Connect the light connectors (I) and (J) and screw the cap tightly.

Plug light transformer (I) and pump (H) into outlets and turn light on at switch.

7



You can adjust the water flow control valve on the back of fountain body (A) to control the speed of the water flow.

Note: Light does not have to be on to operate pump.

ASSEMBLY INSTRUCTIONS

PUMP SAFETY & TROUBLESHOOTING cont.

If abnormal noise is heard during operation (with water):

- Disconnect the power supply and then remove the pump front cover and impeller cover.
- Use hand to grip the impeller, gently pull the impeller/rotor assembly out of the pump housing.
- Rinse the impeller/rotor assembly and the cavity with clean water. If breakage or surface damage is found in the assembly contact Customer Service for a part replacement.

WATER FEATURE WARNINGS & TROUBLESHOOTING

- Splashing may occur when the fountain is first turned on, protect surrounding surfaces as needed. Do not place the water feature on or near any surface that can be damaged by water.
- Distilled water is recommended to reduce mineral deposits, bacteria build up and algae that may damage the water feature basin and pump.
- To reduce the risk of electrical shock, always disconnect the power supply before working with the water feature.
- Keep small children and pets away from the water feature; they can fall into the water feature and drown.
- Once a week inspect water feature, floor and adjacent wall for moisture build-up and clean as necessary. This is especially important for humid environments.
- *This water feature is designed for indoor and outdoor use.*



More information about water features can be found at [youtube.com/kenroyhomefountains](https://www.youtube.com/kenroyhomefountains).

ASSEMBLY INSTRUCTIONS

FREQUENTLY ASKED QUESTIONS

What should I consider when selecting a water feature?

In addition to your personal style tastes, be sure you have an area for your water feature that can be safely exposed to water, as splashing can occur. Also take into consideration what a water feature can add to your environment: the sound of flowing water or decorative lights.

Can my water feature be left outside over winter?

This water feature is rated for outdoor use; however certain weather conditions may adversely affect your water feature. If the temperature in your region is at risk of dropping below 33° F, your water feature should be “winterized” before the cold weather arrives. To winterize:

1. Fully drain your water feature of all water.
2. Disconnect the hoses, pumps, and lights.
3. Clean all components thoroughly, paying special attention to the pump to prevent residue build-up.
4. Allow all parts to dry.
5. Store parts and water feature in a safe, weather-free environment.

What kind of water should I use in my water feature?

The best water for your water feature is distilled water. This can help prevent and reduce bacteria and algae buildup. If you do not use distilled water, more maintenance will be necessary to keep the water feature clean.

How do I clean my water feature?

Oils, dirt, and algae can all build up on the water feature over time. The best way to restore your water feature to its original state is to empty all the water from the water feature and use a mild soap (like dish detergent) and an acrylic brush to clean all the parts.

ASSEMBLY INSTRUCTIONS

FREQUENTLY ASKED QUESTIONS CONTINUED

The water is not flowing evenly over my water feature's surface. How do I correct this?

Oil and dirt from your hands or the environment may interrupt proper water flow. Use the water guiding pad (if included with your model) or a mildly abrasive scrub pad and mild soap to clean the surface of the water feature.

How much water do I need to keep in the water feature?

Where possible in our water features, we have included fill lines to help you visualize the water level required for proper function. If your water feature does not include fill lines, please check the instruction manual for water capacity. The most important aspect to keeping your water feature functioning is to insure the pump is submerged in water at all times to prevent damage to the pump.

How often will I need to fill my water feature?

Over time, the water level in your water feature will recede. This is due to evaporation, and the speed at which your water feature will need to be filled depends greatly on your environment- the humidity, if your water feature is in the sun, how often you run the water feature, etc. We recommend checking the water level before running the water feature to insure the pump is submerged in water.

I cannot find my installation instructions. Where can I find another copy? Installation and assembly instructions can be found online at www.kenroyhome.com

Can lights be turned off separately from the water feature?

Water features that include lights will have a separate plug and switch for the lights. They do not have to be plugged in or turned on to run the water feature.

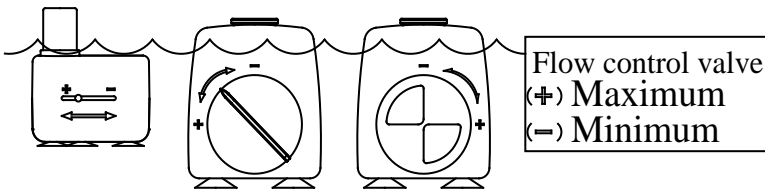
ASSEMBLY INSTRUCTIONS

FREQUENTLY ASKED QUESTIONS CONTINUED

My pump is making a loud noise. How do I fix that?

1. Be sure the pump is fully submerged in water. If it is not, and pulling in air, it will make unwanted noise.
2. Check to make sure the pump is not touching the water feature anywhere other than the bottom. If it is up against the side wall or another part, the vibration from the pump can cause unwanted noise. If moving the pump away from other parts does not work, try placing a sponge or other soft material between these areas to pad the pump.

How do I change my pump speed? Depending on the type of pump, you will need to either move the slider or turn the knob.



How do I clean my pump?

1. Disconnect the power supply and then remove pump cover/filter.
2. Gently pull impeller/rotor assembly out of the pump housing
3. Rinse the impeller/rotor assembly and the cavity with clean water.
4. If your pump comes with a sponge filter rinse this with clean water.
Algae buildup can be flushed out with a garden hose.

How do I level the water feature?

For the water to flow properly, it is critical the water feature is level. If your water feature will be placed in an area with uneven ground, use a level and leveling shims to help level the water feature. Shims are wedge-shaped plastic parts that can be placed between the water feature and the ground to create a level surface.

My tube is too long. What can be done to fix this?

The hose can be cut with a sharp blade or pair of scissors to the desired length.