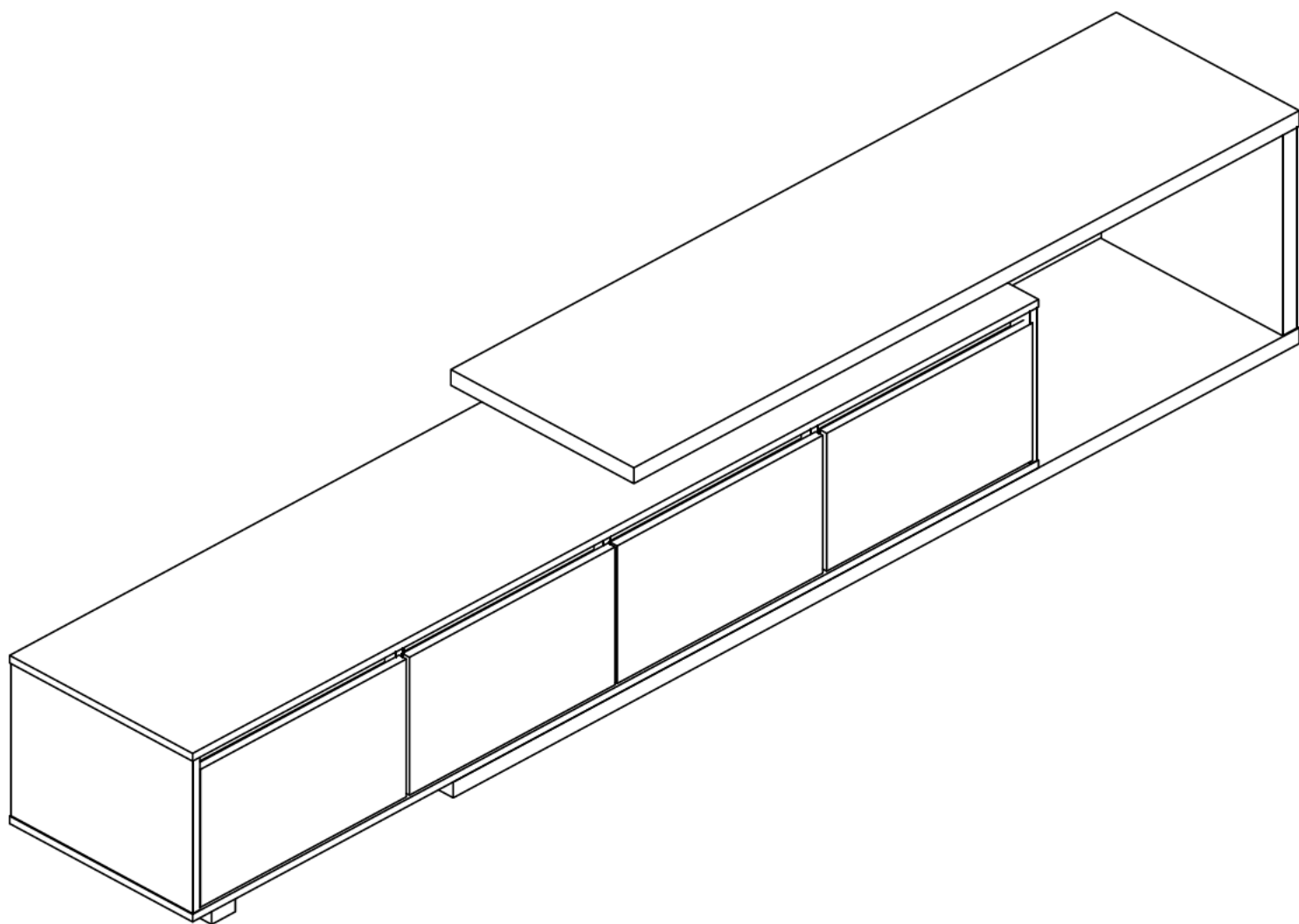


# TV Table

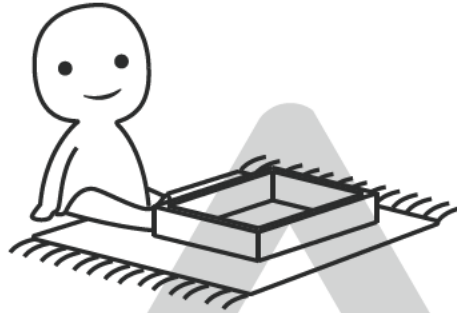
Using an electric drill can speed up installation,  
but it requires reducing the torque of the drill .





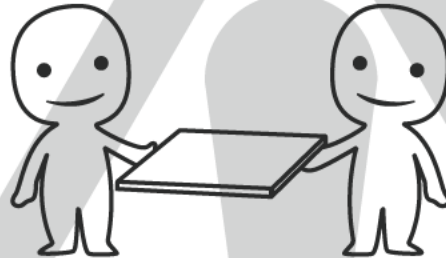
### **IMPORTANT INFORMATION!**

please read the entire manual before starting to assemble and/or using this product. follow the manual thoroughly and keep it for further reference.



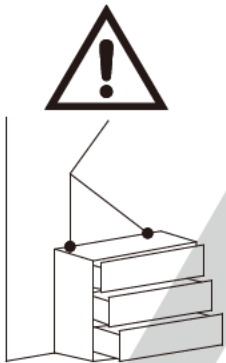
### **AVOID SCRATCHES!**

In order to avoid scratching this furniture should be assembled on a soft layer—could be a rug.



### **IMPROVE EFFICIENCY !**

Try to find a partner to install with you, which can speed up the installation efficiency and shorten the time.



### **ANTI-TOPPLE WARNING !**

Overtipped furniture can cause serious or fatal crush injuries. To prevent tipping over, be sure to use the wall attachment, if not included with this product. Please purchase the wall attachment that fit your wall. If unsure, seek professional advice. Please read and follow each step of the instructions carefully.

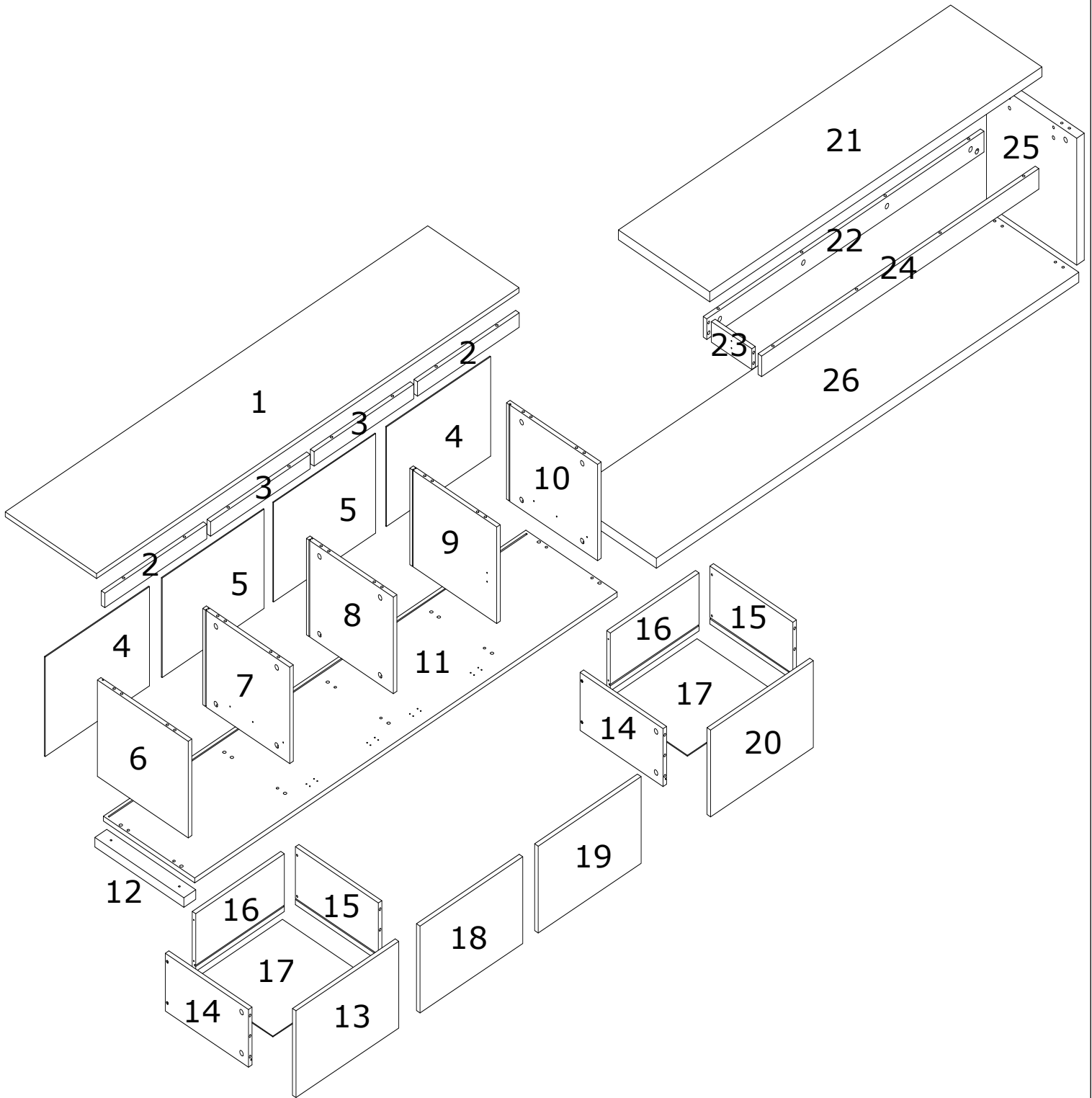
### **IMPORTANT !**

It is important that any product which is assembled using any kind of screw is re-tightened 2 weeks after assembly, and once every 3 months - in order to assure stability through-out the lifespan of the product.

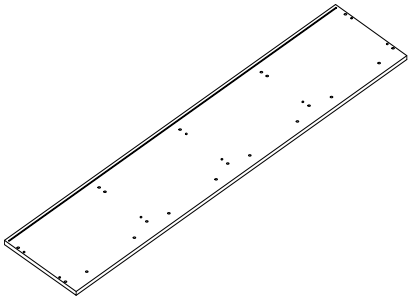
For regular maintenance and cleaning of the product, for the frame, please use a rag dipped in neutral detergent to fully wipe it, and then dry it with a clean rag. For glass materials, wipe with a rag dampened with water glass cleaner, and then dry with a dry rag.

Do not use an electric screwdriver, and do not use too much force when installing, because the board is easy to break.

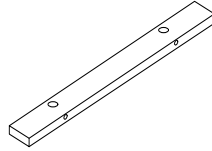
# Board Identification



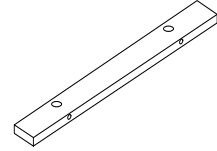
# PARTS LIST



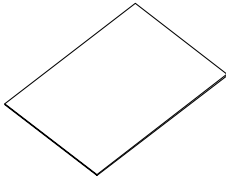
①



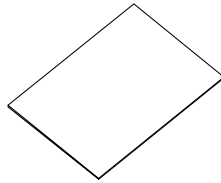
② X2



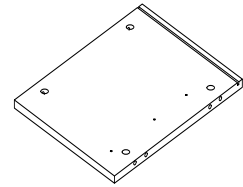
③ X2



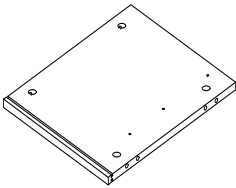
④ X2



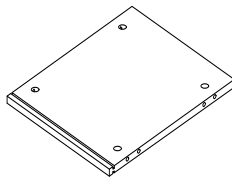
⑤ X2



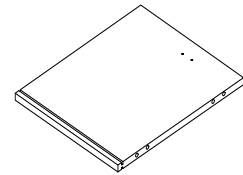
⑥



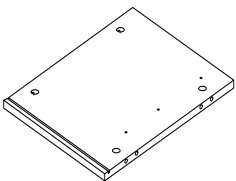
⑦



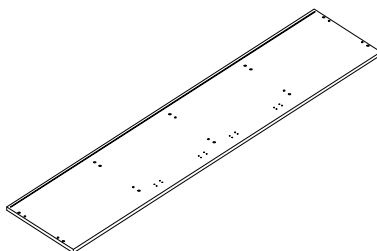
⑧



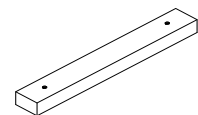
⑨



⑩

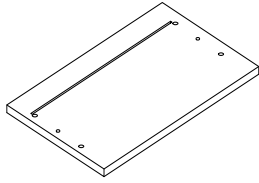


⑪

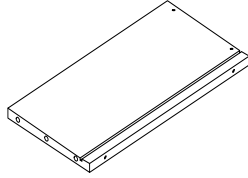


⑫

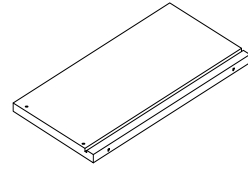
# PARTS LIST



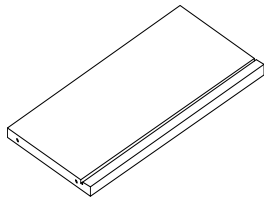
⑬



⑭ X2



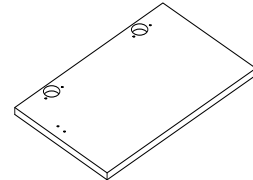
⑮ X2



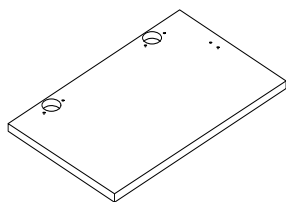
⑯ X2



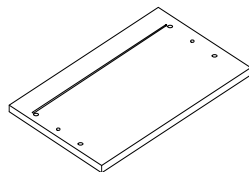
⑰ X2



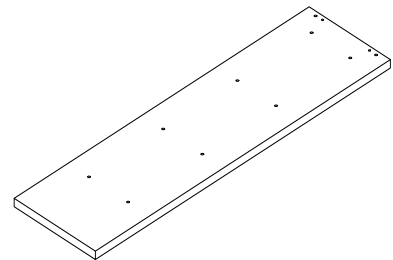
⑱



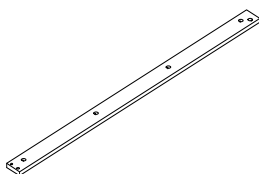
⑲



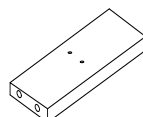
⑳



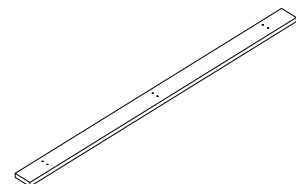
㉑



㉒

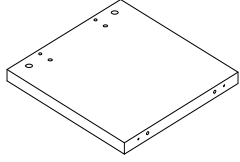


㉓

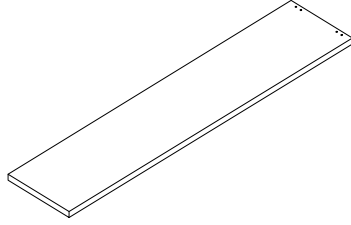


㉔

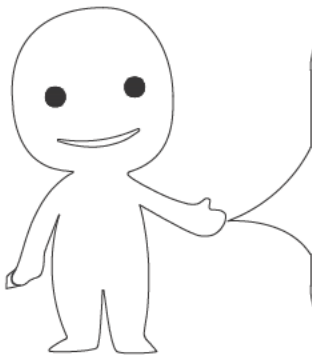
# PARTS LIST



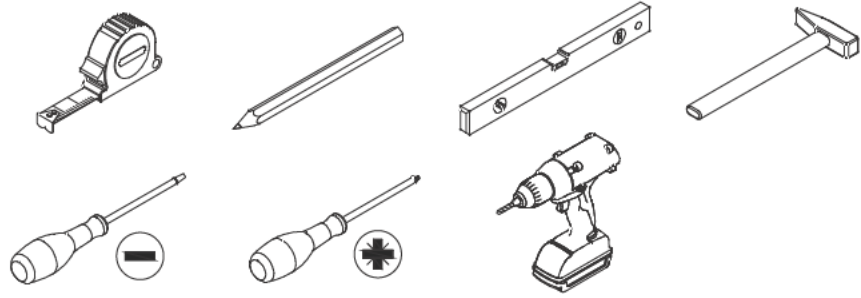
25



26



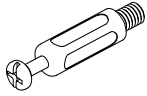
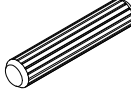
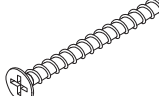
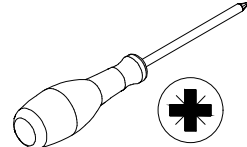
Please prepare the following tools

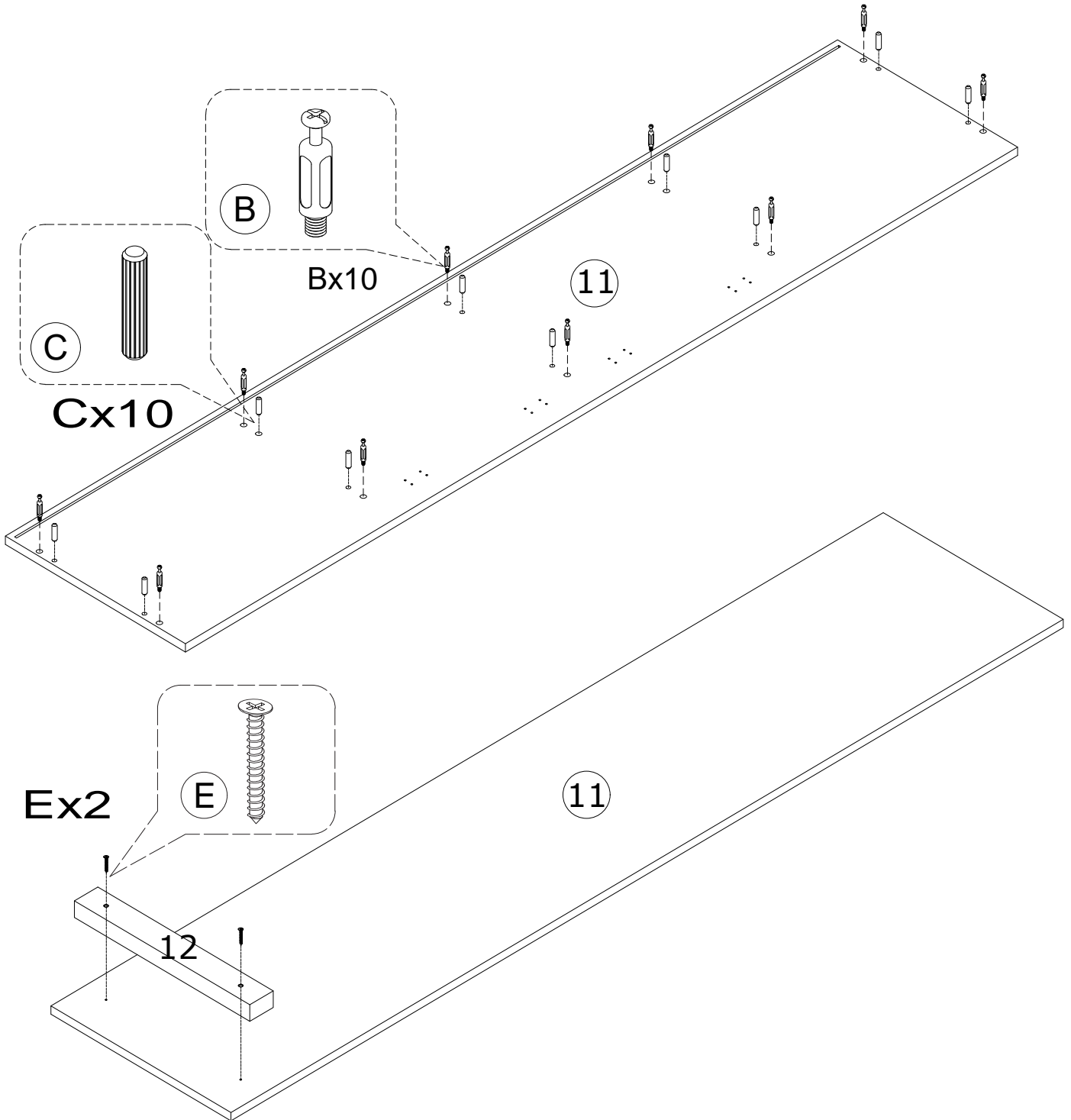
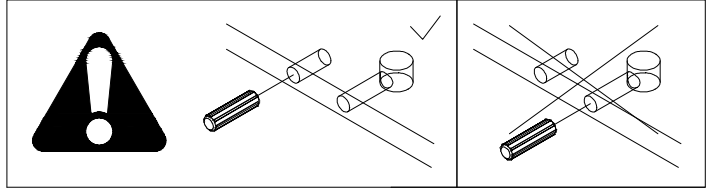
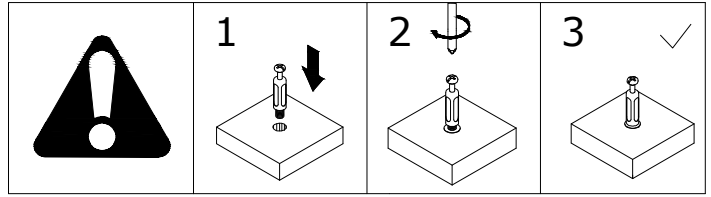


When installing, please carefully confirm whether each screw corresponds to the manual, accessories with similar shapes can be distinguished by size

<p><b>A</b> 50+2PCS</p> <p>∅ 15 x 9 mm</p>	<p><b>B</b> 50+2PCS</p> <p>∅ 6 x 35 mm</p>	<p><b>C</b> 42+2PCS</p> <p>∅ 8 x 30 mm</p>	<p><b>D</b> 8+2PCS</p> <p>∅ 3 x 12 mm</p>
<p><b>E</b> 2PCS</p> <p>∅ 4 x 40 mm</p>	<p><b>F</b> 8PCS</p> <p>∅ 4 x 35 mm</p>	<p><b>G</b> 4PCS</p>	<p><b>H</b> 52+2PCS</p> <p>∅ 3.5 x 14 mm</p>
<p><b>I</b> 1PC</p> <p>65x35x15mm</p>	<p><b>J</b> 1PC</p>	<p><b>K</b> 14PCS</p>	
<p><b>L</b> 2PCS</p> <p>∅ 7 x 60 mm</p>	<p><b>M</b> 1PC</p> <p>M4</p>	<p><b>N</b> 6PCS</p>	<p><b>O</b> 2PCS</p>
<p><b>P</b> 36PCS</p>	<p>CL+CR+DL+DR</p> <p>x 2</p>		

1

<p>B x 10</p>  <p>∅6 x 35 mm</p>	<p>C x 10</p>  <p>∅8 x 30 mm</p>	<p>E x 2</p>  <p>∅4 x 40 mm</p>		
---	---	--	--	---



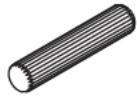
2

C x 20

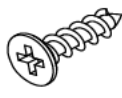
H x 12

CL x 2

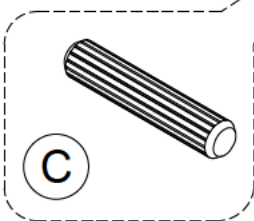
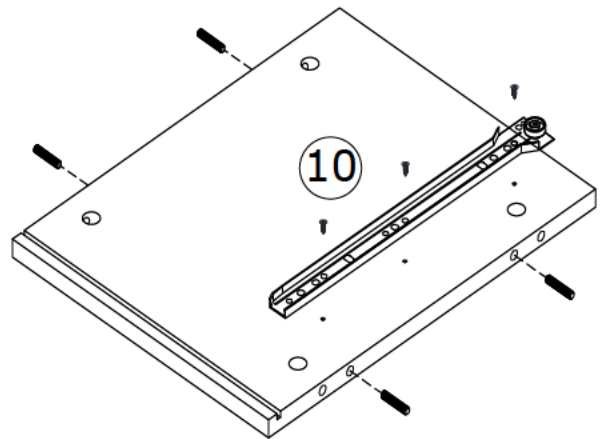
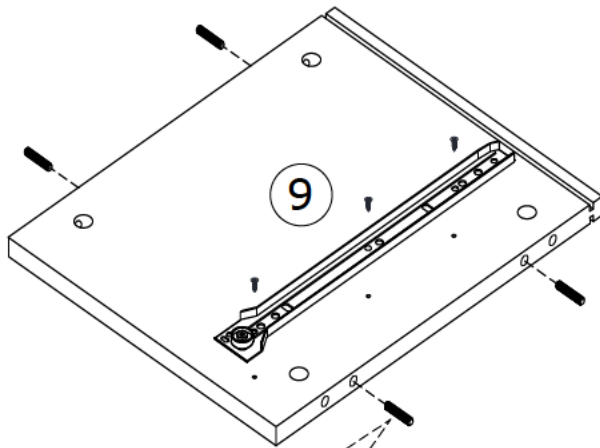
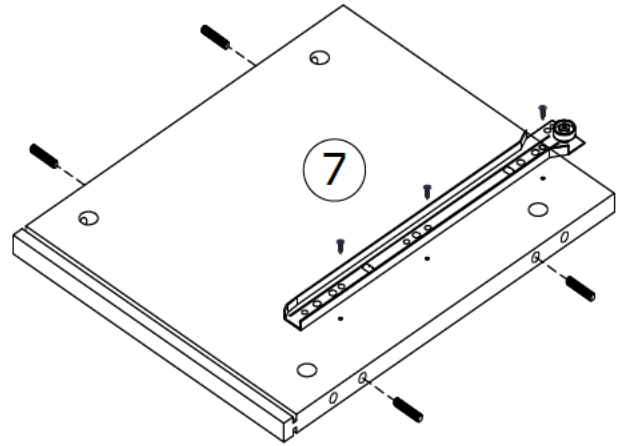
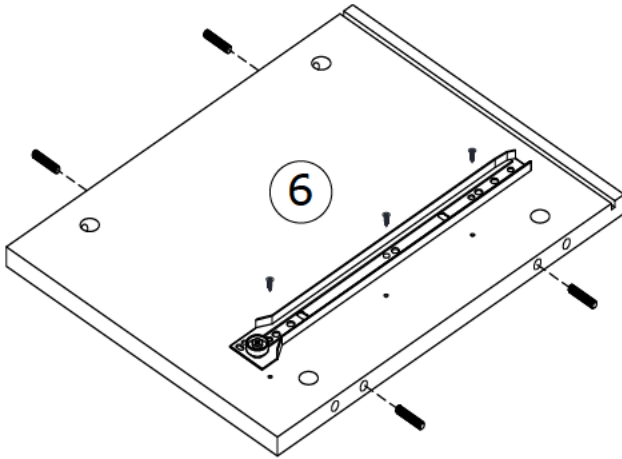
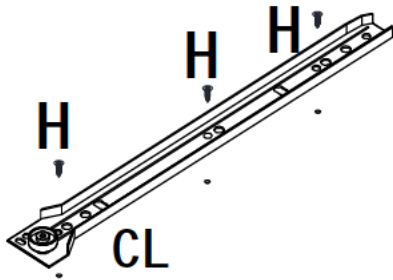
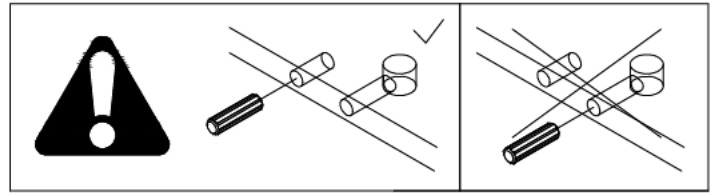
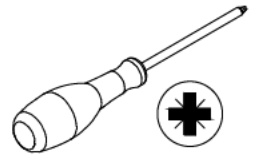
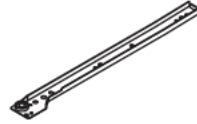
CR x 2



∅8 x 30 mm

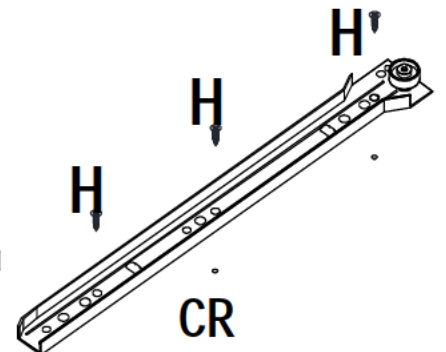
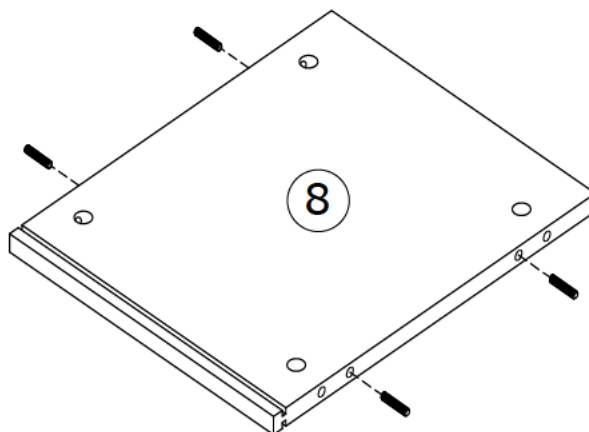


∅3.5 x 14 mm



C

Cx20

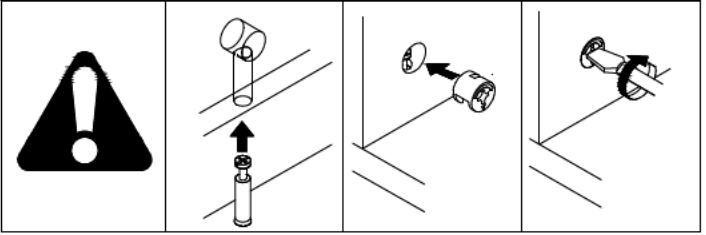
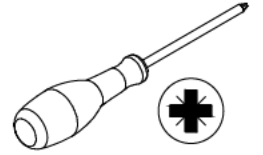


3

A x 10

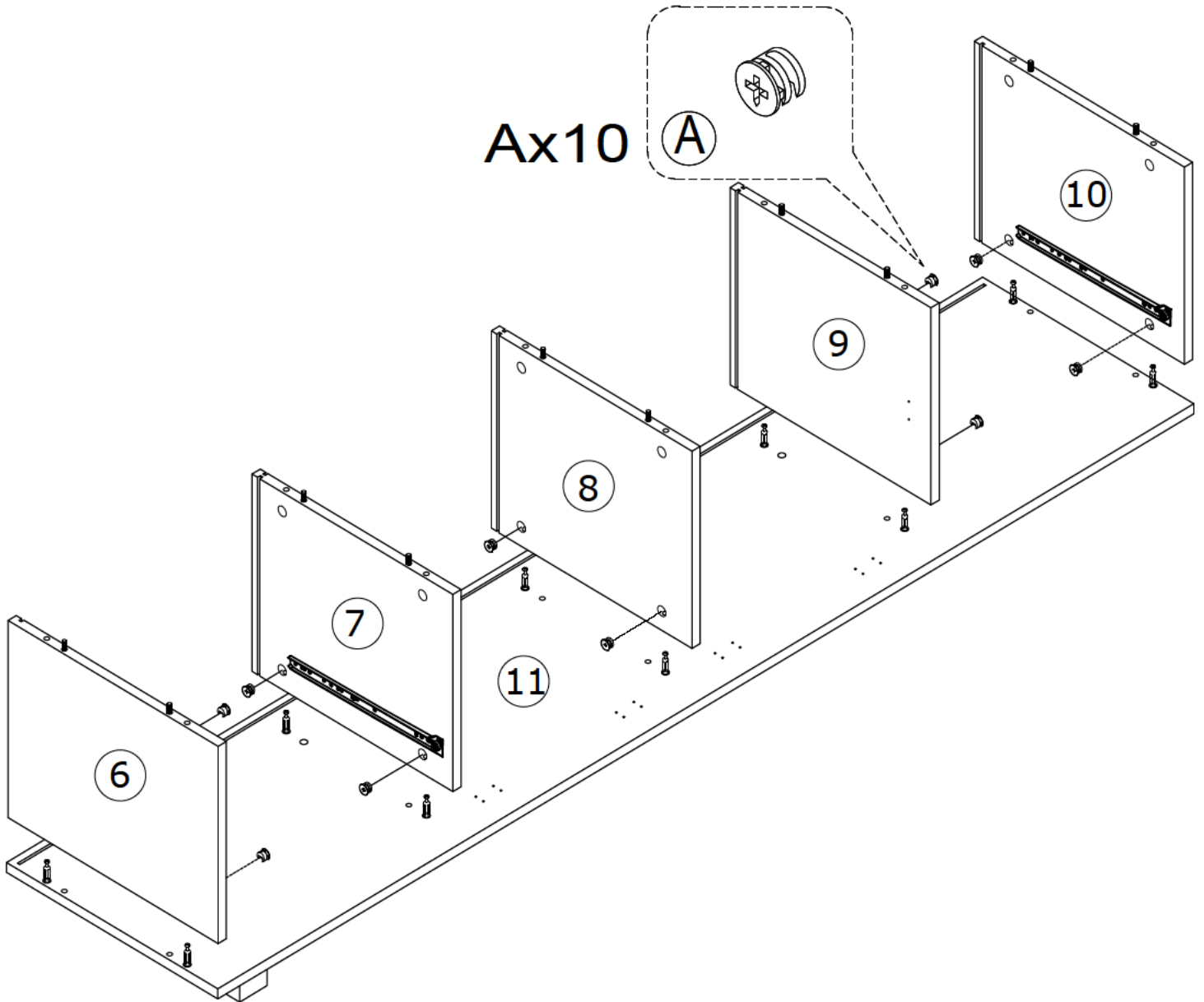


Ø15 x 9 mm

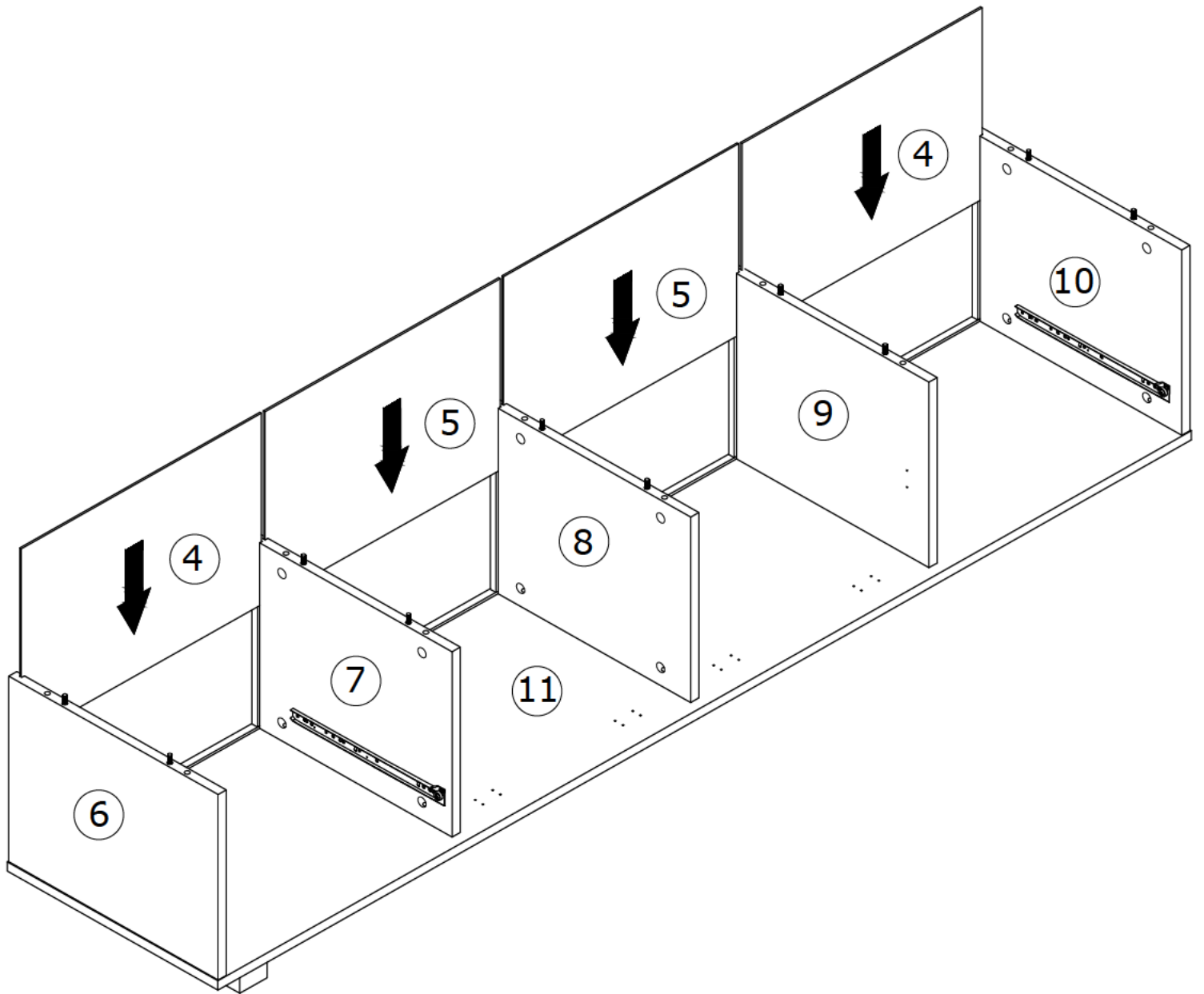
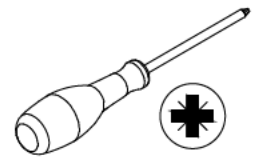


Ax10

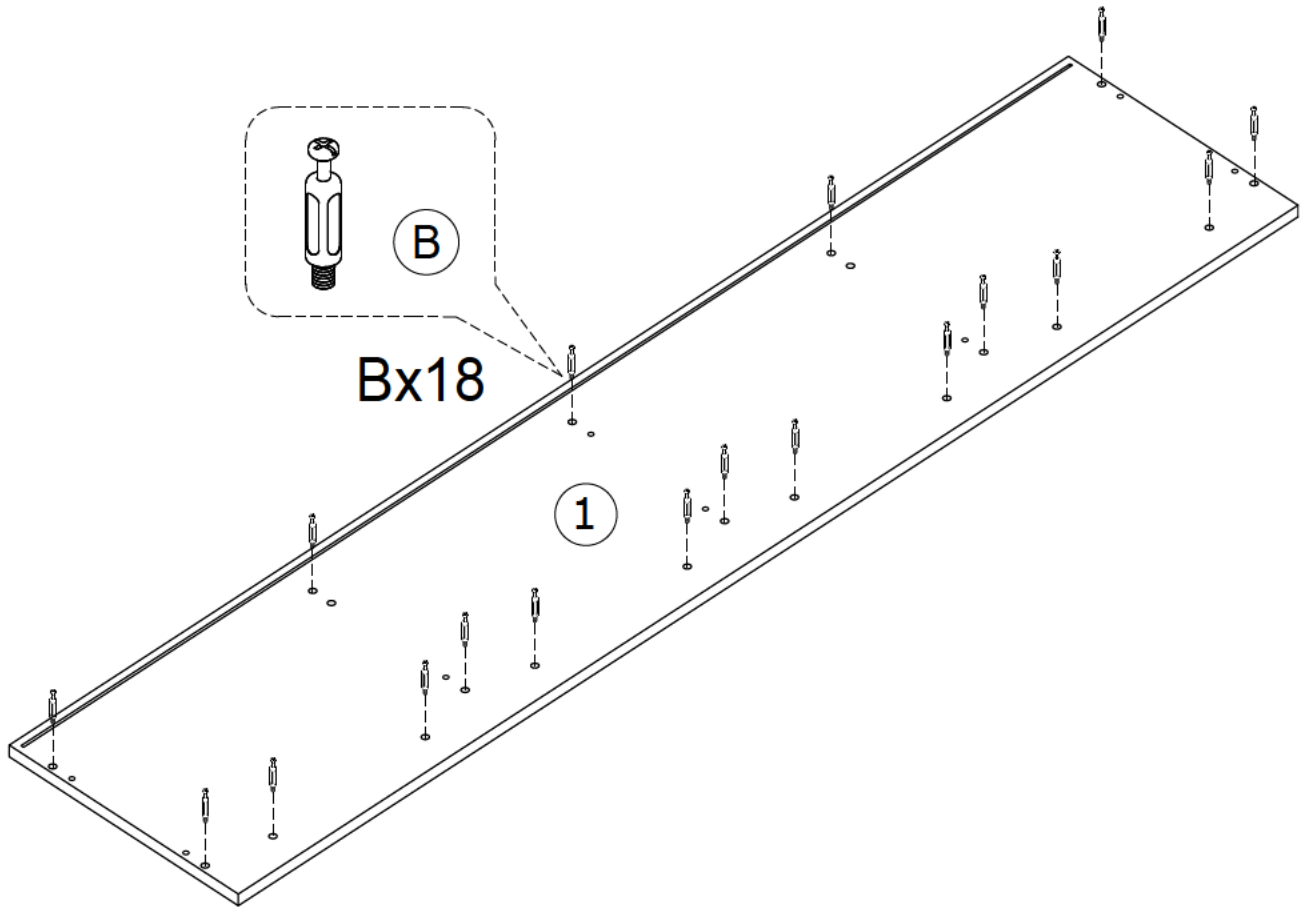
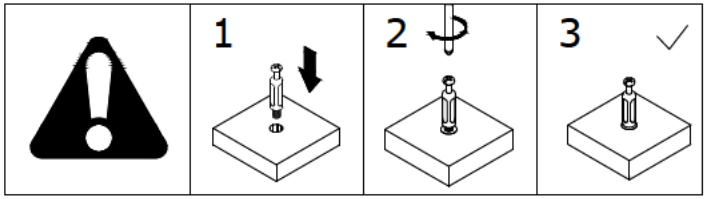
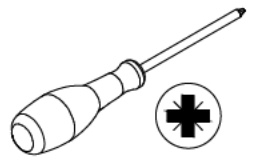
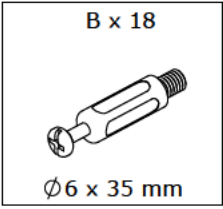
A



4



5

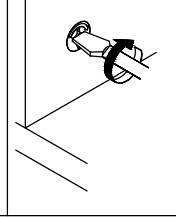
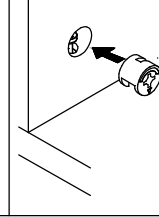
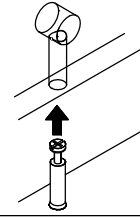
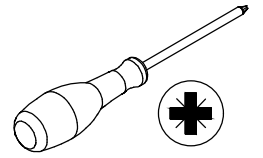


6

A x 8

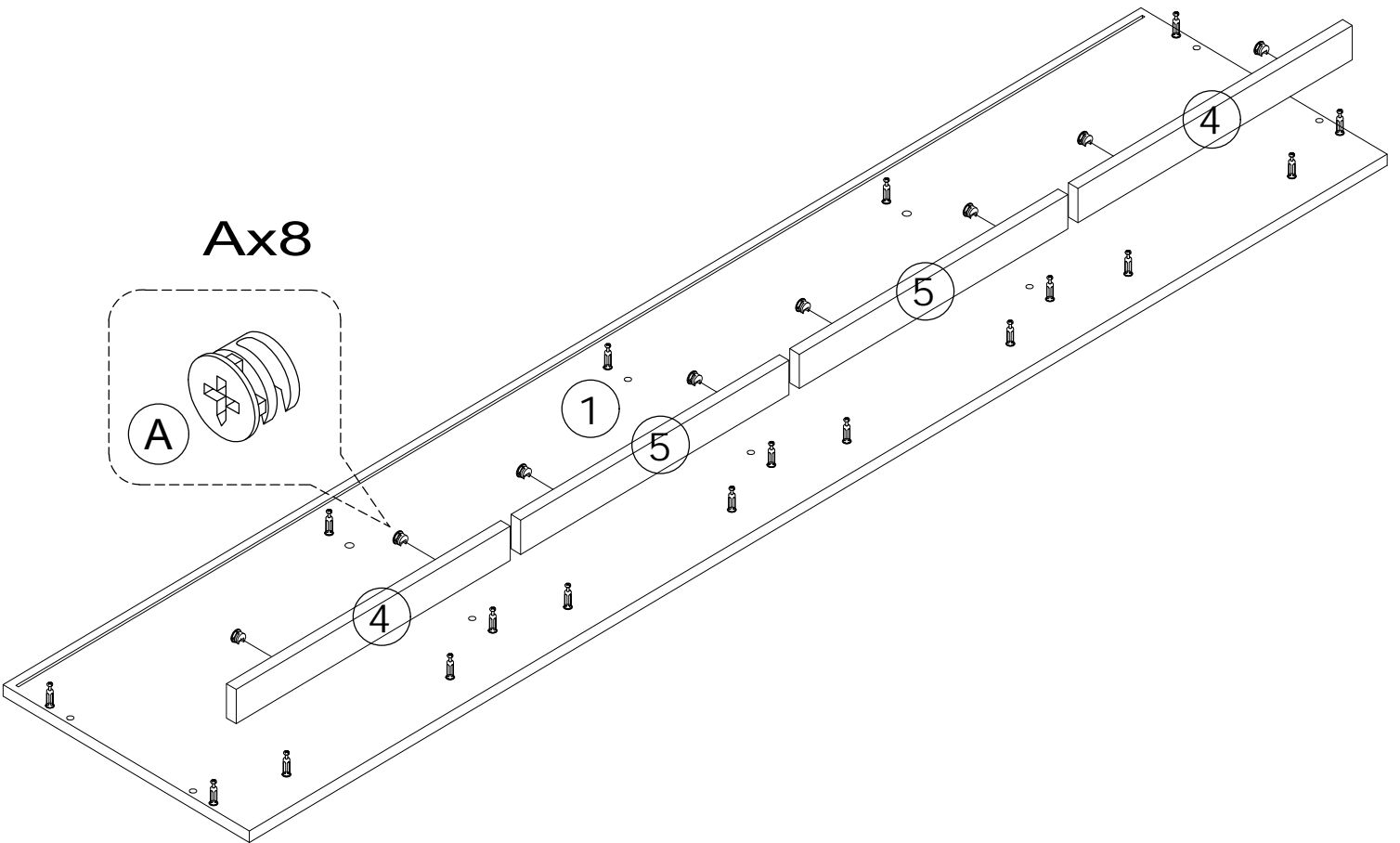
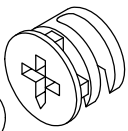


Ø15 x 9 mm



Ax8

A

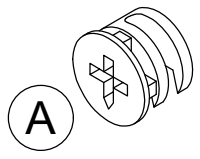
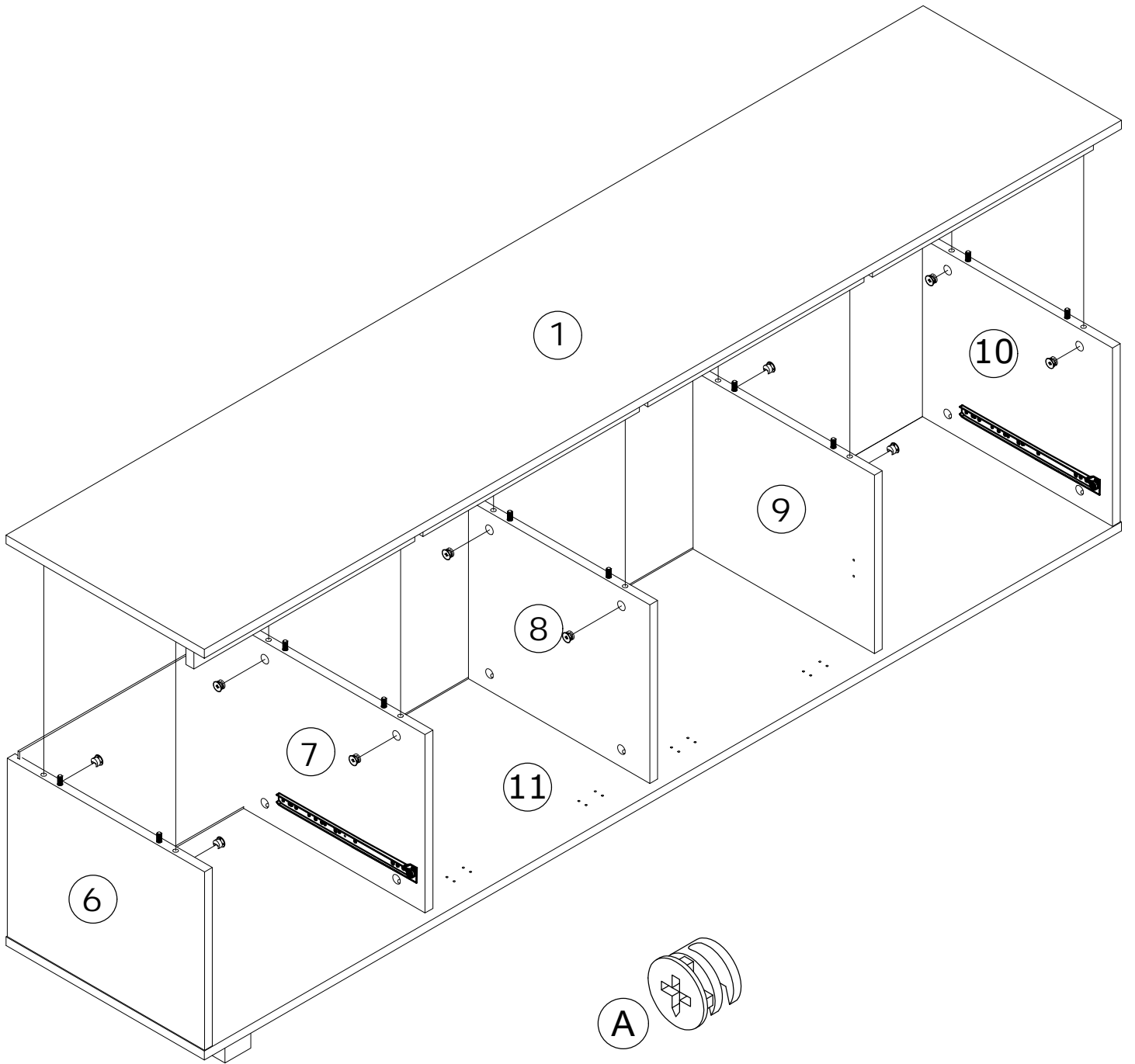
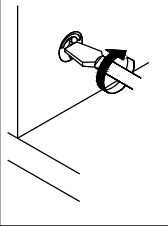
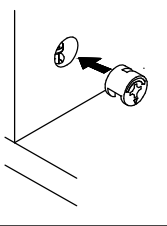
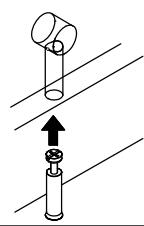
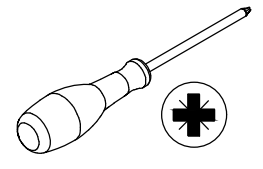


7

A x 10




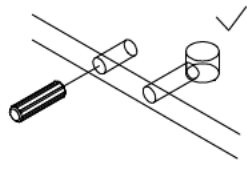
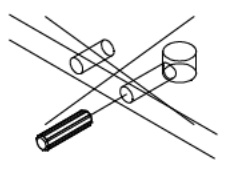

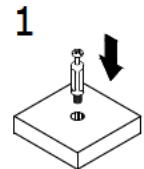
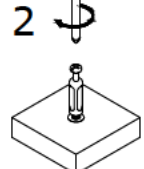
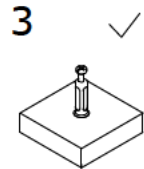
Ø15 x 9 mm

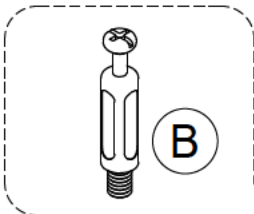


Ax10

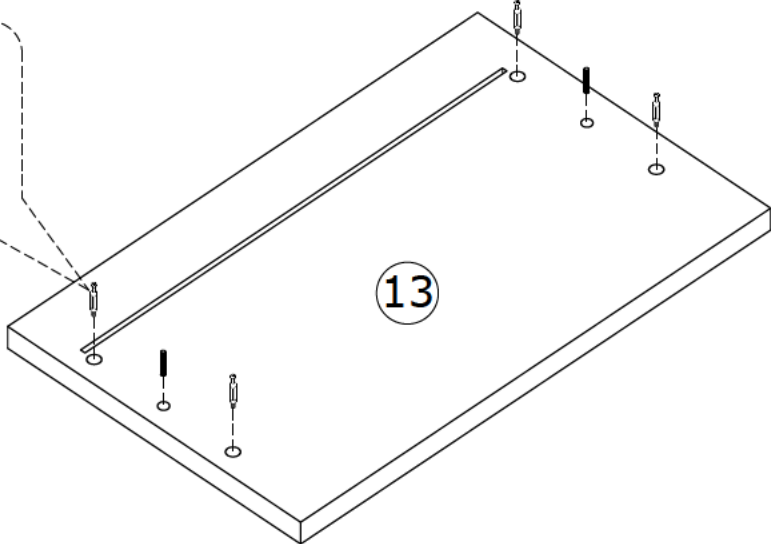
8

<p>B x 8</p>  <p>Ø6 x 35 mm</p>	<p>C x 4</p>  <p>Ø8 x 30 mm</p>	
--	--	--

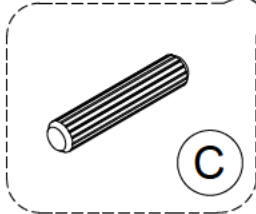
			
	<p>1</p> 	<p>2</p> 	<p>3</p> 



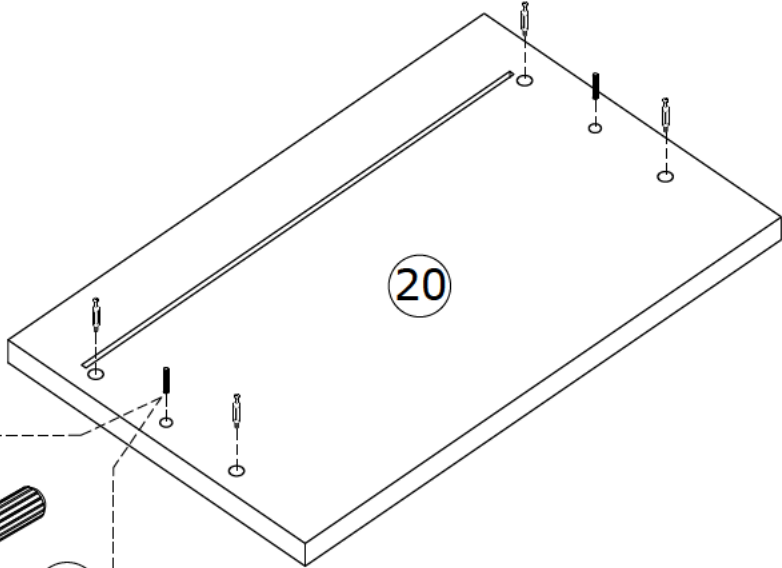
Bx8



13



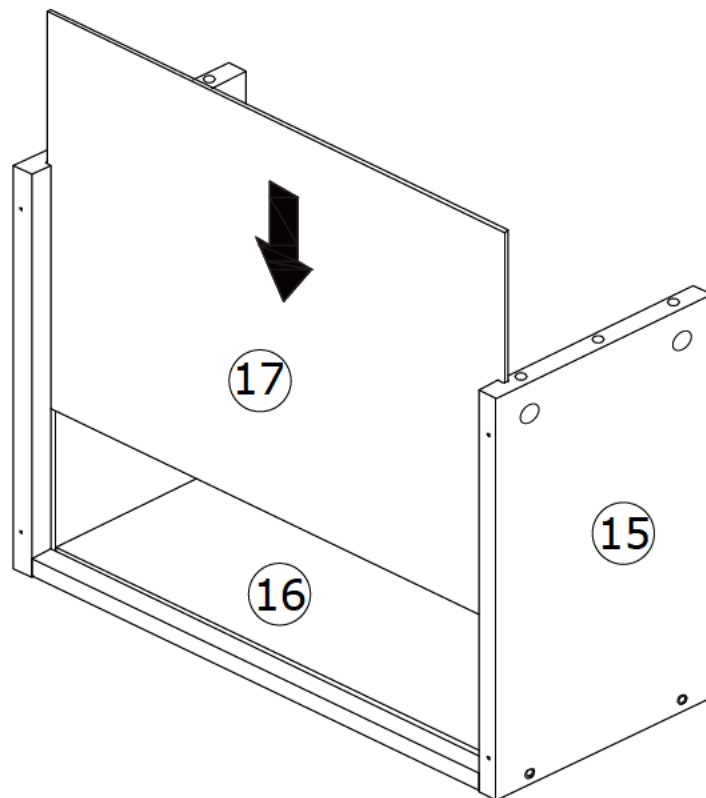
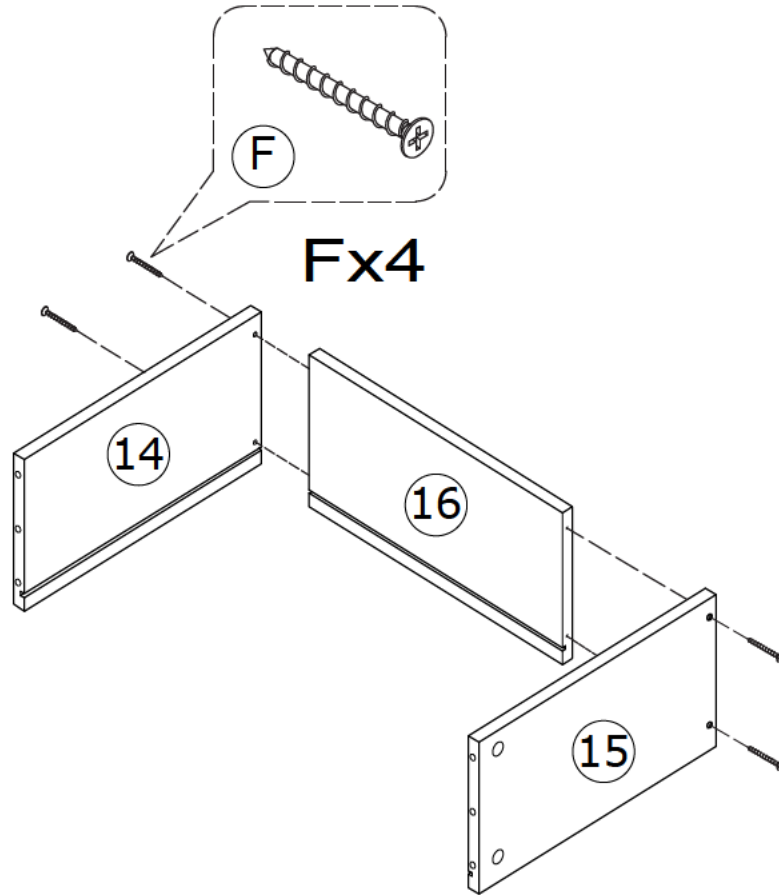
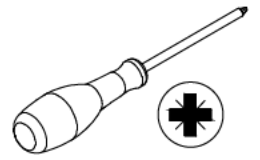
Cx4



20

9

F x 8  
Ø4 x 35 mm

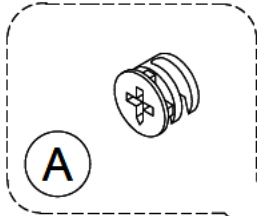
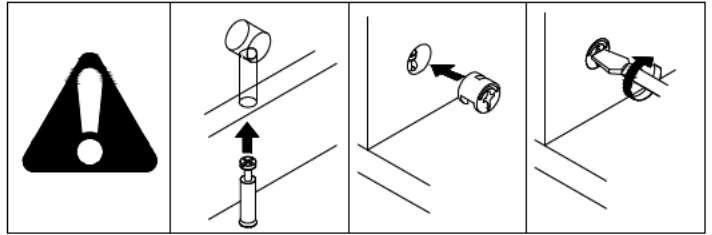
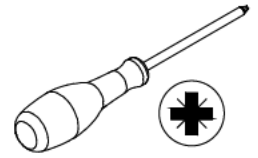


10

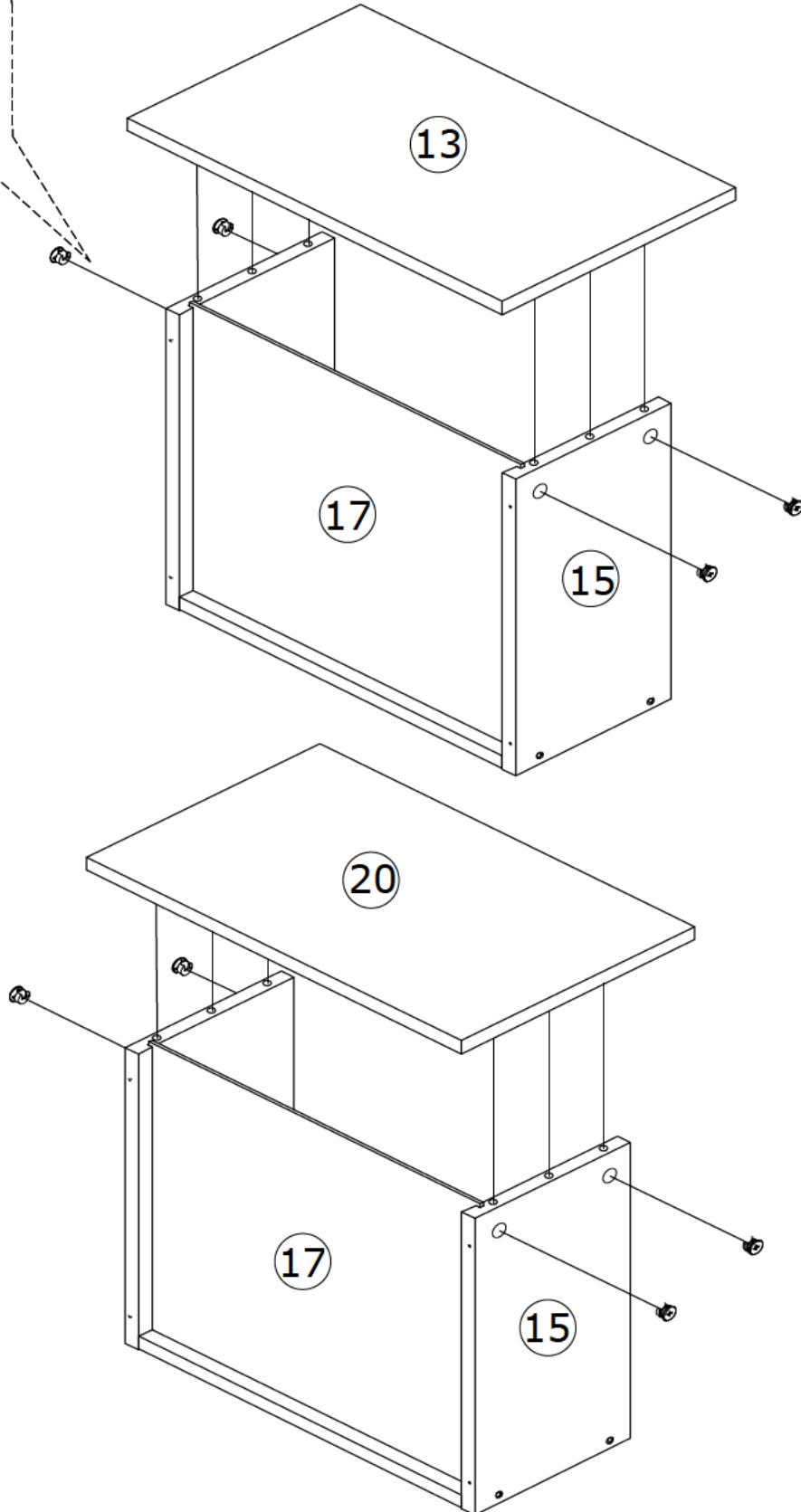
A x 8



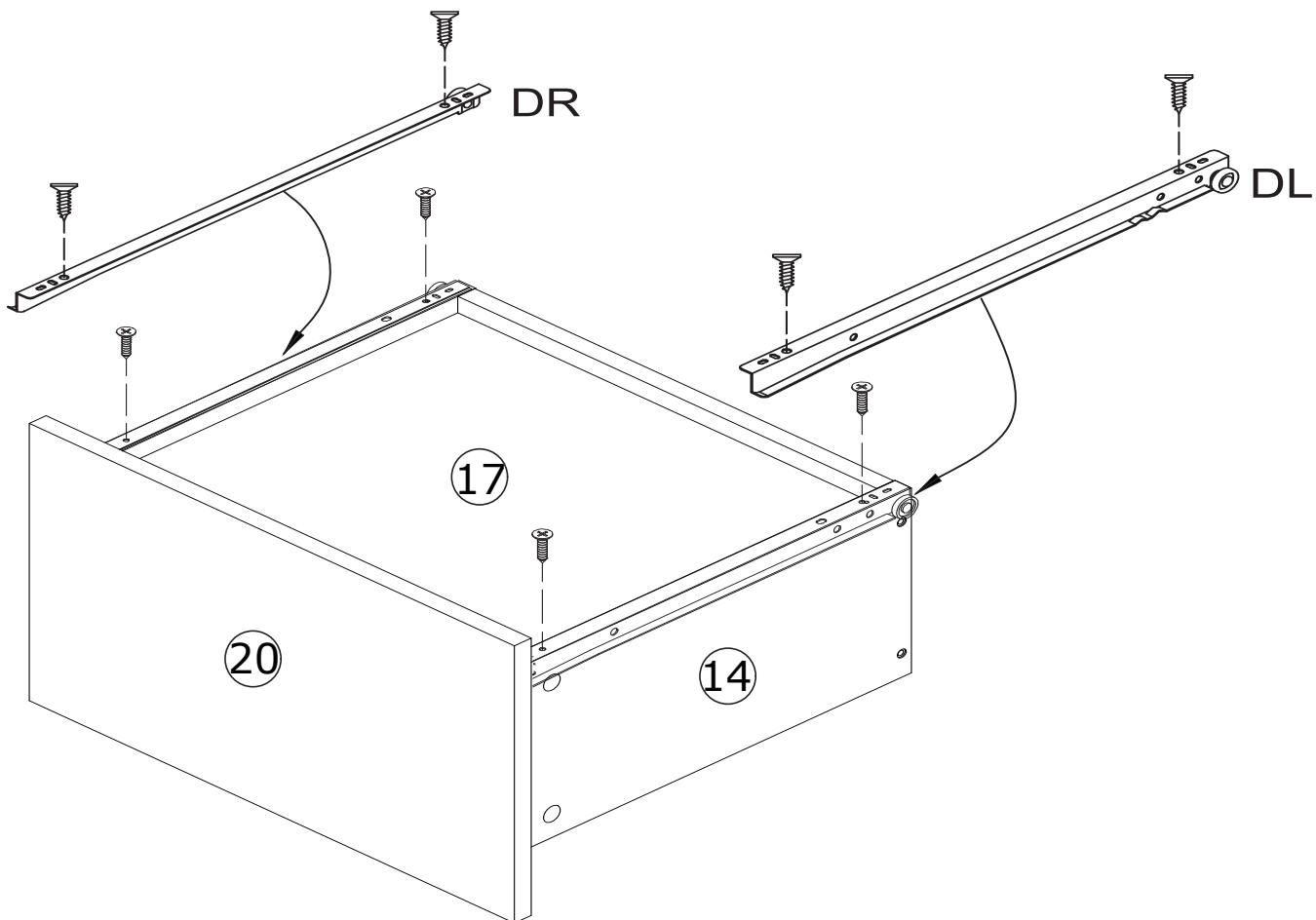
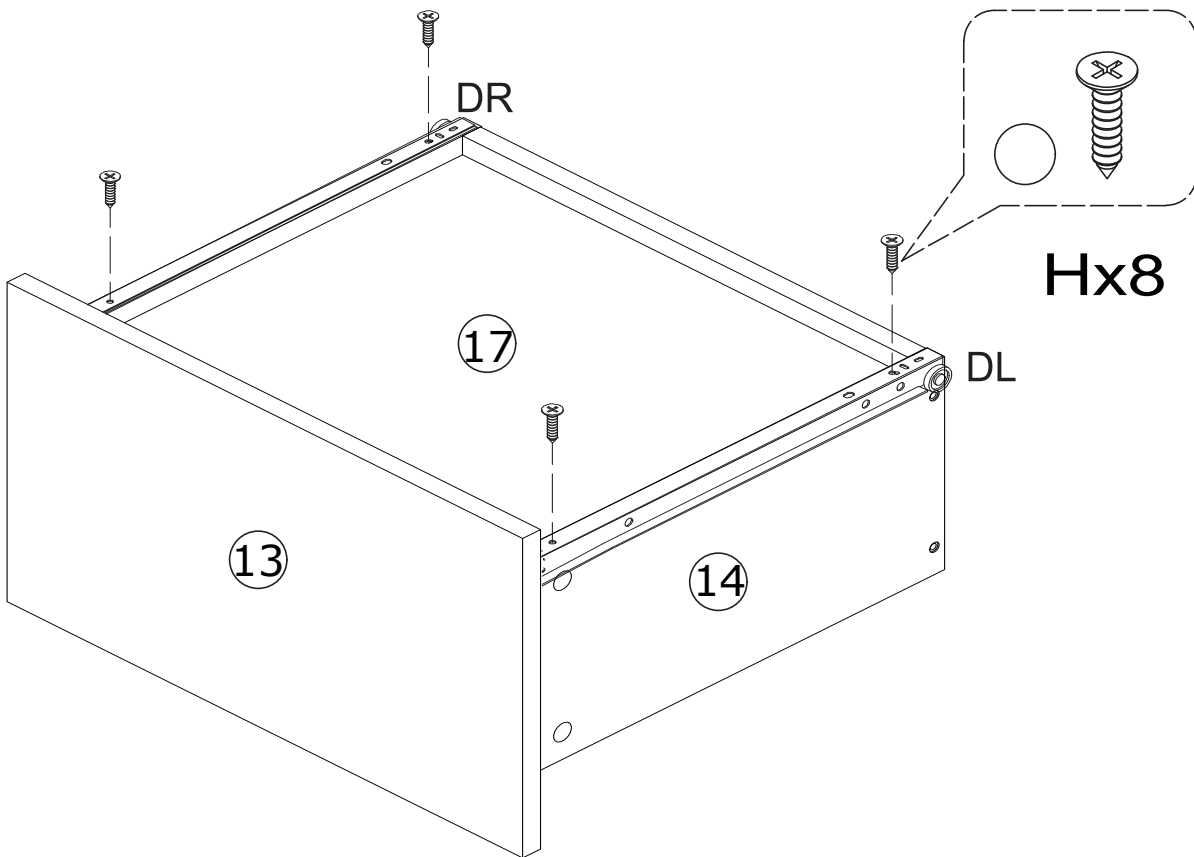
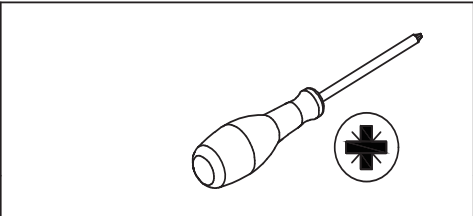
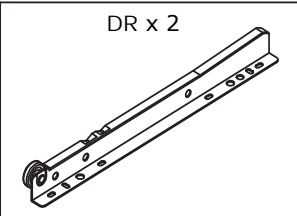
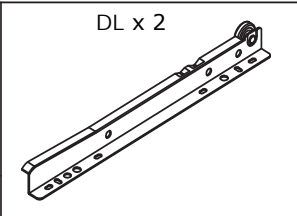
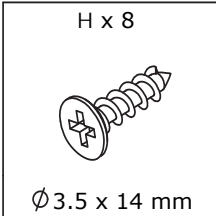
Ø15 x 9 mm



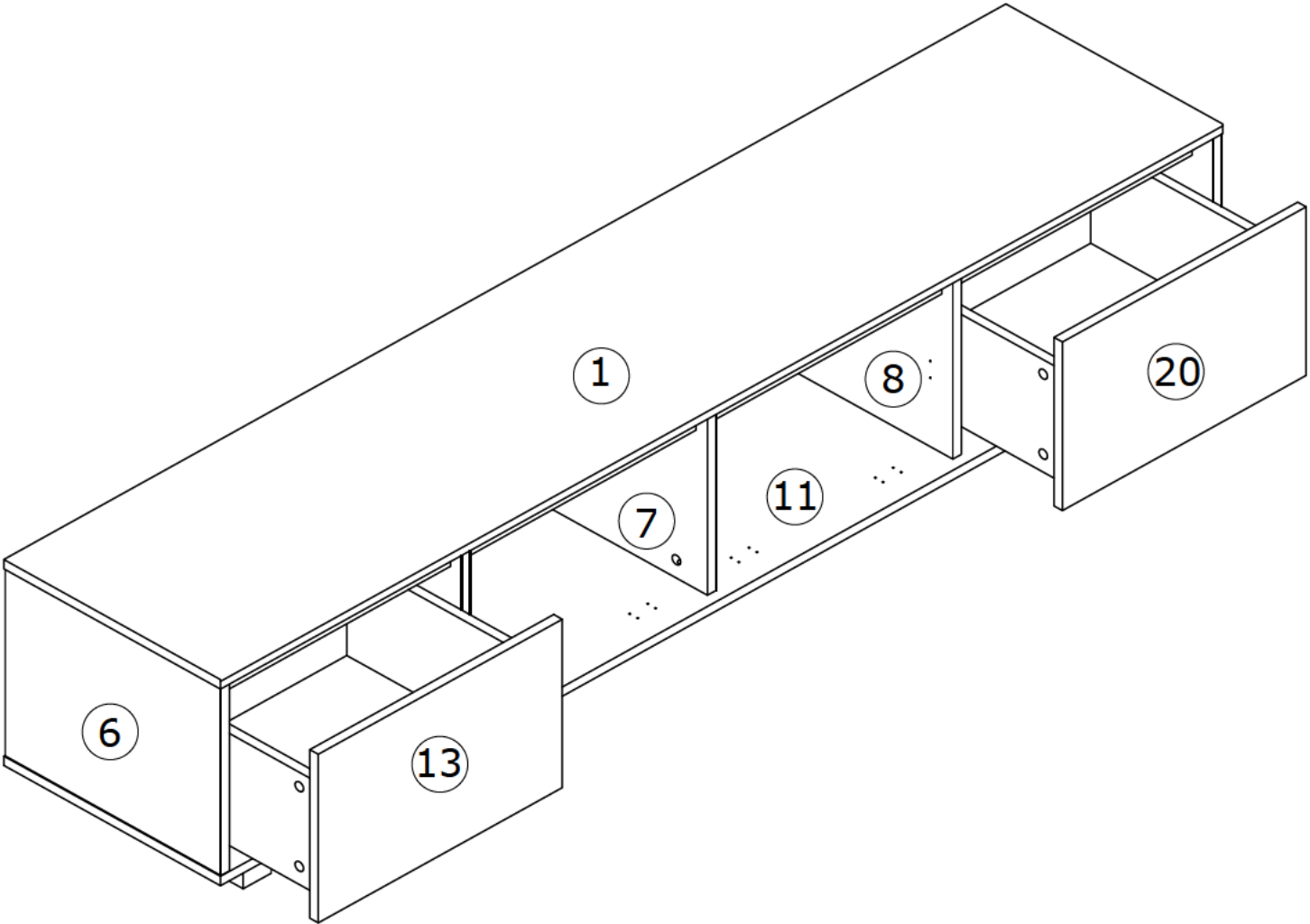
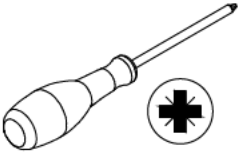
Ax4



11

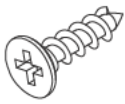


12



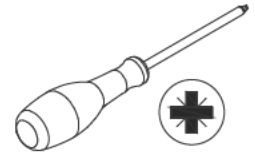
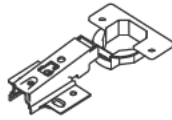
13

H x 12

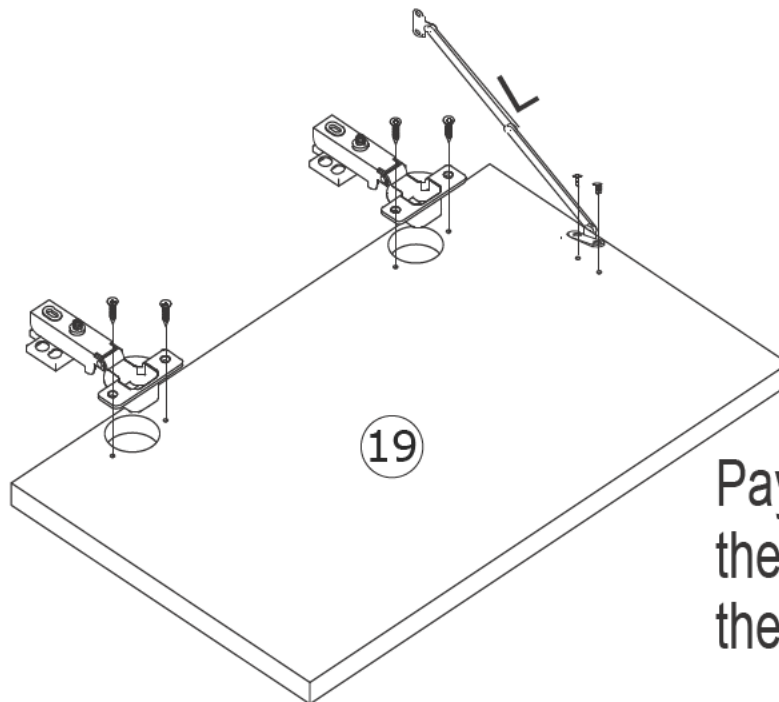
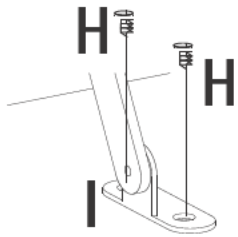
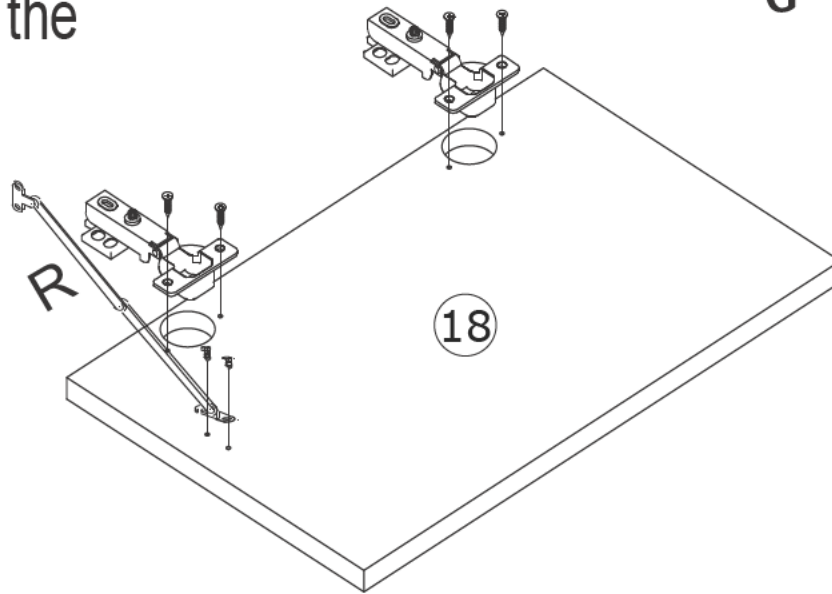
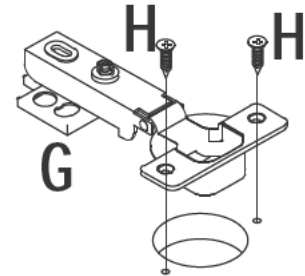


Ø3.5 x 14 mm

G x 4

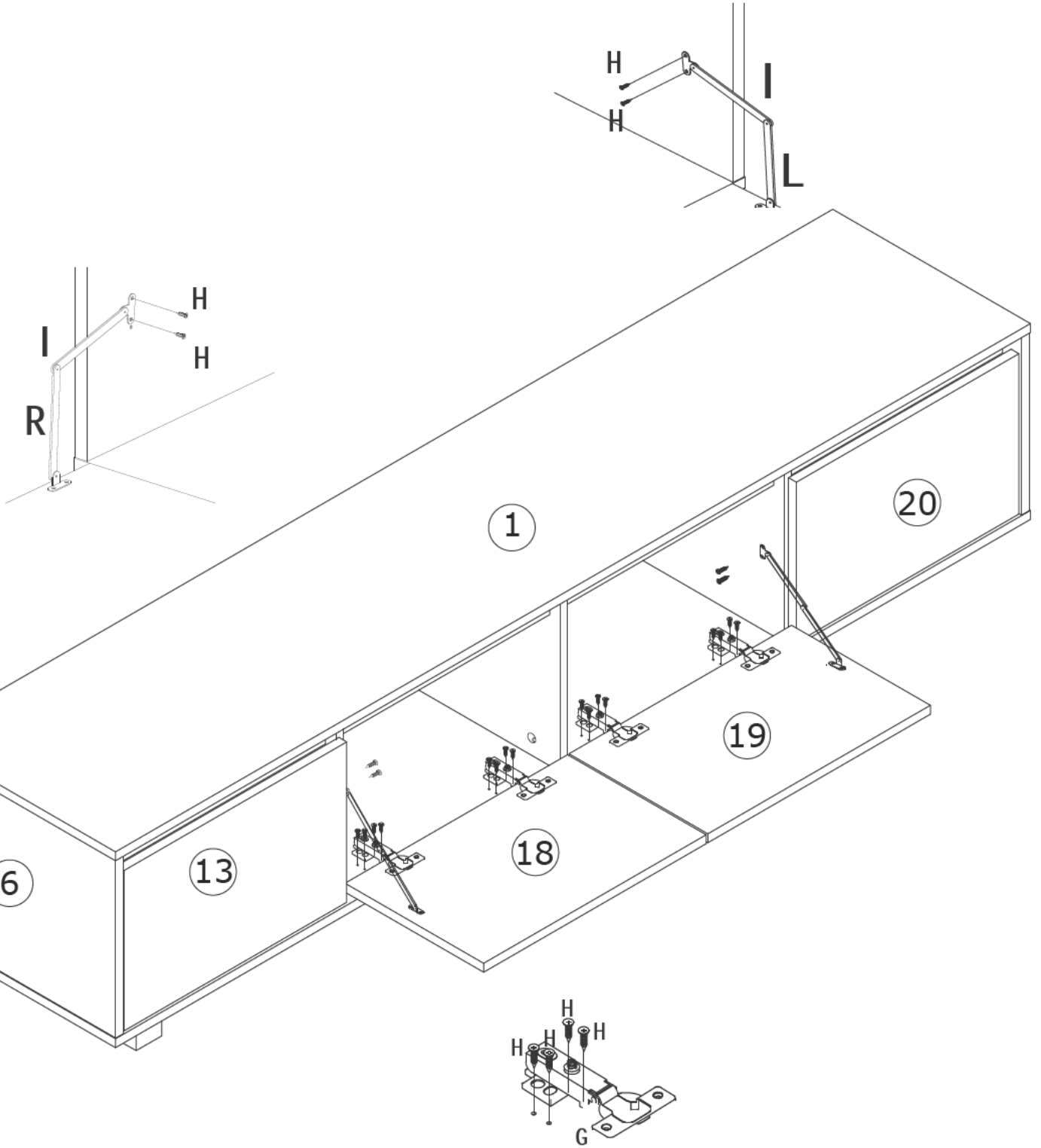
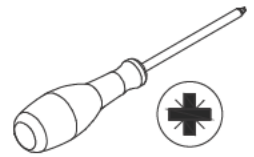
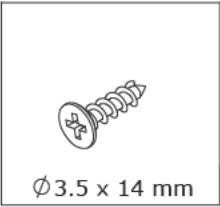


Pay attention to the orientation of the accessory.


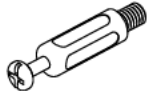

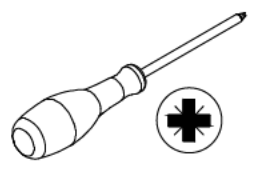



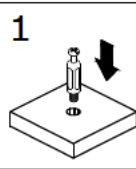
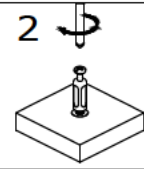
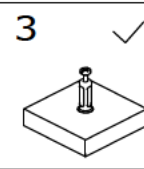

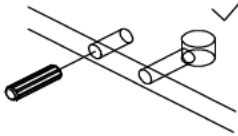
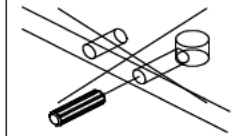

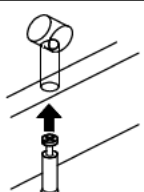
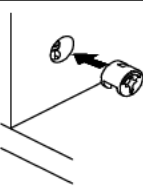
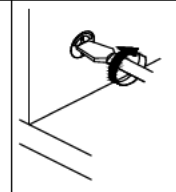
Pay attention to the orientation of the accessory.

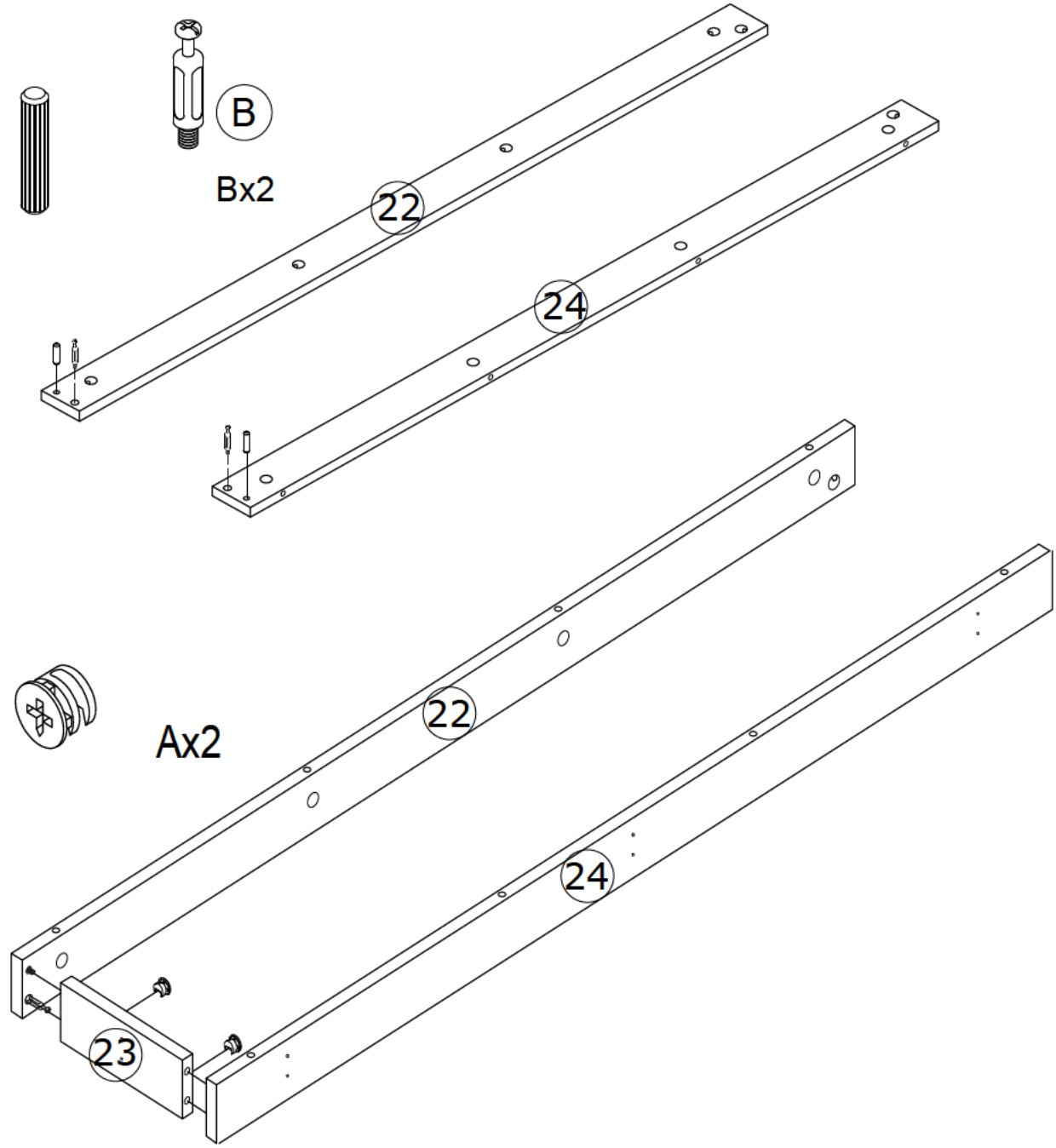
14



15

<p>A x 2</p>  <p>Ø 15 x 9 mm</p>	<p>B x 2</p>  <p>Ø6 x 35 mm</p>	<p>C x 2</p>  <p>Ø8 x 30 mm</p>	
---	--	--	--

	<p>1</p> 	<p>2</p> 	<p>3</p> 
			
			



**A** Ax2

**B** Bx2



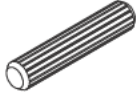
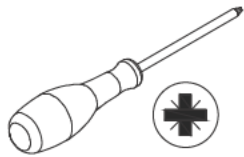
**C** Cx2


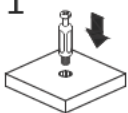
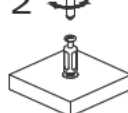
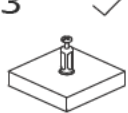

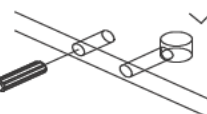
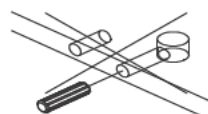

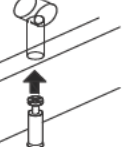
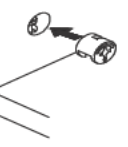
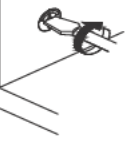
22

23

24

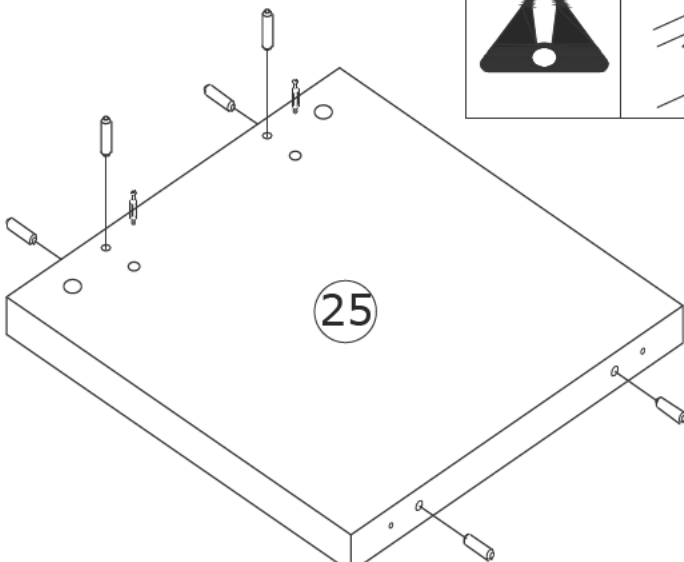
16

<p>A x 2</p>  <p>Ø15 x 9 mm</p>	<p>B x 2</p>  <p>Ø6 x 35mm</p>	<p>C x 6</p>  <p>Ø8 x 30 mm</p>	
---	--	---	--

	<p>1</p> 	<p>2</p> 	<p>3</p> 
			
			

**B** Bx2

**C** Cx6



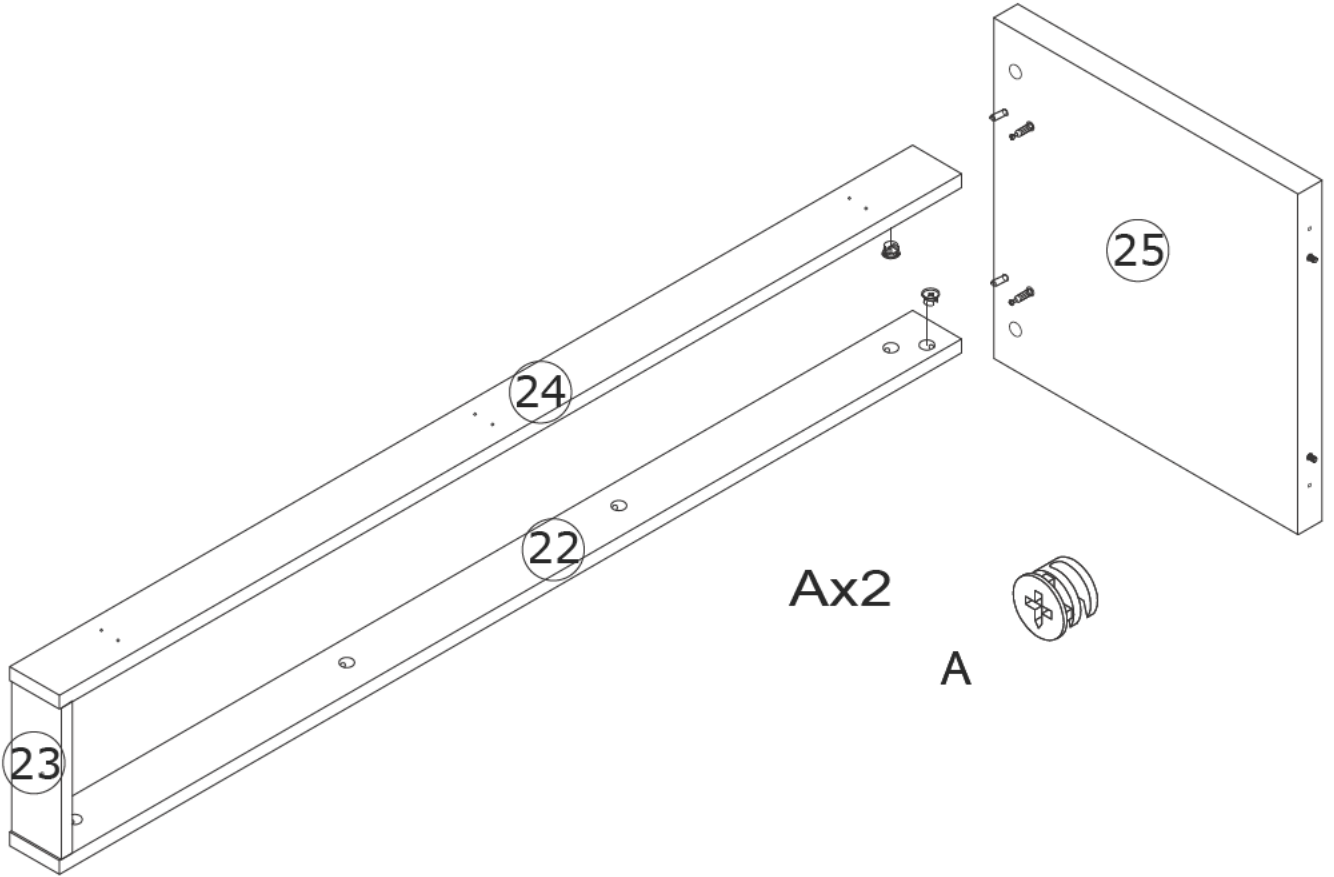
**A** Ax2

**23**

**24**

**22**

**25**

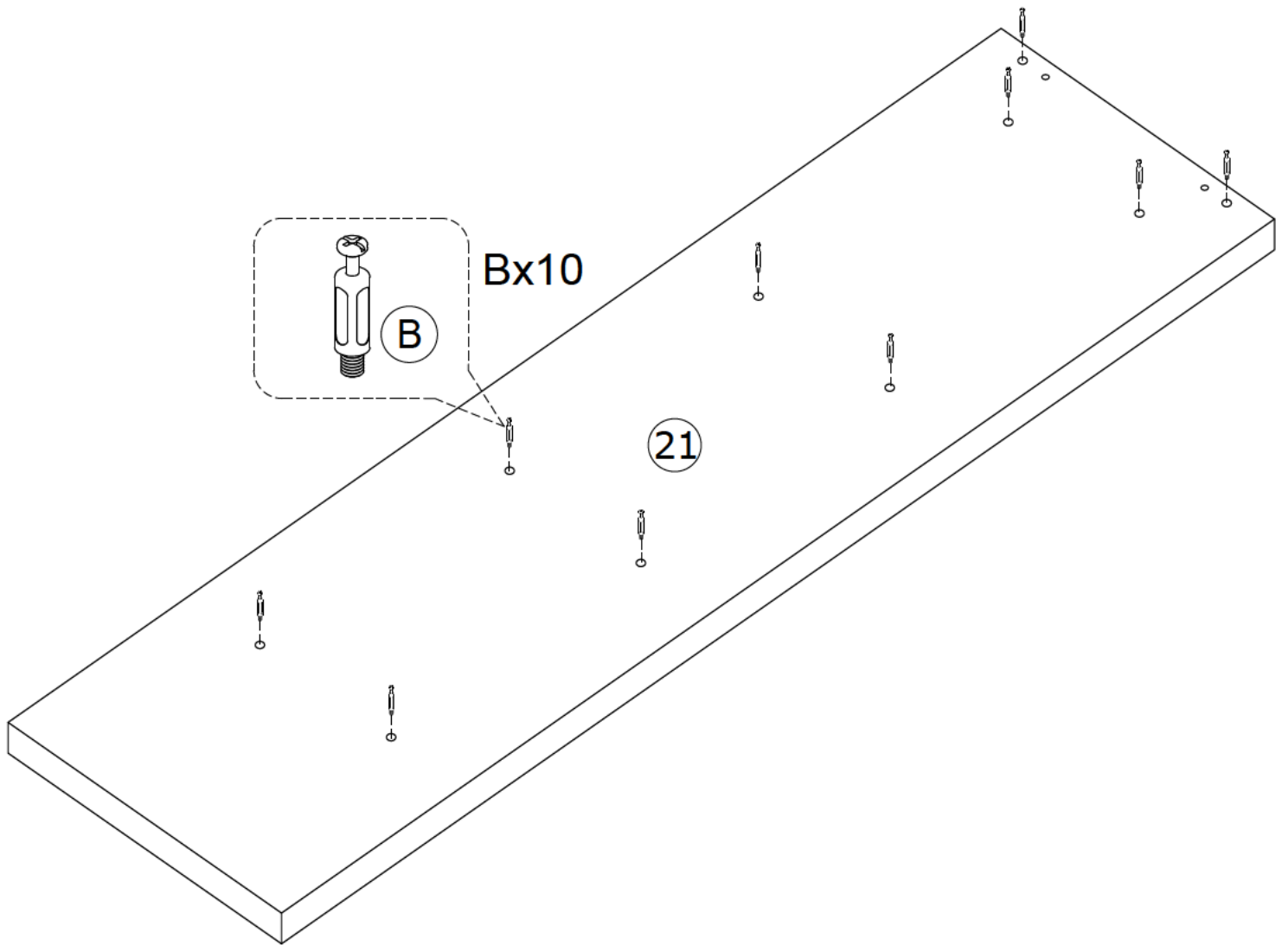
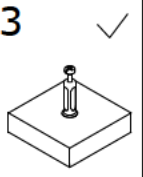
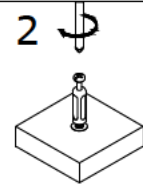
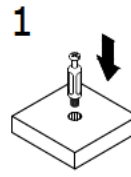
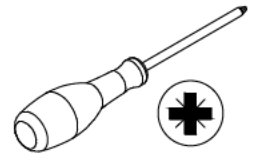


17

B x 10

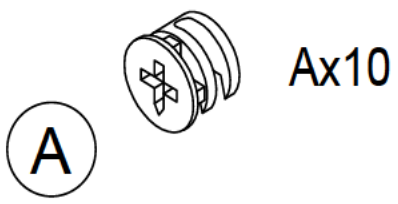
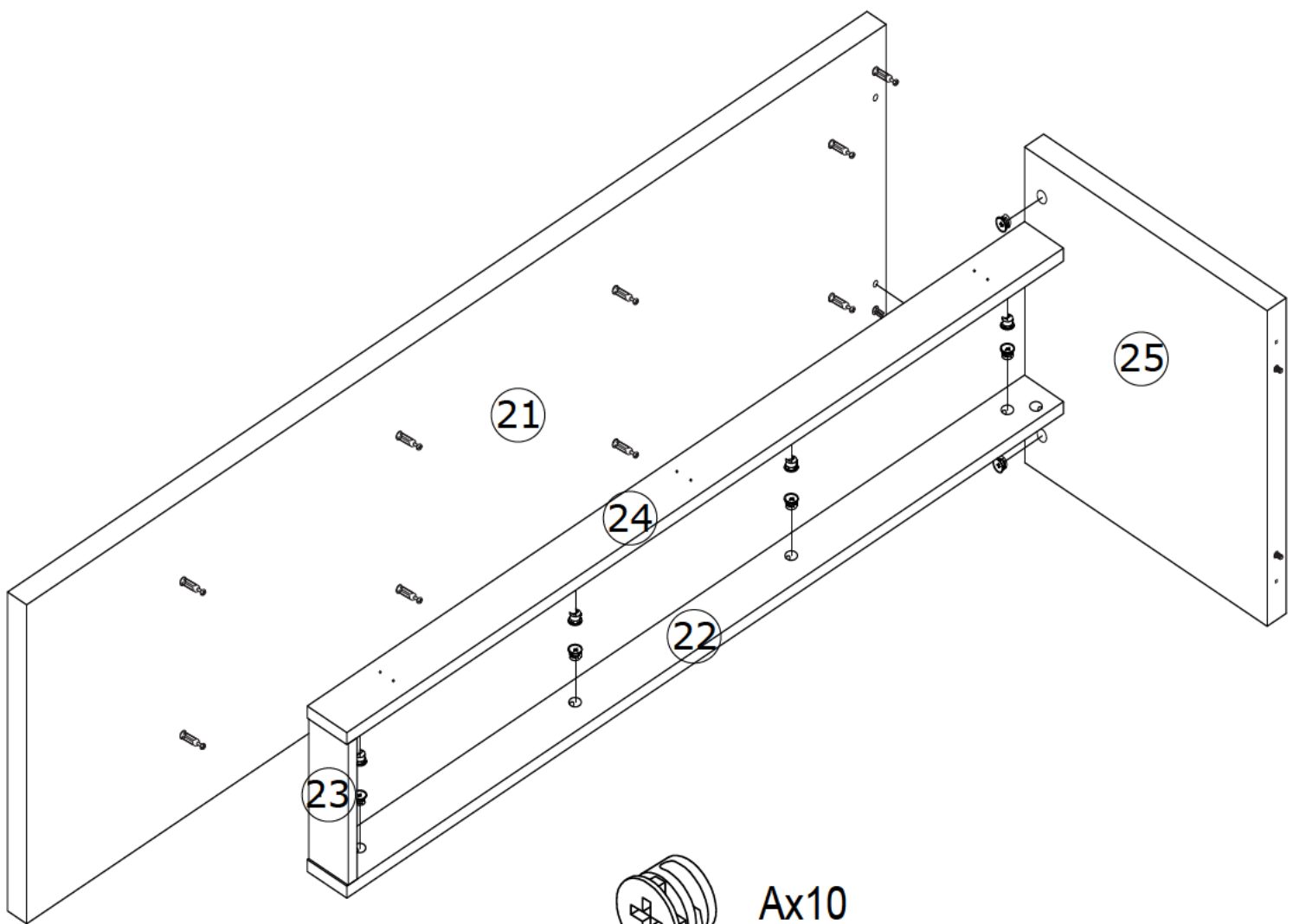
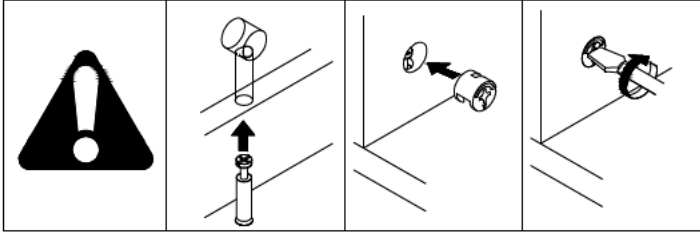
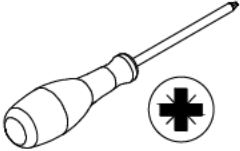


Ø6 x 35 mm



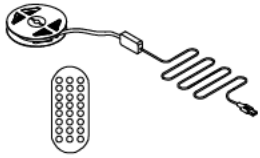
18

A x 10  
Ø15 x 9 mm

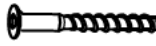


19

J x 1

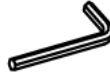


L x 2

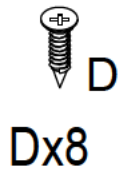
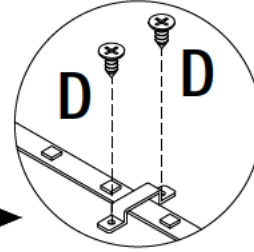
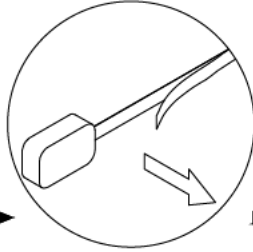
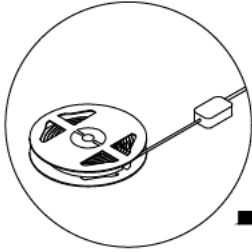
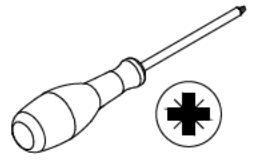
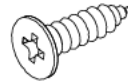


∅7 x 60 mm

M x 1



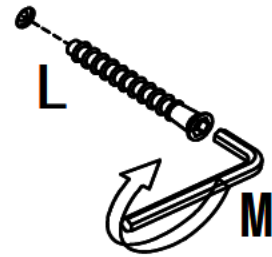
M4






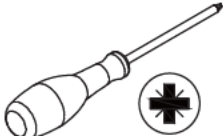

Dx8

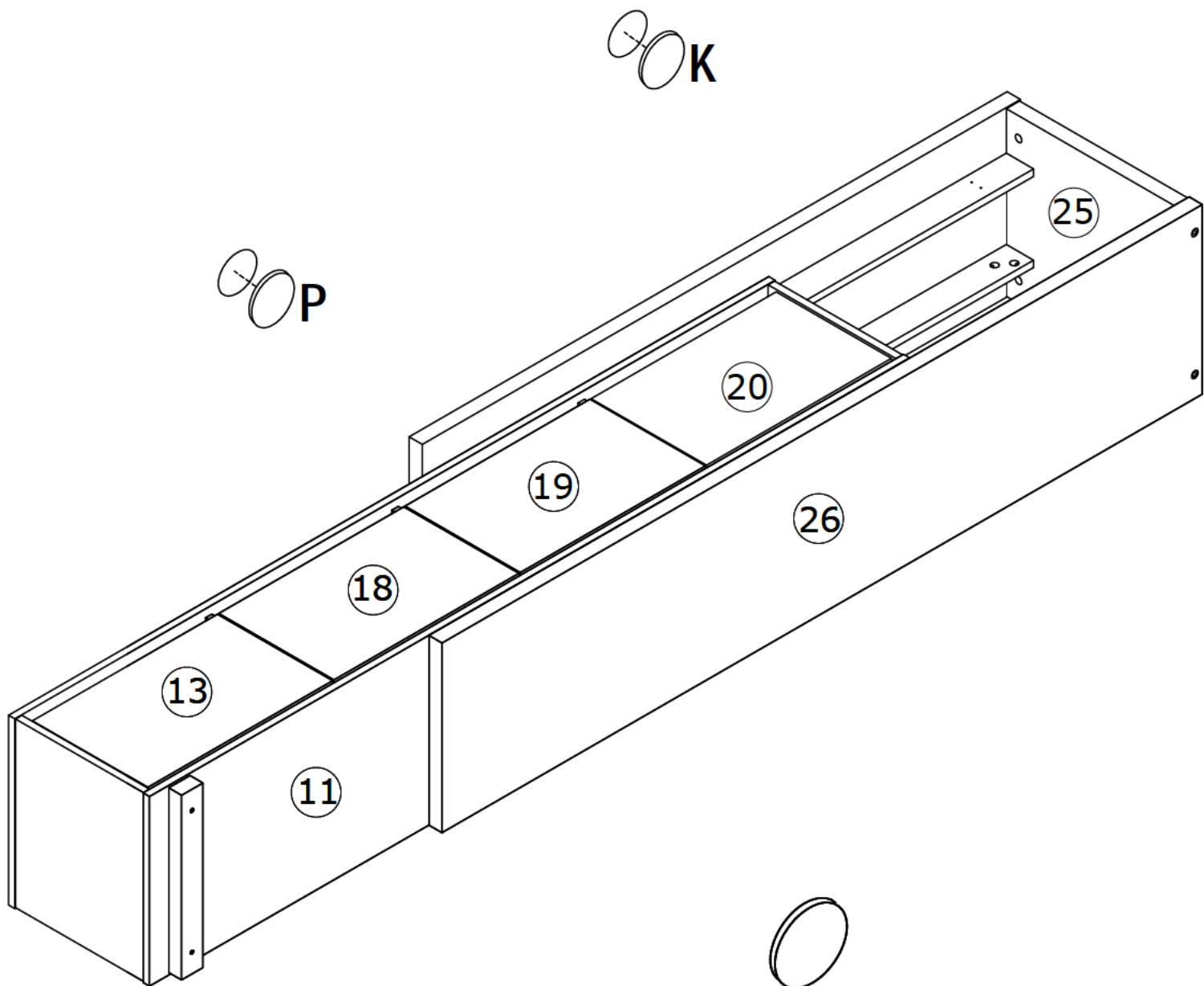
25

26

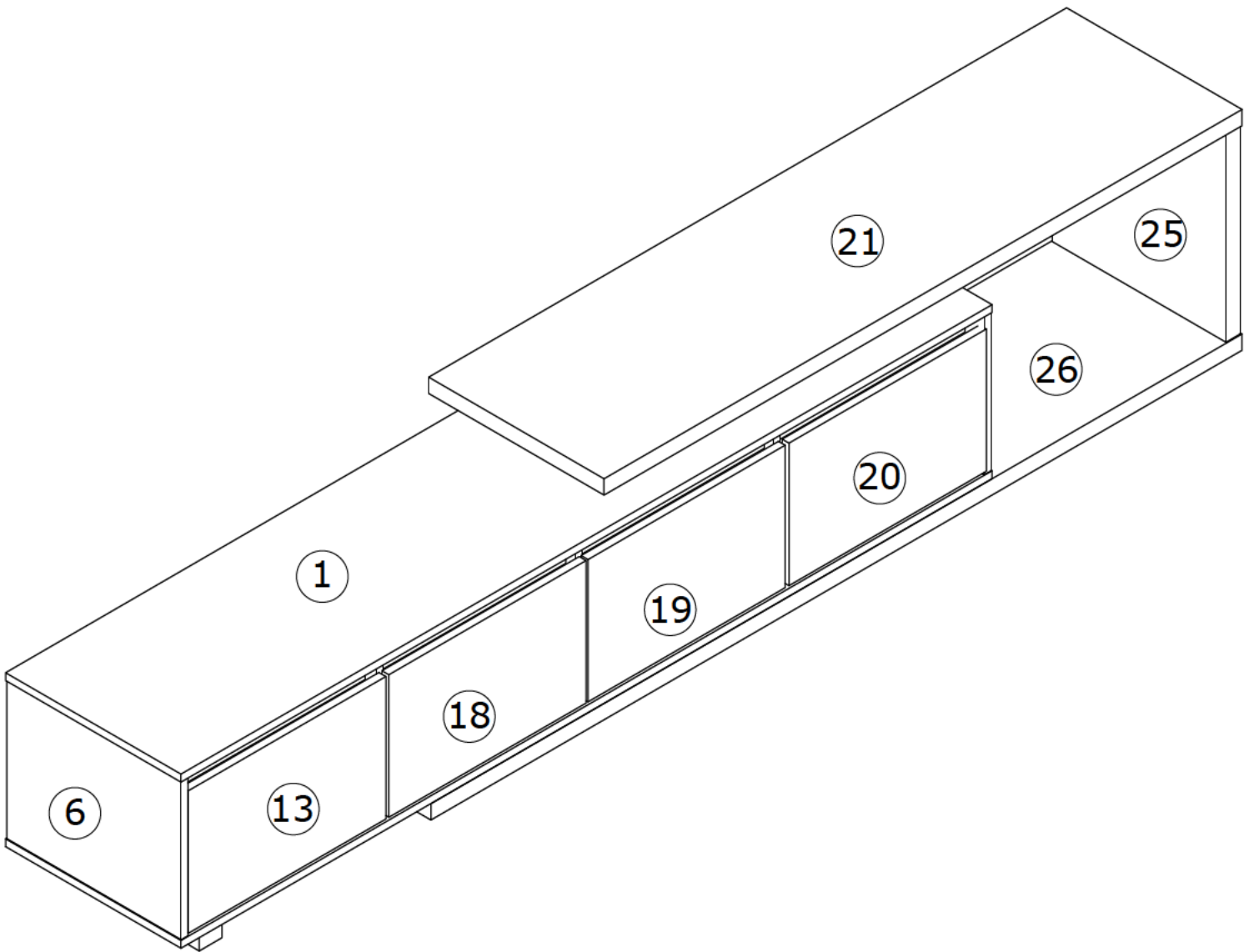


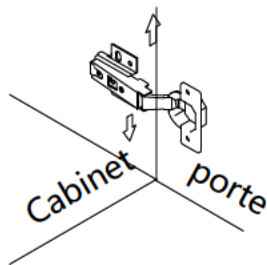
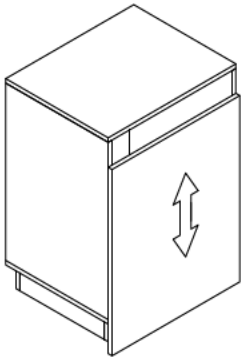
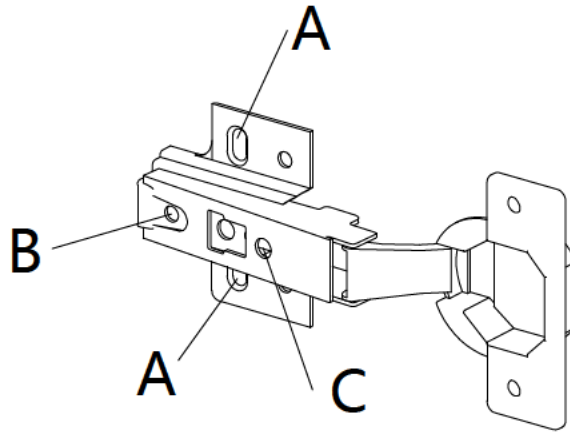
20

N x 8 	K x 14 	P x 36 	 
--	---	---	---



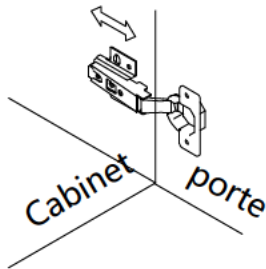
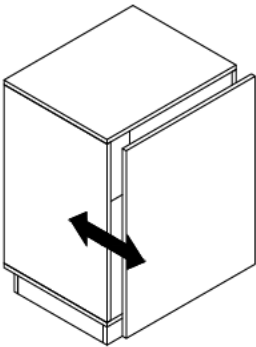
21





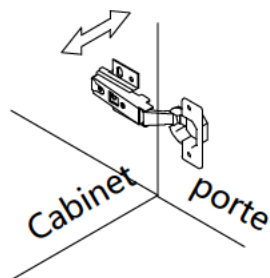
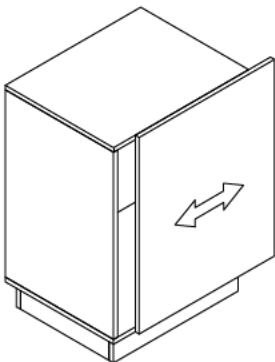
To adjust the vertical height.

Loosen the four screws "A" on both hinges. Two of them are usually in slotted holes which allows you to adjust up or down by a few mm. Then tighten back up.



To adjust depth.

Loosen screw "B" and adjust door, if the door can not be adjusted, please loosen screw "C", then try again. Tighten screw "B" and "C".

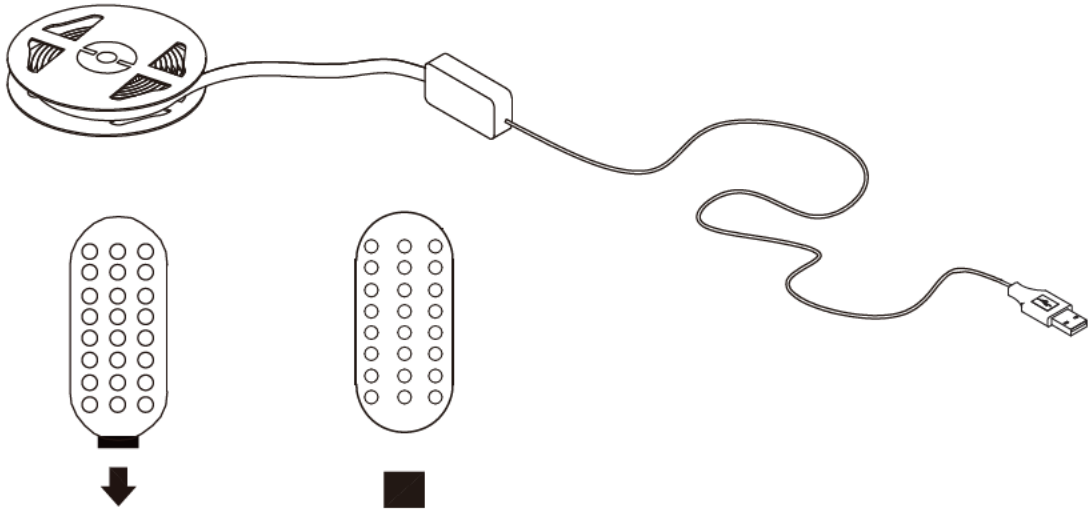


To adjust side ways.

Turning the screw "C" on BOTH hinges on each door.



-LED lamp with effective remote control distance of 5 meters



1. Take out the remote control gasket

## Remote control mode

	<p>In any state press these two keys to turn on/off the light strip.</p>
	<p>When light is on, press these two keys to reduce-or increase+brightness there are 10 brightness levels for adjustment.</p>
	<p>Press relevant keys to select particular colors</p>
	<p>Press this key to switch static colors There are 16 kinds for chosen.</p>