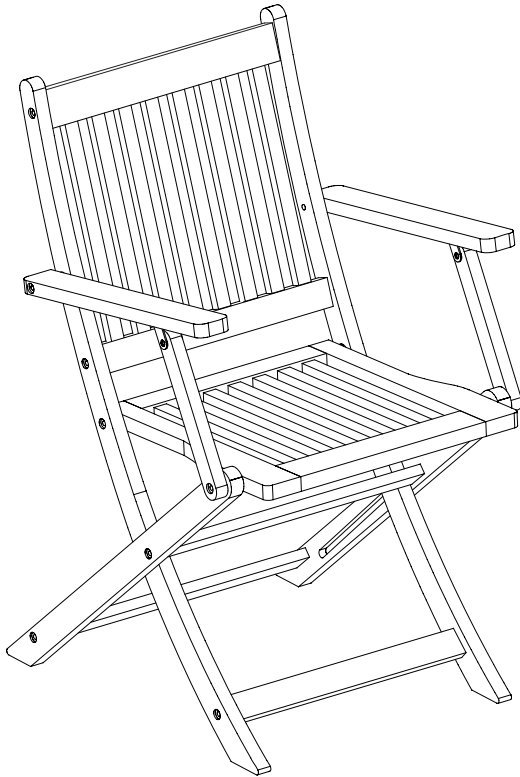


# Instruction Manual

## Ashby Folding Dining Armchair

### Set of 2, Natural Acacia



# CONTENTS

---

Safety and care advice	<b>1</b>
Components	<b>2</b>
Assembly instructions	<b>4</b>
Copyright	<b>10</b>

---

# ⚠ SAFETY AND CARE ADVICE ⚠

---

## PLEASE READ THESE INSTRUCTIONS CAREFULLY AND KEEP FOR FUTURE REFERENCE

- **Warning:** Please lift with care.
- Check you have all the components and tools listed on pages 2 and 3.
- Remove all fittings from the plastic bags and separate them into their groups.
- Keep children and animals away from the work area, small parts could choke if swallowed.
- Make sure you have enough space to lay out the parts before starting.
- Do not stand or put weight on the product, this could cause damage.
- Assemble the item as close to its final position (in the same room) as possible.
- Assemble on a soft level surface to avoid damaging the unit or your floor (use opened out unit carton).



- We do not recommend the use of power drill/drivers **for inserting screws**, as this could damage the unit. Only use hand screwdrivers.
- Dispose of all packaging carefully and responsibly.

## CARE AND MAINTENANCE

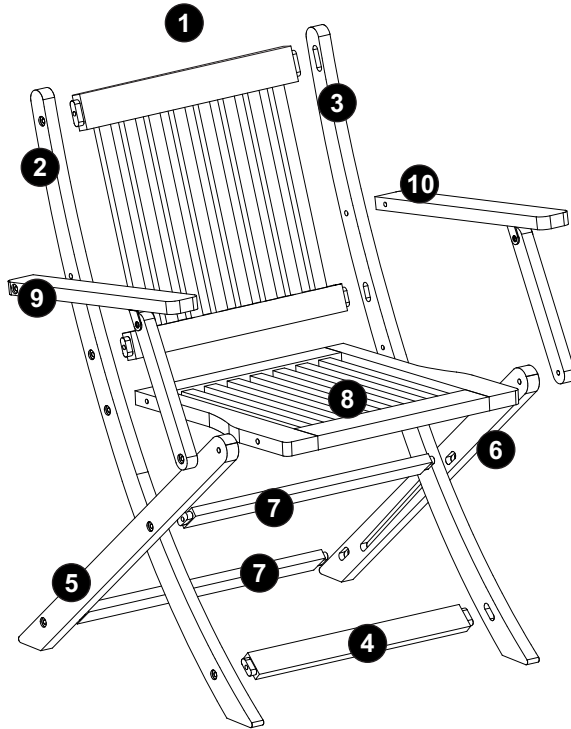
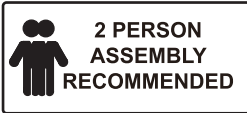
---

- Only clean using a damp cloth and mild detergent, do not use bleach or abrasive cleaners.
- From time to time check that there are no loose screws on this unit.
- This product should not be discarded with household waste. Take to your local authority waste disposal center.

**Note** *If required the next page can be cut out and used as reference throughout the assembly. Keep this page with these instructions for future reference.*

# COMPONENTS

Please check you have all the panels listed below:



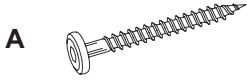
1. Backrest	x 1	6. Front leg 2	x 1
2. Back leg 1	x 1	7. Leg stretcher 2	x 2
3. Back leg 2	x 1	8. Seat	x 1
4. Leg stretcher 1	x 1	9. Armrest 1	x 1
5. Front leg 1	x 1	10. Armrest 2	x 1



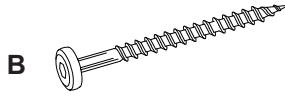
# COMPONENTS

---

Please check you have all the fittings listed below:



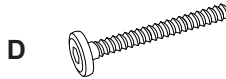
Screw ( $\Phi 7 \times 60 \text{mm}$ ) x 12



Screw ( $\Phi 7 \times 90 \text{mm}$ ) x 2



Washers ( $\Phi 8 / 18 \times 5 \text{mm}$ ) x 2



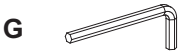
Bolt ( $\Phi 8 \times 50 \text{mm}$ ) x 2



Washers ( $\Phi 8 / 18 \times 2 \text{mm}$ ) x 8



Caps ( $\Phi 8 \times 15 \text{mm}$ ) x 2





Allen key x 2

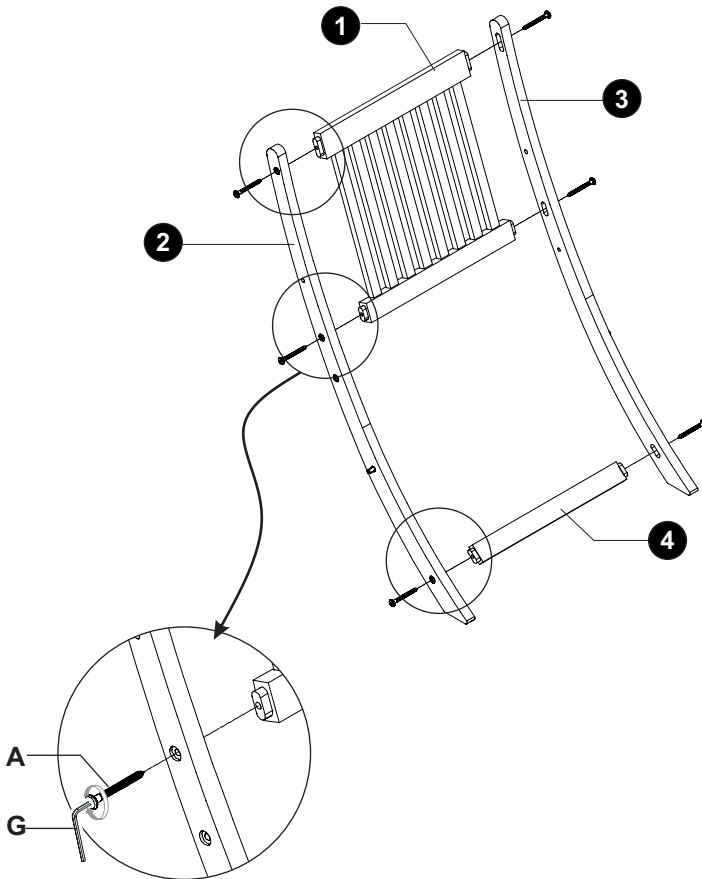


# ASSEMBLY INSTRUCTIONS

---



## Step 1

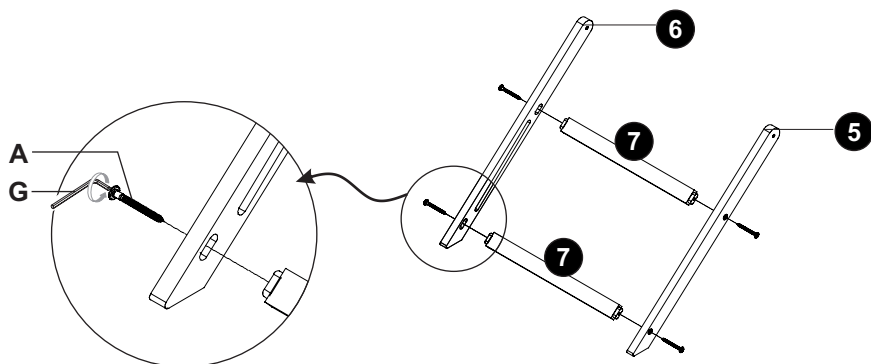
A		6	
G		1	






# ASSEMBLY INSTRUCTIONS

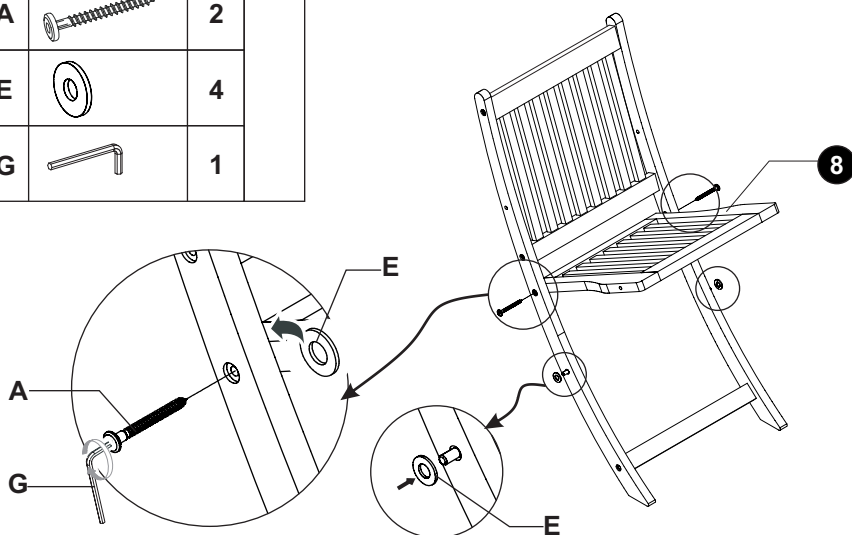
## Step 2

A		4	
G		1	



## Step 3

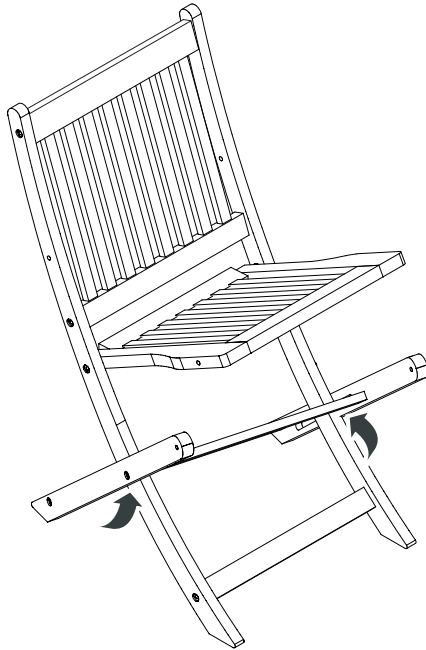
A		2	
E		4	
G		1	



# ASSEMBLY INSTRUCTIONS





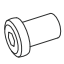

---

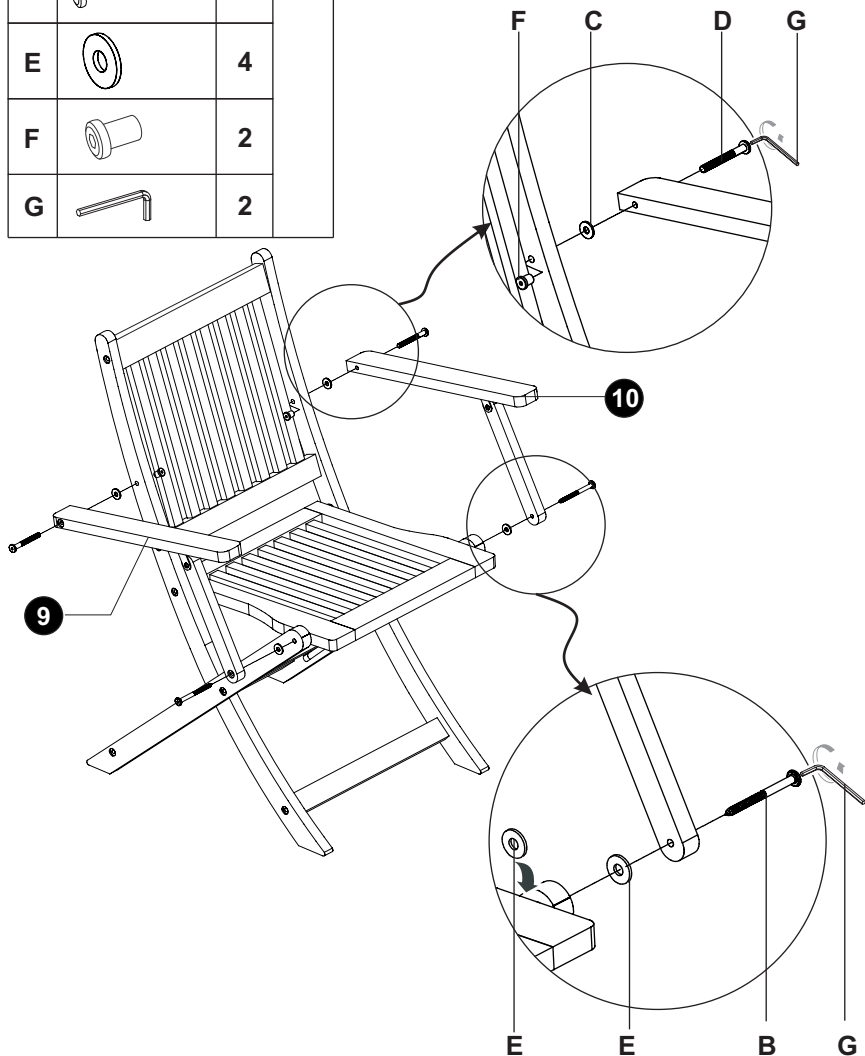
## Step 4



# ASSEMBLY INSTRUCTIONS

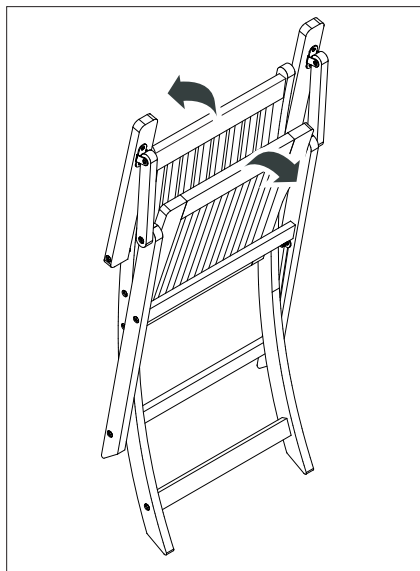
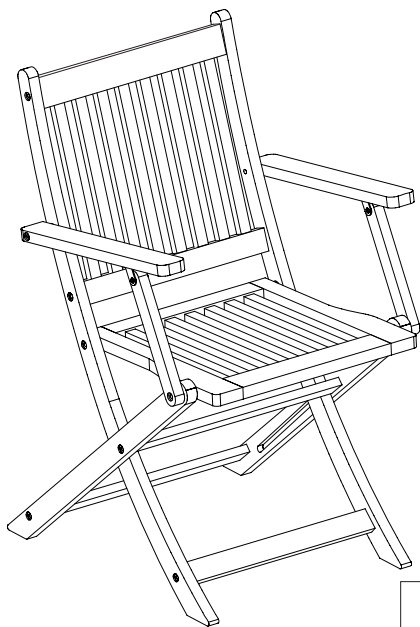
## Step 5

B		2
C		2
D		2
E		4
F		2
G		2



# ASSEMBLY INSTRUCTIONS

---



Congratulations! Now you have finished assembling the product.

## **IF YOU FIND A DEFECTIVE PART**

---

We fully stock all parts and components. Any defective part can be quickly replaced. Take note of the defective part number in manual and we will arrange a quick replacement.

You can email our team