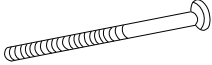
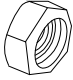





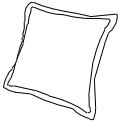
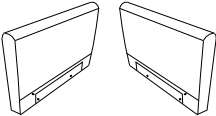


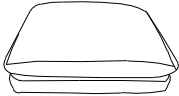
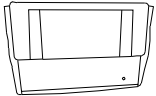
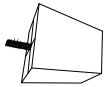

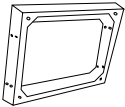

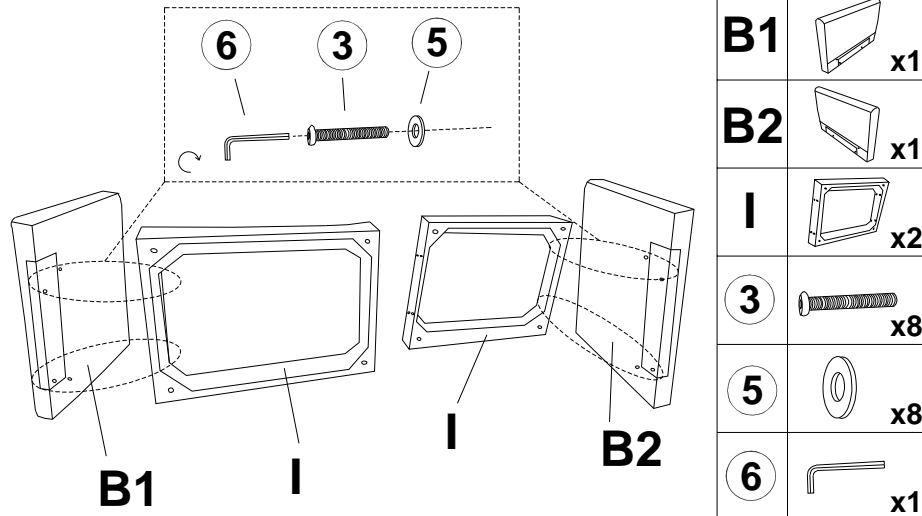


ASSEMBLY INSTRUCTIONS

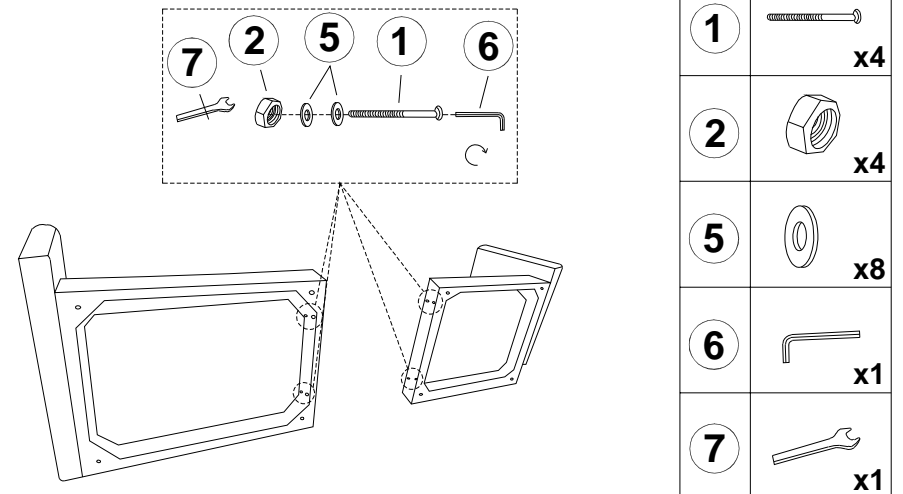
Take out of all the spare parts and check the quantity and specification before assembly

<p>①</p>  <p>M8*80</p>	<p>②</p>  <p>M8 nuts</p>	<p>③</p>  <p>M8*50</p>	<p>④</p>  <p>M8*30</p>
<p>4pcs</p>	<p>4pcs</p>	<p>8pcs</p>	<p>16pcs</p>
<p>⑤</p>  <p>M8</p>	<p>⑥</p>  <p>M6</p>	<p>⑦</p>  <p>M8</p>	
<p>24pcs</p>	<p>1pc</p>	<p>1pc</p>	
<p>A</p> 	<p>B1 B2</p> 	<p>C</p> 	<p>D</p> 
<p>2pcs</p>	<p>1pc</p>	<p>2pcs</p>	<p>2pcs</p>
<p>E</p> 	<p>F</p> 	<p>G</p> 	<p>H</p> 
<p>2pcs</p>	<p>2pcs</p>	<p>8pcs</p>	<p>8pcs</p>
<p>I</p> 	<p>J</p> 		
<p>2pcs</p>	<p>4pcs</p>		

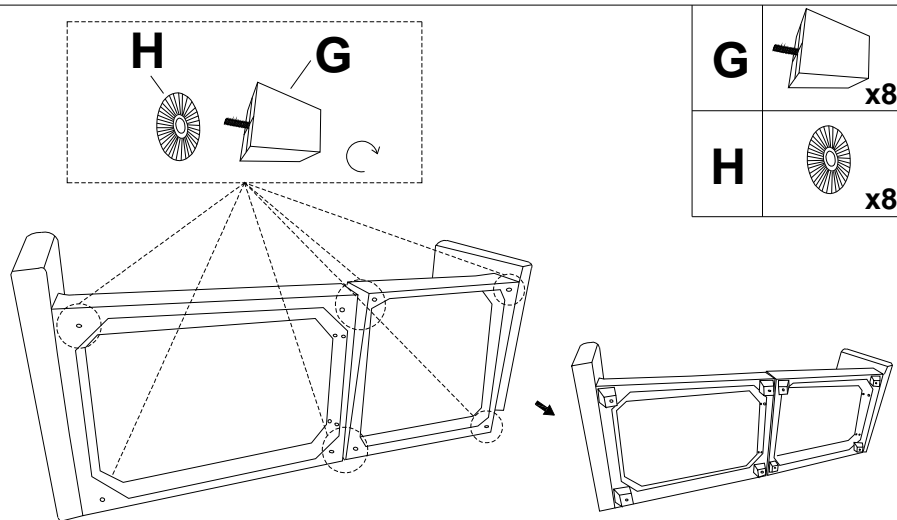
Step 1: Connect the armrests(B) to the seat frames(I)



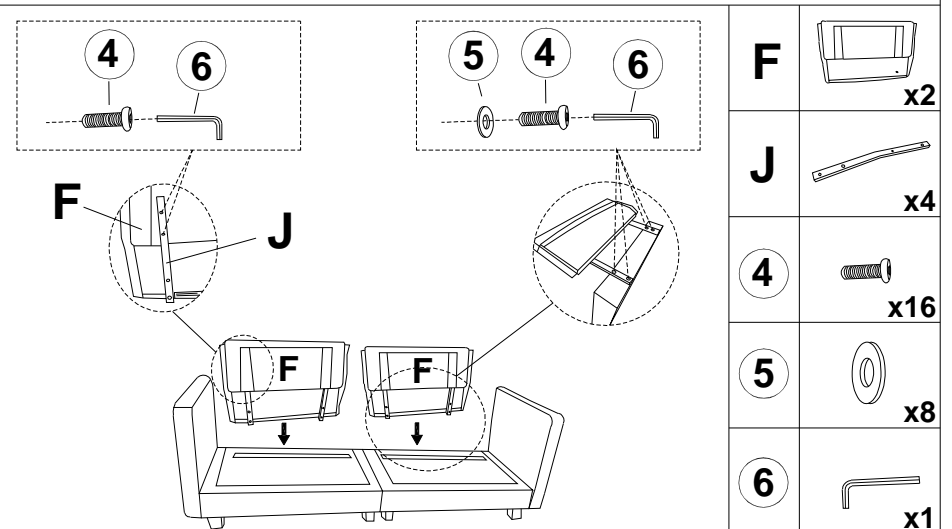
Step 2: Attach the right seat frame to the left seat frame



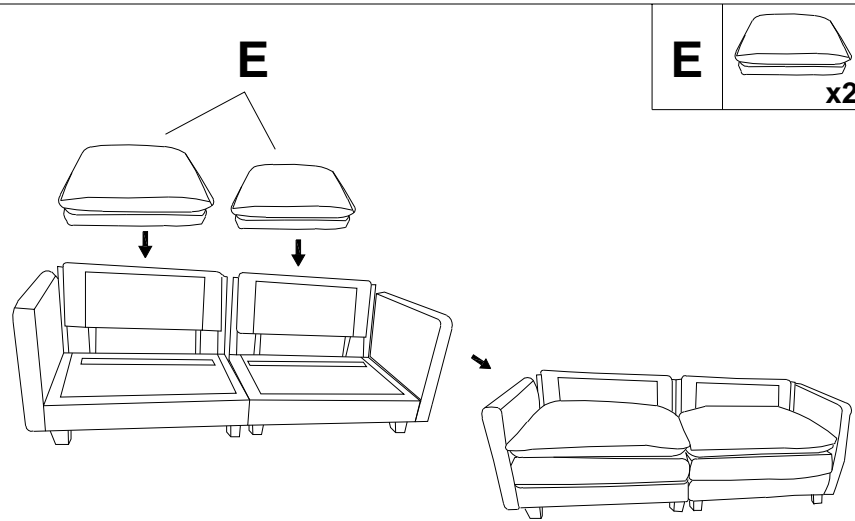
Step 3: Install the legs at the bottom of the seat frame



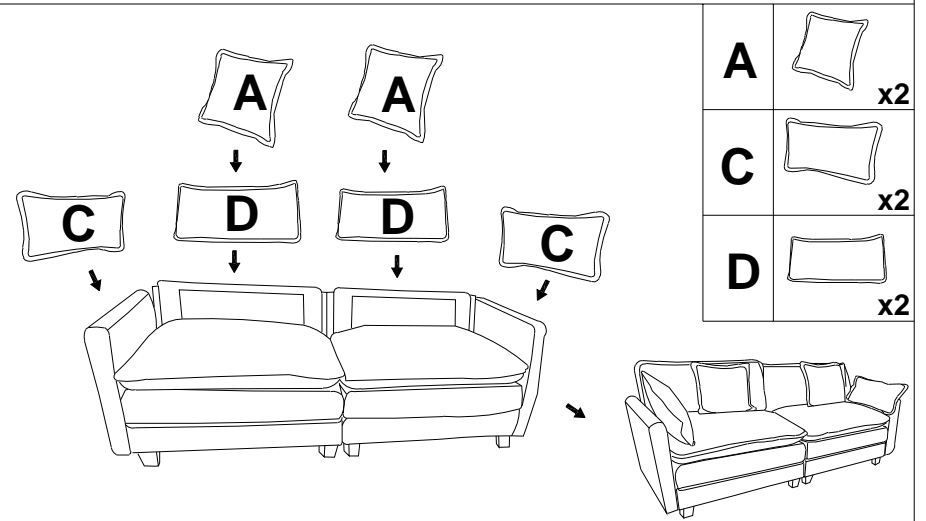
Step 4: Connect the backrests(F) to the seat frames correspondingly



Step 5: Put the cushions on the seats correctly

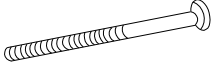
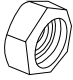





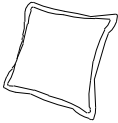
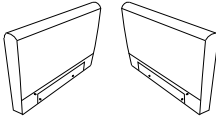

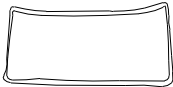
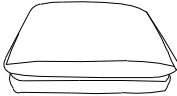
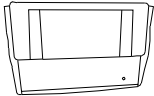
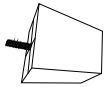

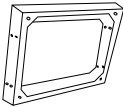

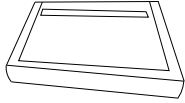
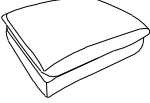


Step 6: Put the throw pillows on the sofas

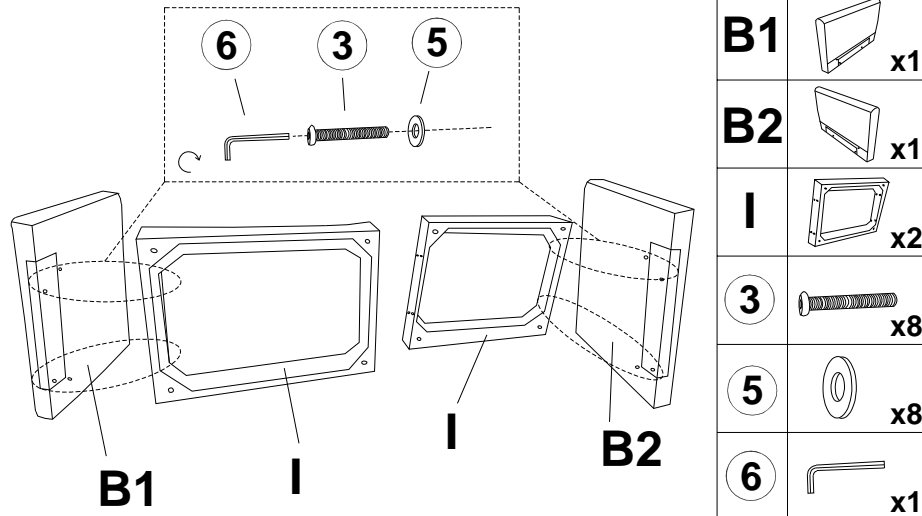


ASSEMBLY INSTRUCTIONS

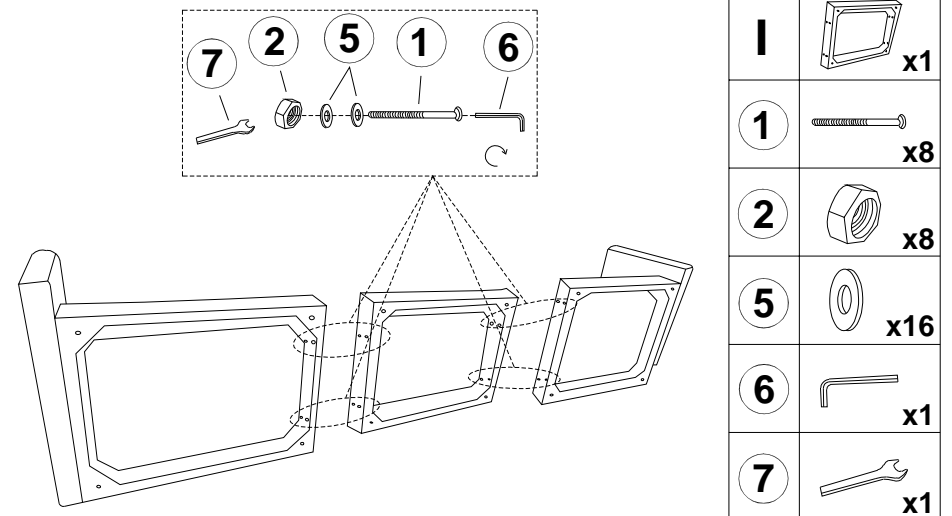
Take out of all the spare parts and check the quantity and specification before assembly

<p>①</p>  <p>M8*80</p>	<p>②</p>  <p>M8 nuts</p>	<p>③</p>  <p>M8*50</p>	<p>④</p>  <p>M8*30</p>
<p>8pcs</p>	<p>8pcs</p>	<p>8pcs</p>	<p>24pcs</p>
<p>⑤</p>  <p>M8</p>	<p>⑥</p>  <p>M6</p>	<p>⑦</p>  <p>M8</p>	
<p>36pcs</p>	<p>1pc</p>	<p>1pc</p>	
<p>A</p> 	<p>B1 B2</p> 	<p>C</p> 	<p>D</p> 
<p>3pcs</p>	<p>1pc</p>	<p>2pcs</p>	<p>3pcs</p>
<p>E</p> 	<p>F</p> 	<p>G</p> 	<p>H</p> 
<p>3pcs</p>	<p>3pcs</p>	<p>16pcs</p>	<p>16pcs</p>
<p>I</p> 	<p>J</p> 	<p>K</p> 	<p>L</p> 
<p>3pcs</p>	<p>6pcs</p>	<p>1pc</p>	<p>1pc</p>

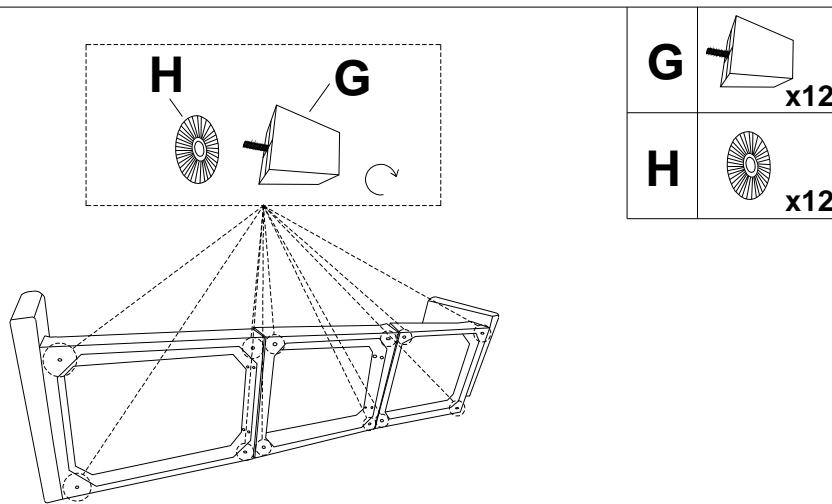
Step 1: Connect the armrests(B) to the seat frames(I)



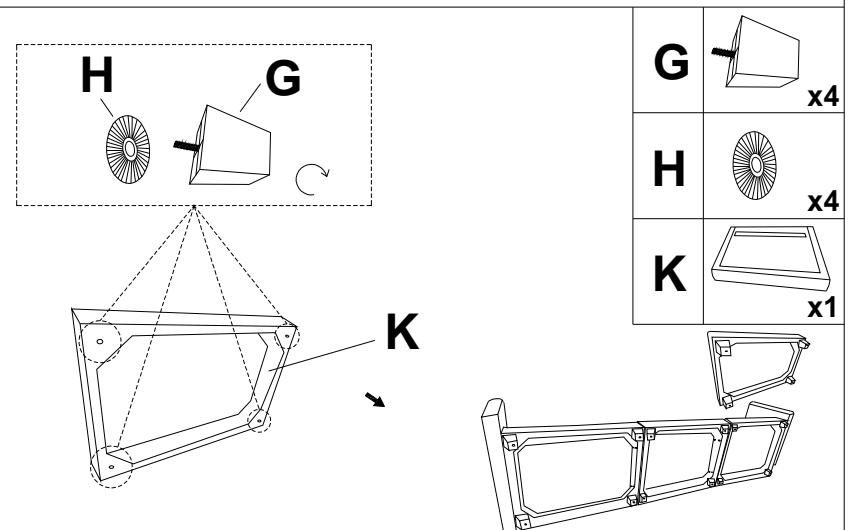
Step 2: Attach the seat frames together



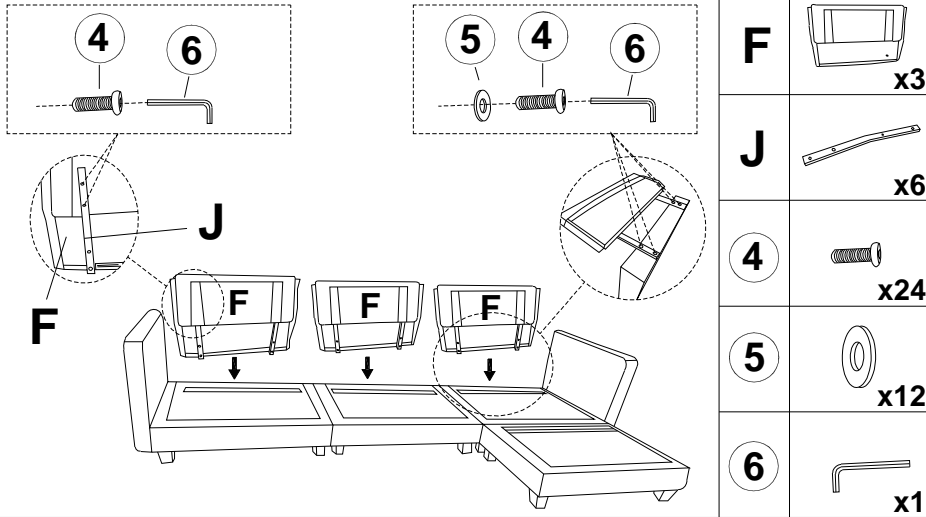
Step 3: Install the legs at the bottom of the seat frames



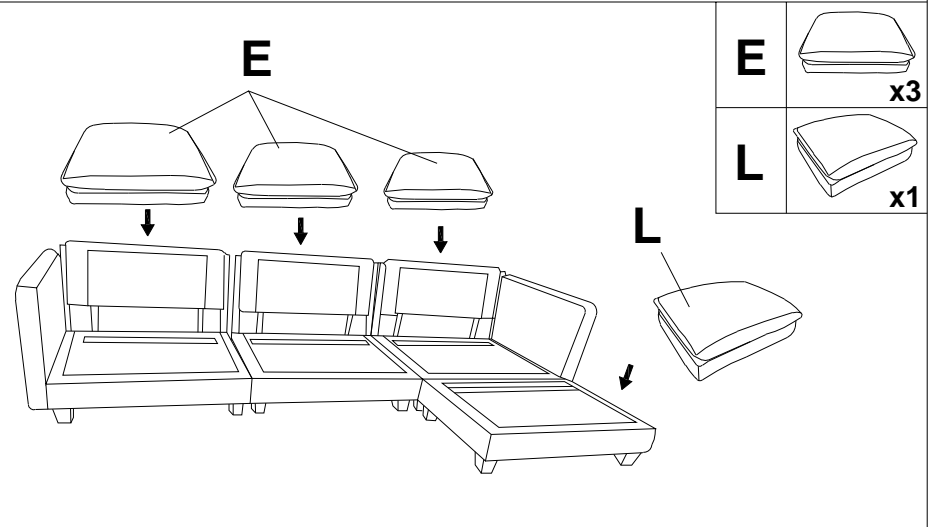
Step 4: Install the legs at the bottom of the ottoman



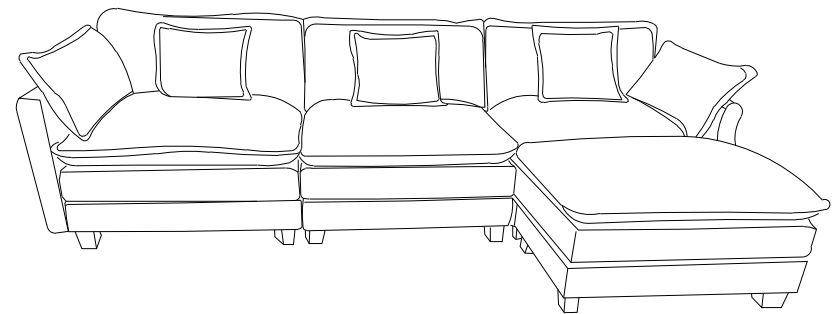
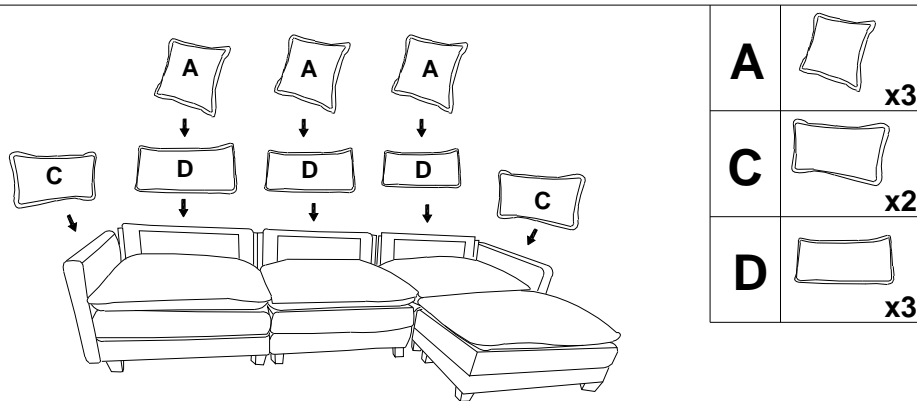
Step 5: Connect the backrests(F) to the seat frames correspondingly



Step 6: Put the cushions on the seats correctly

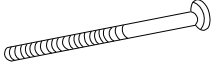
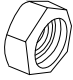





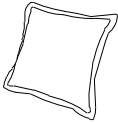
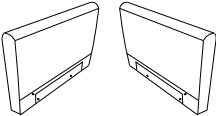


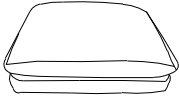
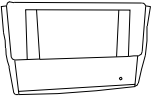
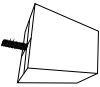

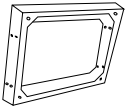


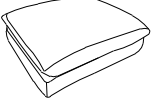


Step 7: Put the throw pillows on the sofas correspondingly

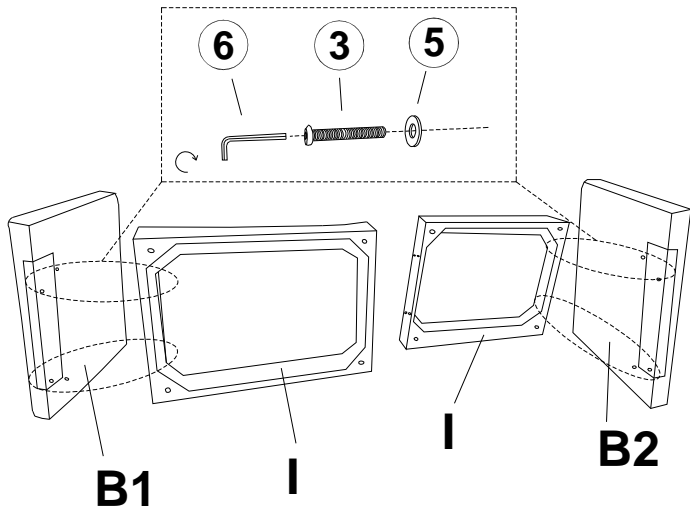


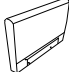
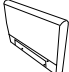
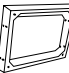



ASSEMBLY INSTRUCTIONS

Take out of all the spare parts and check the quantity and specification before assembly

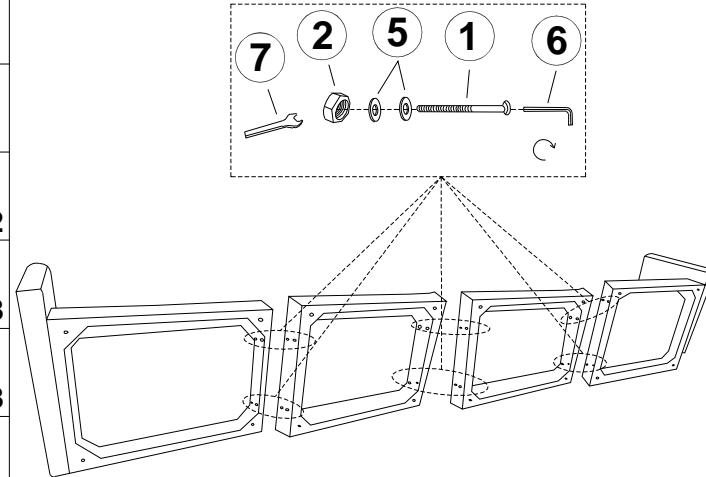
<p>①</p>  <p>M8*80</p>	<p>②</p>  <p>M8 nuts</p>	<p>③</p>  <p>M8*50</p>	<p>④</p>  <p>M8*30</p>
<p>12pcs</p>	<p>12pcs</p>	<p>8pcs</p>	<p>32pcs</p>
<p>⑤</p>  <p>M8</p>	<p>⑥</p>  <p>M6</p>	<p>⑦</p>  <p>M8</p>	
<p>48pcs</p>	<p>1pc</p>	<p>1pc</p>	
<p>A</p> 	<p>B1 B2</p> 	<p>C</p> 	<p>D</p> 
<p>4pcs</p>	<p>1pc</p>	<p>2pcs</p>	<p>4pcs</p>
<p>E</p> 	<p>F</p> 	<p>G</p> 	<p>H</p> 
<p>4pcs</p>	<p>4pcs</p>	<p>24pcs</p>	<p>24pcs</p>
<p>I</p> 	<p>J</p> 	<p>K</p> 	<p>L</p> 
<p>4pcs</p>	<p>8pcs</p>	<p>2pcs</p>	<p>2pcs</p>

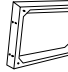





Step 1: Connect the armrests(B) to the seat frames(I)



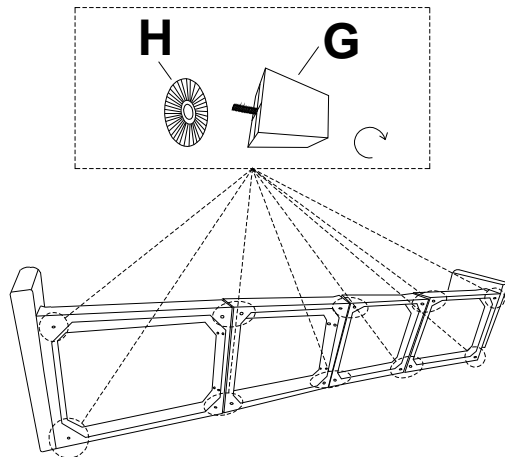
B1	 x1
B2	 x1
I	 x2
3	 x8
5	 x8
6	 x1

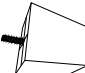

Step 2: Attach the seat frames together



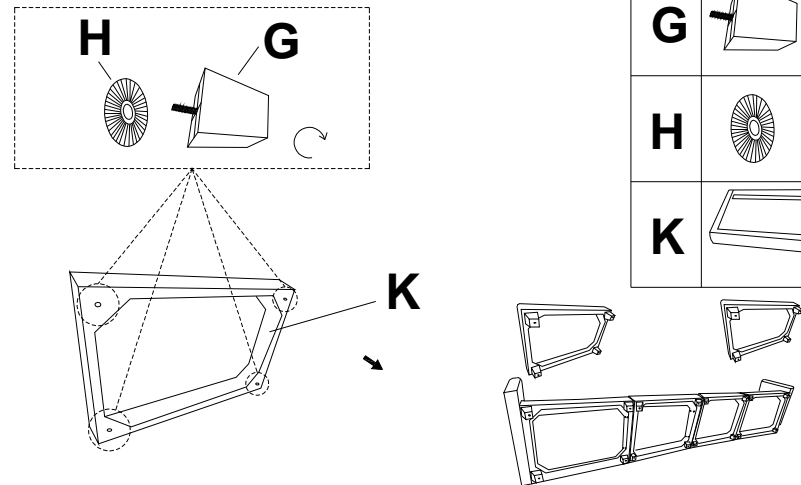
I	 x2
1	 x12
2	 x12
5	 x24
6	 x1
7	 x1

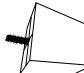

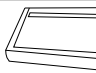
Step 3: Install the legs at the bottom of the seat frames



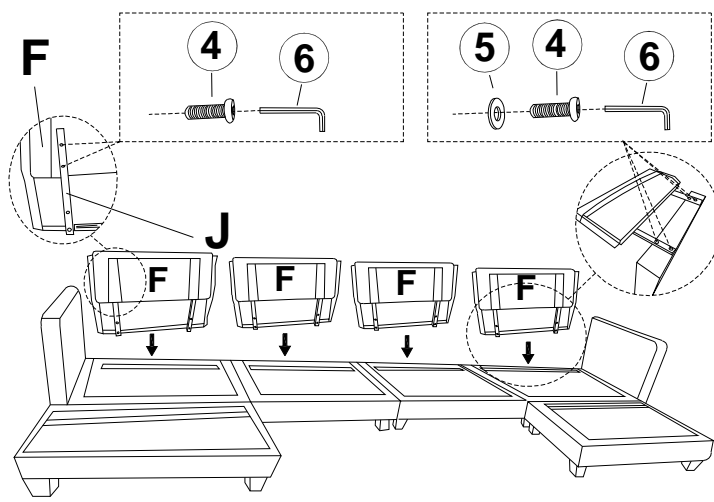
G	 x16
H	 x16

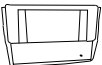




Step 4: Install the legs at the bottom of the ottoman



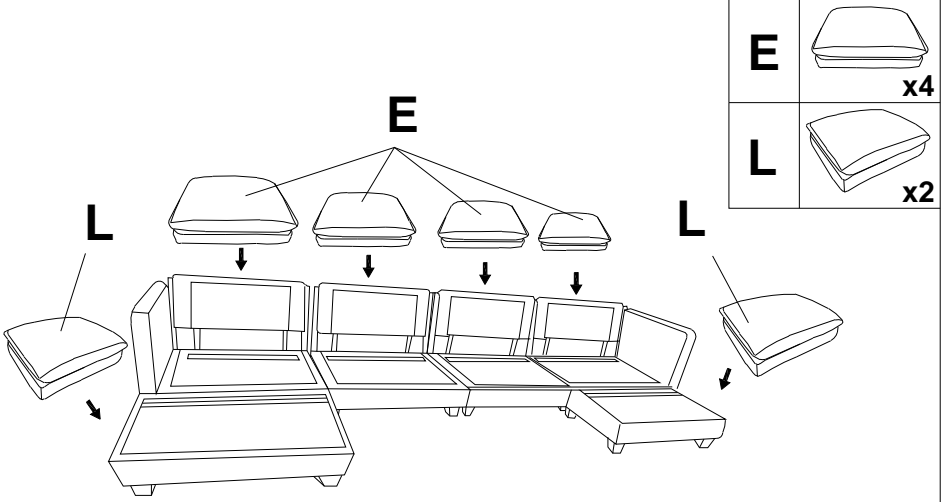
G	 x8
H	 x8
K	 x2



Step 5: Connect the backrests(F) to the seat frames correspondingly



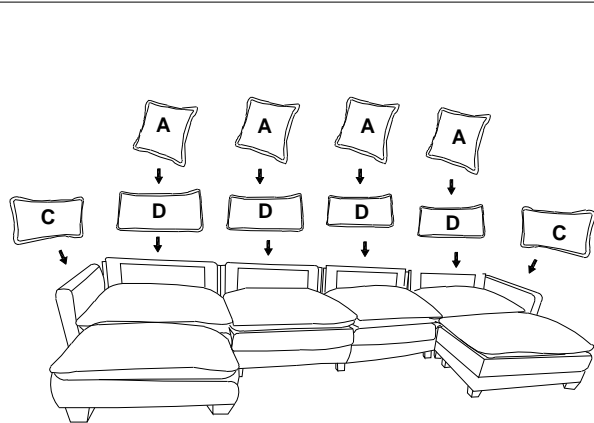
F		x4
J		x8
4		x32
5		x16
6		x1




Step 6: Put the cushions on the seats correctly



E		x4
L		x2

Step 7: Put the throw pillows on the sofas correspondingly



A		x4
C		x2
D		x4

