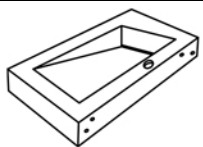


# PRODUCT ASSEMBLY INSTRUCTIONS

[ Product Model: FG-G09-900 (LTK) ]

## List :



Solid Surface Bathroom Sink



Bolt x4



Nut x4

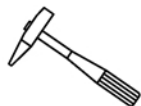


Metal Washer x4



Expansion sleeve x4

## Tools Required :



A



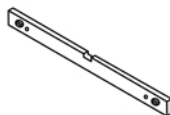
B



C



D



E



F

A Hammer

B Pencil

C Wrench

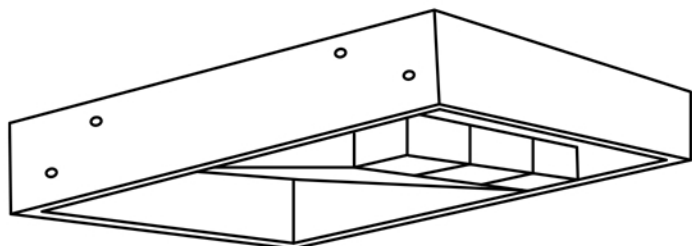
D Electrodrill

E Gradienter

F Steel tape

## Installation Steps : 1

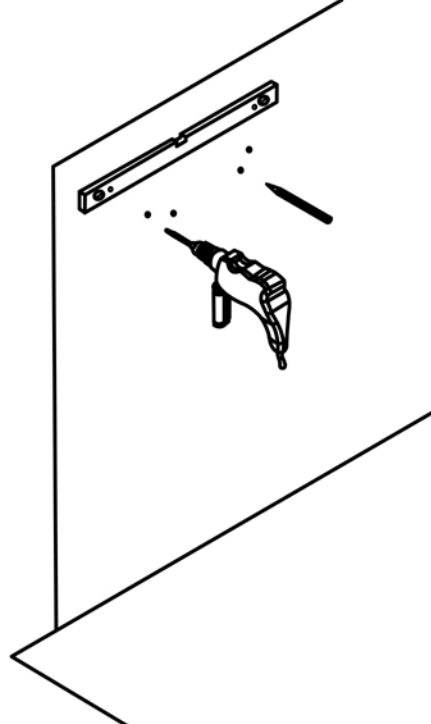
Determine the mounting holes based on the holes in the back of the basin and mark the wall with a pencil (33"-36" is preferred for countertop height).



[ The back of the product ]

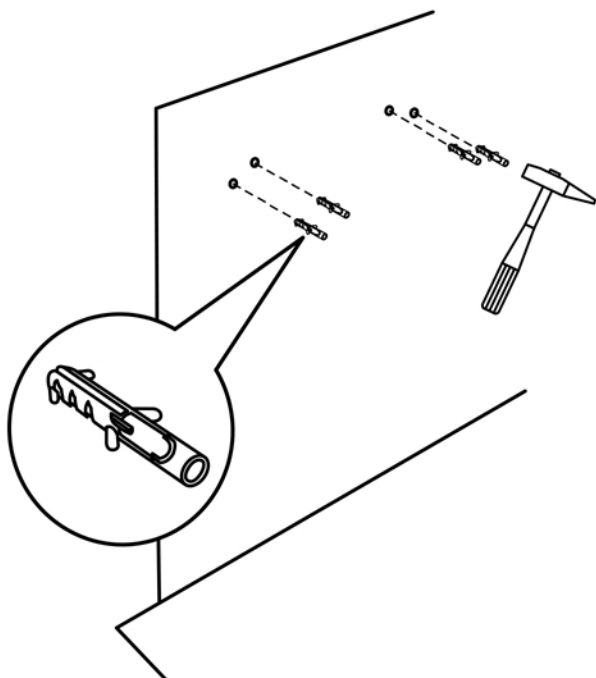
## Installation Steps : 2

Drill the hole at the mark with electric drill.



## Installation Steps : 3

Knock the white rubber plug of wall-hung accessories into pre-drilling hole with hammer.



## Installation Steps : 4

Hold the basin and use a spanner to lock the basin to the wall.

⚠ Pre-installation of bolts in the bolt holes of the basin.

