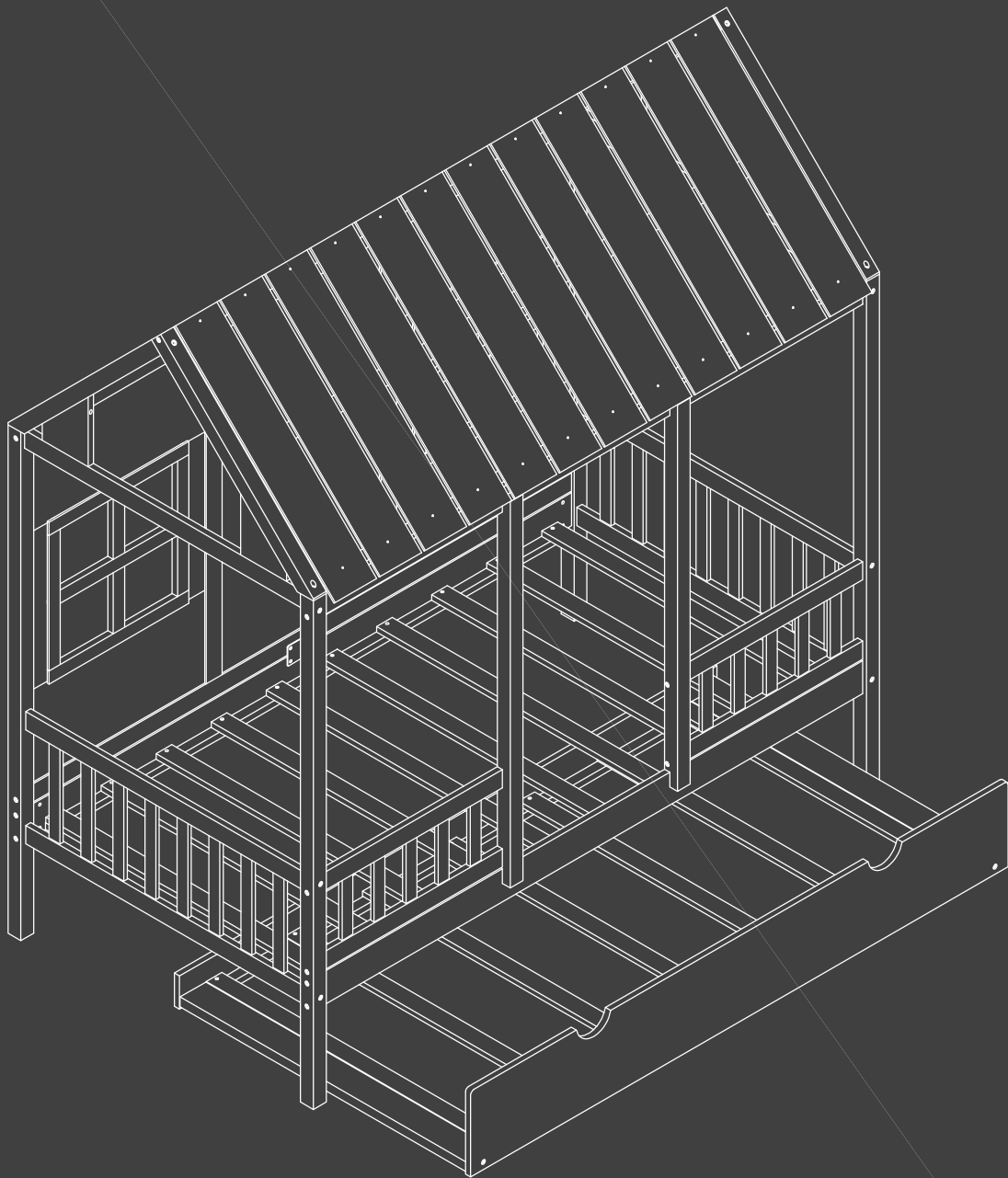


Bed Frame

Instruction Manual

MCJ-SD01-2T-WT-A,B

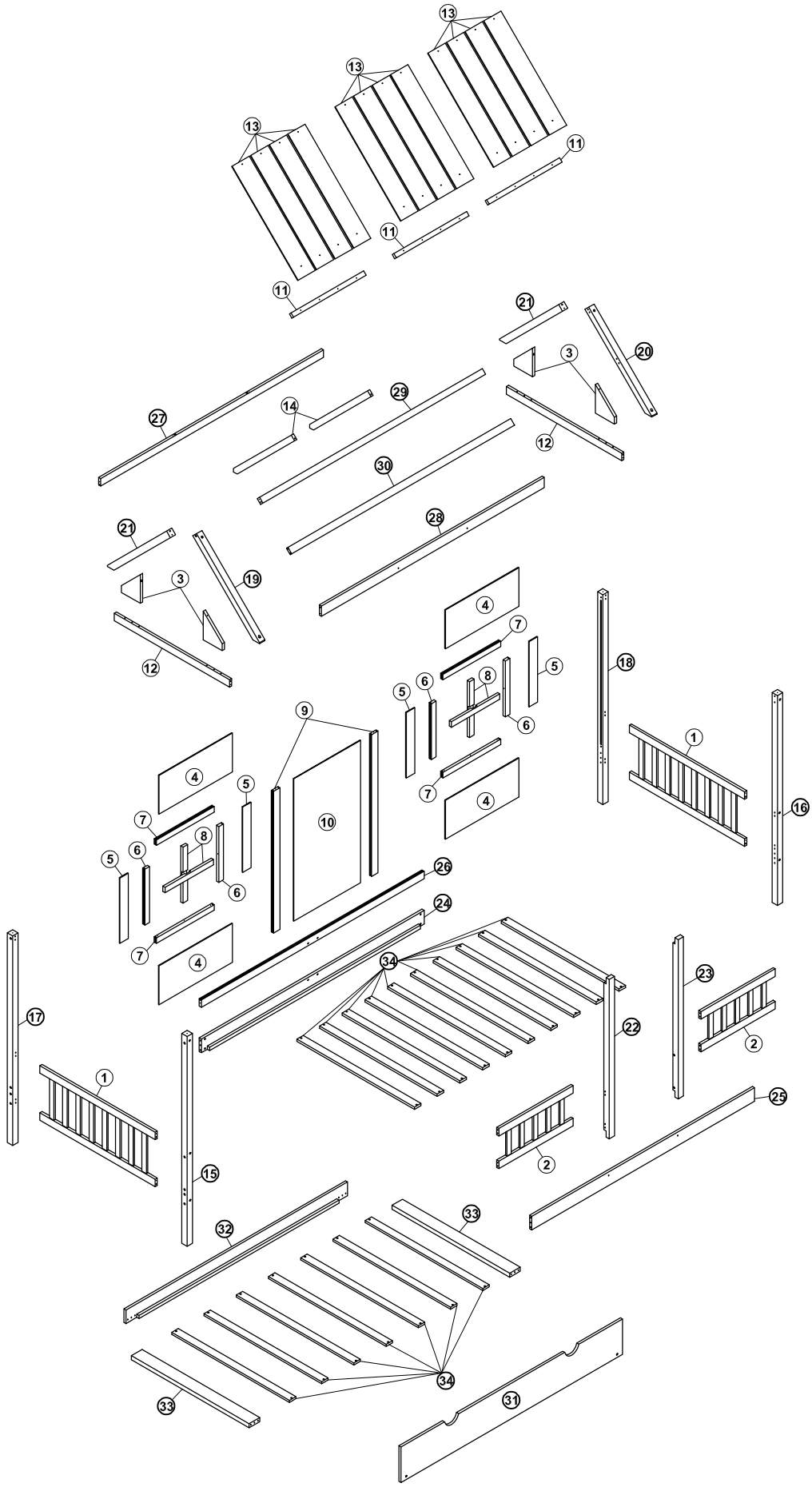


 EST 9:00AM--17:00PM

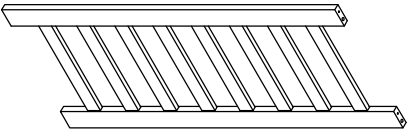
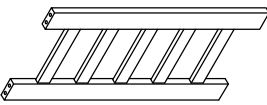
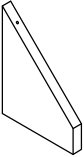
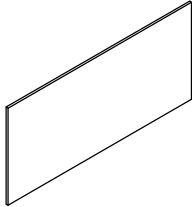
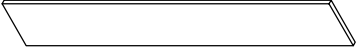
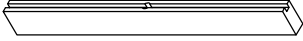
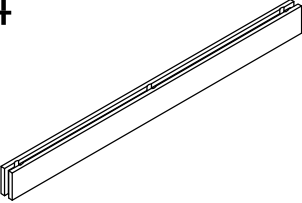




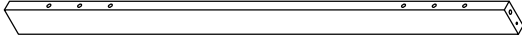


 HJ-Customer-Service@outlook.com

 (909)637-7665 | (909)637-7593

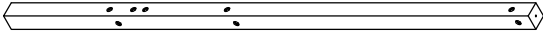
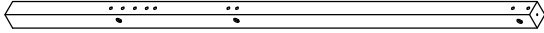
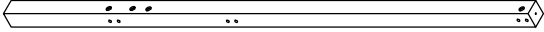
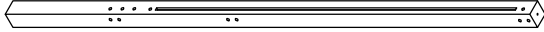
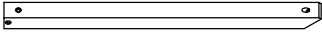
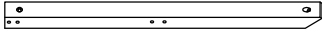
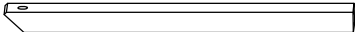
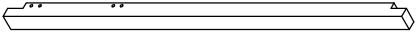
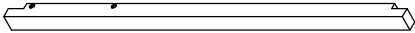
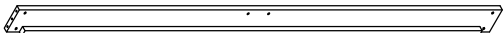

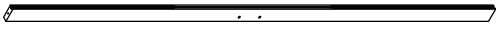

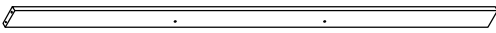
Detail:





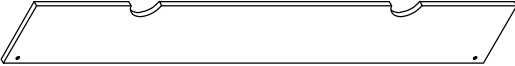
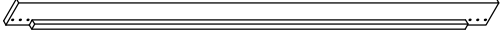
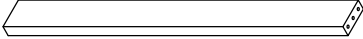
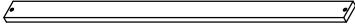
Part List (BOX1)

<p>① x2</p> 	<p>② x2</p> 
<p>③ x4</p> 	<p>④ x4</p> 
<p>⑤ x4</p> 	<p>⑥ x4</p> 
<p>⑦ x4</p> 	<p>⑧ x4</p> 
<p>⑨ x2</p> 	<p>⑩ x1</p> 
<p>⑪ x3</p> 	<p>⑫ x2</p> 
<p>⑬ x12</p> 	<p>⑭ x2</p> 


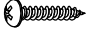

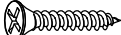
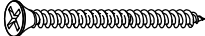

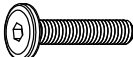
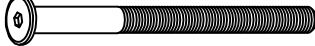




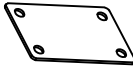
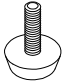

Part List (BOX2)

<p>①⑤ x1</p> 	<p>①⑥ x1</p> 
<p>①⑦ x1</p> 	<p>①⑧ x1</p> 
<p>①⑨ x1</p> 	<p>②⑩ x1</p> 
<p>②① x2</p> 	<p>②② x1</p> 
<p>②③ x1</p> 	<p>②④ x1</p> 
<p>②⑤ x1</p> 	<p>②⑥ x1</p> 
<p>②⑦ x1</p> 	<p>②⑧ x1</p> 

Part List (BOX2)

<p>②9 x1</p> 	<p>③0 x1</p> 
<p>③1 x1</p> 	<p>③2 x1</p> 
<p>③3 x2</p> 	<p>③4 x17</p> 

Hardware List

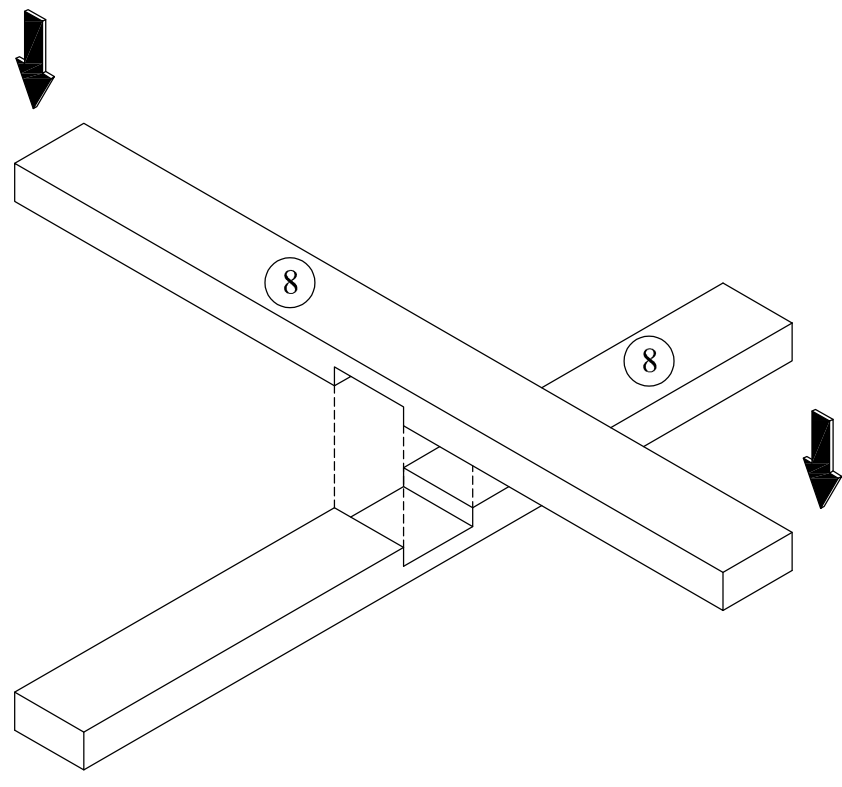
No.	OUTLOOK	DESC	QTY
A		Dowel Ø8*30mm	48pcs
B		Round head screw #8*15mm	24pcs
C		Flat head screw #7*12mm	8pcs
D		Flat head screw #8*25mm	34pcs
E		Flat head screw #8*50mm	24pcs
F		Bolts M6*15mm	4pcs
G		Bolts M6*30mm	4pcs
H		Bolts M6*90mm	8pcs
I		Cross dowel M6*13mm	8pcs
J		Screw M6*35mm	8pcs
K		Screw M6*70mm	38pcs
L		Allen key 60*22*4mm	1pc
M		Metal Plate 100*60*2mm	1pc
N		Leveler M6*15mm	2pcs
O		Wheel	4pcs

ASSEMBLY TOOLS REQUIRED (NOT INCLUDED)



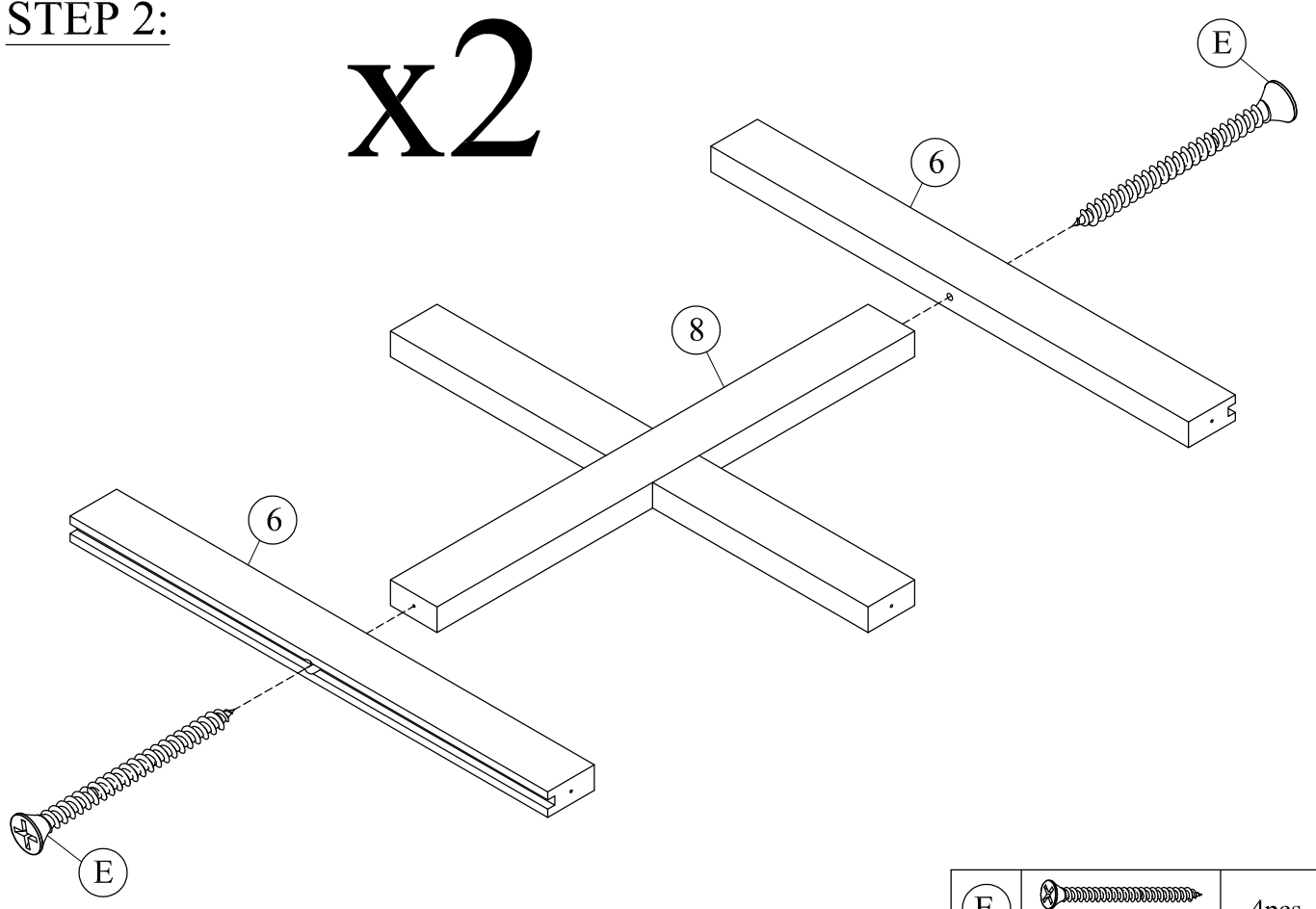
STEP 1:


x2



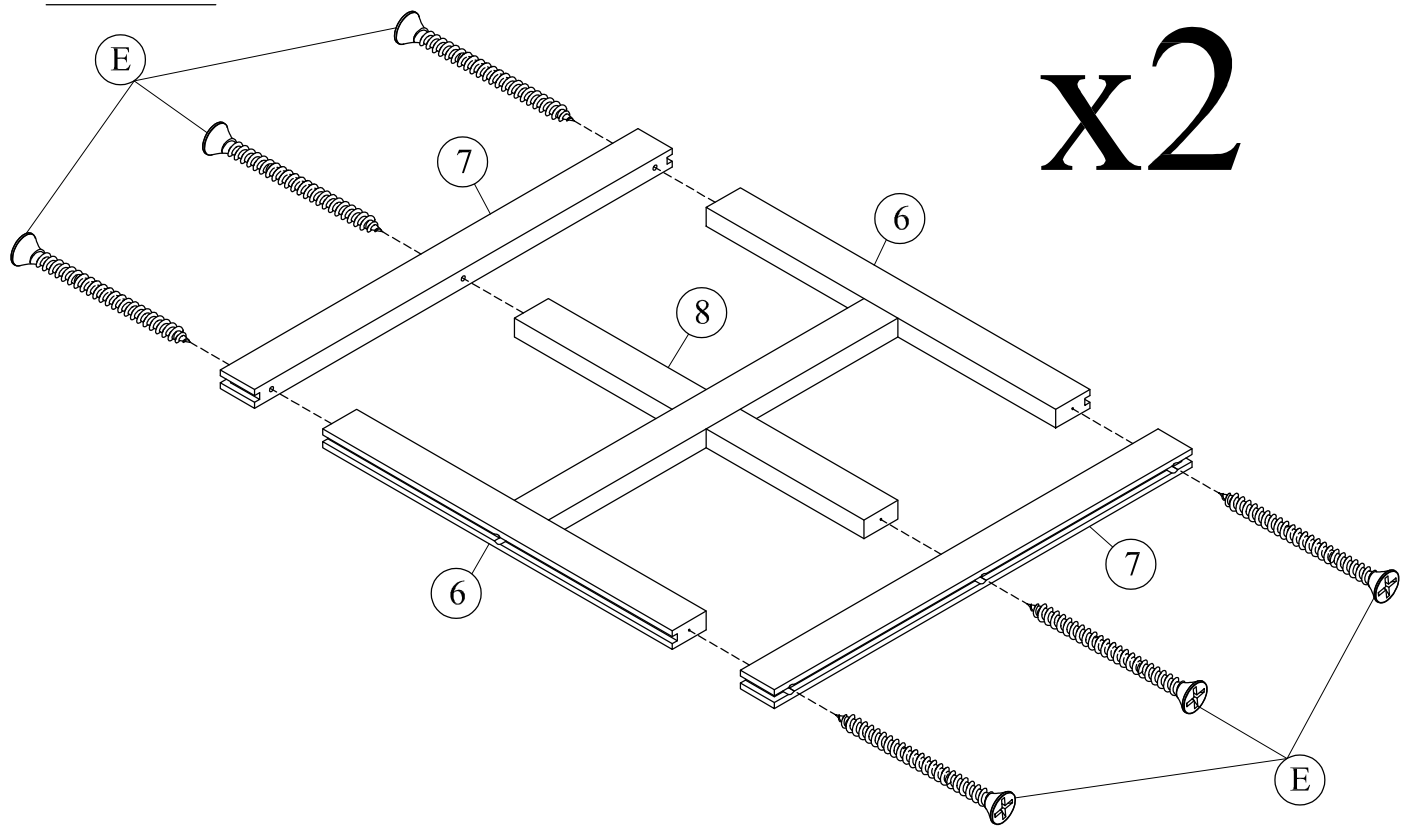
STEP 2:


x2



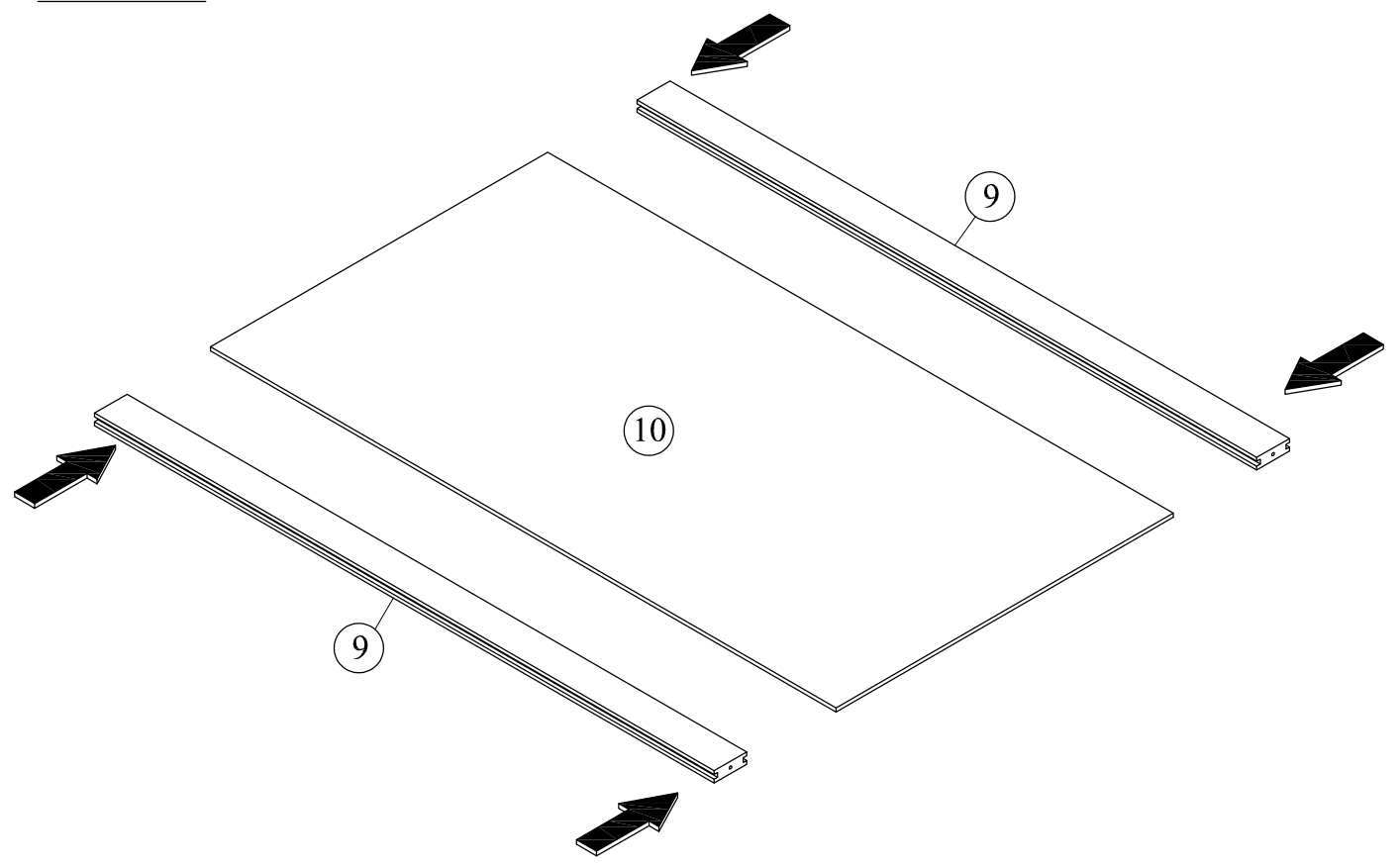
E	 #8*50mm	4pcs
---	--------------------------------------------------------------------------------------------------	------

STEP 3:

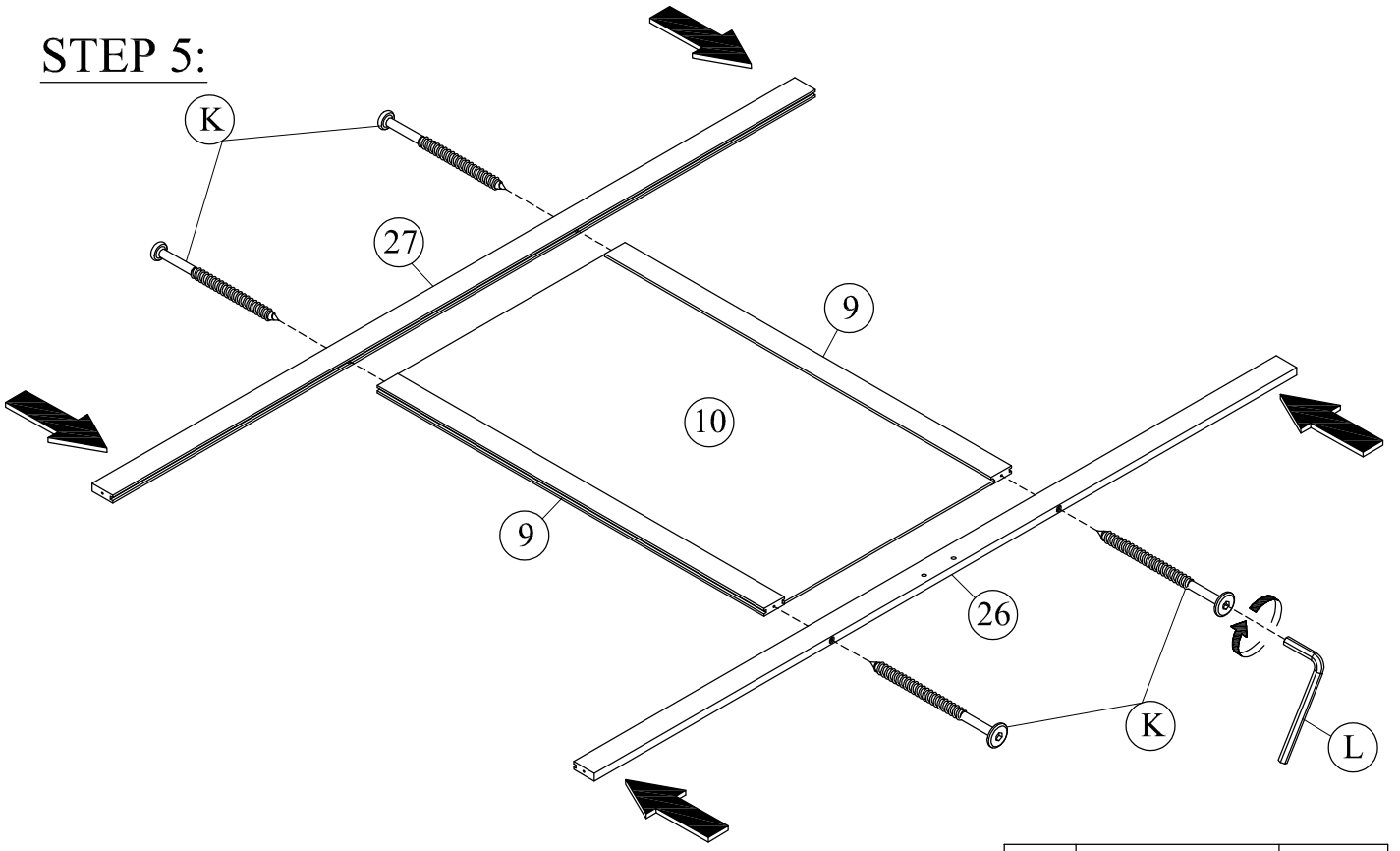


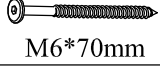

E	 #8*50mm	12pcs
---	--------------------------------------------------------------------------------------------------	-------

STEP 4:

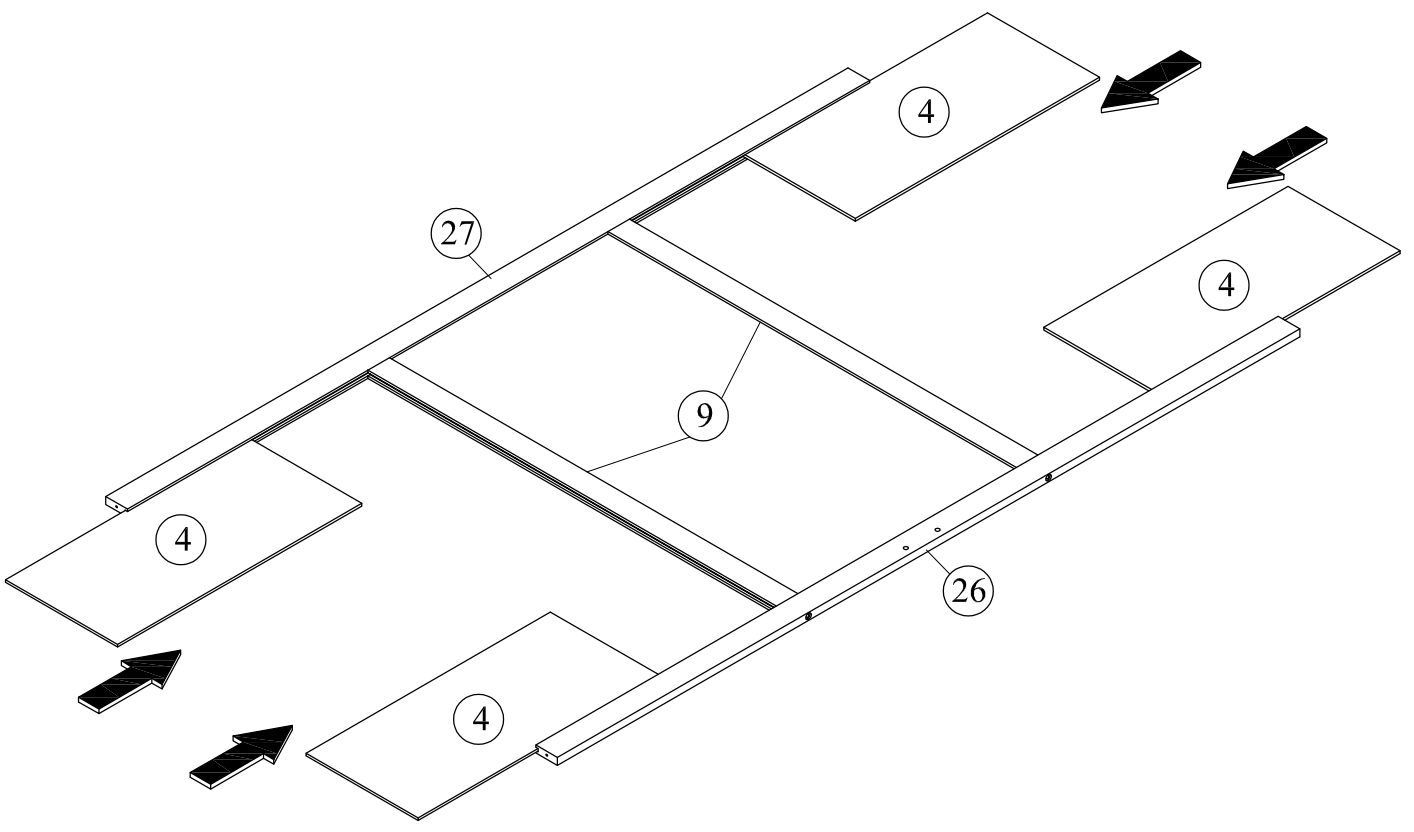


STEP 5:

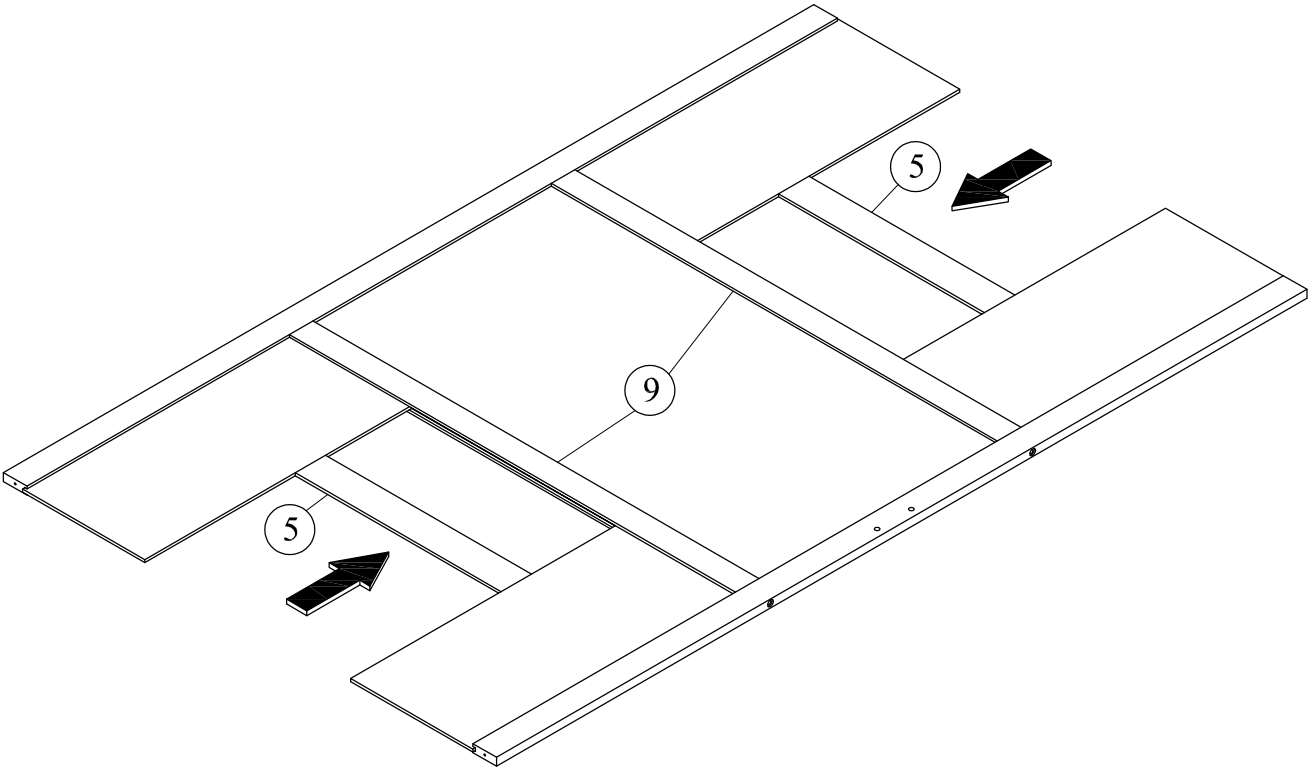


(K)	 M6*70mm	4pcs
(L)		1pc

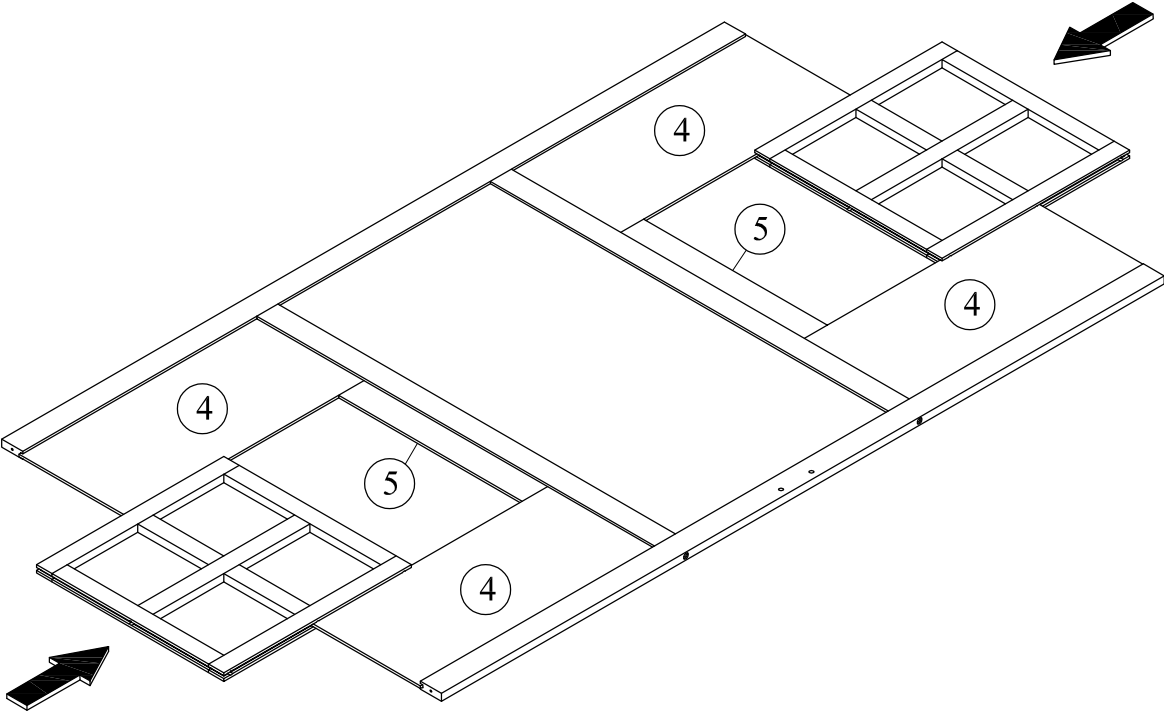
STEP 6:



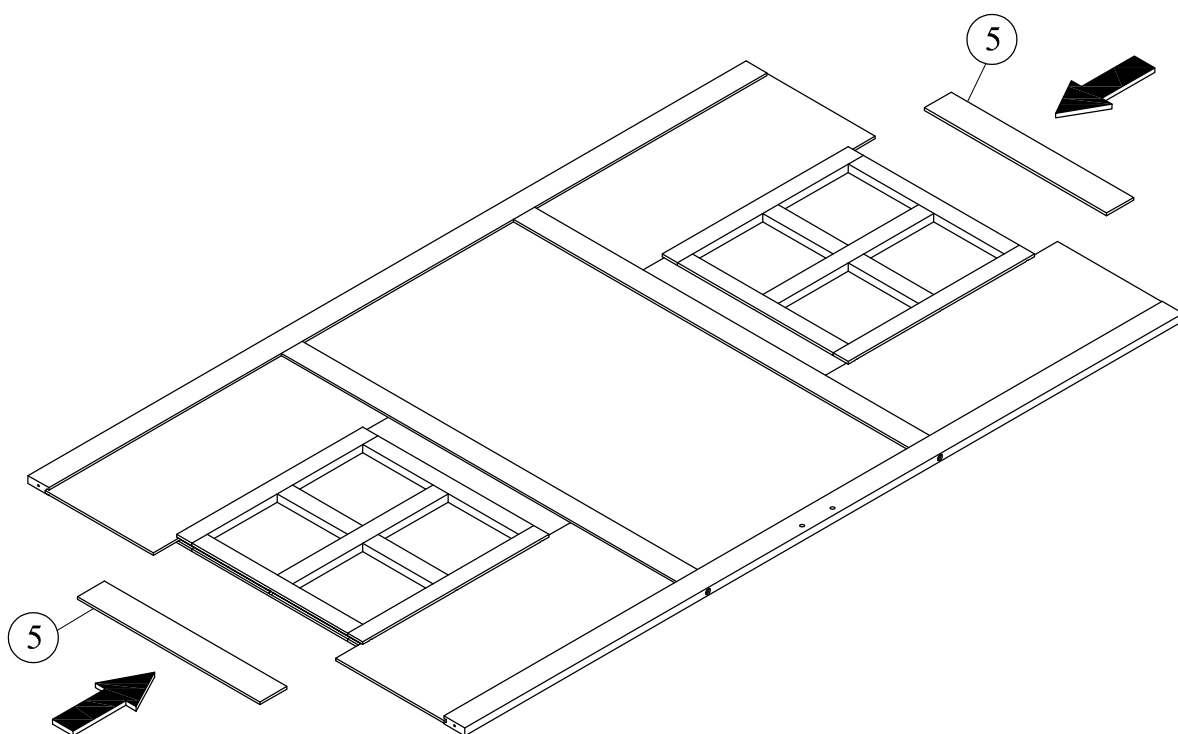
STEP 7:



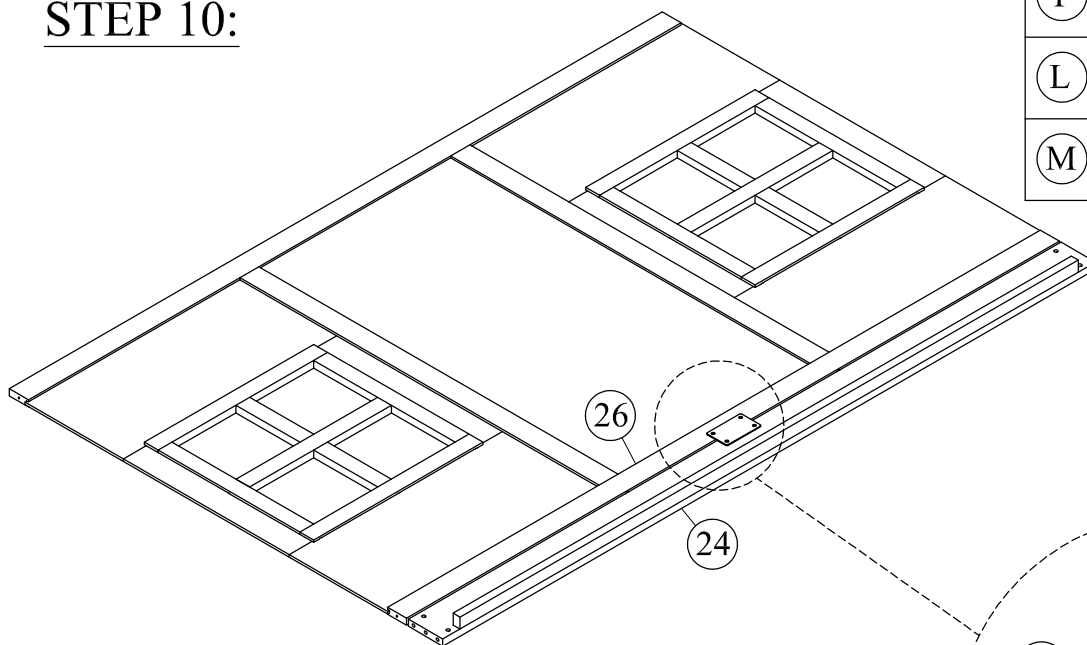
STEP 8:



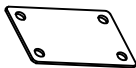


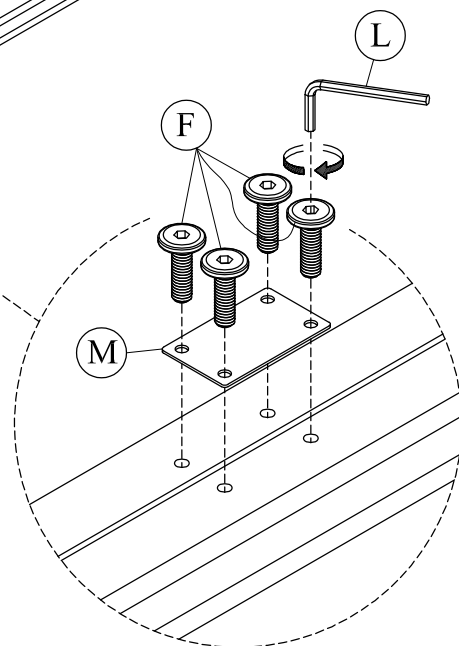
STEP 9:



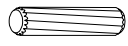




STEP 10:

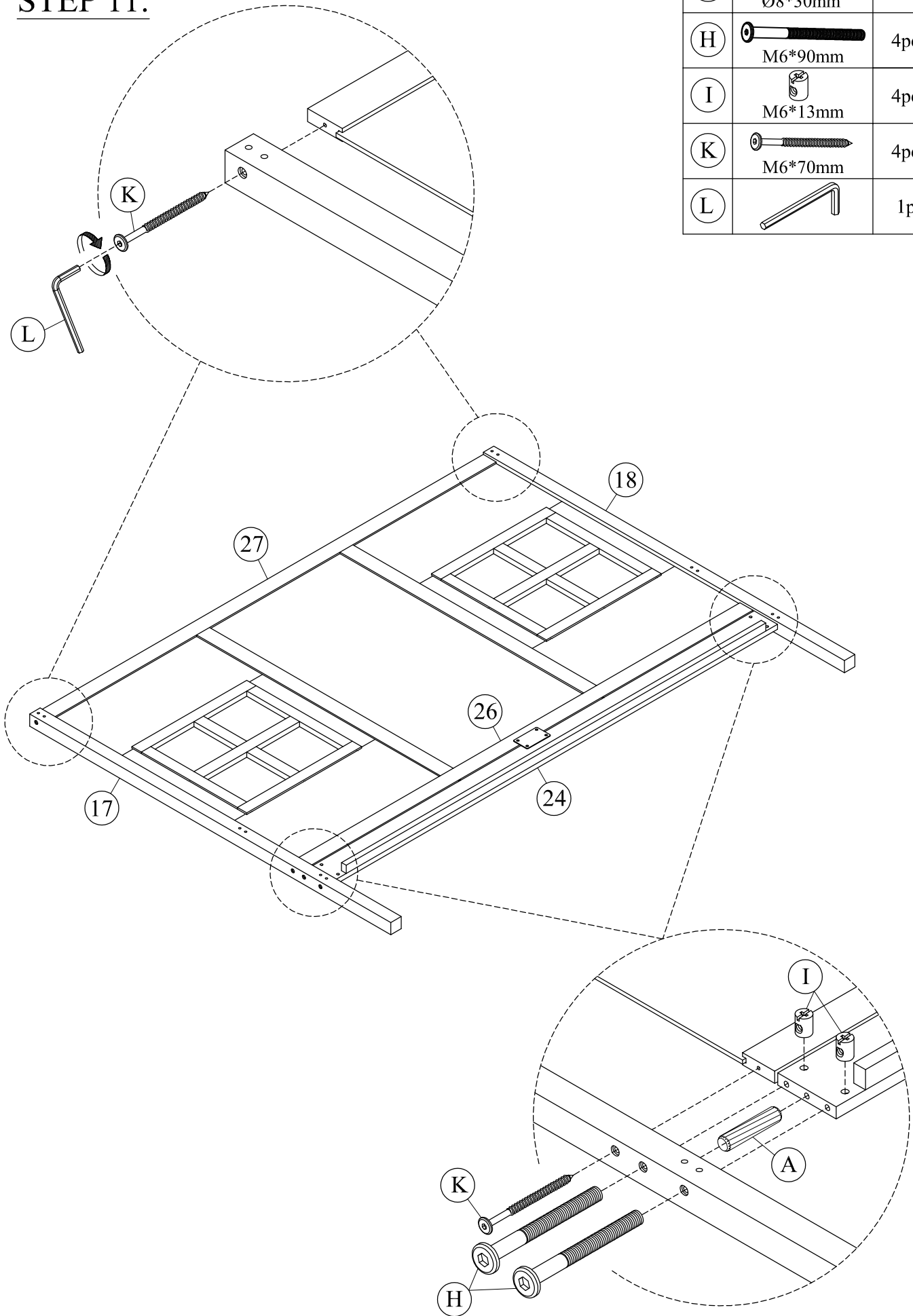


(F)	 M6*15mm	4pcs
(L)		1pc
(M)		1pc

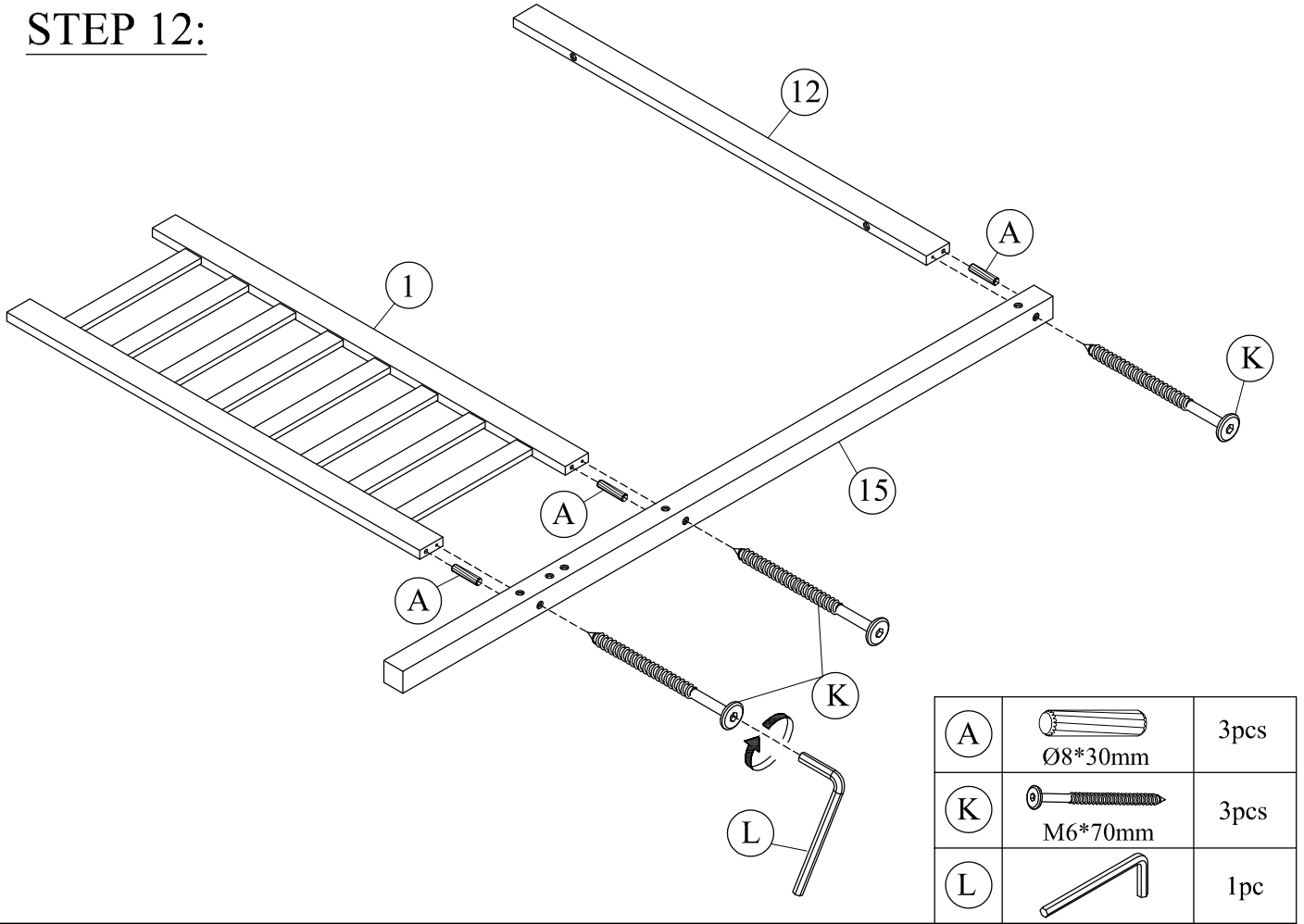


STEP 11:

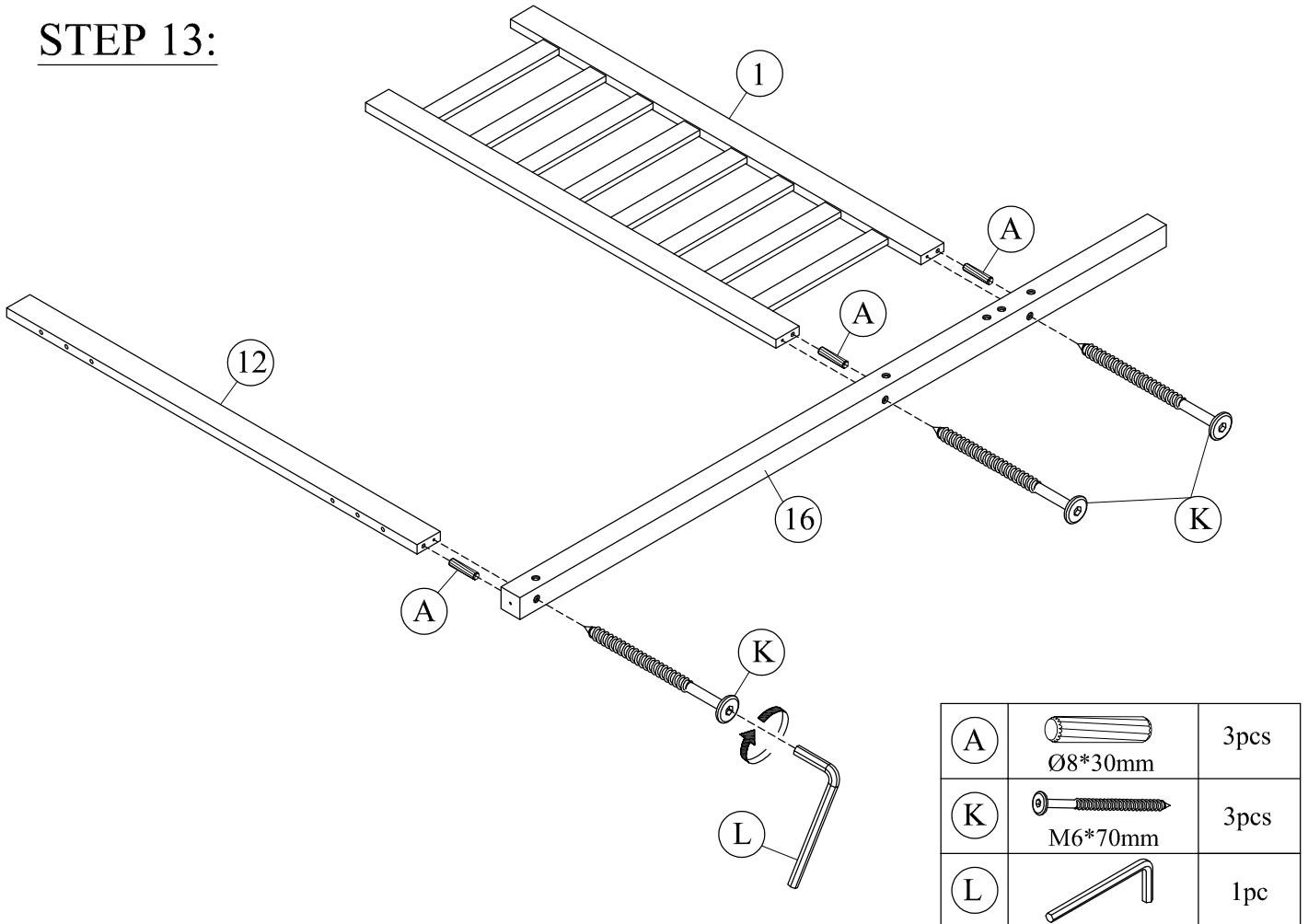
(A)	 Ø8*30mm	2pcs
(H)	 M6*90mm	4pcs
(I)	 M6*13mm	4pcs
(K)	 M6*70mm	4pcs
(L)		1pc



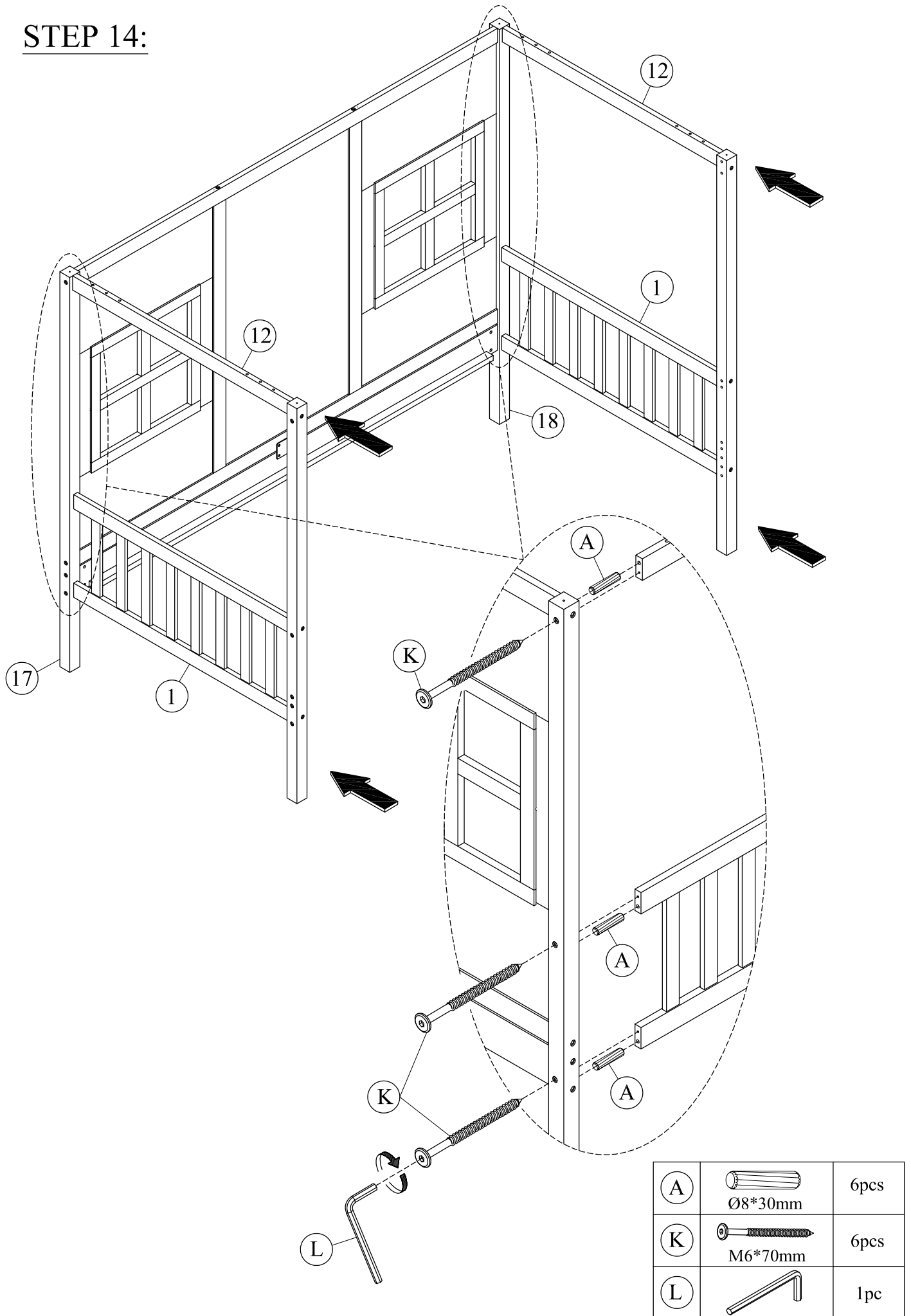
STEP 12:



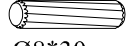




STEP 13:

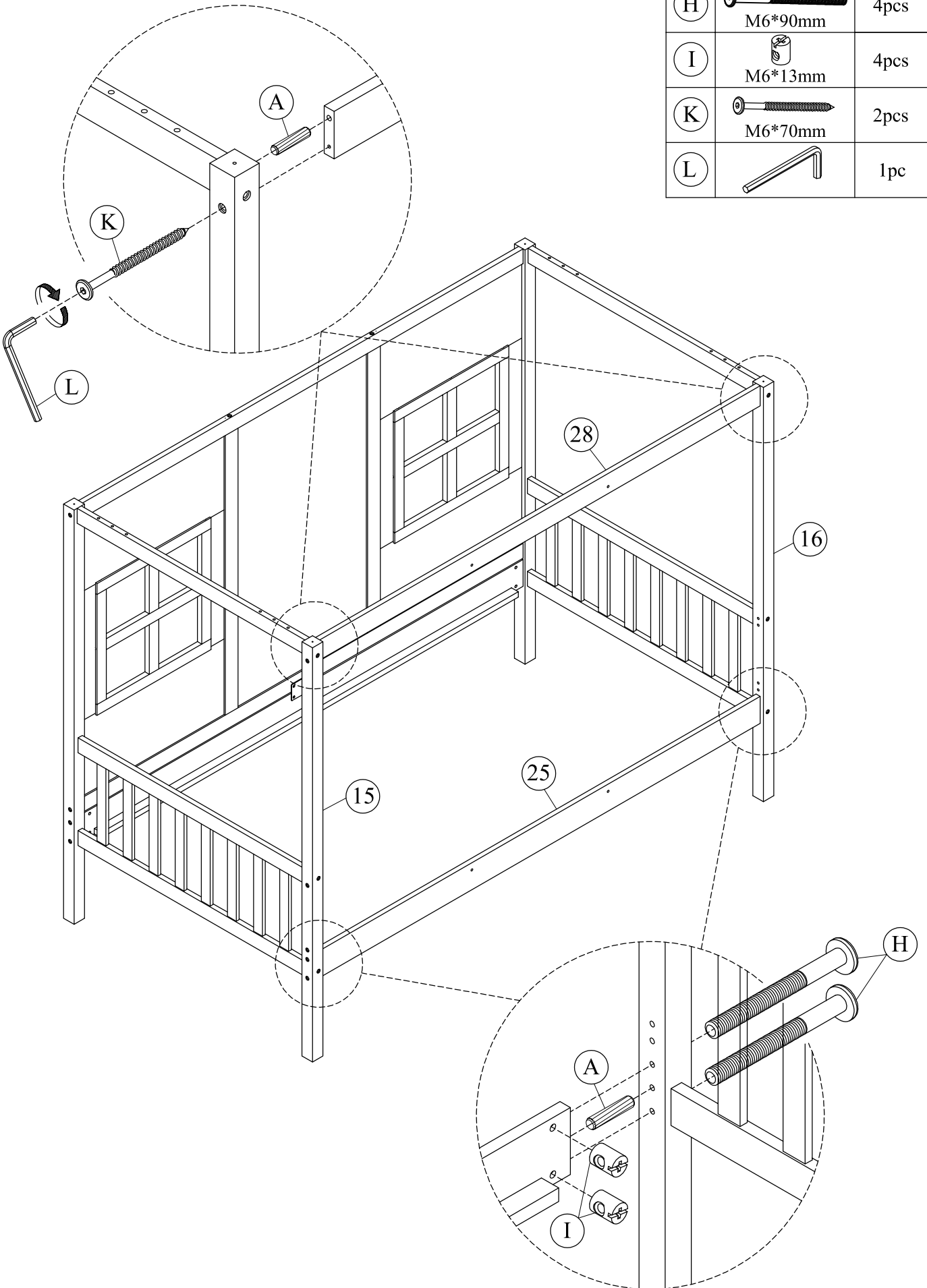


STEP 14:

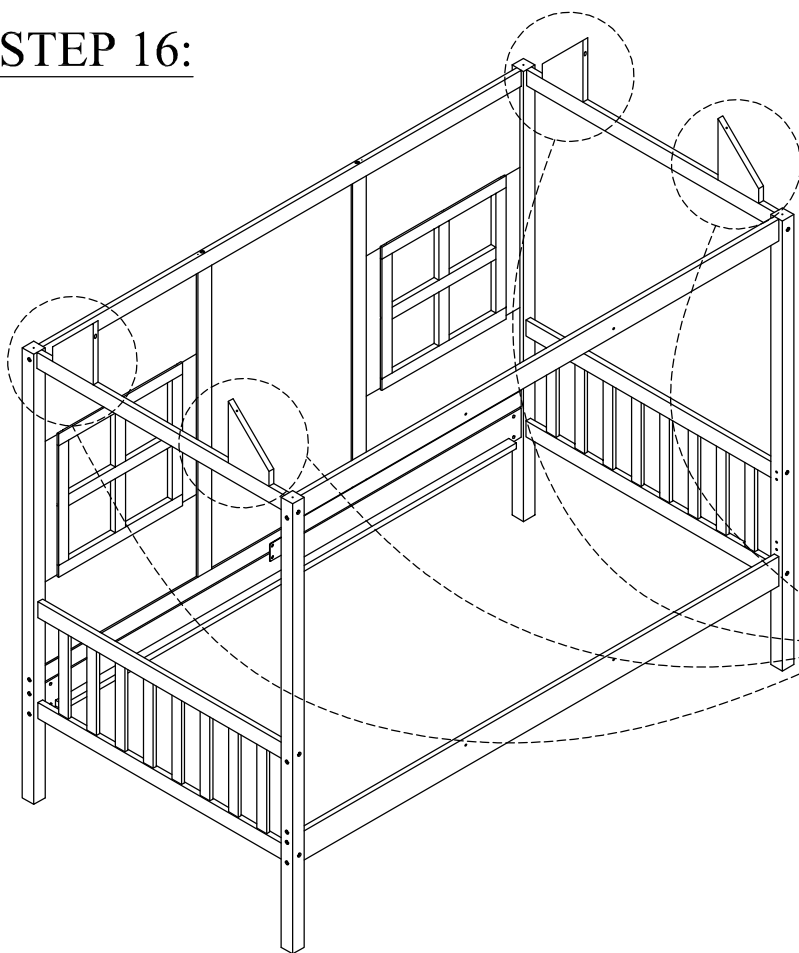


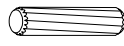
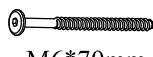

STEP 15:

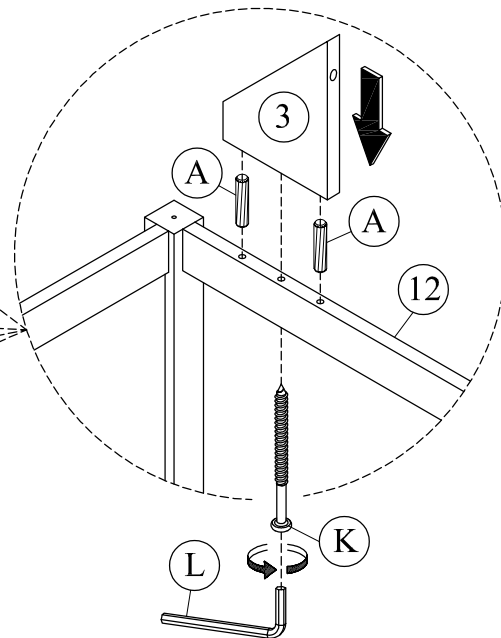
(A)	 Ø8*30mm	4pcs
(H)	 M6*90mm	4pcs
(I)	 M6*13mm	4pcs
(K)	 M6*70mm	2pcs
(L)		1pc



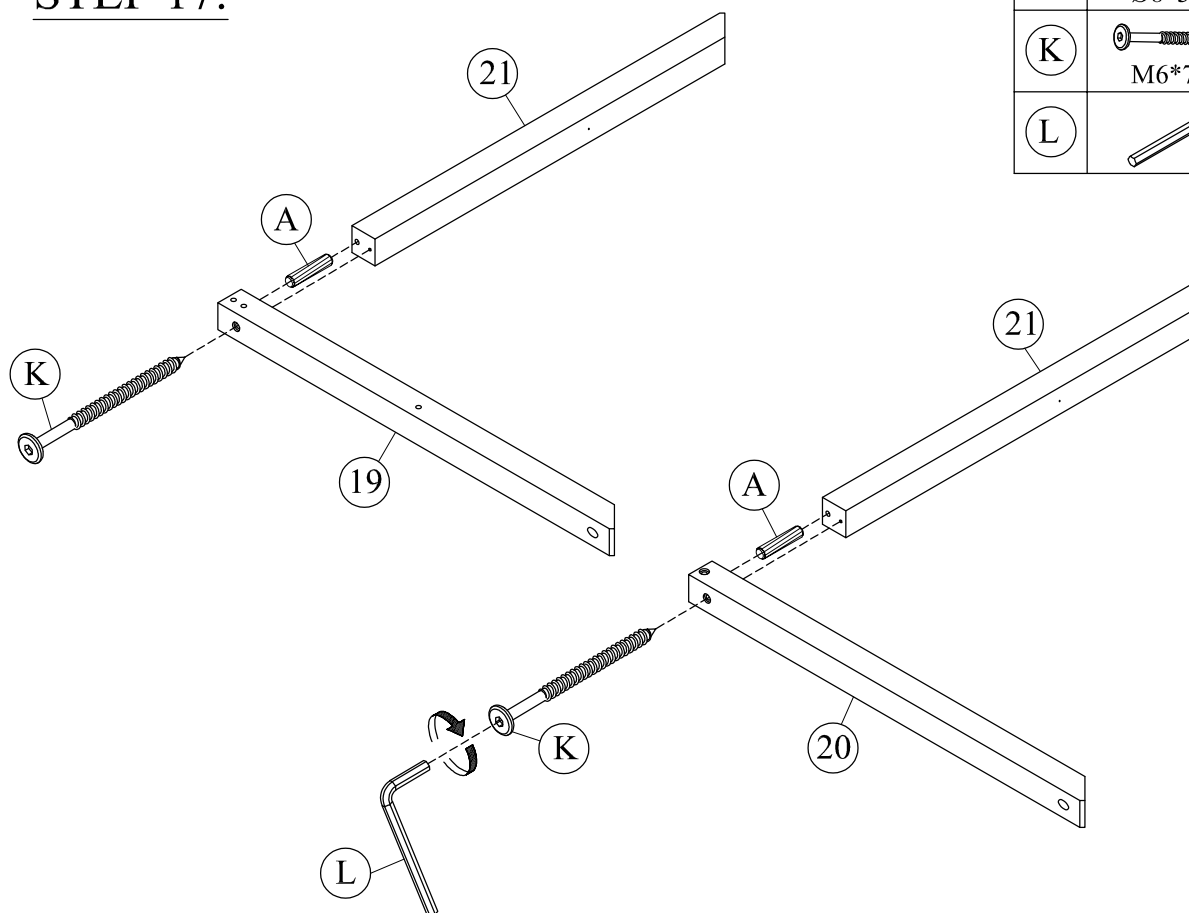
STEP 16:


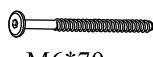



(A)	 Ø8*30mm	8pcs
(K)	 M6*70mm	4pcs
(L)		1pc

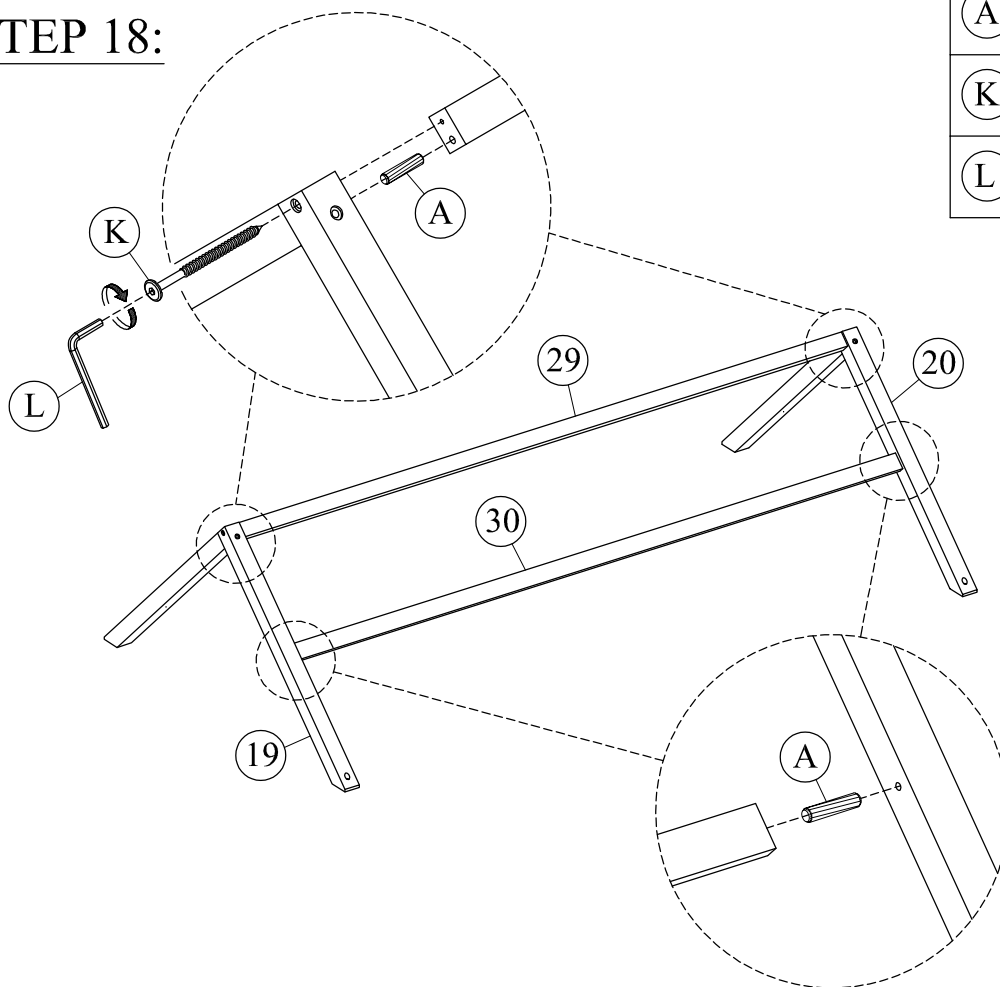


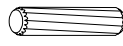


STEP 17:



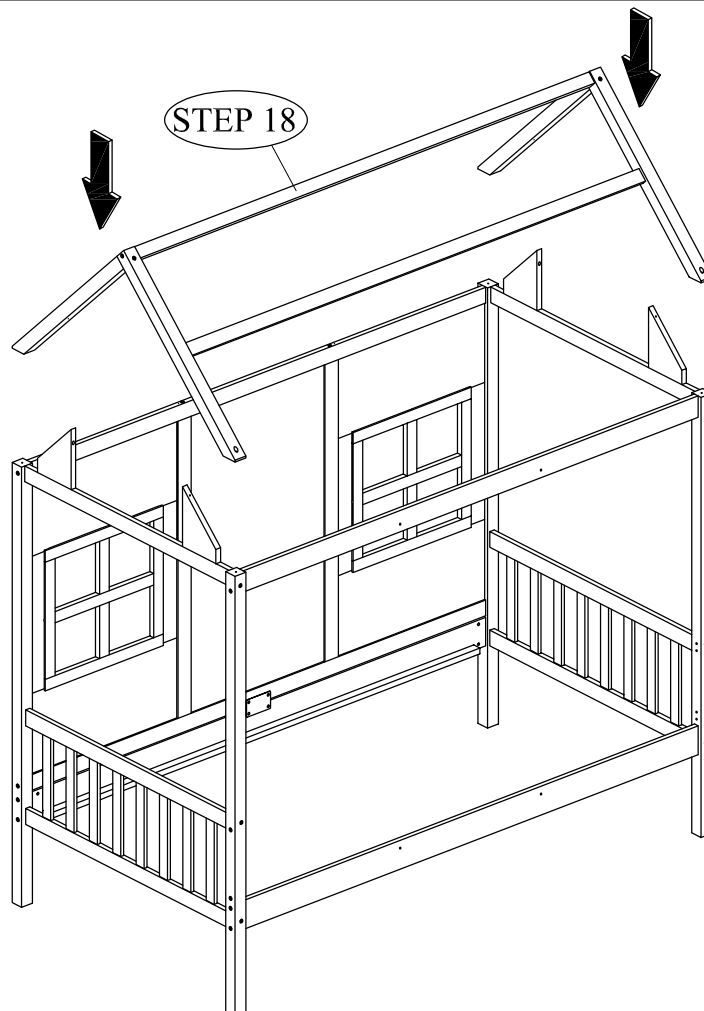
(A)	 Ø8*30mm	2pcs
(K)	 M6*70mm	2pcs
(L)		1pc

STEP 18:

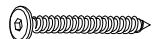



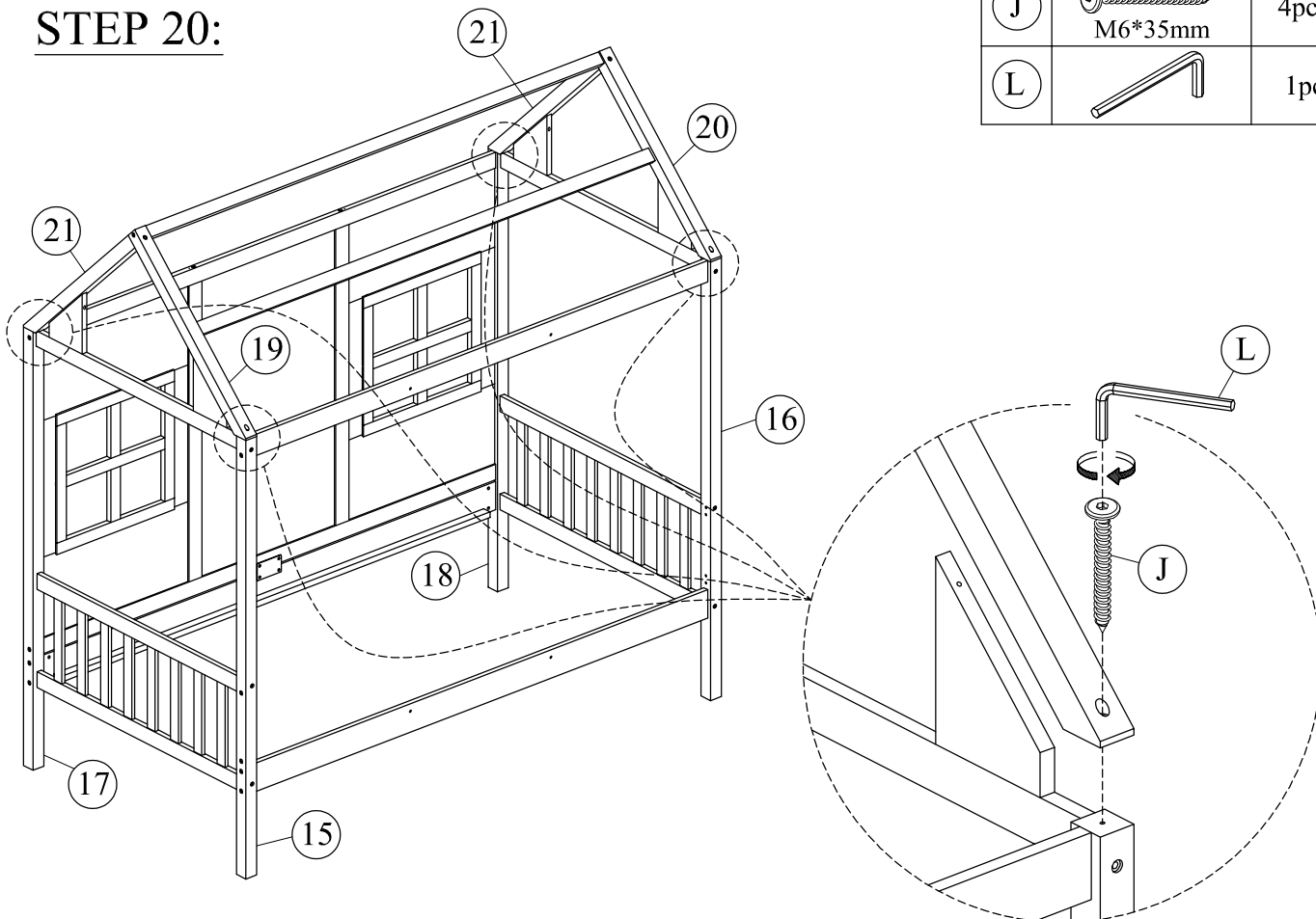
(A)	 Ø8*30mm	4pcs
(K)	 M6*70mm	2pcs
(L)		1pc

STEP 19:




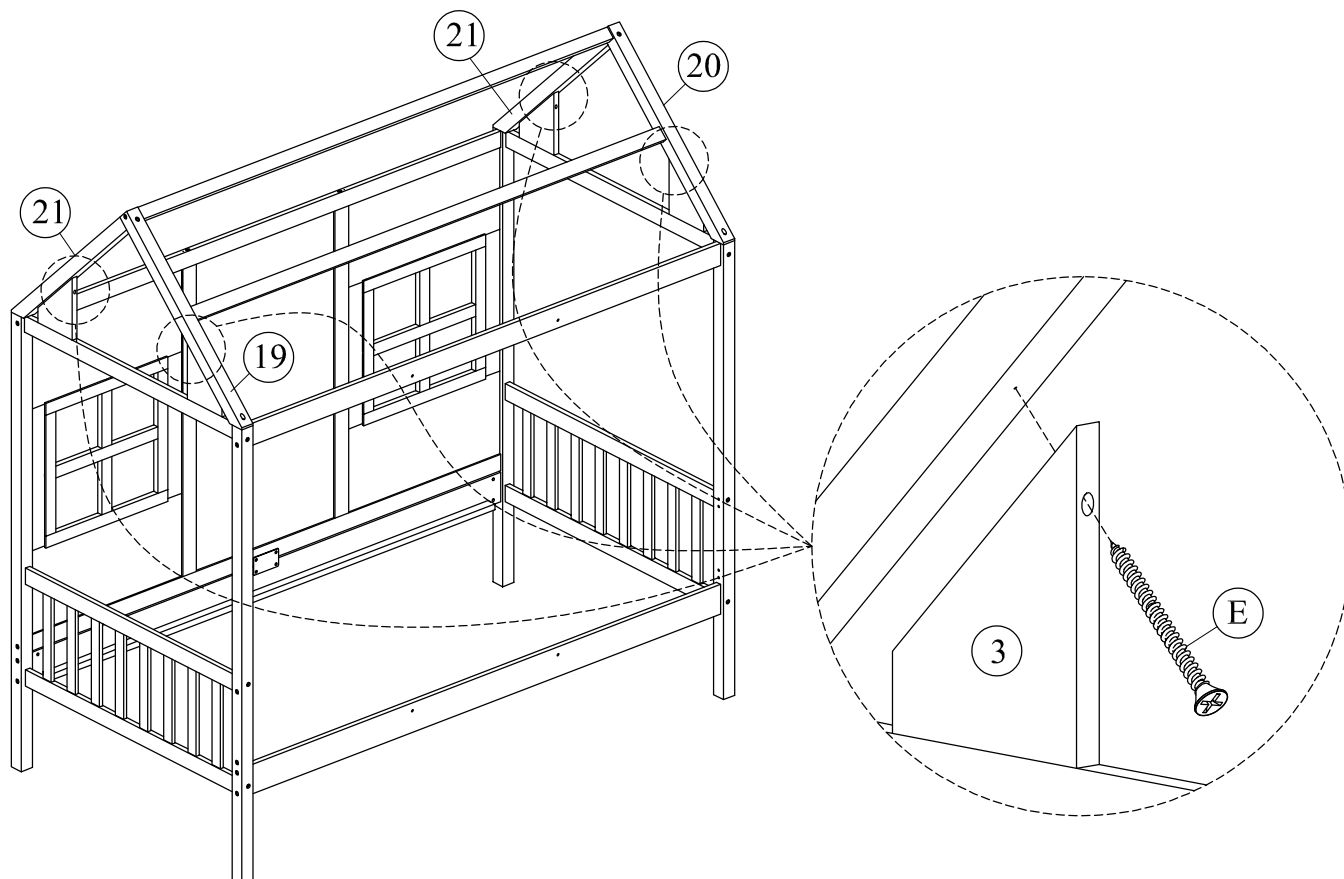
STEP 20:

J	 M6*35mm	4pcs
L		1pc

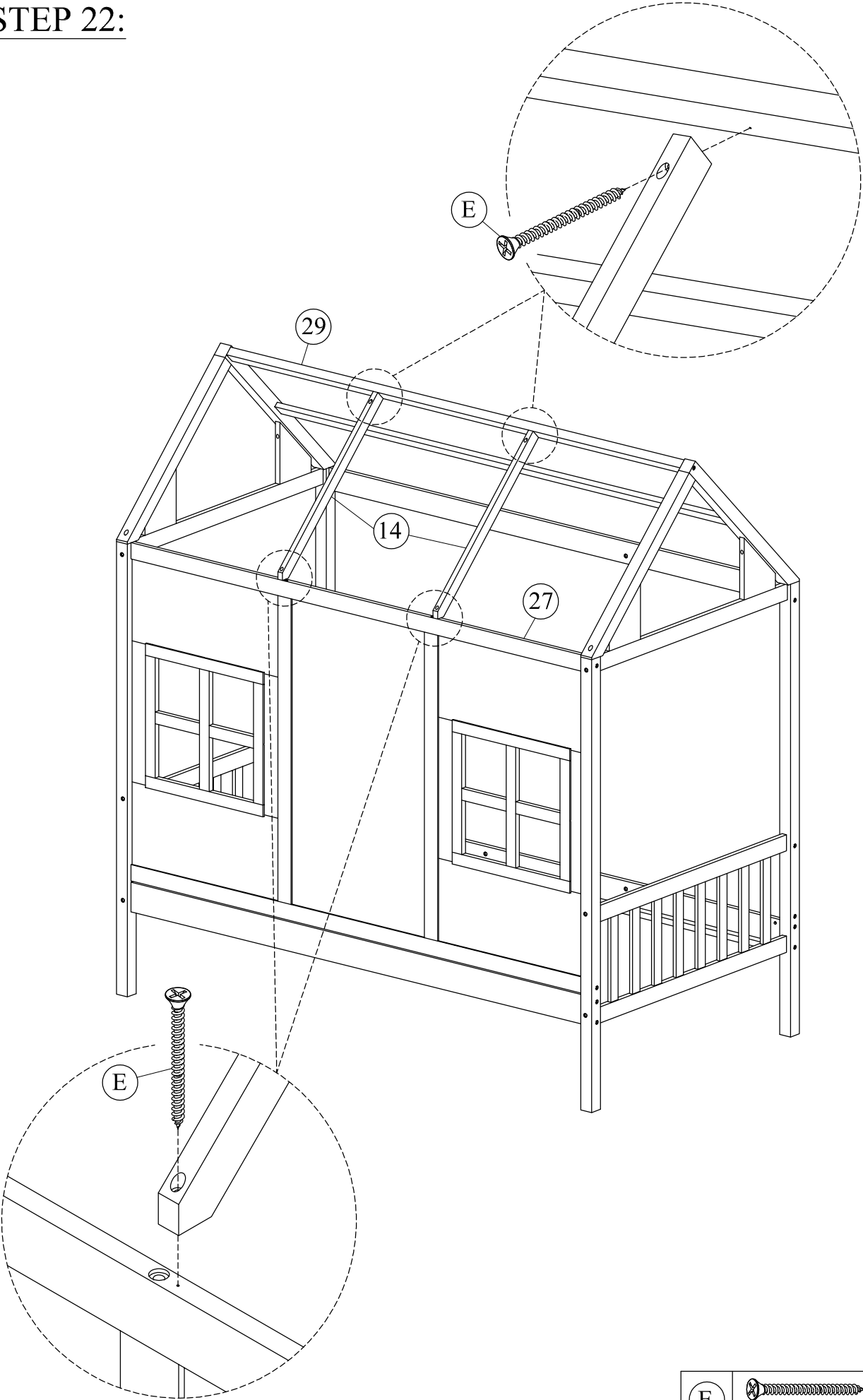


STEP 21:

E	 #8*50mm	4pcs
---	--------------------------------------------------------------------------------------------------	------

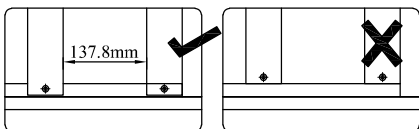
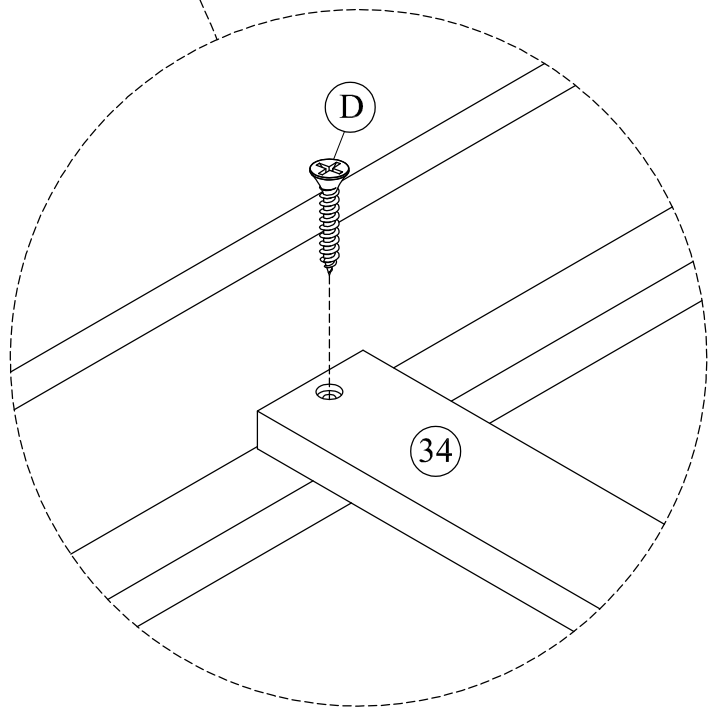
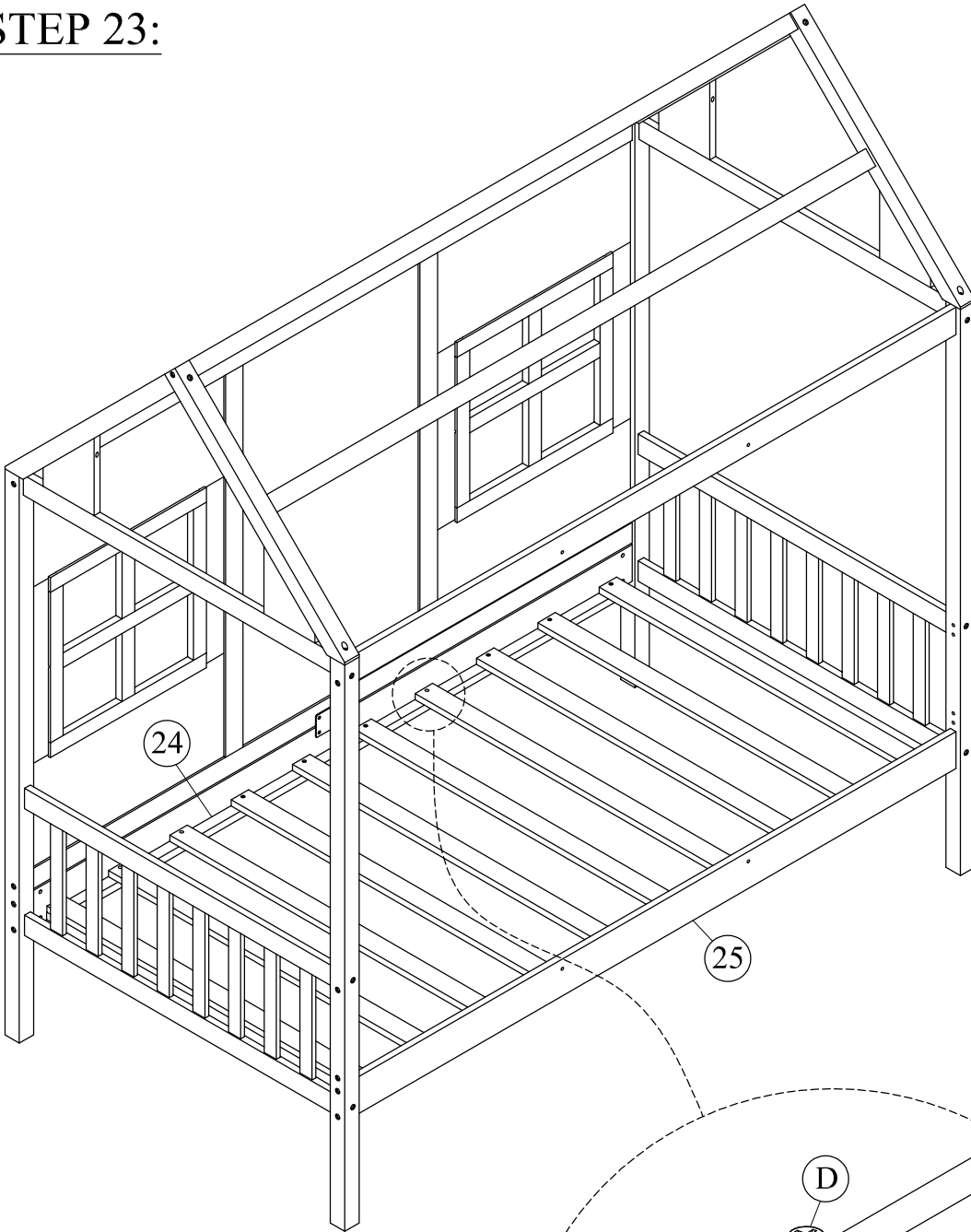


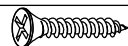
STEP 22:



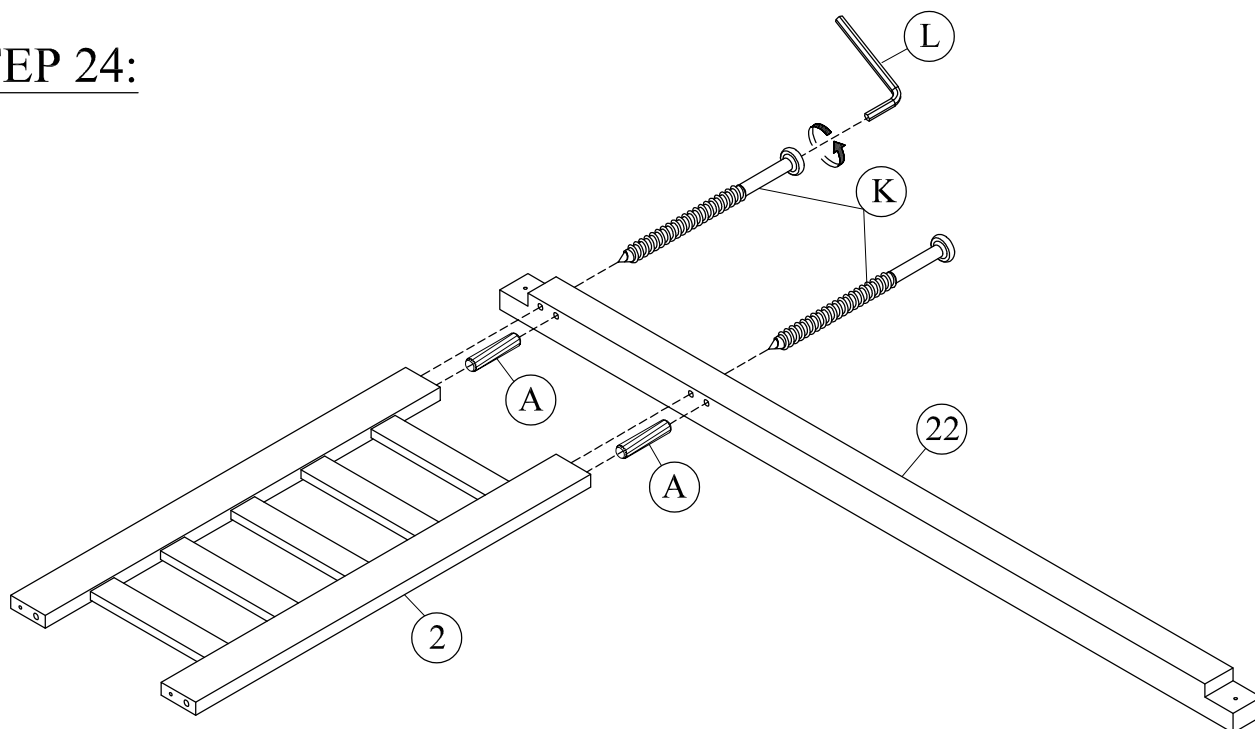
E	 #8*50mm	4pcs
---	--------------------------------------------------------------------------------------------------	------


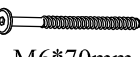

STEP 23:



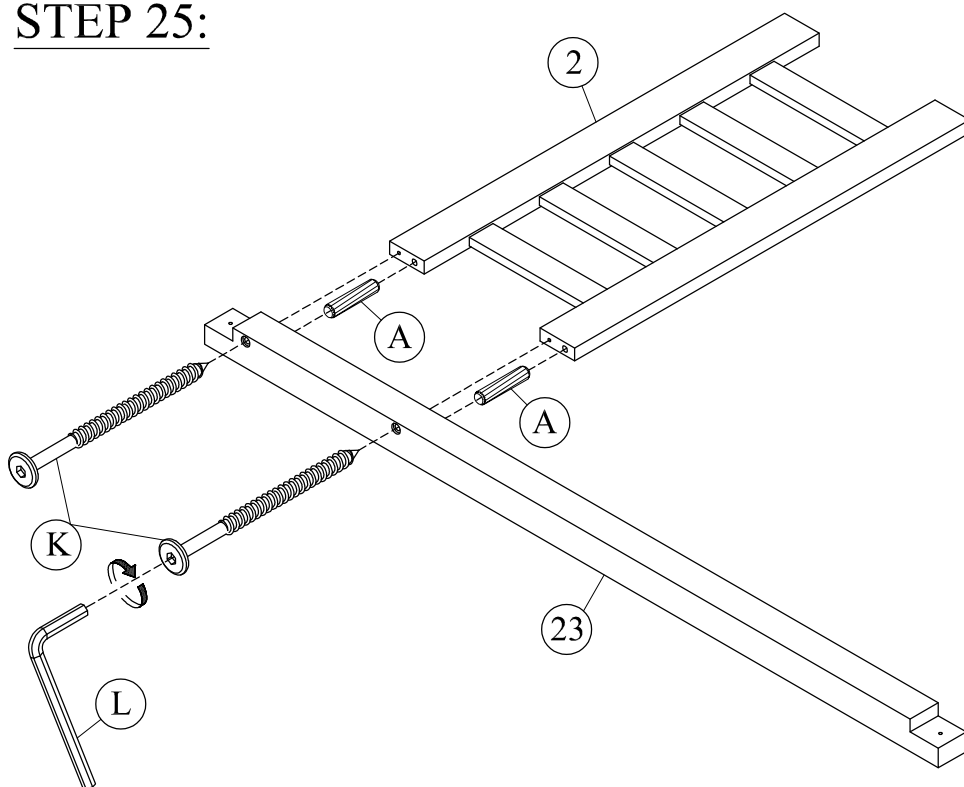
D	 #8*25mm	20pcs
---	--------------------------------------------------------------------------------------------------	-------


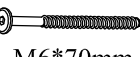

STEP 24:



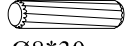
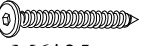


A	 Ø8*30mm	2pcs
K	 M6*70mm	2pcs
L		1pc

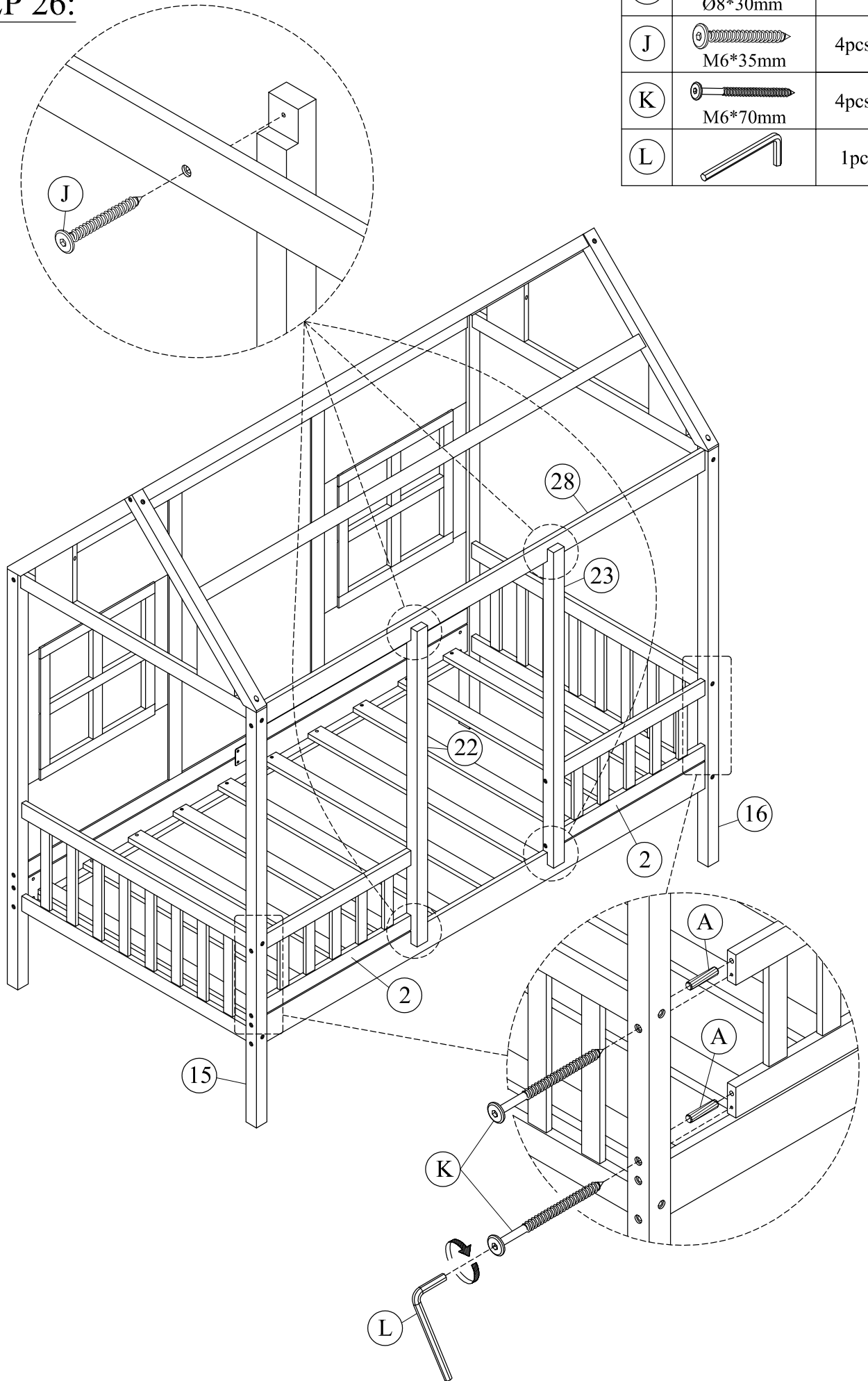
STEP 25:



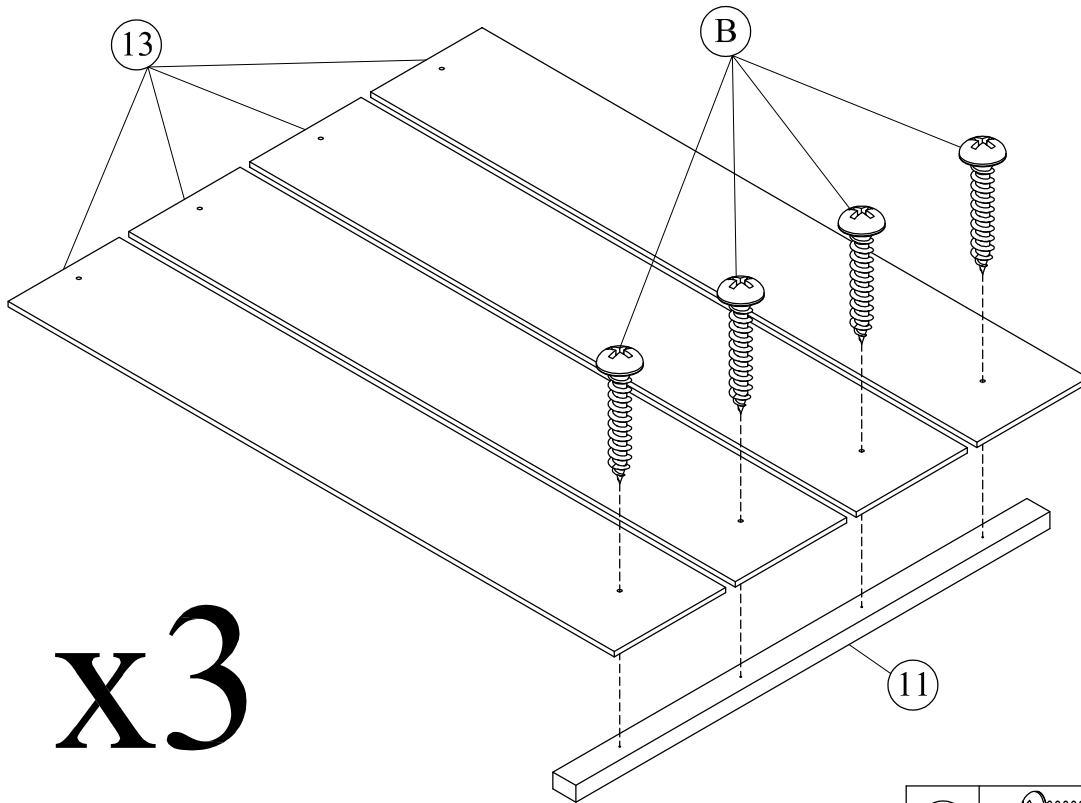
A	 Ø8*30mm	2pcs
K	 M6*70mm	2pcs
L		1pc

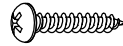
STEP 26:

(A)	 Ø8*30mm	4pcs
(J)	 M6*35mm	4pcs
(K)	 M6*70mm	4pcs
(L)		1pc

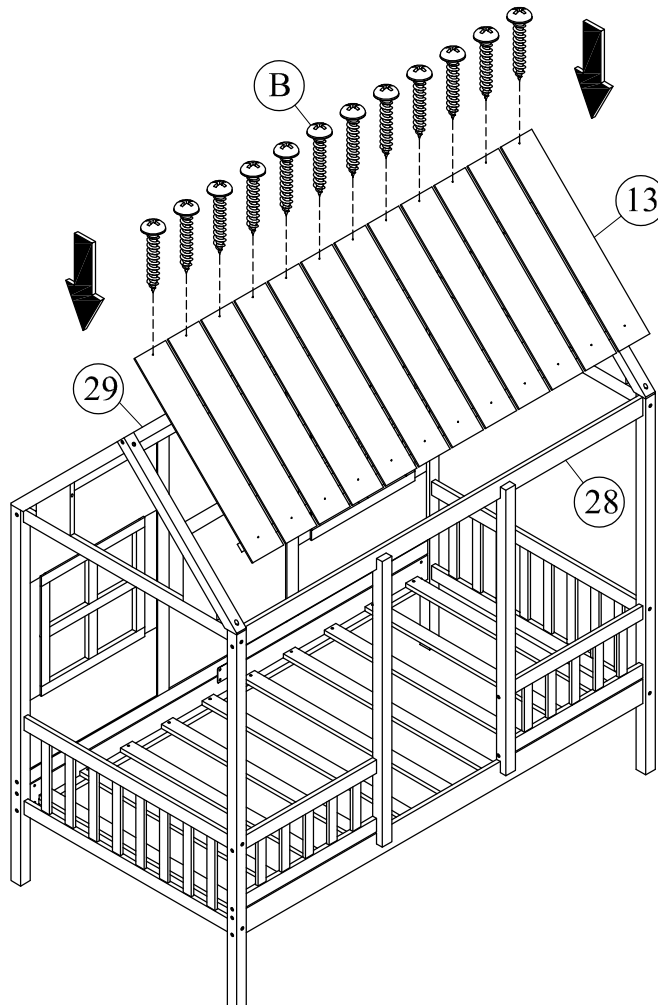


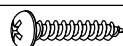
STEP 27:



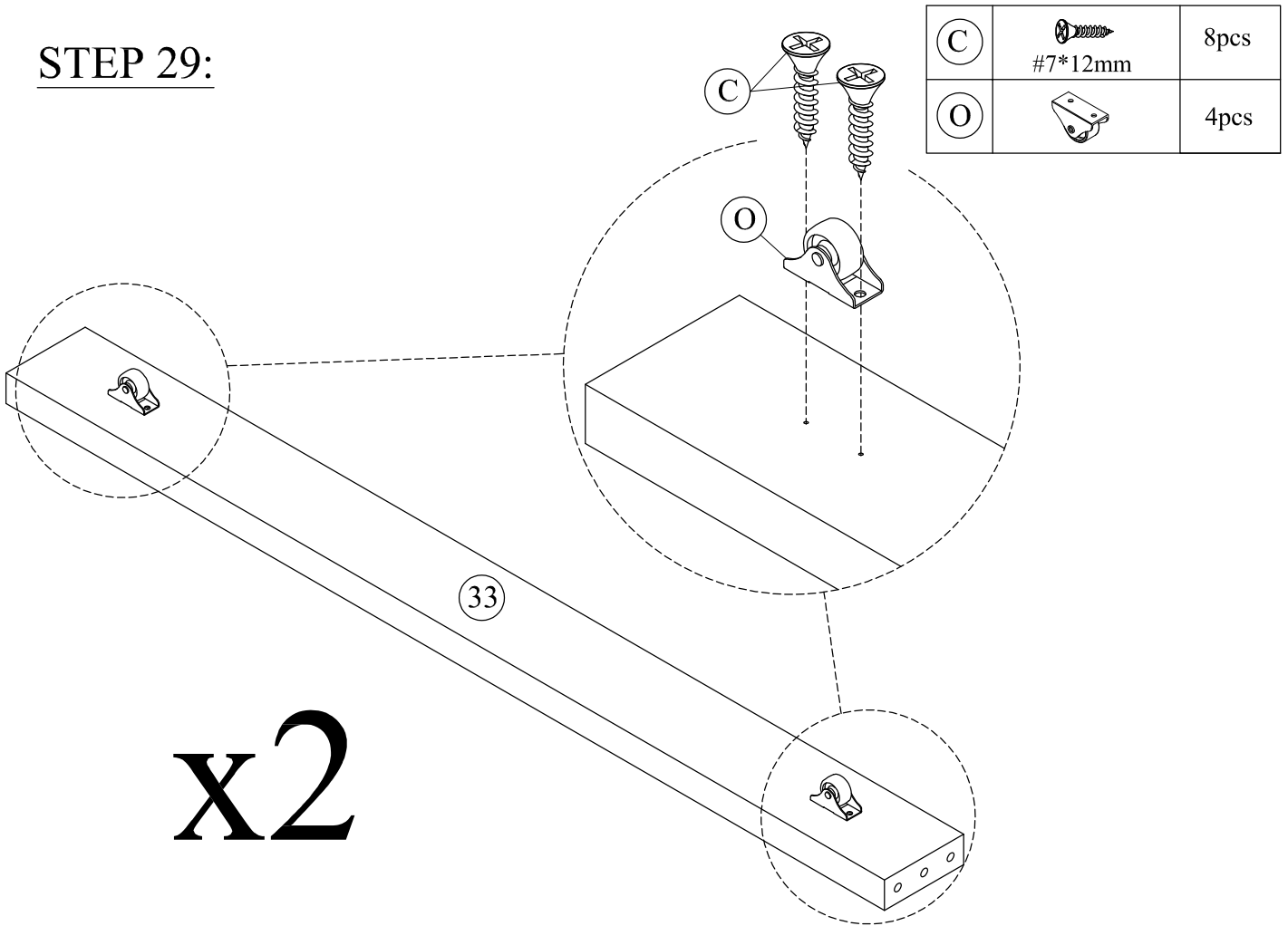
(B)	 #8*15mm	12pcs
-----	--------------------------------------------------------------------------------------------------	-------

STEP 28:

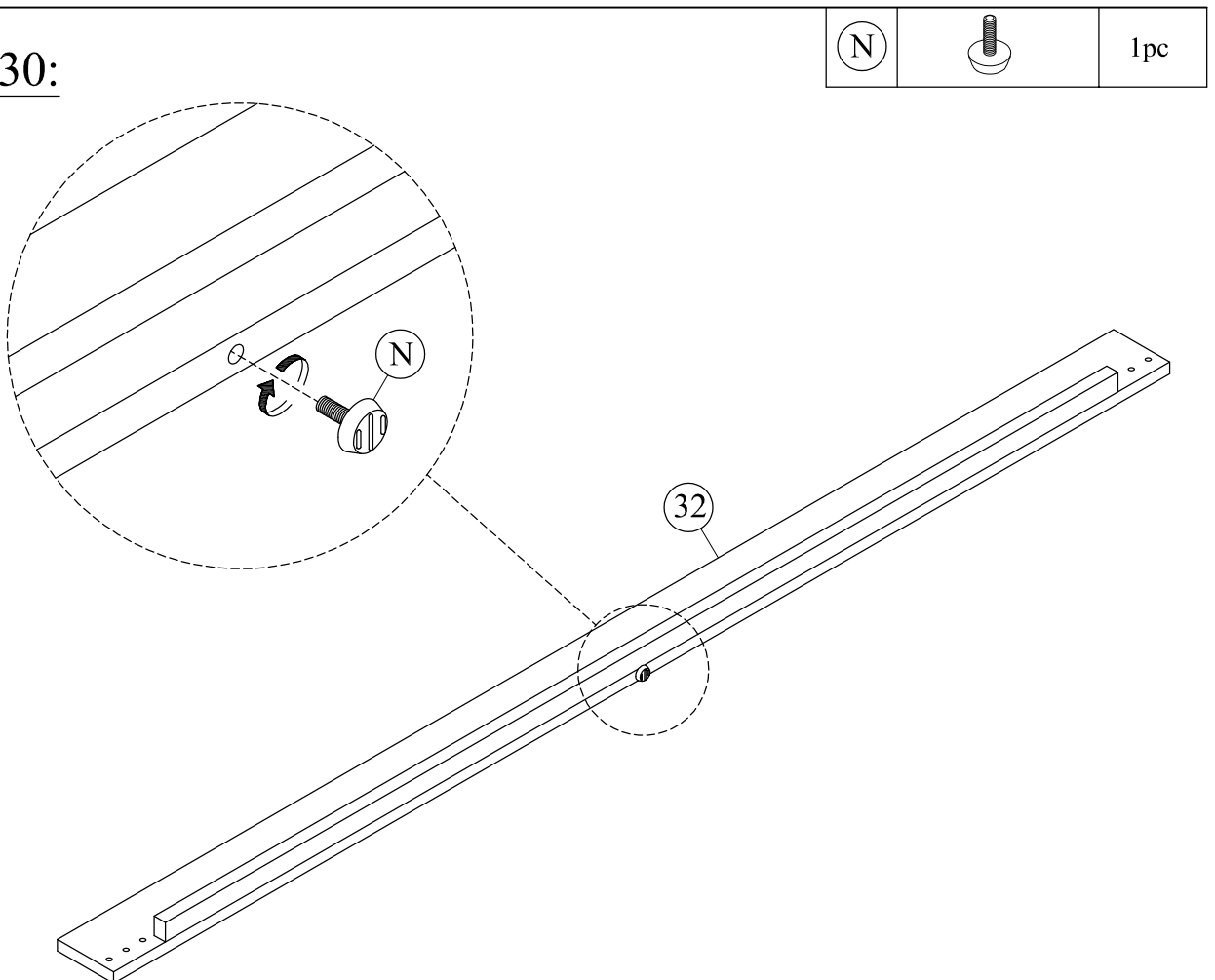


(B)	 #8*15mm	12pcs
-----	--------------------------------------------------------------------------------------------------	-------


STEP 29:

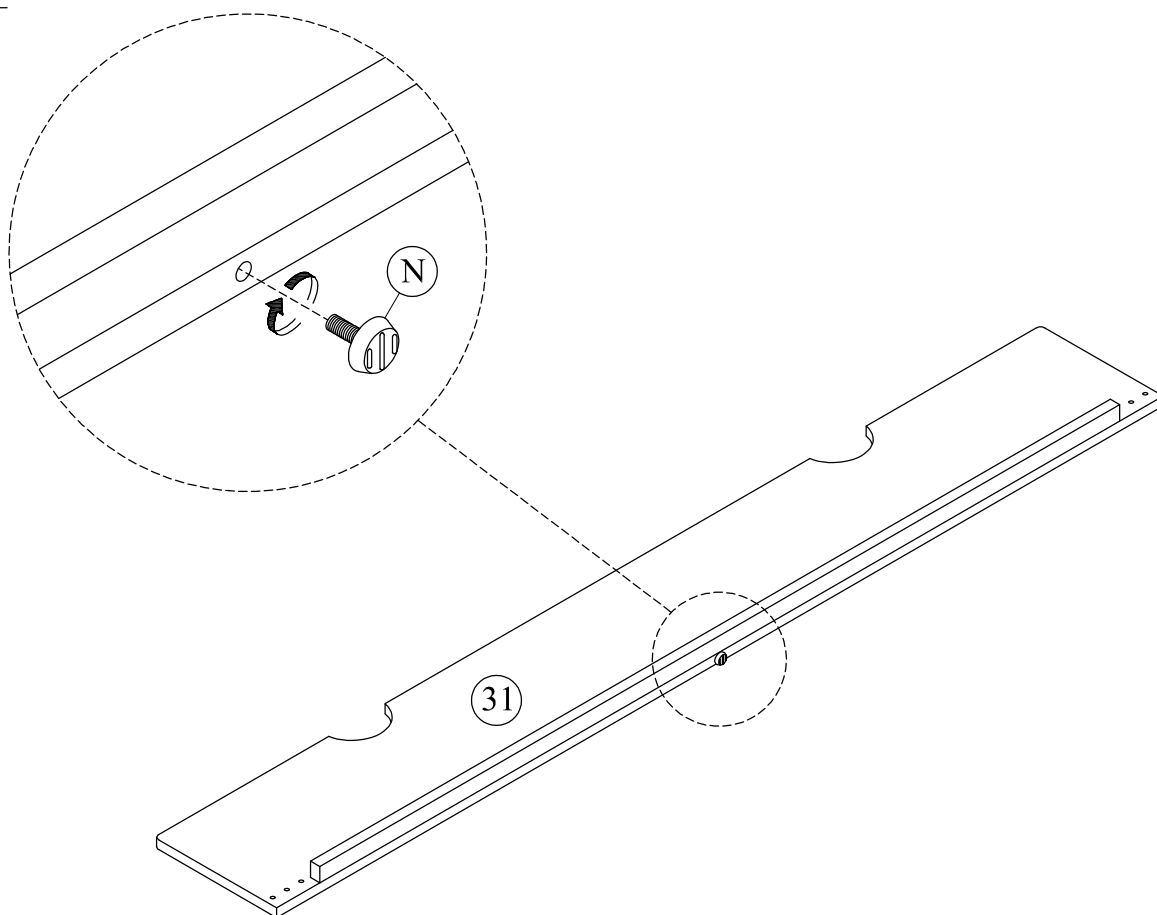


STEP 30:





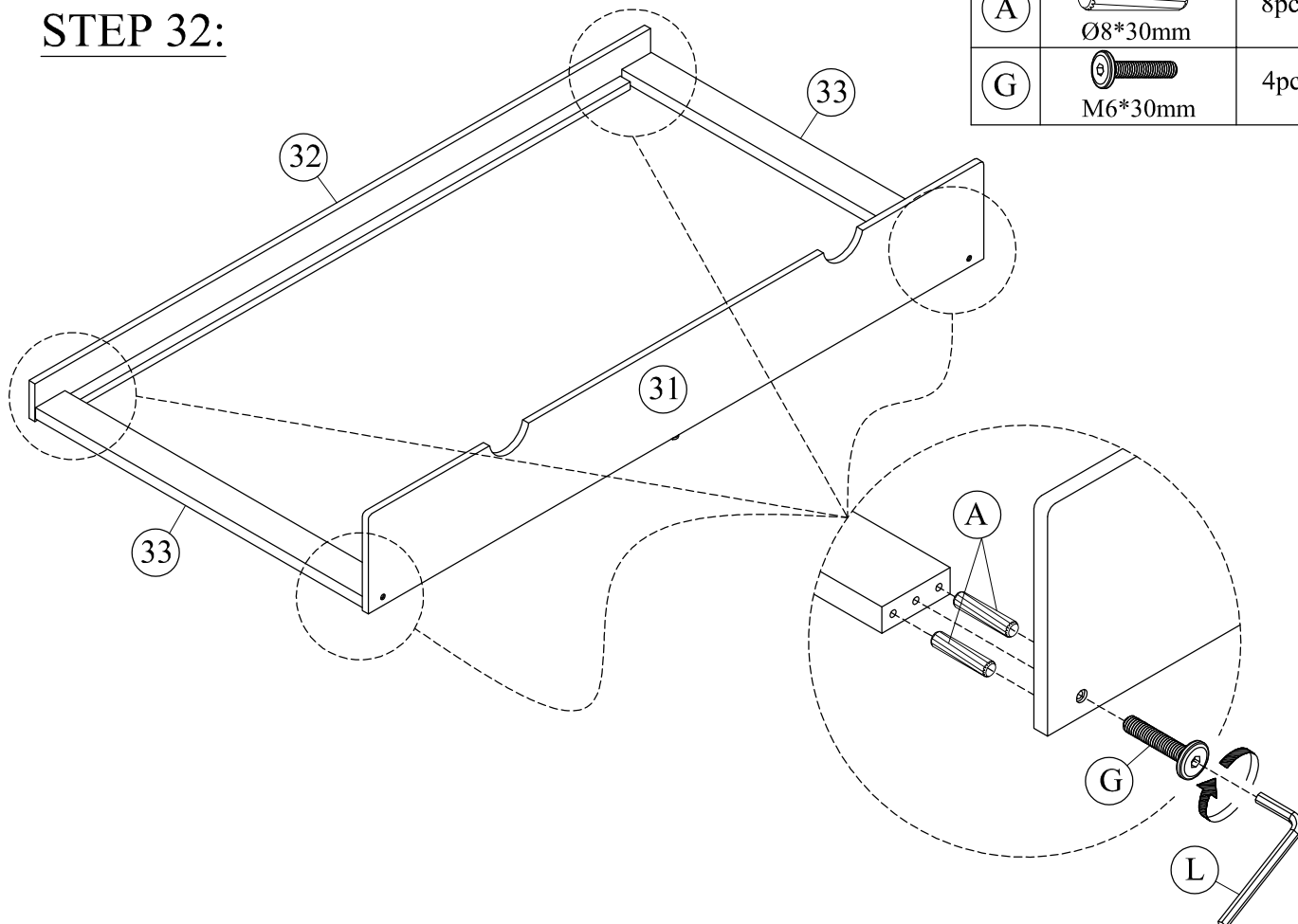
STEP 31:

N		1pc
---	------------------------------------------------------------------------------------	-----

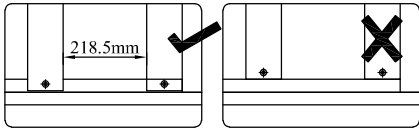
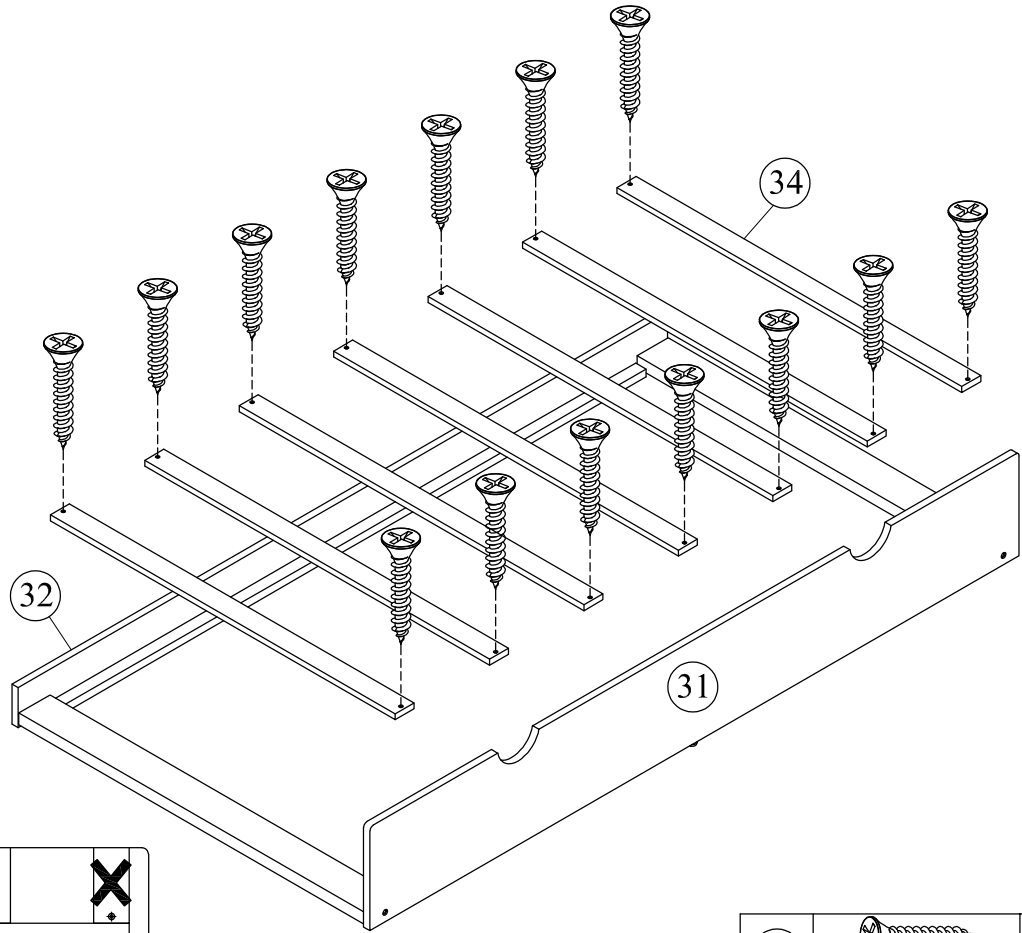



STEP 32:

A	 Ø8*30mm	8pcs
G	 M6*30mm	4pcs

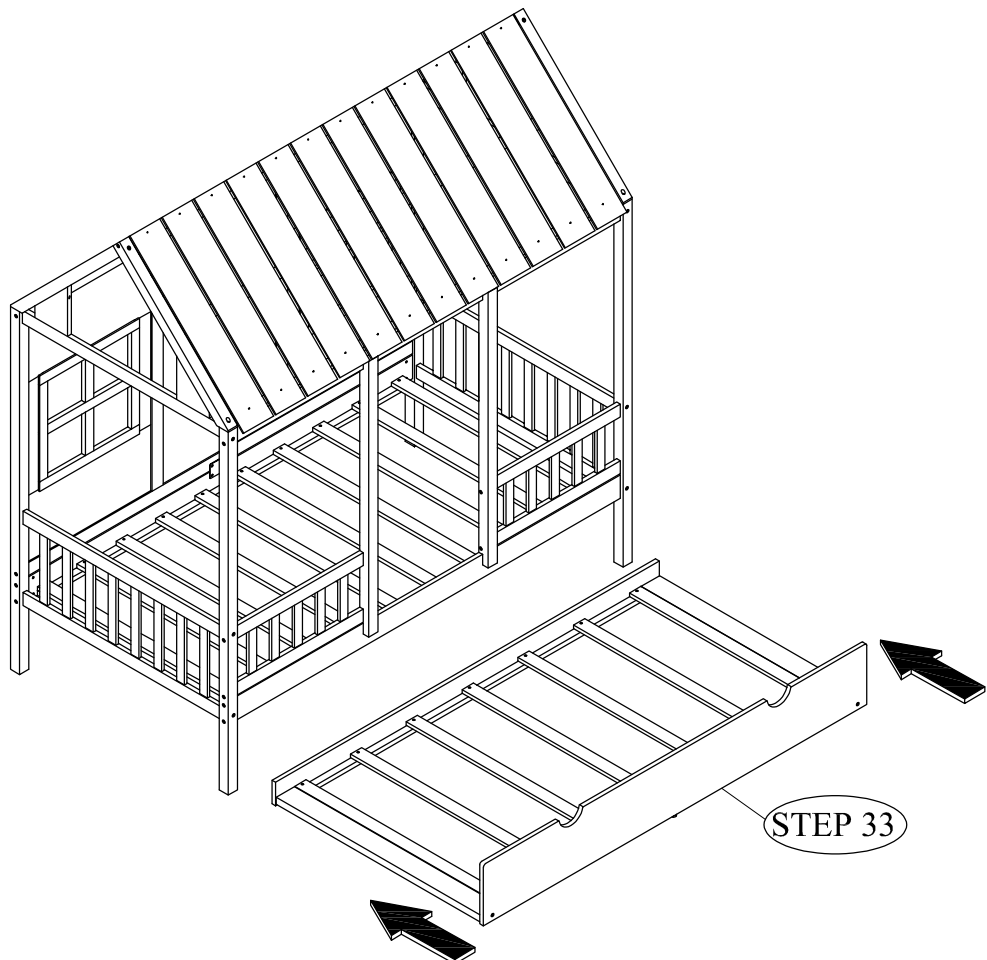


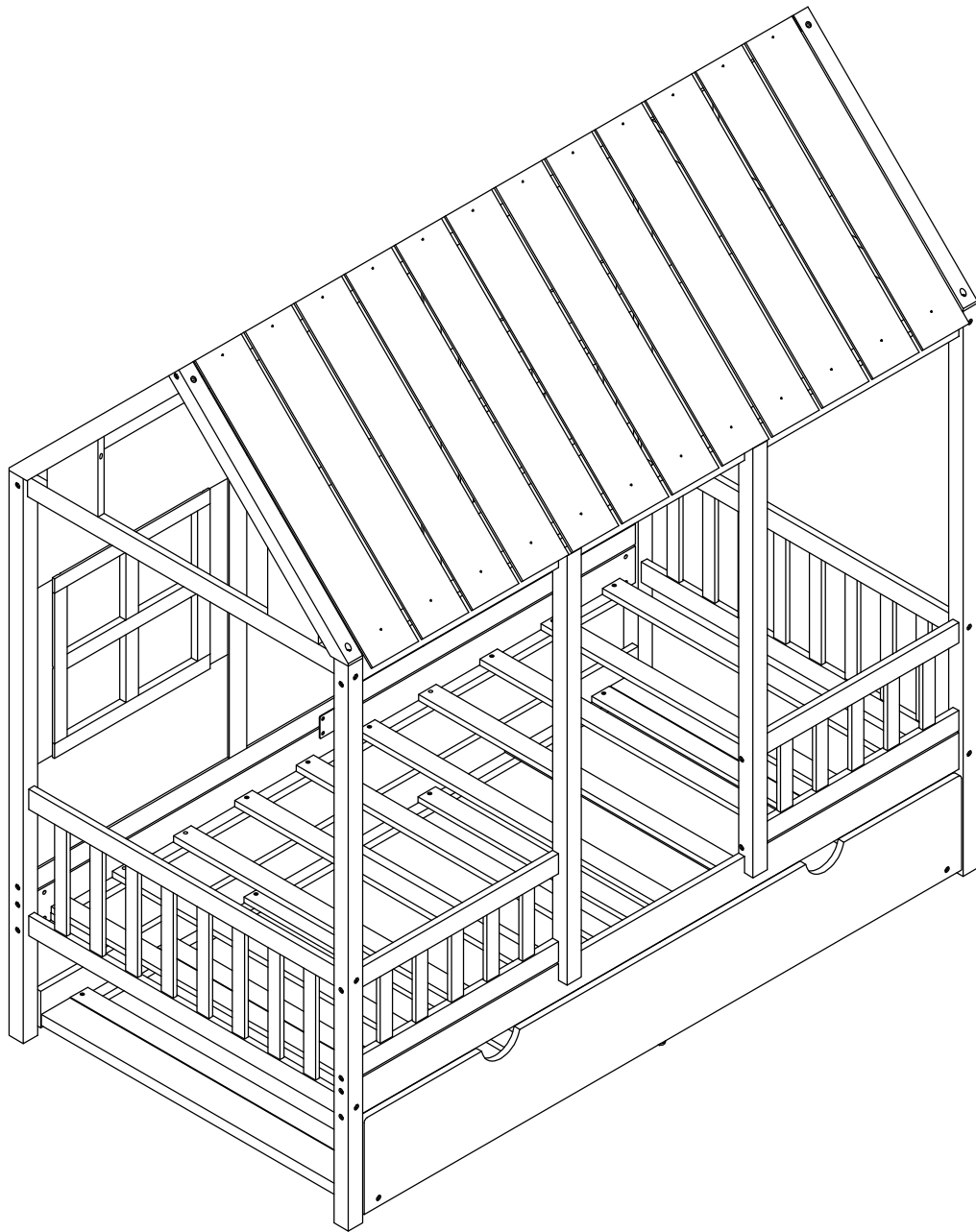
STEP 33:



(D)	 #8*25mm	14pcs
-----	--------------------------------------------------------------------------------------------------	-------

STEP 34:





Technical Support

(909)637-7665 | (909)637-7593

Other Info

HJ-Customer-Service@outlook.com

Thank you for choosing this product. We strive to provide you with the best quality products and service in the industry. Should you have any issues, please don't hesitate to contact us.