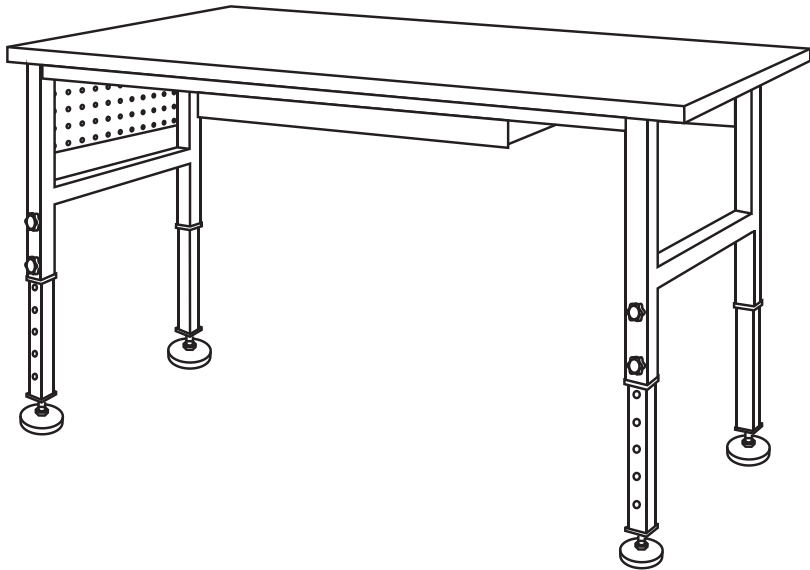


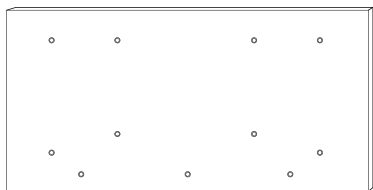
60" GARAGE WORKBENCH USER'S MANUAL



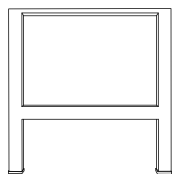
WARNING!

- 1.The manual contains very important safety information, please read it carefully before assembling.
- 2.Check carefully the box when you receive, if there is any damage, pls take a picture for record, contact our service team for help.
- 3.The workbench can be dangerous if it is not properly installed. Fasten all bolts, nuts, screws before using it.
- 4.Don't overload product on the workbench, it is restricted to 2000 LBS.
- 5.When you use the workbench, make sure all casters are locked, or it can be very dangerous.
- 6.Keep away from children. It will be dangerous if your children are playing on it.
- 7.Keep workbench away from water, moisture.

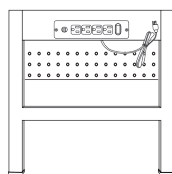
PART LIST



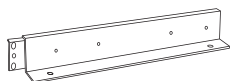
Rubber Board



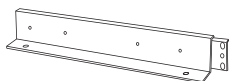
Leg 1



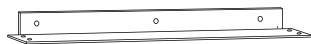
Leg 2



Drawer Track 1



Drawer Track 2



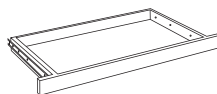
Support 1



Support 2



Leg extend x4



Drawer



Drawer partition



Adjustable knobs x8



Footpads x4



A.M8X16
x14



b.M10X20
BOLT x8

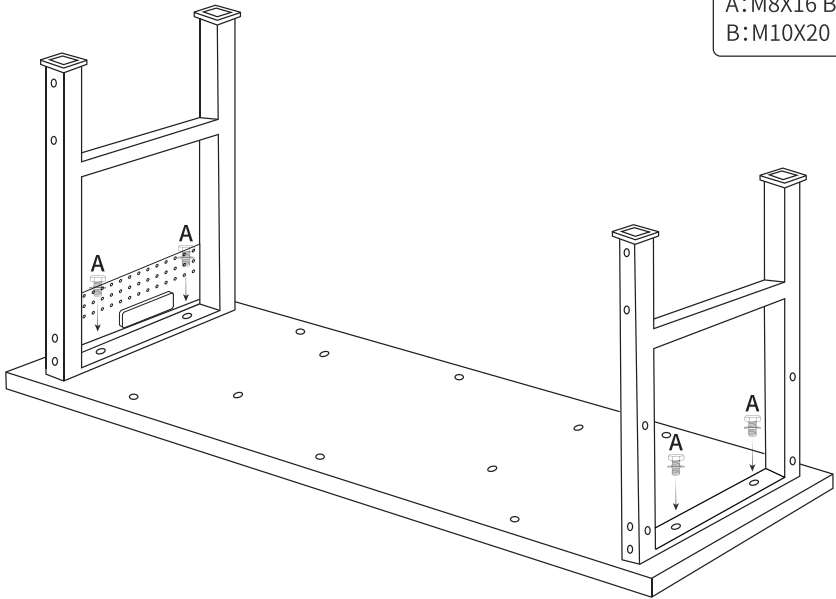


Tools
x2

TIPS:

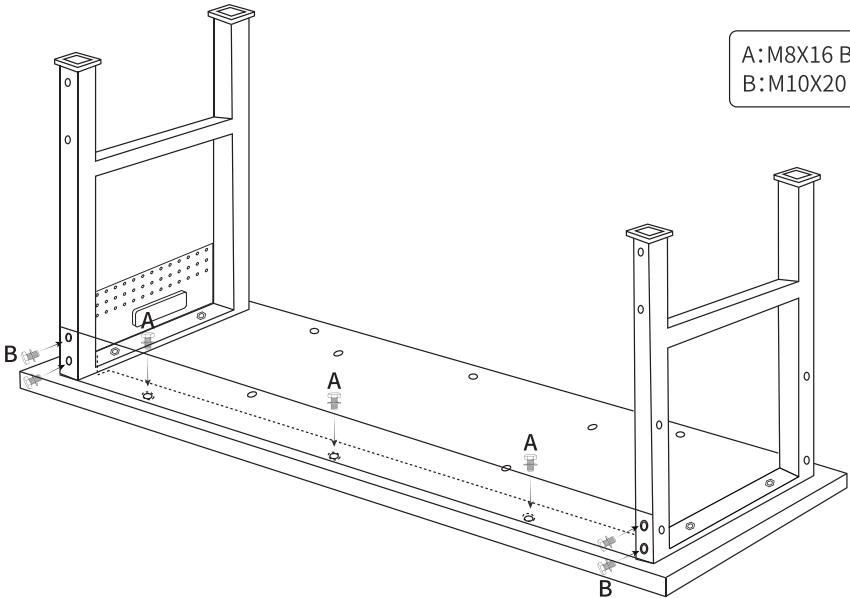
- 1) Don't fasten all bolts and nuts tightly at first, you may need to rework if you make some mistake.
- 2) We recommend that 2 adults are required to complete the installation.

Step 1. Fasten Legs To The Rubber Board

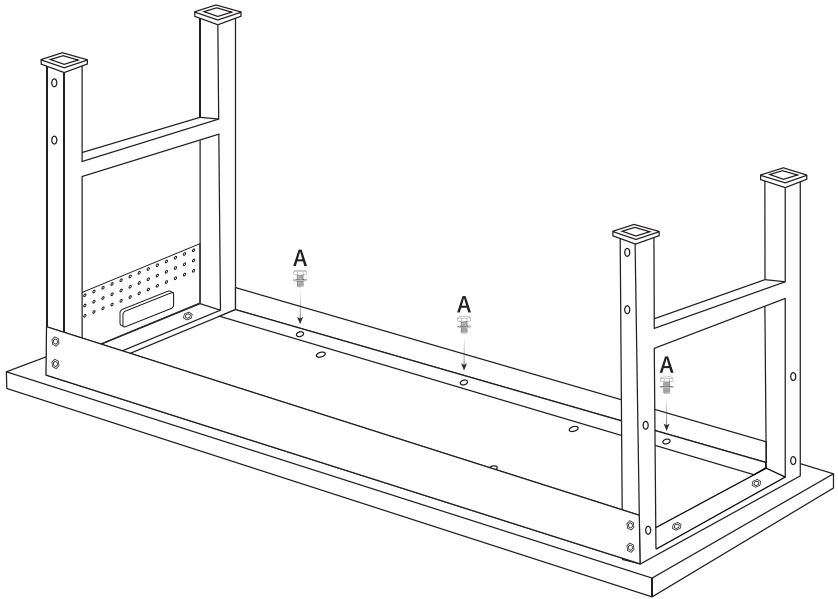


Step 2. Fasten Support1 To Rubber Board And Legs

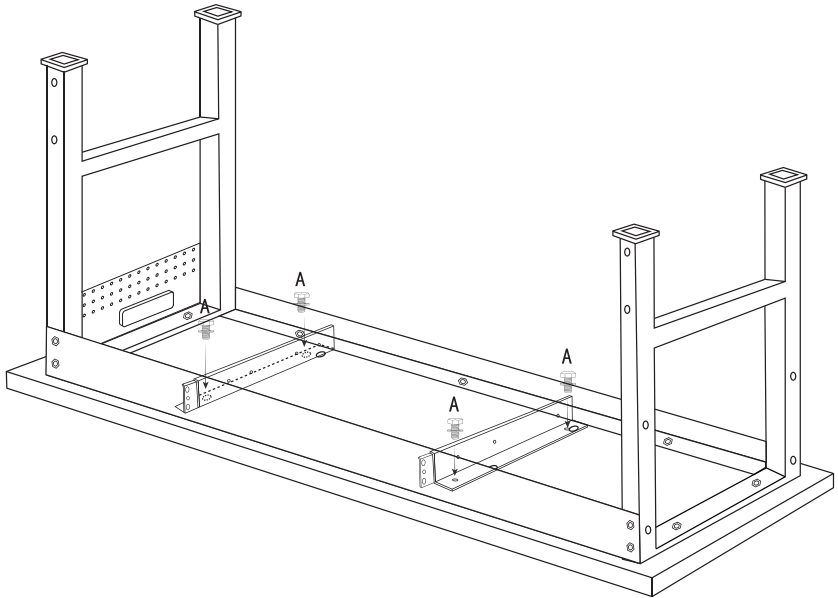
NOTE: B is fixed at knob shown in STEP5 and needs to be removed.



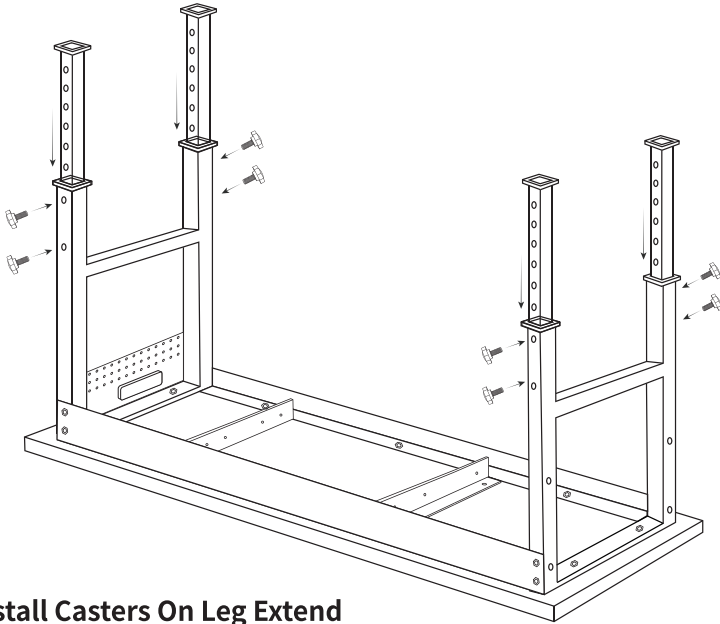
Step 3. Fasten Support 2 To Rubber Board And Legs



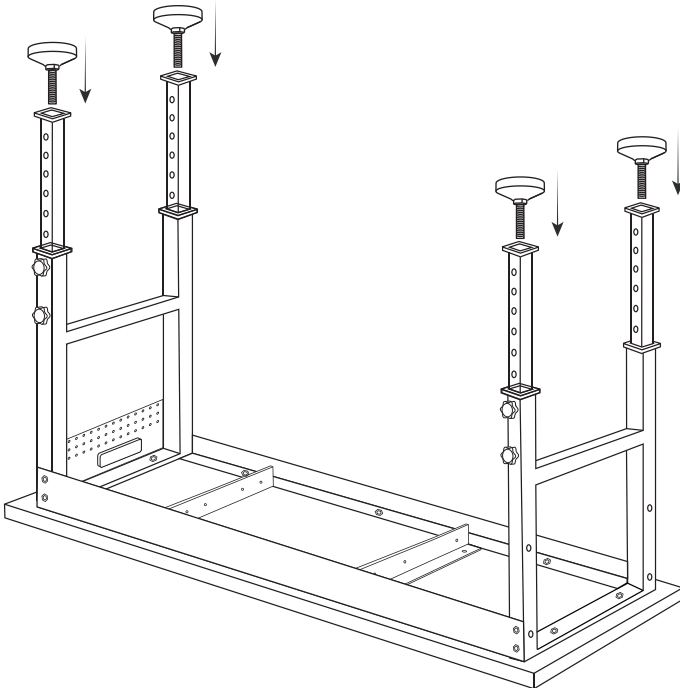
Step 4. install The Drawer Tracks to Rubber Board



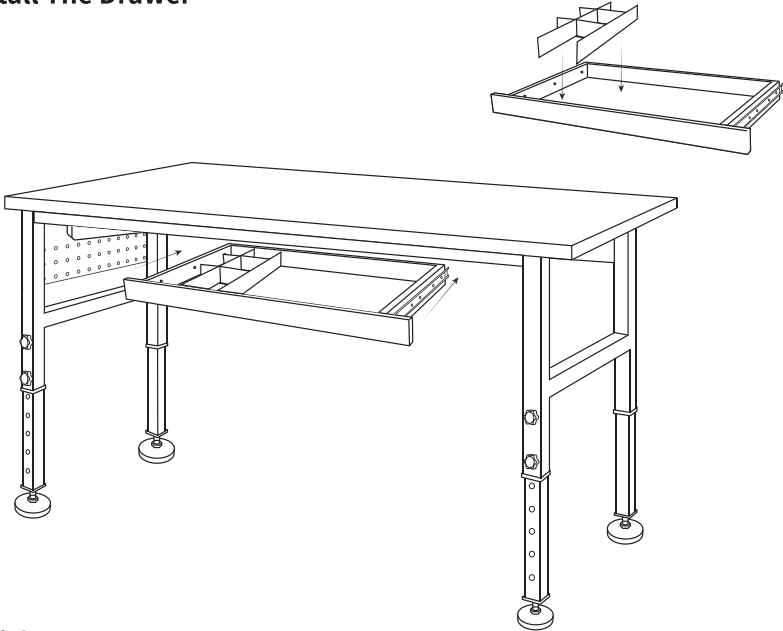
Step 5. Fasten Leg Extend To Legs



Step 6. Install Casters On Leg Extend



Step 7. Install The Drawer



Step 8. Finish

