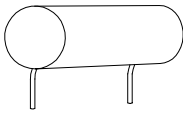
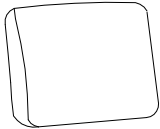
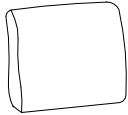
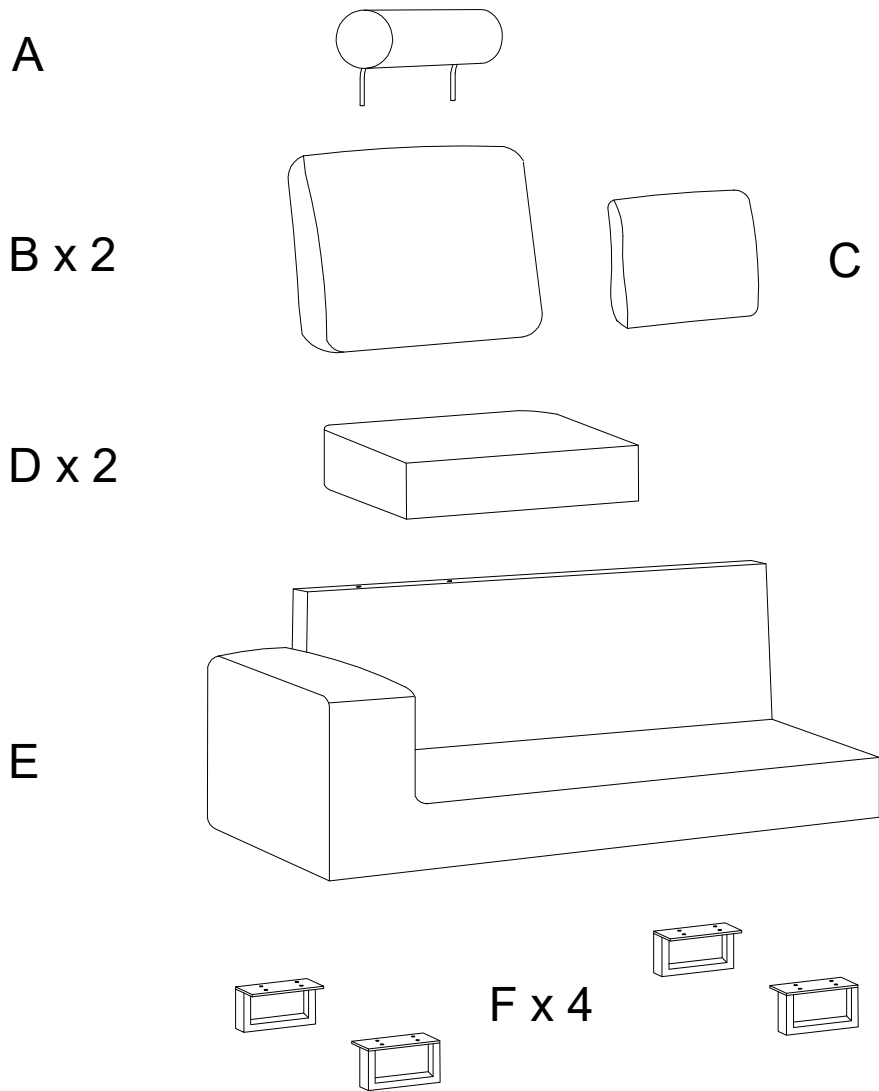

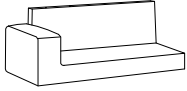
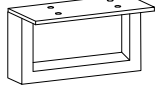
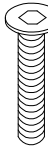



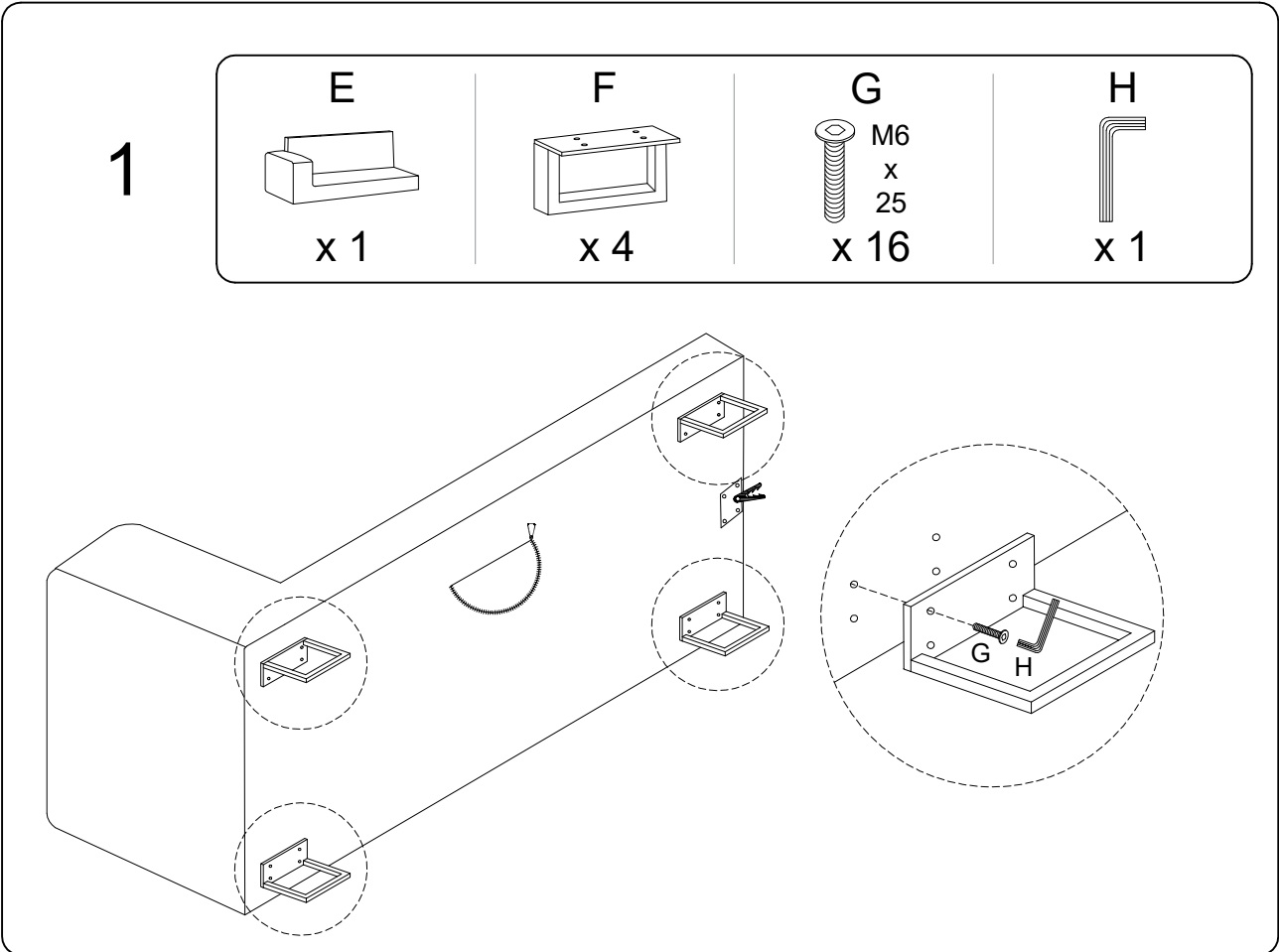
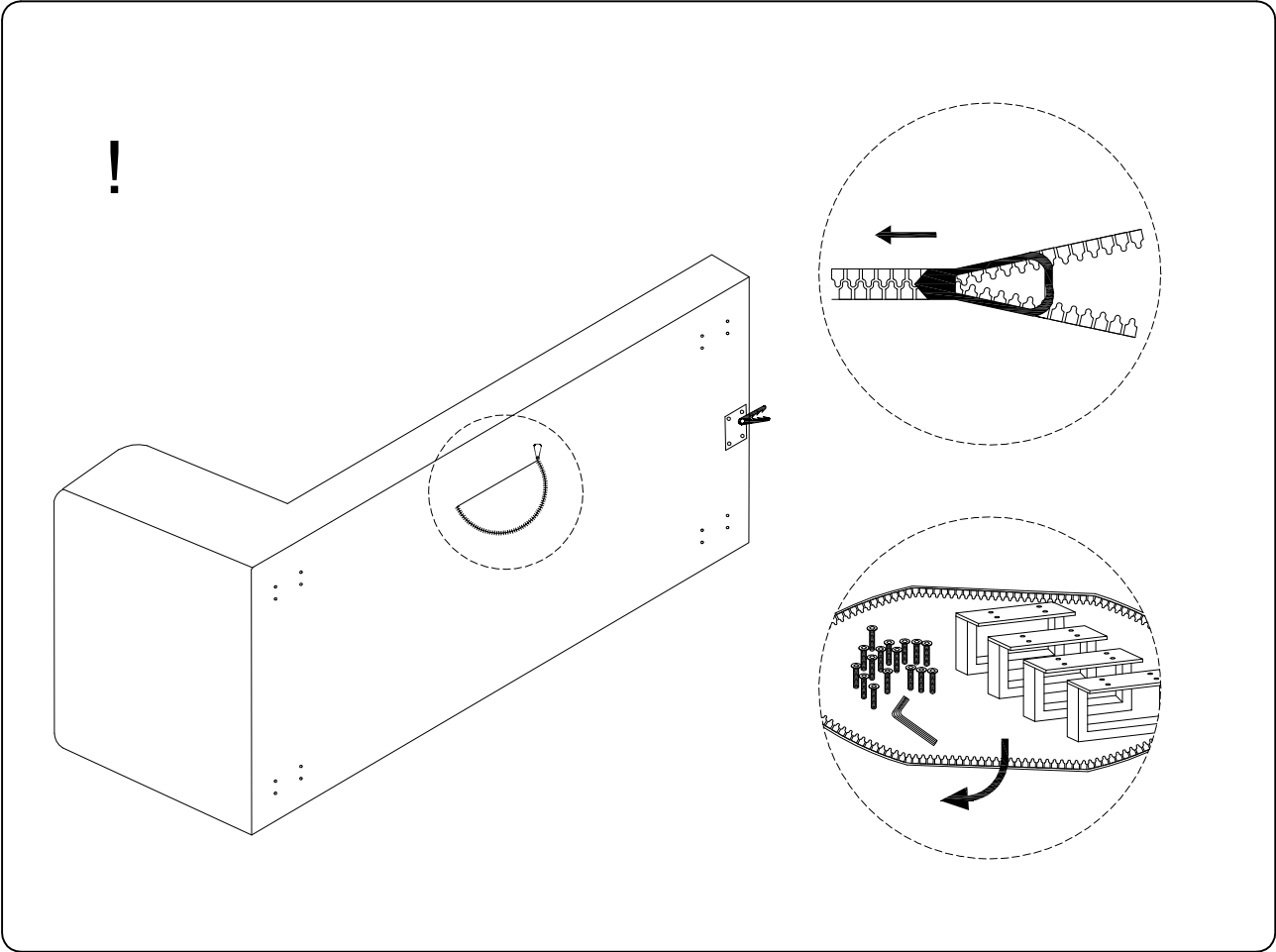
25'

2

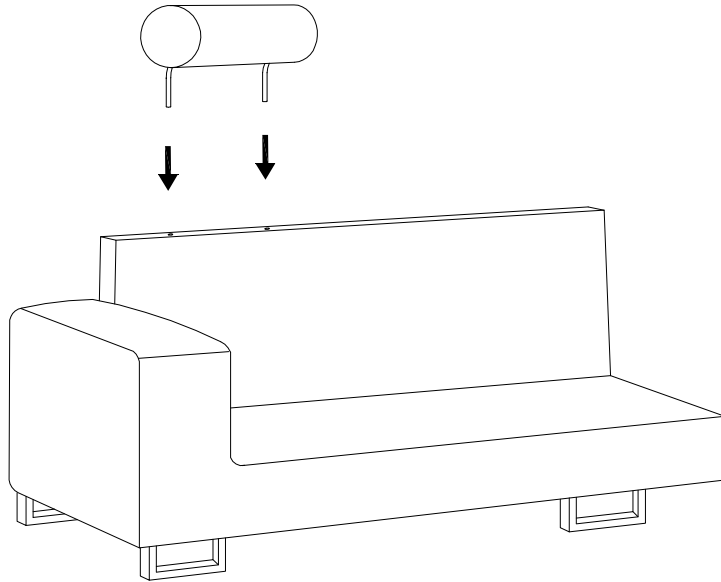
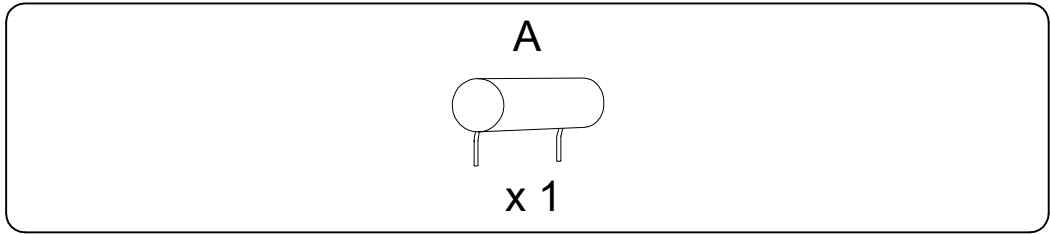
A	B	C
		
x 1	x 2	x 1



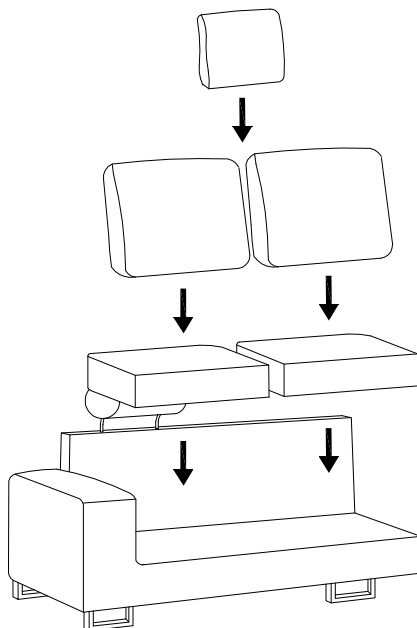
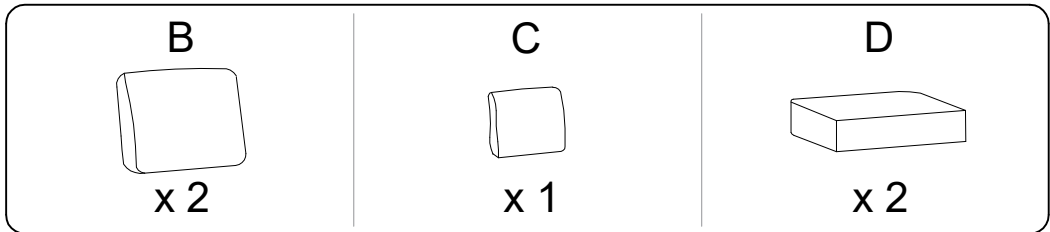
D	E	F	G	H
			 M6 x 25	
x 2	x 1	x 4	x 16	x 1



2



3



!

