



Furniture of America[®]

E-Commerce by Enitial Lab

ASSEMBLY INSTRUCTIONS

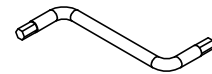
MODEL #

CM7521Q

Questions?

GIVE US CALL: 1-888-980-5122
MON-FRI 8:30AM - 5:30PM (PST)

TOOLS REQUIRED



Allen Wrench

(Included)



Wrench

(Included)

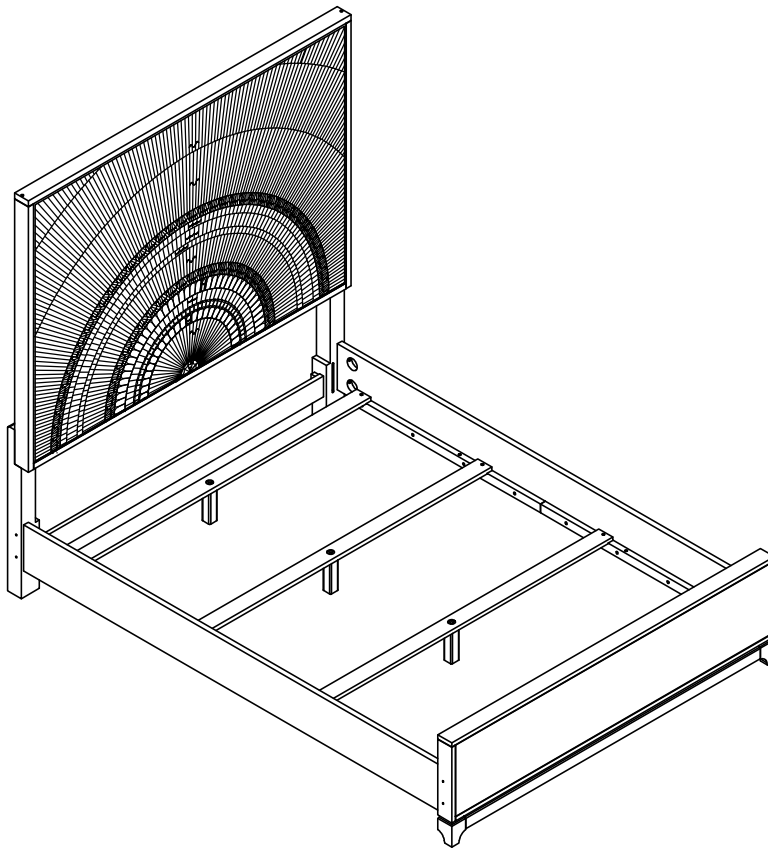


Phillips Screwdriver

(Not Included)



**3 - People
Recommended**



ASSEMBLY RATING



EASY —————> DIFFICULT

The Assembly Rating is a 5-point system showing the level of effort needed to assemble a specific product.




FOA Intro

Thank you for your purchase!


We hope you enjoy this new addition to your home for many years to come.

Our commitment to providing quality products does not simply end when you purchase our product. We fully stand behind our products from start to finish. Our customer service department is available Monday – Friday 8:30 AM – 5:30 PM Pacific and can help with assembly questions as well as, if necessary, replacing damaged or missing parts. To help expedite our service, please have these assembly instructions readily available, along with your order receipt.


 **Consumer Hotline**
Toll-Free 1-888-980-5122

 **WEBSITE**
www.foagroup.com

    foagroup

 **Monday to Friday**
8:30AM- 5:30PM (PST)

 **E-MAIL**
cs.ec@foagroup.com

 FurnitureOfAmerica

CHECK BEFORE STARTING

Are you missing anything?

Double-check all parts, hardware and accessories listed on Page 6 are accounted for.

Should we send any replacements?

Are there any irregularities or flaws in the parts? We can send replacements!

Check out our Quick Tips!

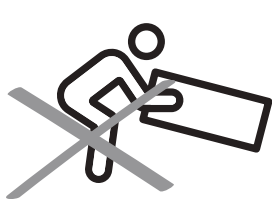
We recommend reviewing the pre-assembly handouts. Even experts need a refresher now and then!

Prep Time!

Please review the assembly instructions and all diagrams prior to assembling. Arrange parts as recommended on Page 7 and group identical hardware together to make assembling easier.

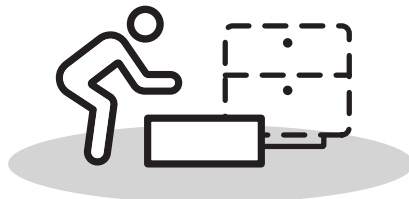
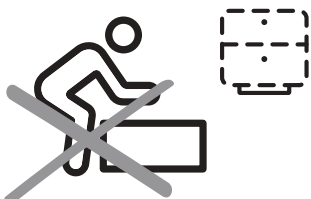
PRE ASSEMBLY INTRODUCTION

We understand building ready-to-assemble furniture can be a challenging experience for some. To help avoid confusion, we have provided some helpful tips that may speed up the process.



Teamwork

ALWAYS have at least two people to help with transporting and assembling the product to avoid potential injury and/or damage.



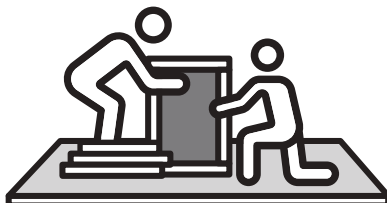
Suitable Location

Assembling near the area of the intended location is highly recommended.



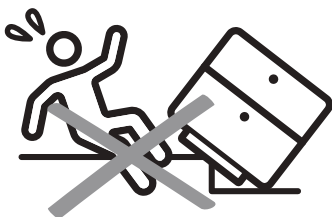
Sufficient Space

Make sure you have enough space to move around during the assembly.



Avoid Scratches

Use cardboard, blankets or a carpeted area while assembling furniture to prevent scratches.



Flat Surface

Make sure the furniture rests on a flat and level surface with each leg evenly touching the floor.

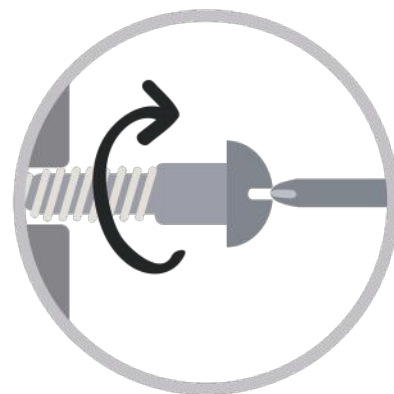
ASSEMBLY AND CARE ADVICE



FAILURE TO FOLLOW THE GUIDELINES BELOW MAY RESULT IN INJURY AND/OR PROPERTY DAMAGE.



Position each part correctly and insert screws or bolts into their respective holes.



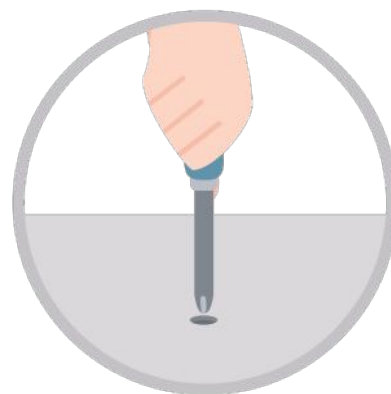
Turn clockwise to tighten and only tighten when step is completed or when instructed to do so.



Use the appropriate hand tools or power tools for assembly. Select steps, such as tightening screws and/or bolts, may require hand tools to avoid causing damage during assembly.



Save the instructions and store any supplied tools for later maintenance.



After two weeks, check and tighten any loose hardware and repeat again every six months thereafter.

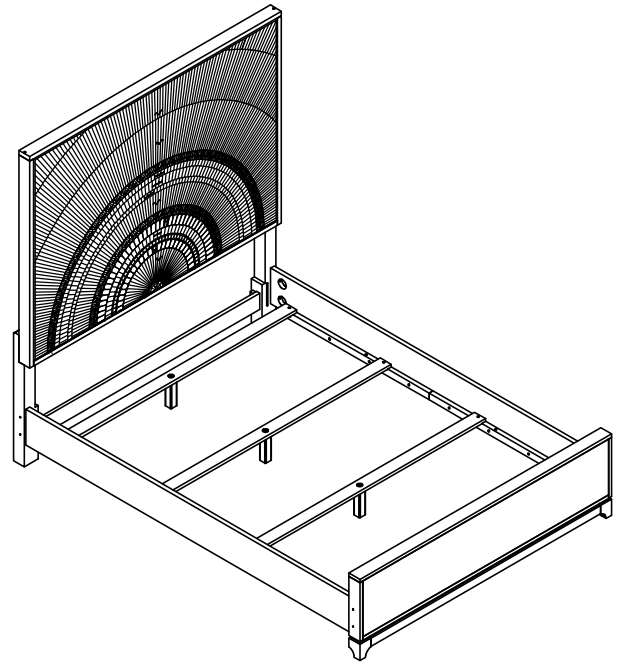
IT IS THE USER'S RESPONSIBILITY TO MAINTAIN THE FURNITURE. THE HARDWARE MAY LOOSEN OVER TIME AND MAY CAUSE THE FURNITURE TO BE WOBBLY AND UNABLE TO SUPPORT ITS INTENDED WEIGHT CAPACITY. THIS MAY LEAD TO COLLAPSE AND MAY CAUSE SERIOUS INJURY.

BED

CM7521Q

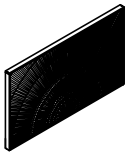


- Please keep instructions for future reference.
- Check the quantity and irregularity of parts and hardware before you start.



PARTS

#1 1pc



Headboard

#2R 1pc



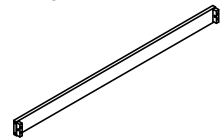
Right H/Board Leg

#2L 1pc



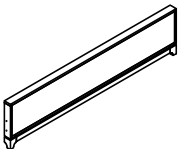
Left H/Board Leg

#3 1pc



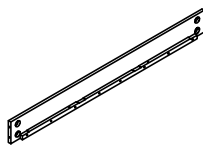
Leg Support

#4 1pc



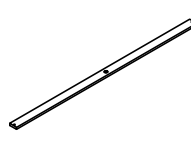
Footboard

#5 2pcs



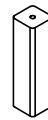
Side Rail

#6 4pcs



Slat

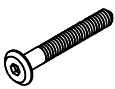
#7 4pcs



Slat Support Leg
40x40x148mm

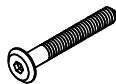
HARDWARE

#A 2pcs



Bolt 1/4" x 1.6"

#B 6pcs



Bolt 1/4" x 1.2"

#C 8pcs



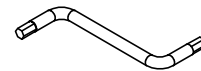
Lock Washer

#D 8pcs



Flat Washer

#E 1pc



Allen Wrench

#F 8pcs



Threaded Stud

#G 8pcs



Hex Nut

#H 8pcs



Beveled Washer

#I 1pc



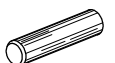
Wrench

#J 8pcs



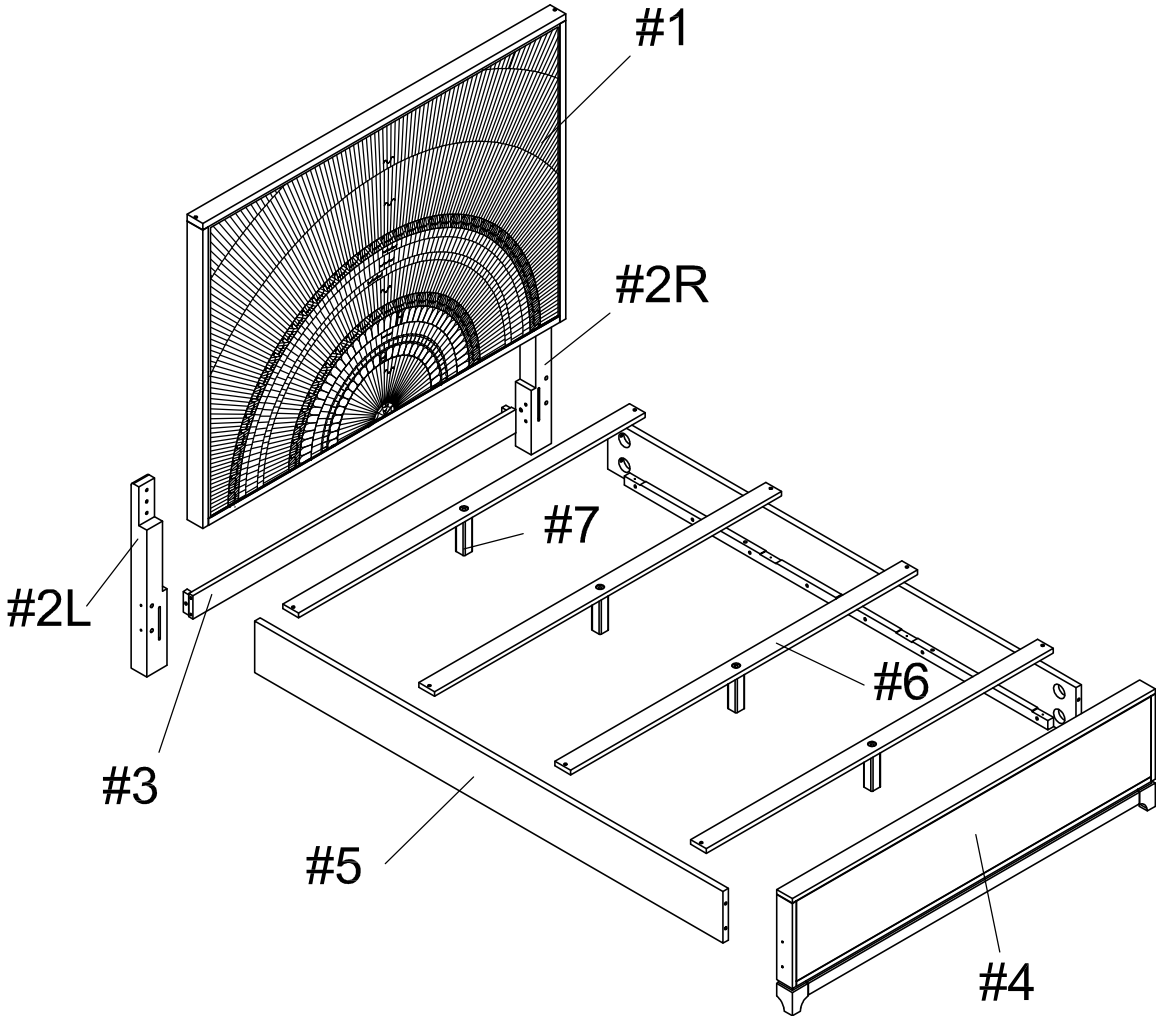
Screw 1-1/4"

#K 4pcs



Dowel

Exploded View

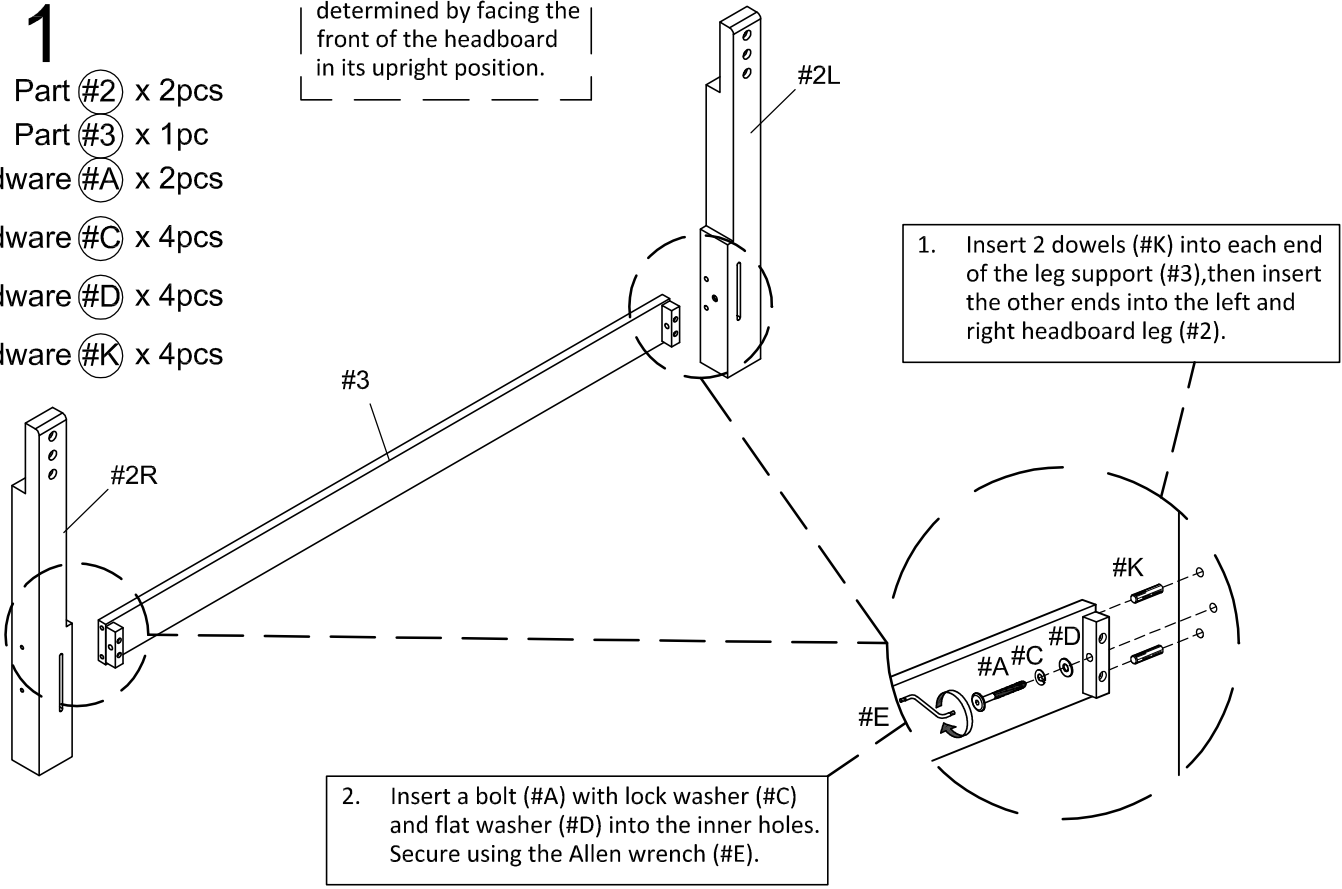


ASSEMBLY INSTRUCTIONS

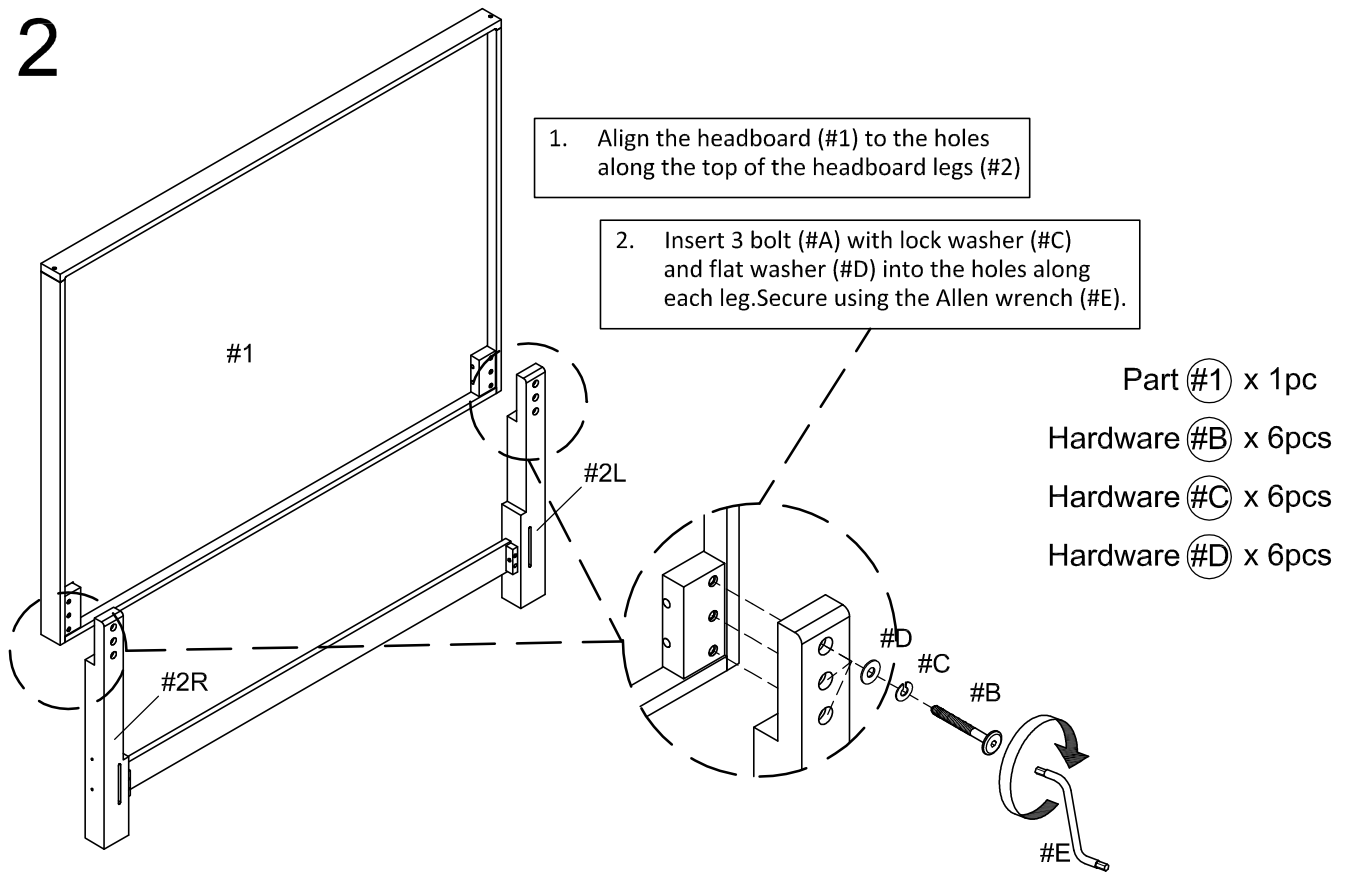
1

- Part #2 x 2pcs
- Part #3 x 1pc
- Hardware #A x 2pcs
- Hardware #C x 4pcs
- Hardware #D x 4pcs
- Hardware #K x 4pcs

Note : Left and right is determined by facing the front of the headboard in its upright position.



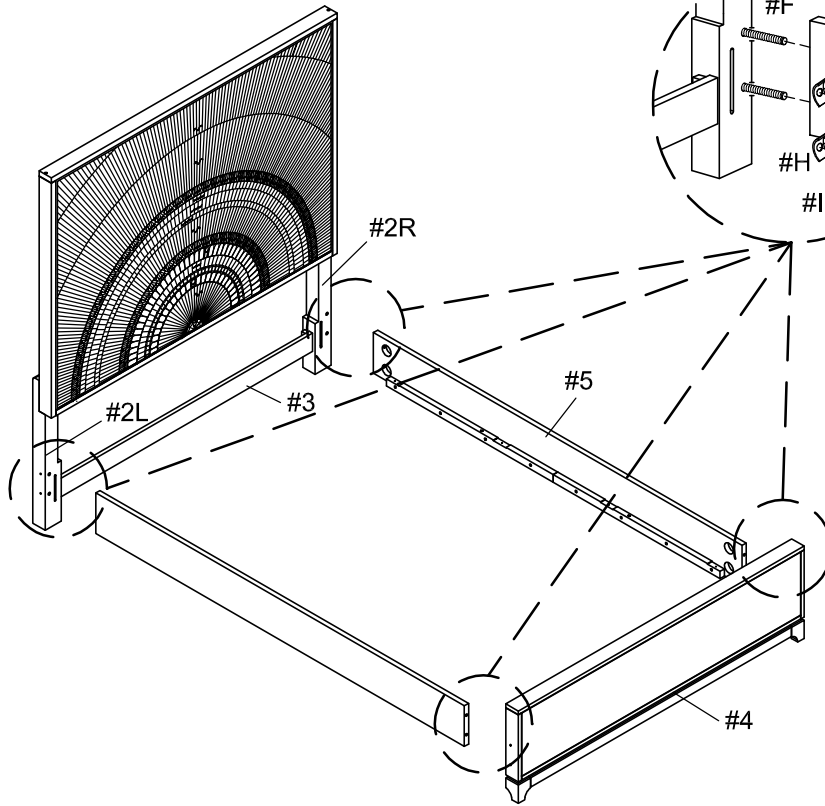
2



ASSEMBLY INSTRUCTIONS

1. Insert the threaded studs (#F) into the holes along the headboard legs (#2), then place each end of the side rails (#5) onto those studs.

3



Part #4 x 1pc

Part #5 x 2pcs

Hardware #F x 8pcs

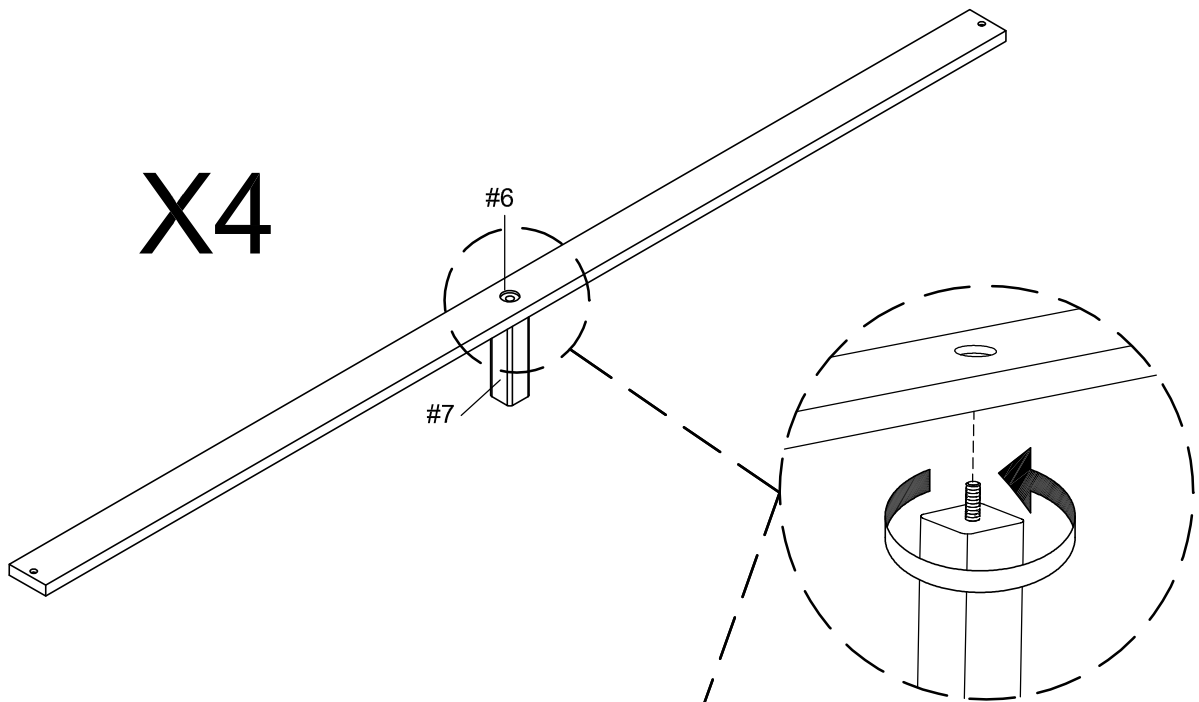
Hardware #G x 8pcs

Hardware #H x 8pcs

2. Apply a beveled washer (#H) then a hex nut (#G) onto each stud from within the rails. Secure using the wrench.

4

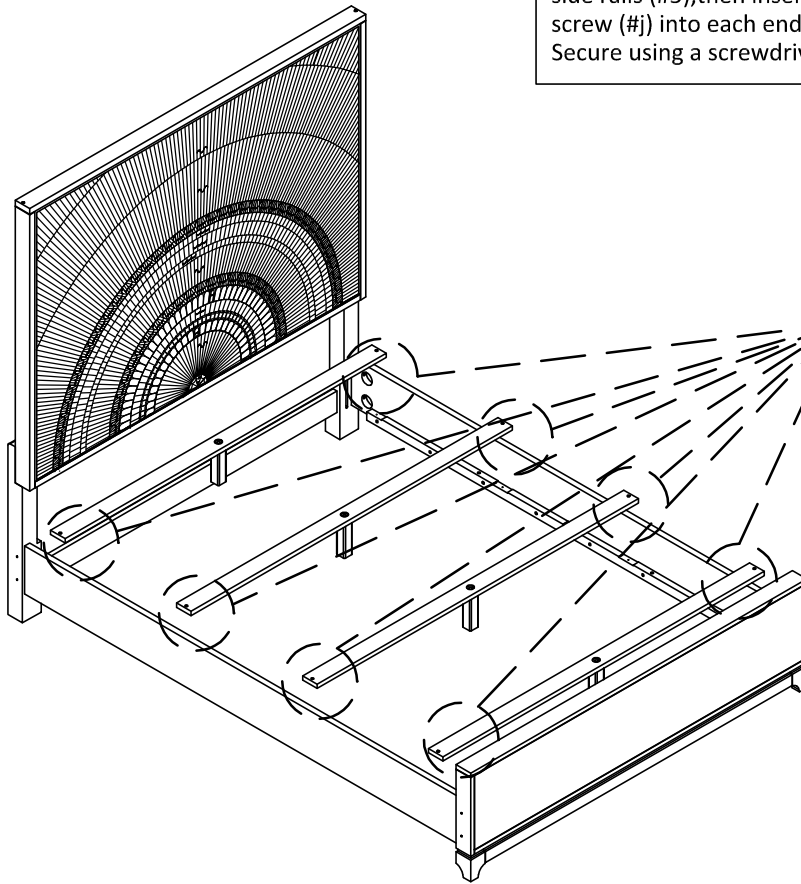
X4



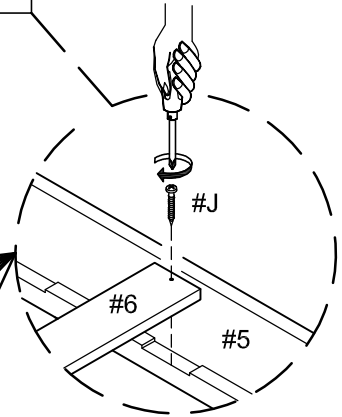
- Insert the threaded ends of the slat support legs (#7) into the holes along the slats (#6), turn right to tighten.

ASSEMBLY INSTRUCTIONS

5



Place the slats (#6) onto the side rails (#5), then insert a screw (#j) into each end. Secure using a screwdriver.

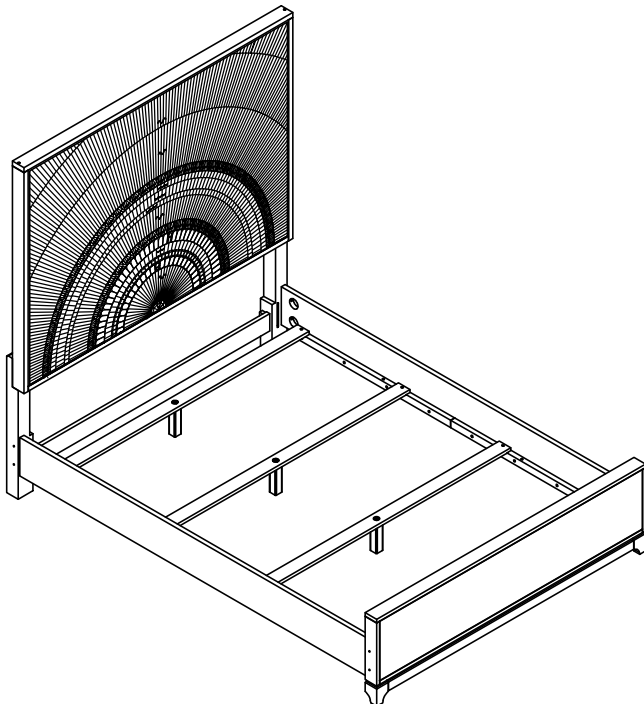


Part #6 x 4pcs

Part #8 x 4pcs

Hardware #J x 8pcs

6



ASSEMBLY COMPLETED



Please ensure the furniture rests on an even and flat surface. If the product wobbles or feels loose, double-check all bolts and/or screws are properly tightened and secured.

✓ Keep this handy!

Please retain this instruction manual and any order-related information for future reference.

✓ Lift, don't drag!

To avoid damage to product please always LIFT the product when transporting or adjusting the placement.