

MODEL: NIGHT STAND 1 DRAWER / STORAGE

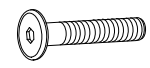


ASSEMBLY INSTRUCTIONS

Read this instructions carefully. See hardware and furniture part list for guidance.
 Be sure all part is complete before you assemble.
 Place all wooden furniture part on a clean and flat soft surface to prevent from being scratched.
 Follow the figure to start assembling.

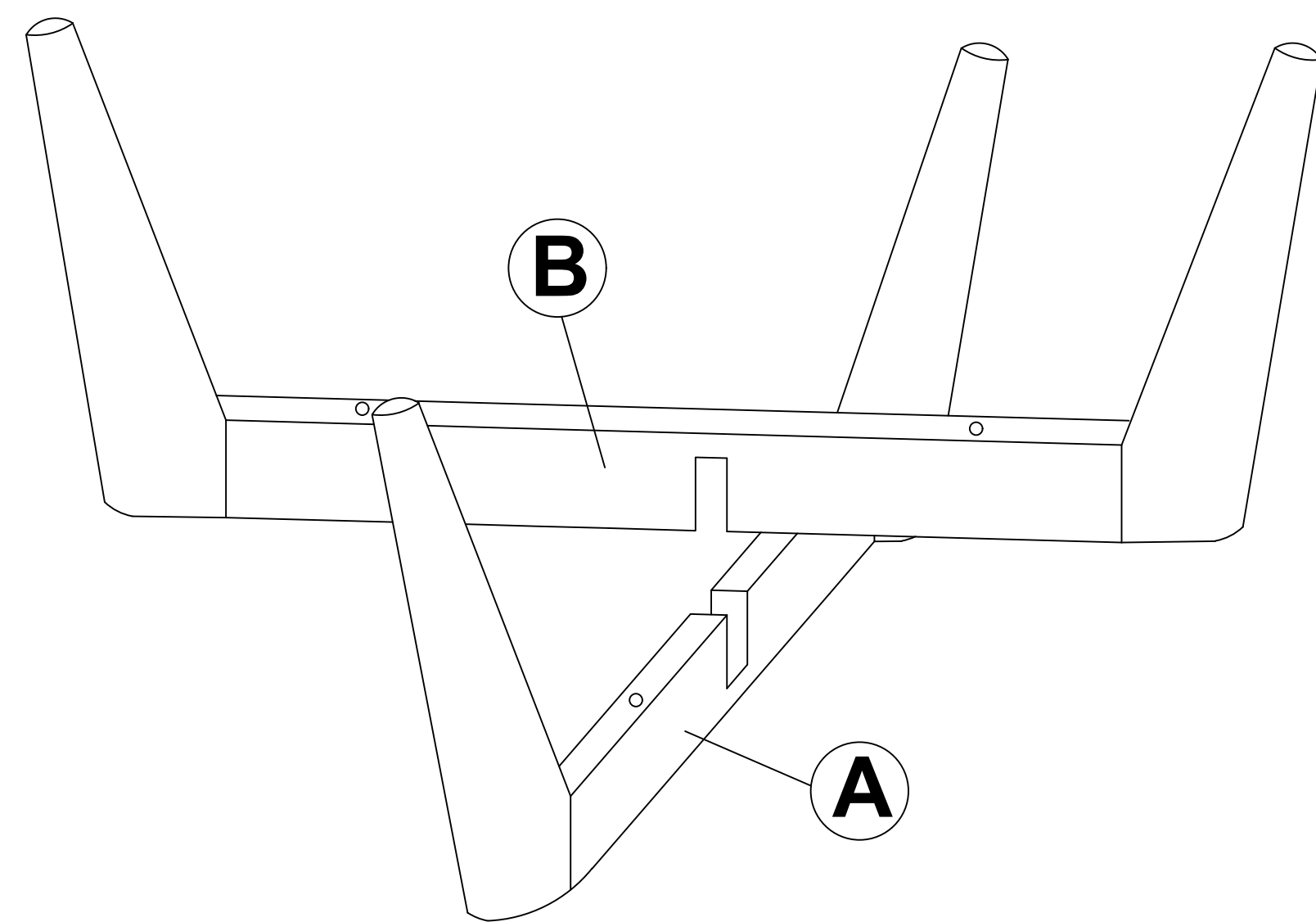
- CAUTIONS:**
1. Do not **FULLY-TIGHTEN** the nut or nut bolt until all nut or bot is ready assembled.
 2. Do not **OVER-TIGHTEN** the nut or nut bolt to avoid causing damages to the thread.
 3. Keep all hardware out of reach of children.

NOTE: THE LIST AND QUANTITY SHOWN ARE FOR 1 UNIT ASSEMBLY.

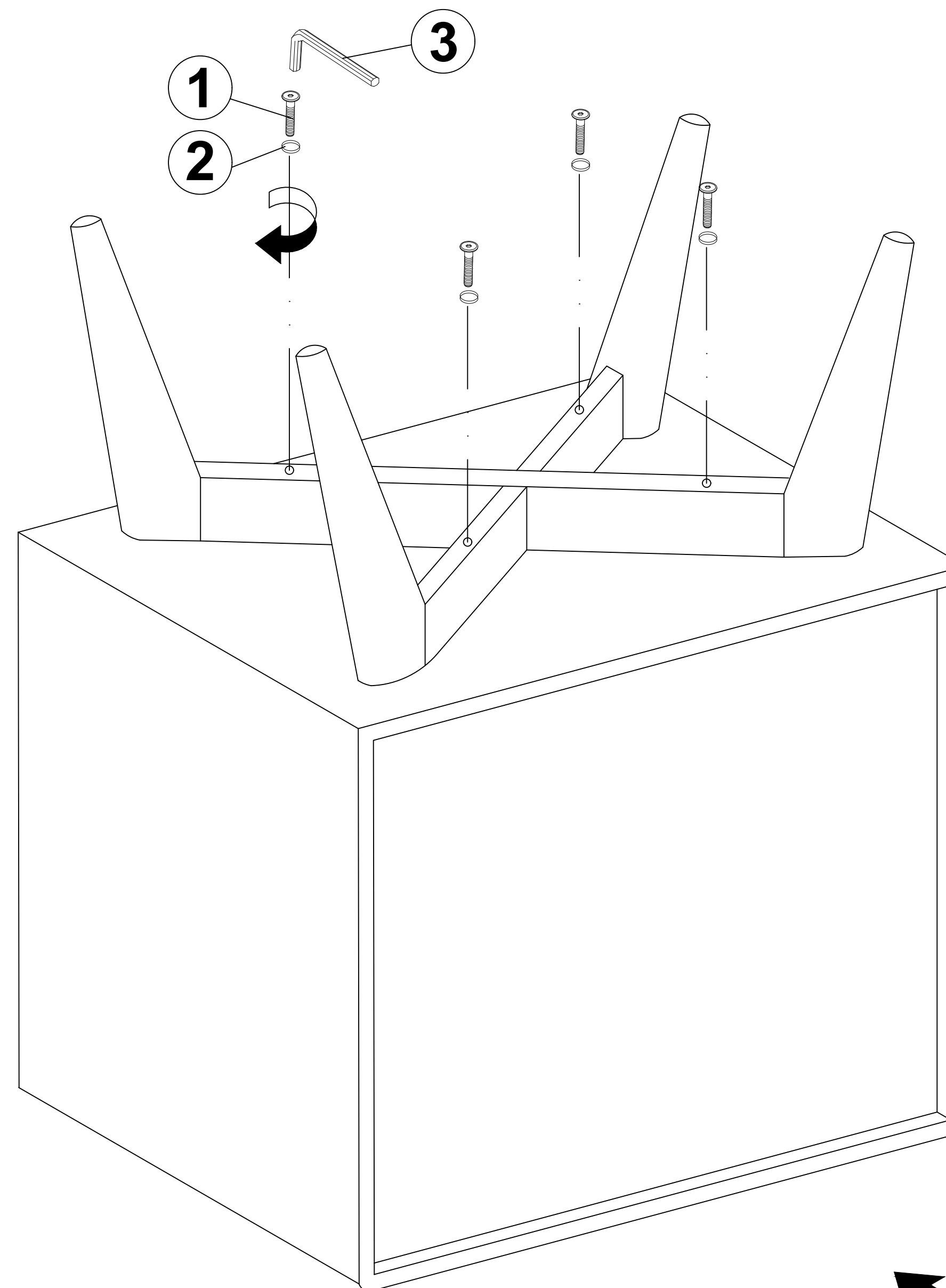
PART LIST		
NO	DESCRIPTION	QTY
A	LEG FRAME (UPPER)	1PC
B	LEG FRAME (LOWER)	1PC


HARDWARE LIST		
NO	DESCRIPTION	QTY
1	JCBC M6 x 25MM 	4PCS
2	SPRING WASHER 	4PCS
3	ALLEN KEY M4 	1PC

STEP 1



STEP 2



 **BACK VIEW**

COMPLETED ASSEMBLY

