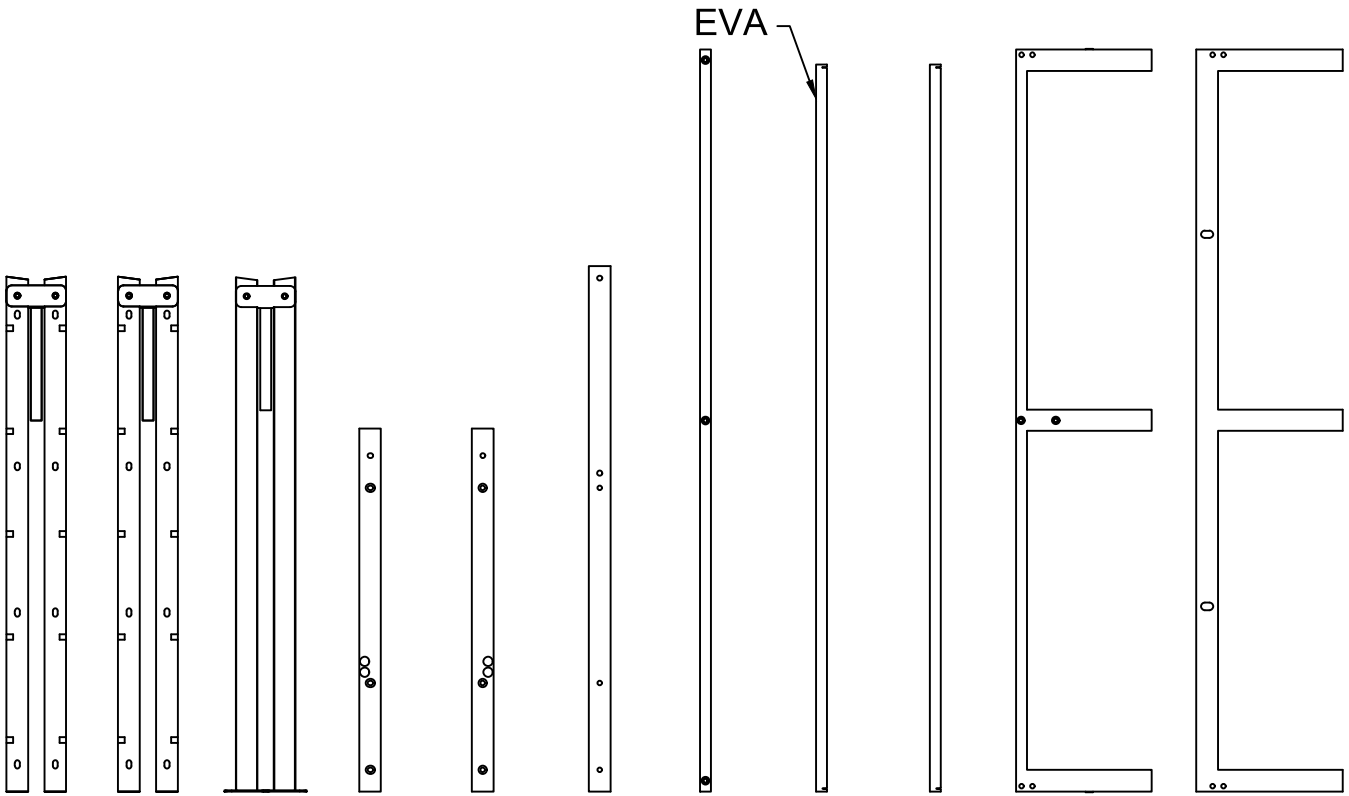


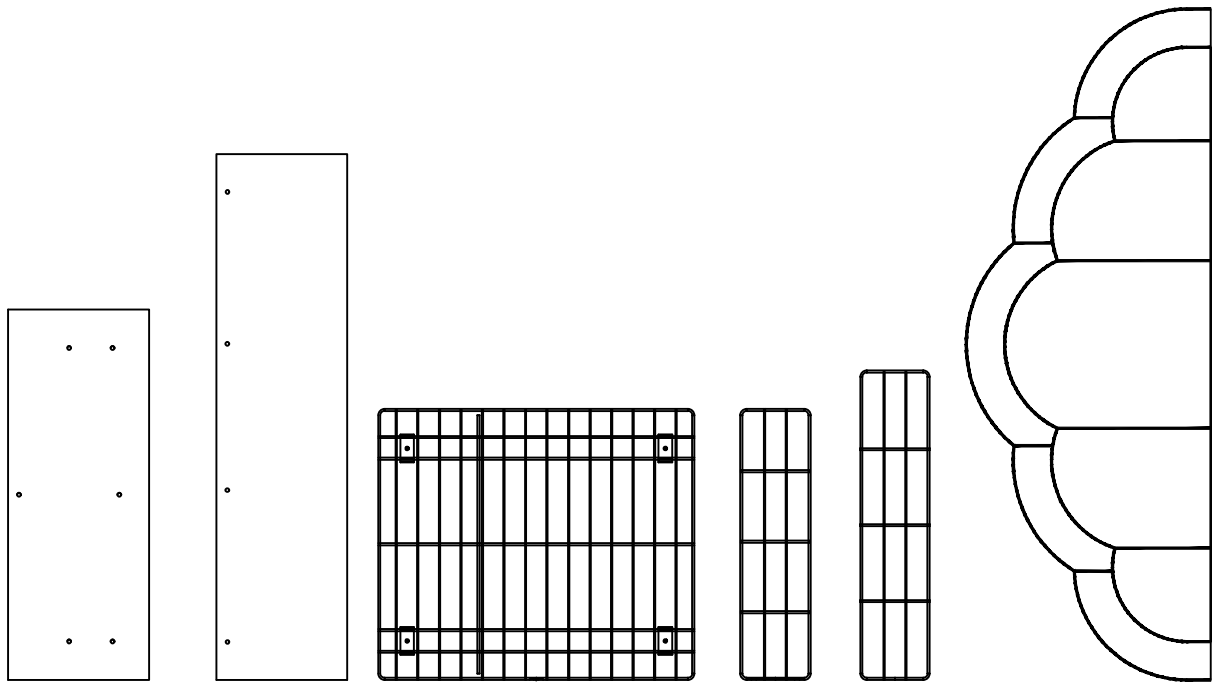
Model: C267-F-BK+PK

PRODUCT GUIDE AND INSTALLATION MANUAL

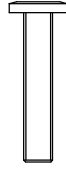
Parts List



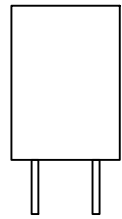
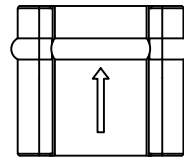
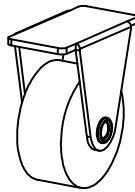
A1	A2	A3	B1	B2	B3	C1	C2	C3	D1	D2
1pcs	1pcs	1pcs	1pcs	1pcs	1pcs	1pcs	4pcs	6pcs	1pcs	1pcs



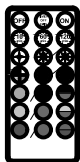
E1	E2	F	F1	F2	G
2pcs	4pcs	2 pcs	4pcs	2pcs	1pcs



X2	X3	X4	X5	X6
1pcs	17pcs	4pcs	2pcs	10pcs
	M8x35mm	M8x15mm	M6x8mm	M6x15mm



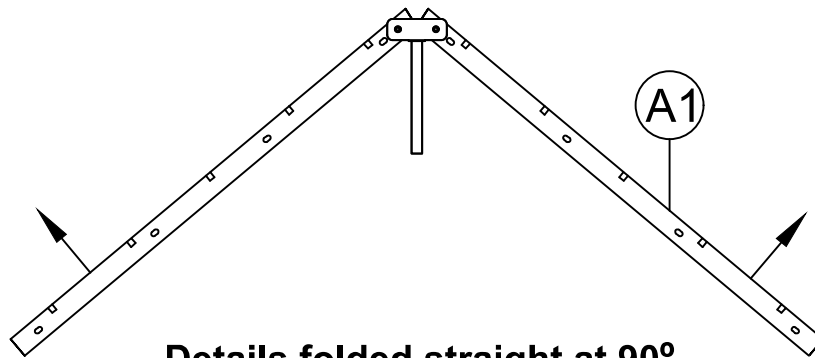
X7	X8	X9	Q	Charger Adapter
20pcs	10pcs	8pcs	22pcs	1pcs
M6x30mm	M4x6mm			



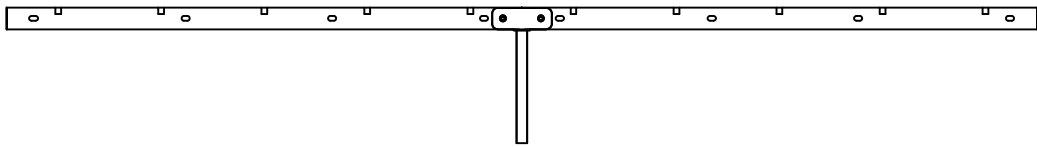
Remote
1pcs

ASSEMBLY

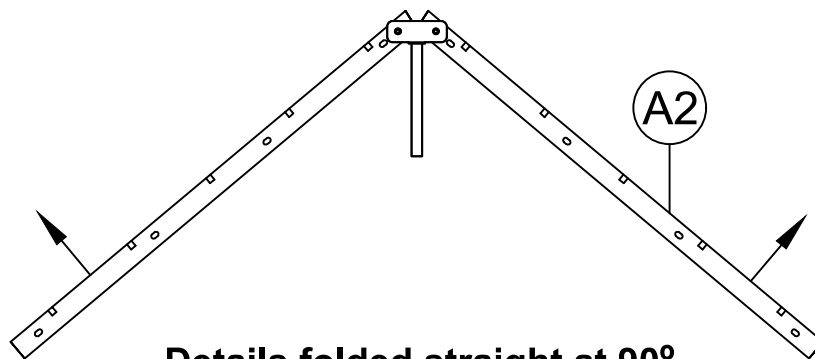
STEP 1



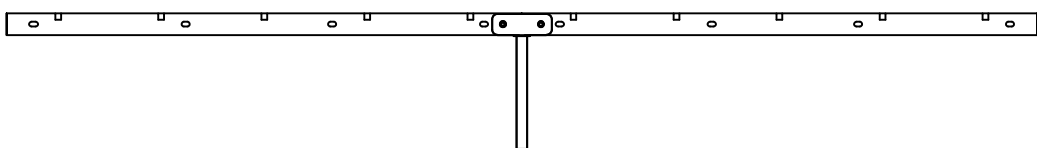
Details folded straight at 90°



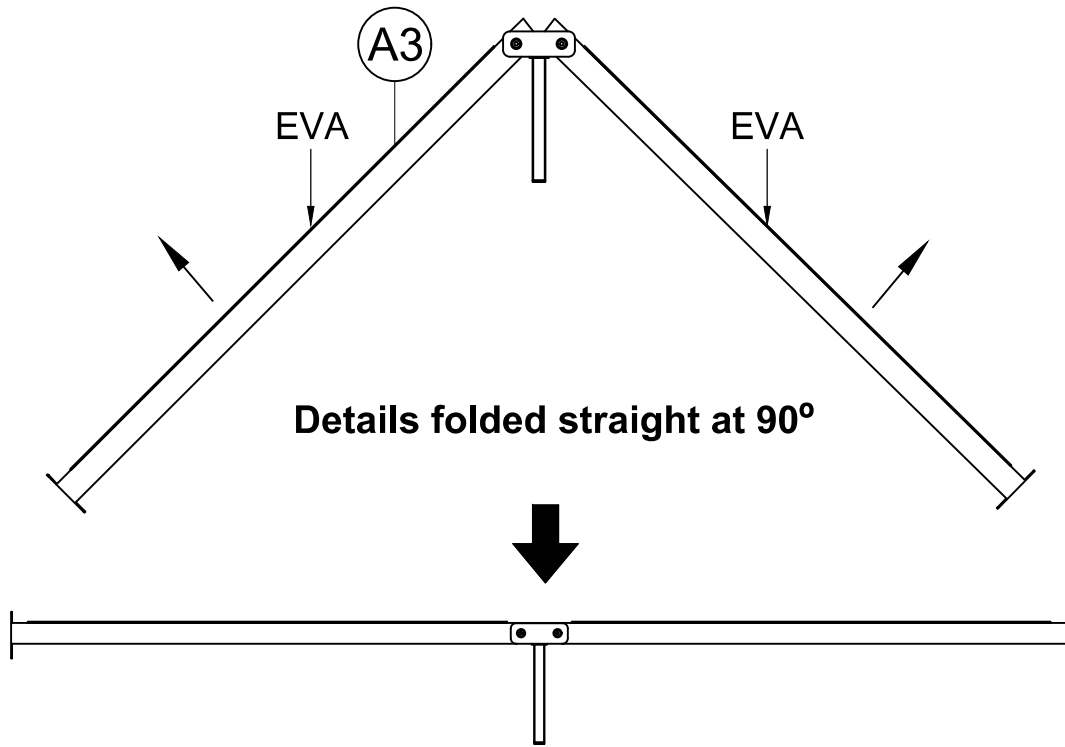
STEP 2



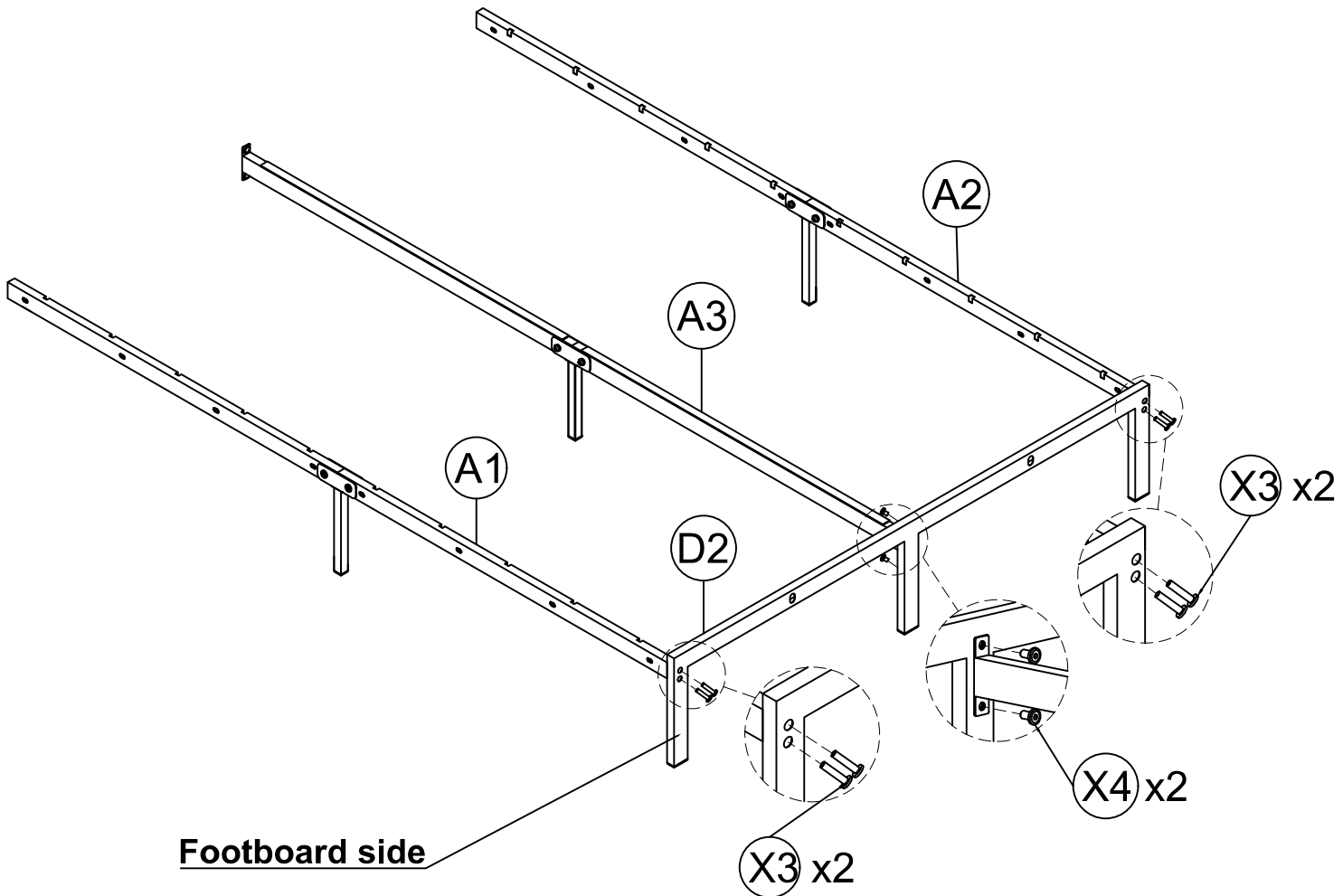
Details folded straight at 90°



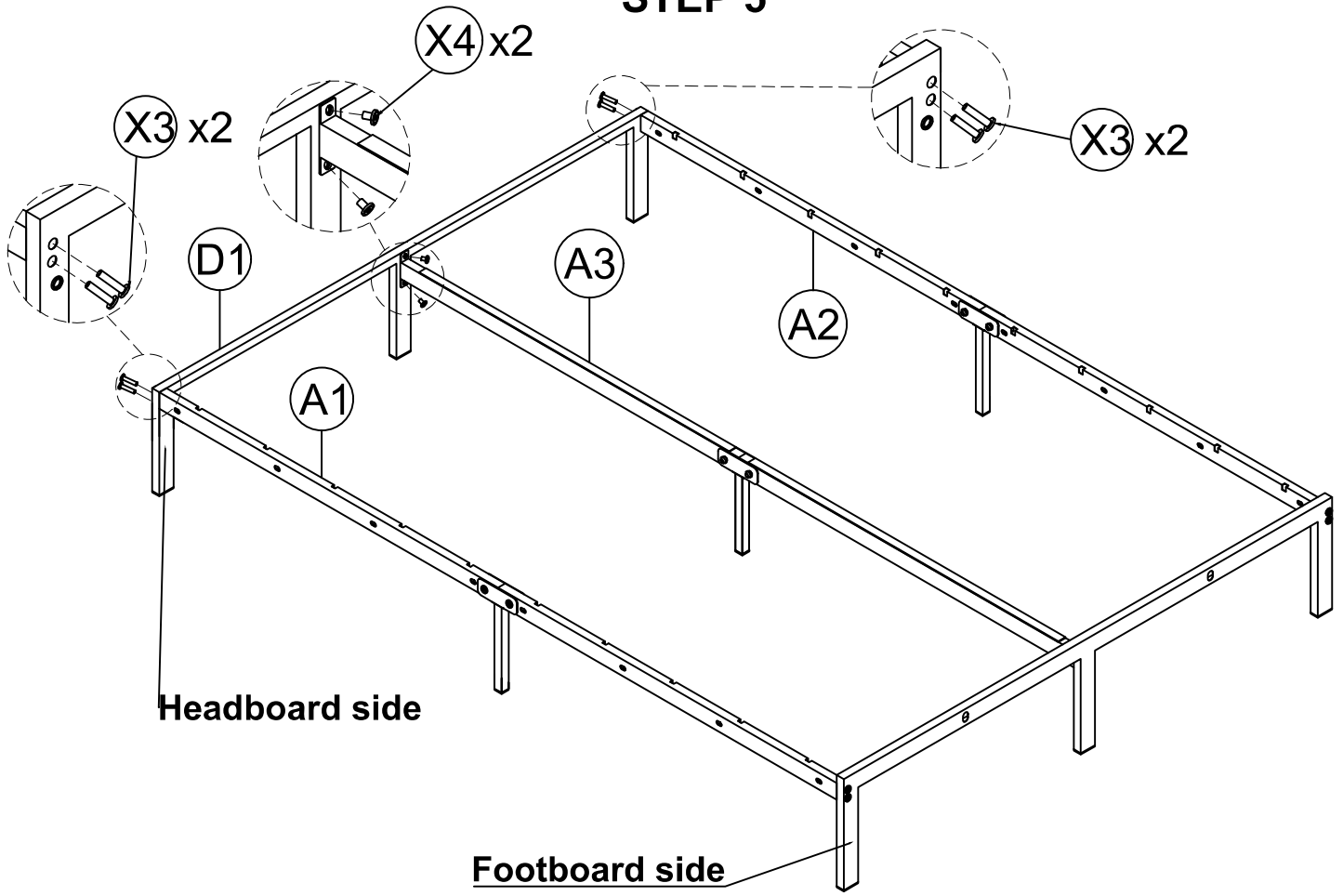
STEP 3



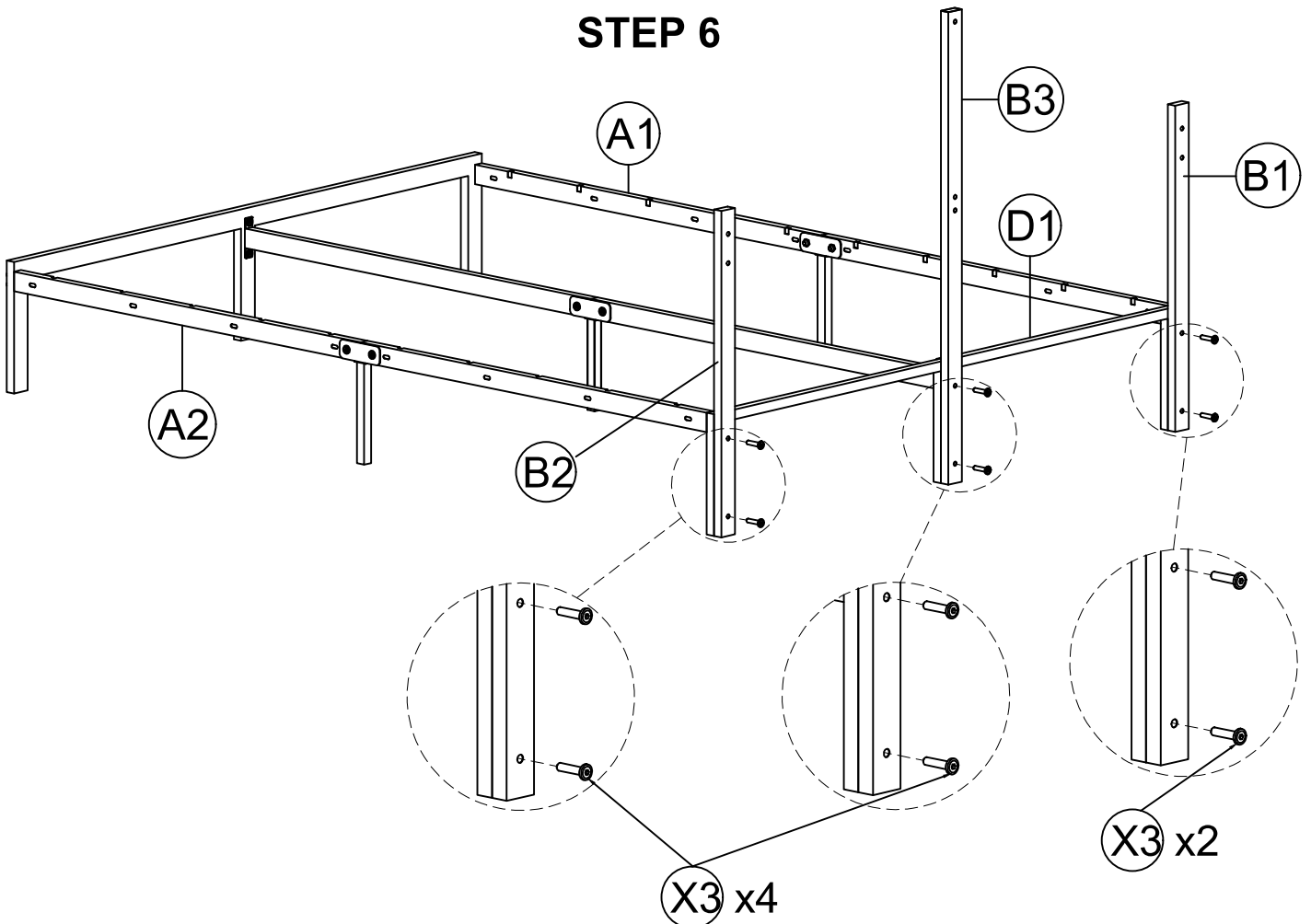
STEP 4



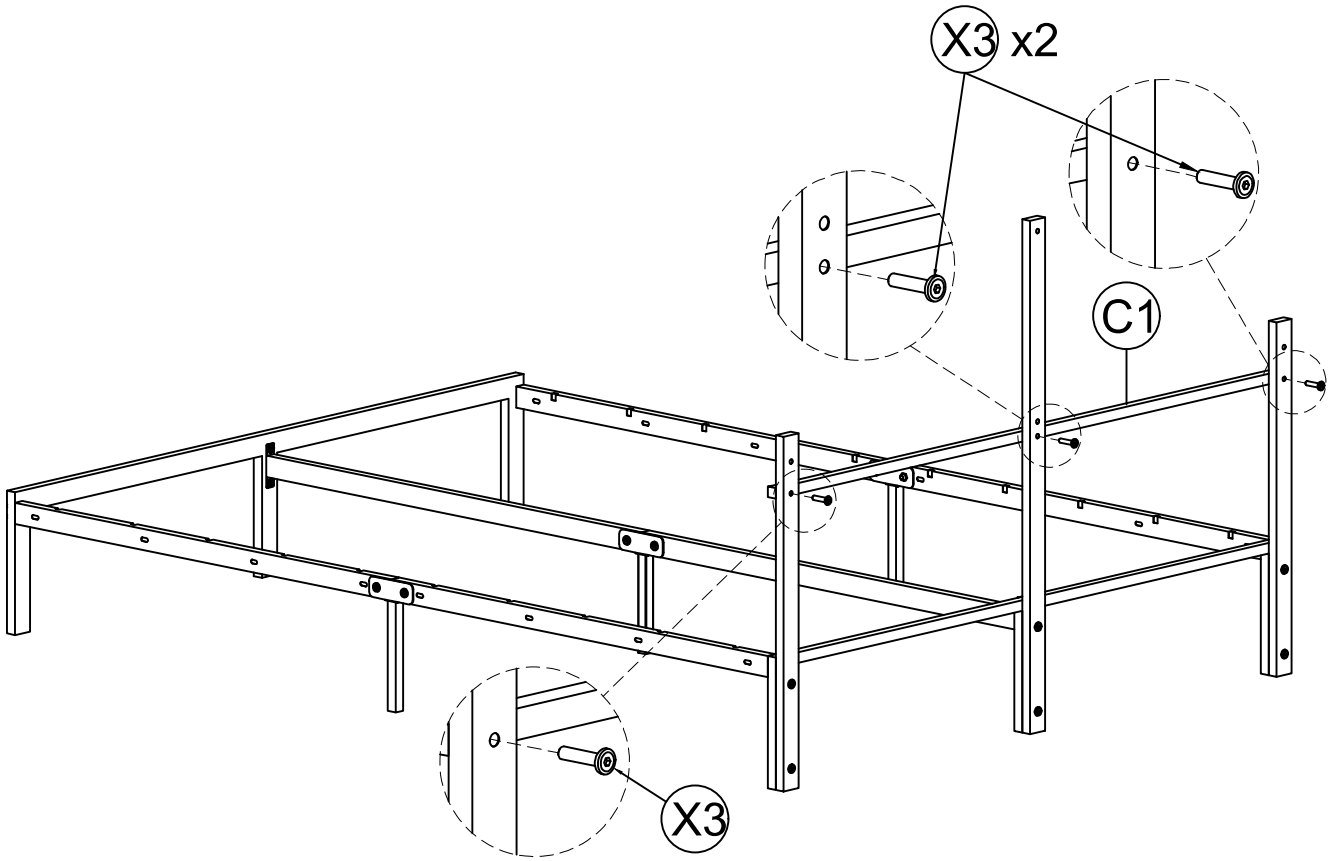
STEP 5



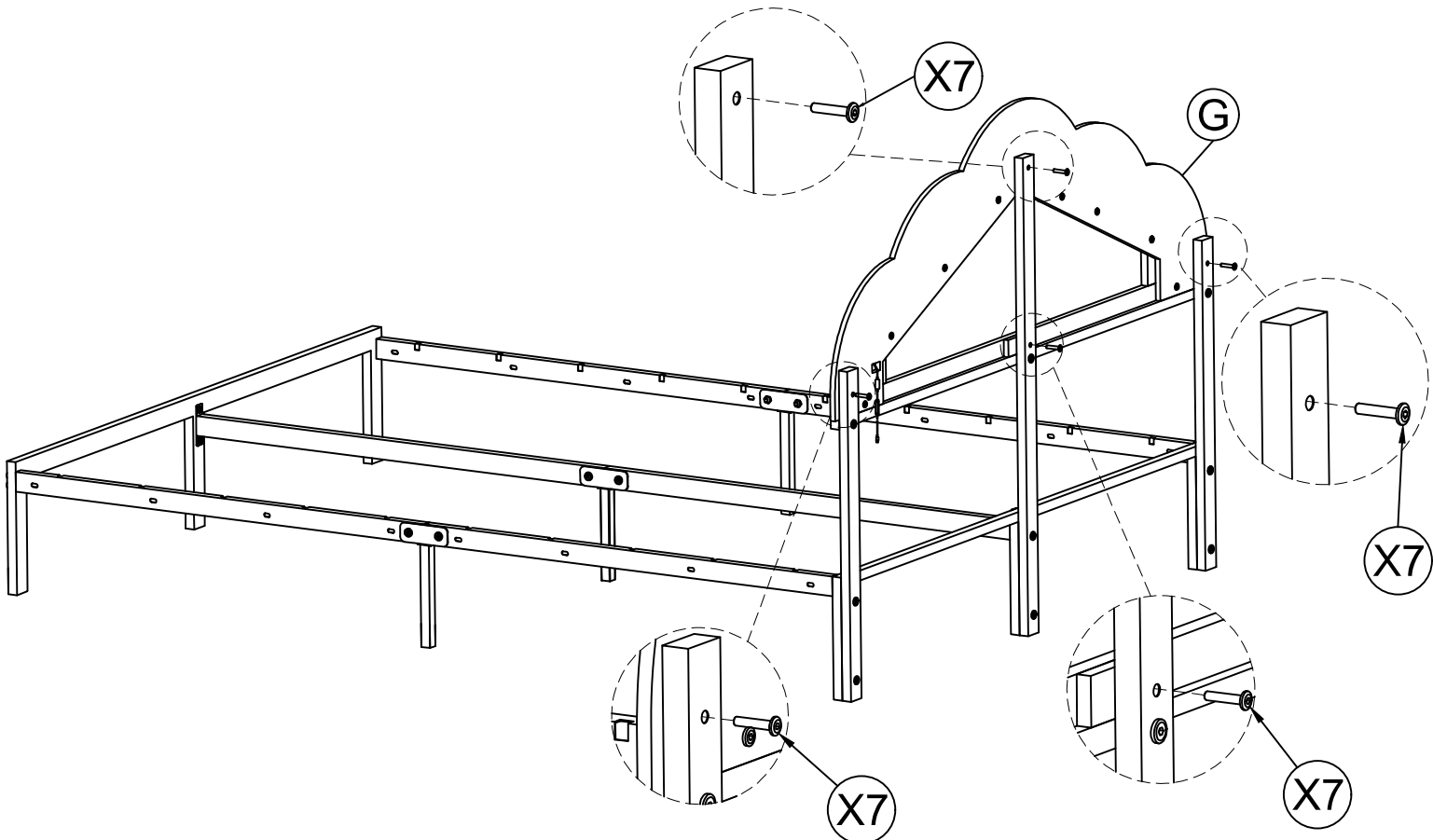
STEP 6



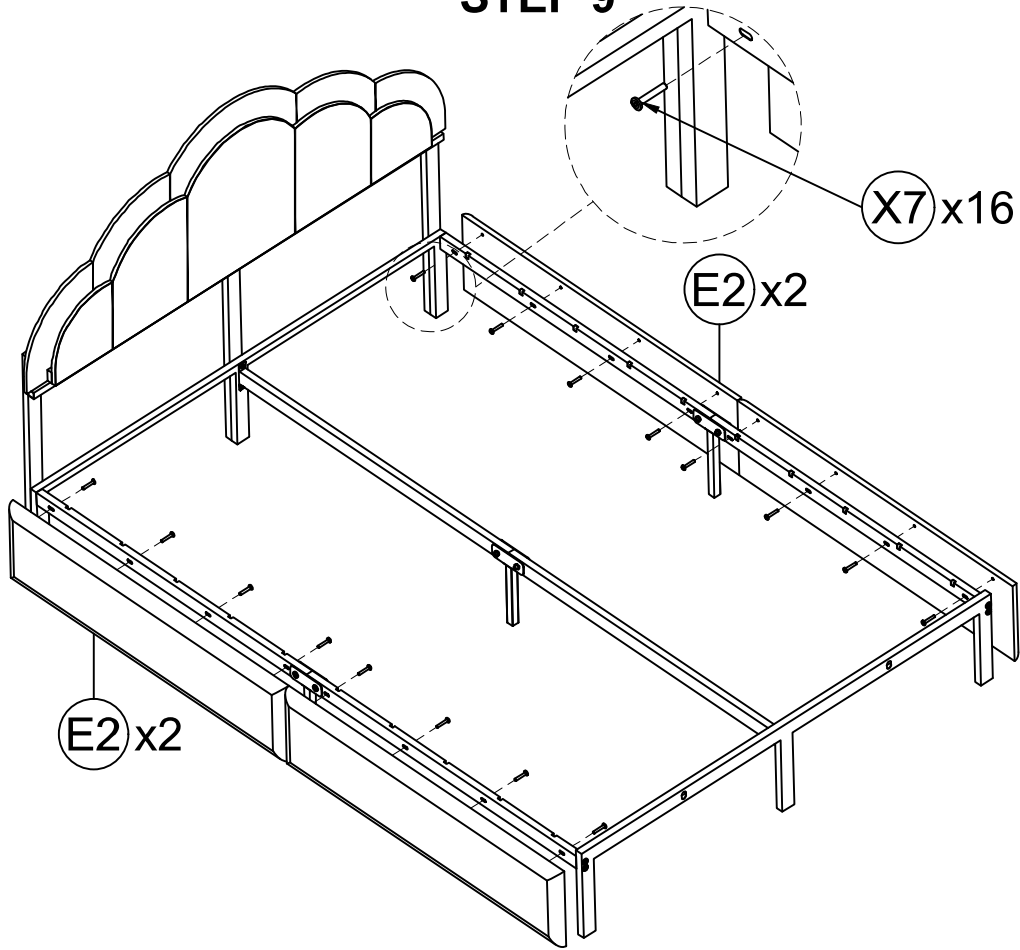
STEP 7



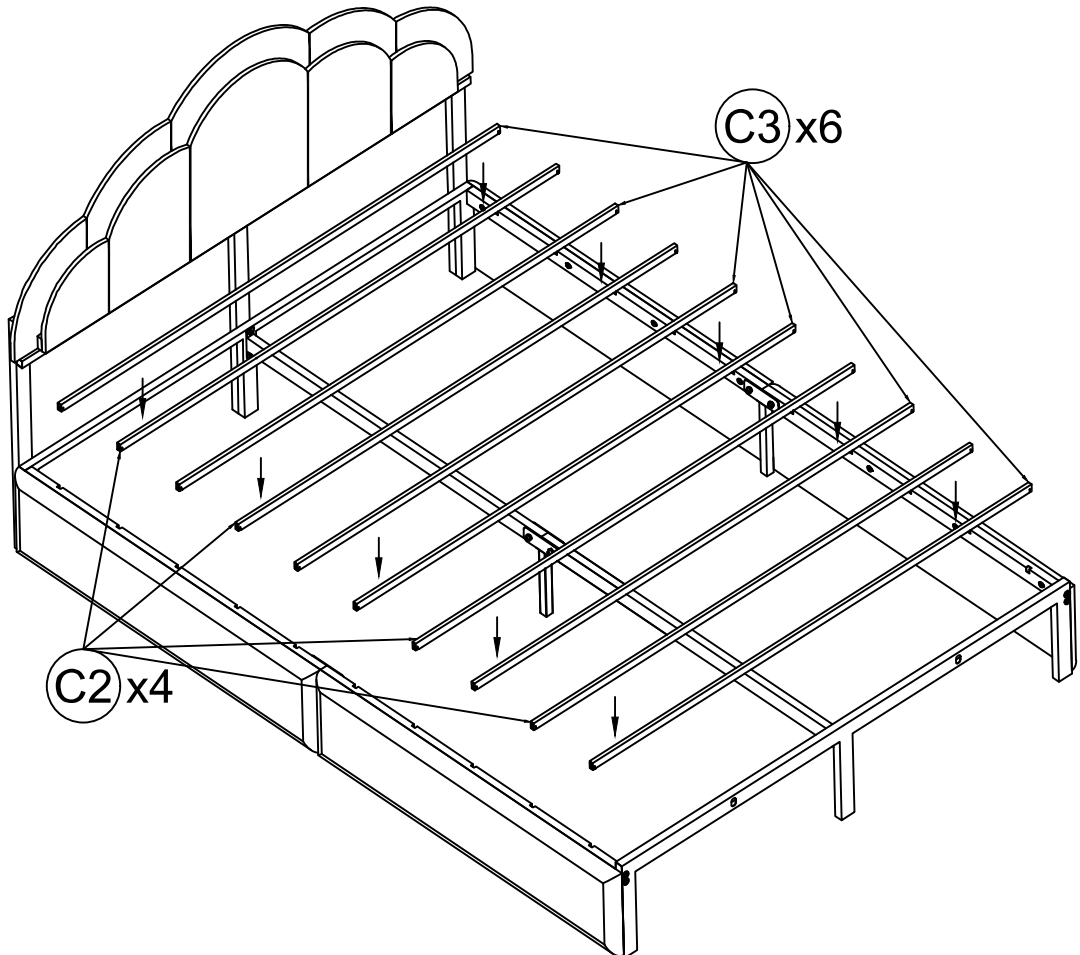
STEP 8



STEP 9

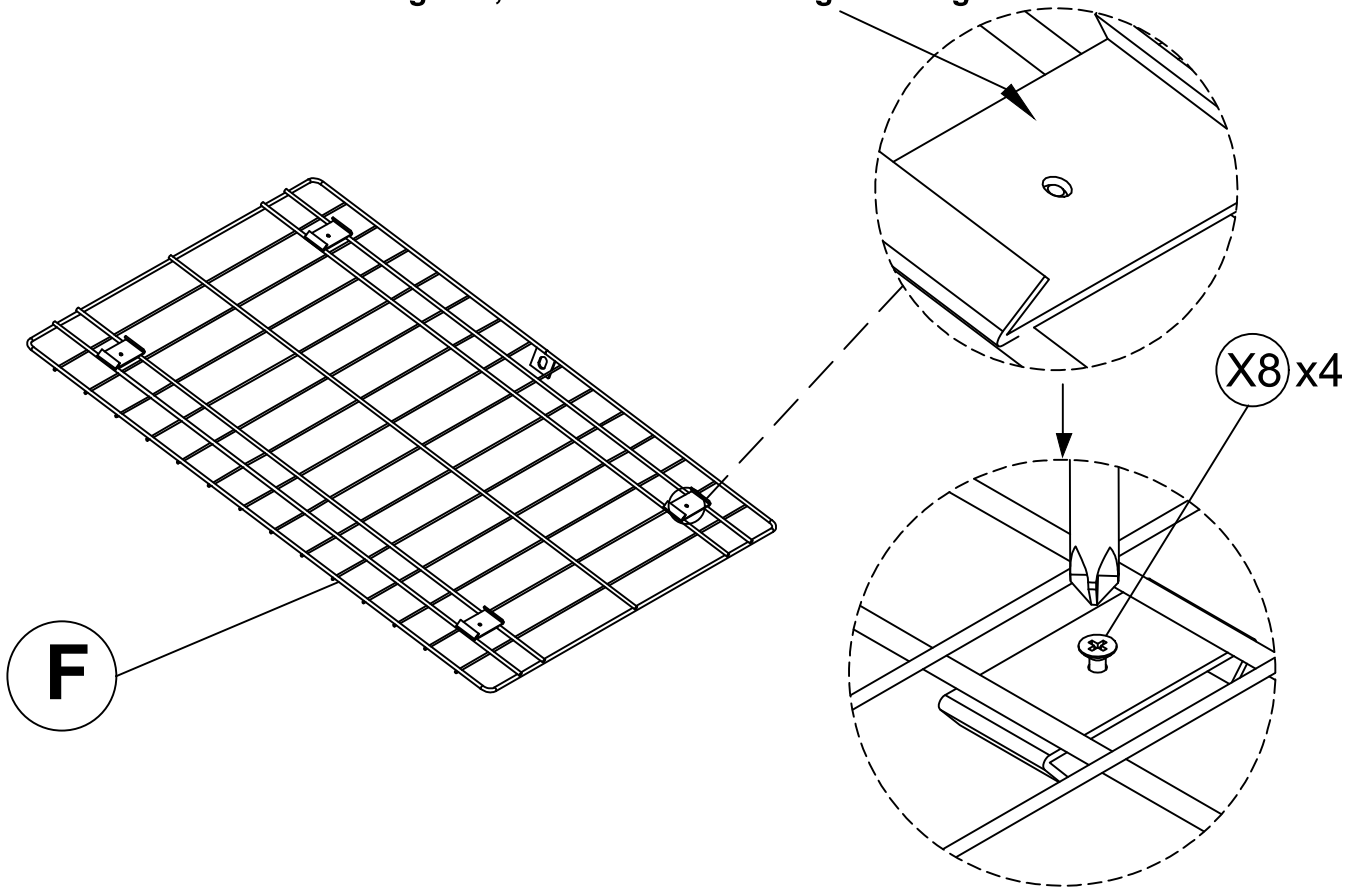


STEP 10

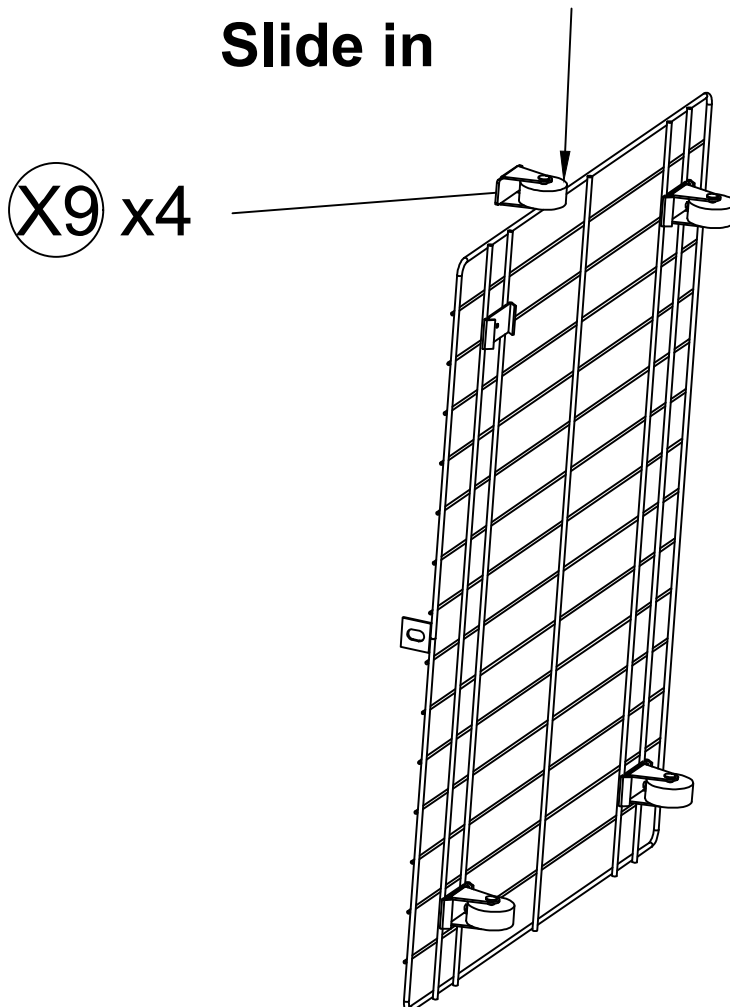


Step 10

Put all the screw in but not tighten, don't let the screws get through all the wheel's holder

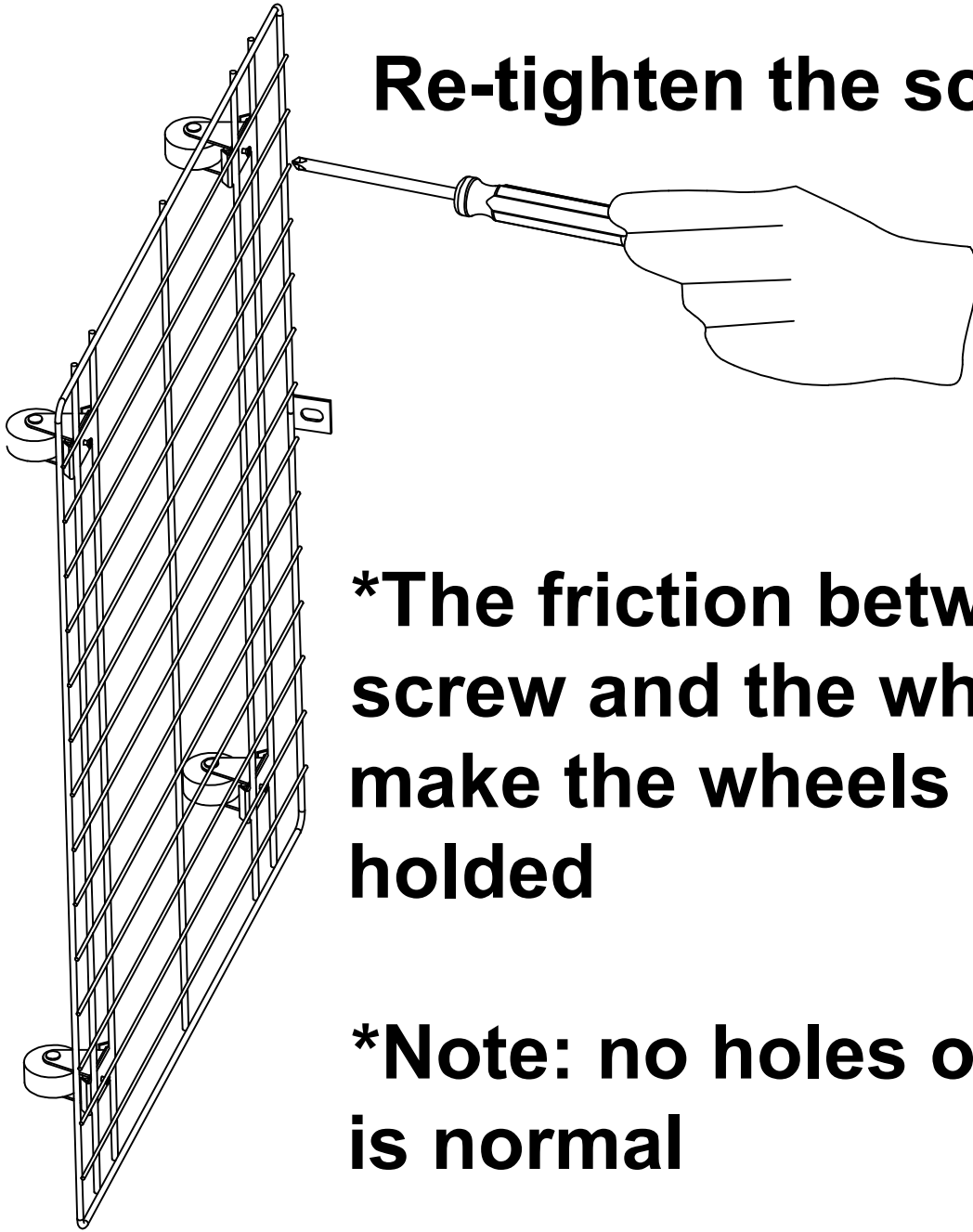


Slide in



Step 11

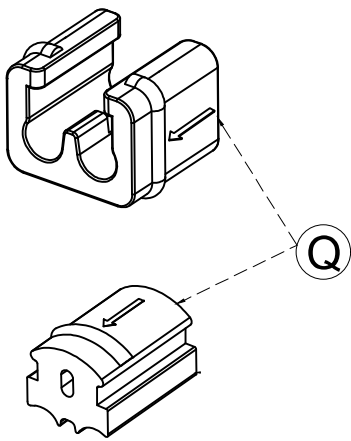
Re-tighten the screws



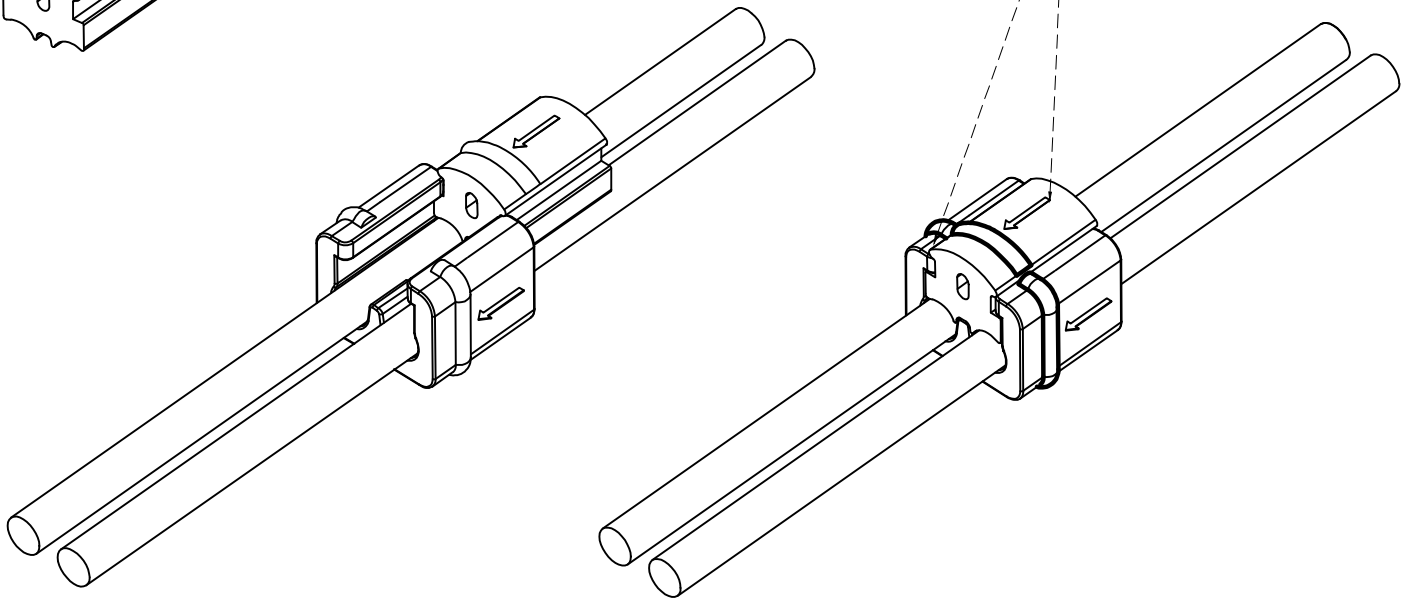
***The friction between the screw and the wheels will make the wheels can be holded**

***Note: no holes on the wheels is normal**

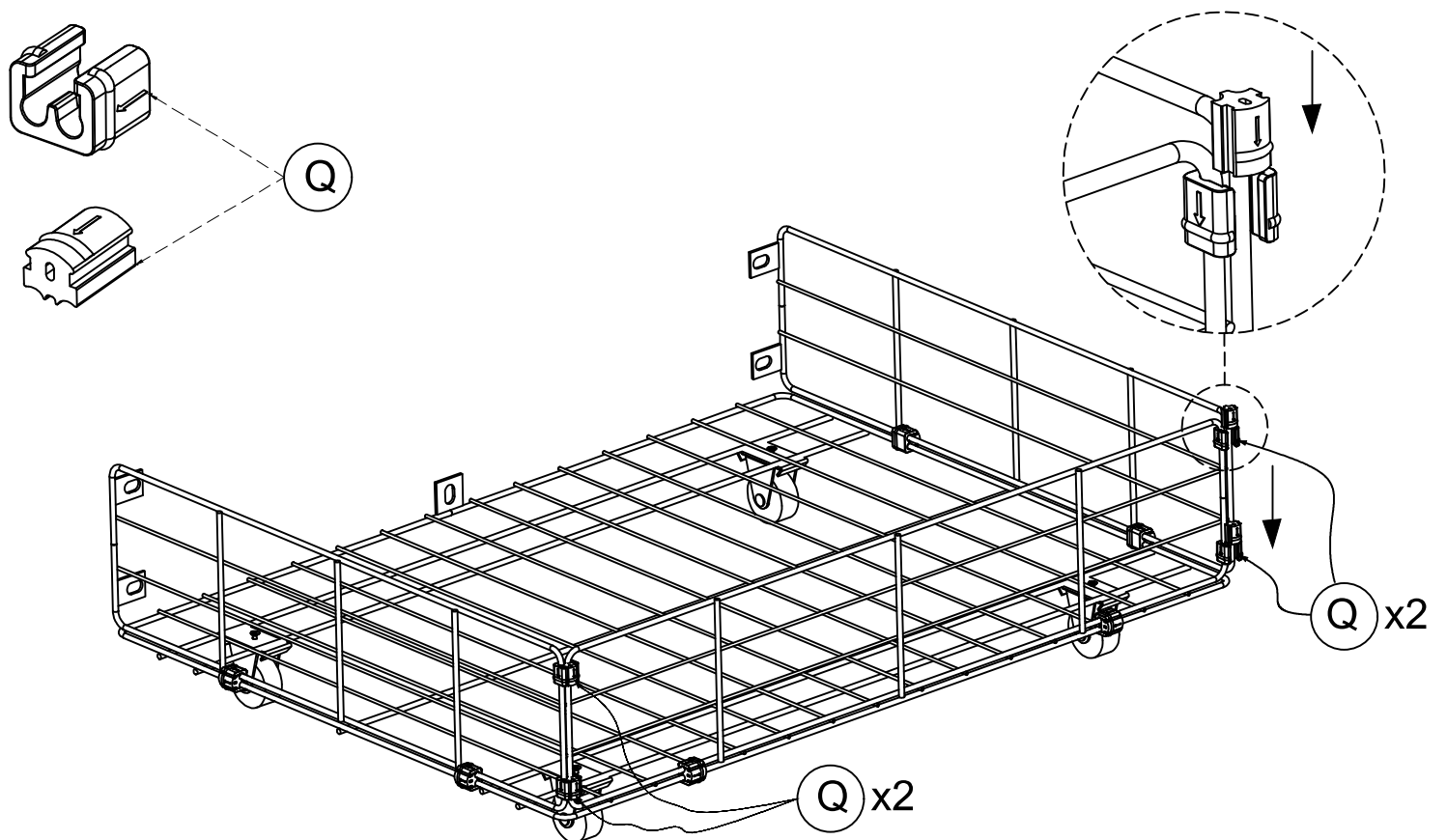
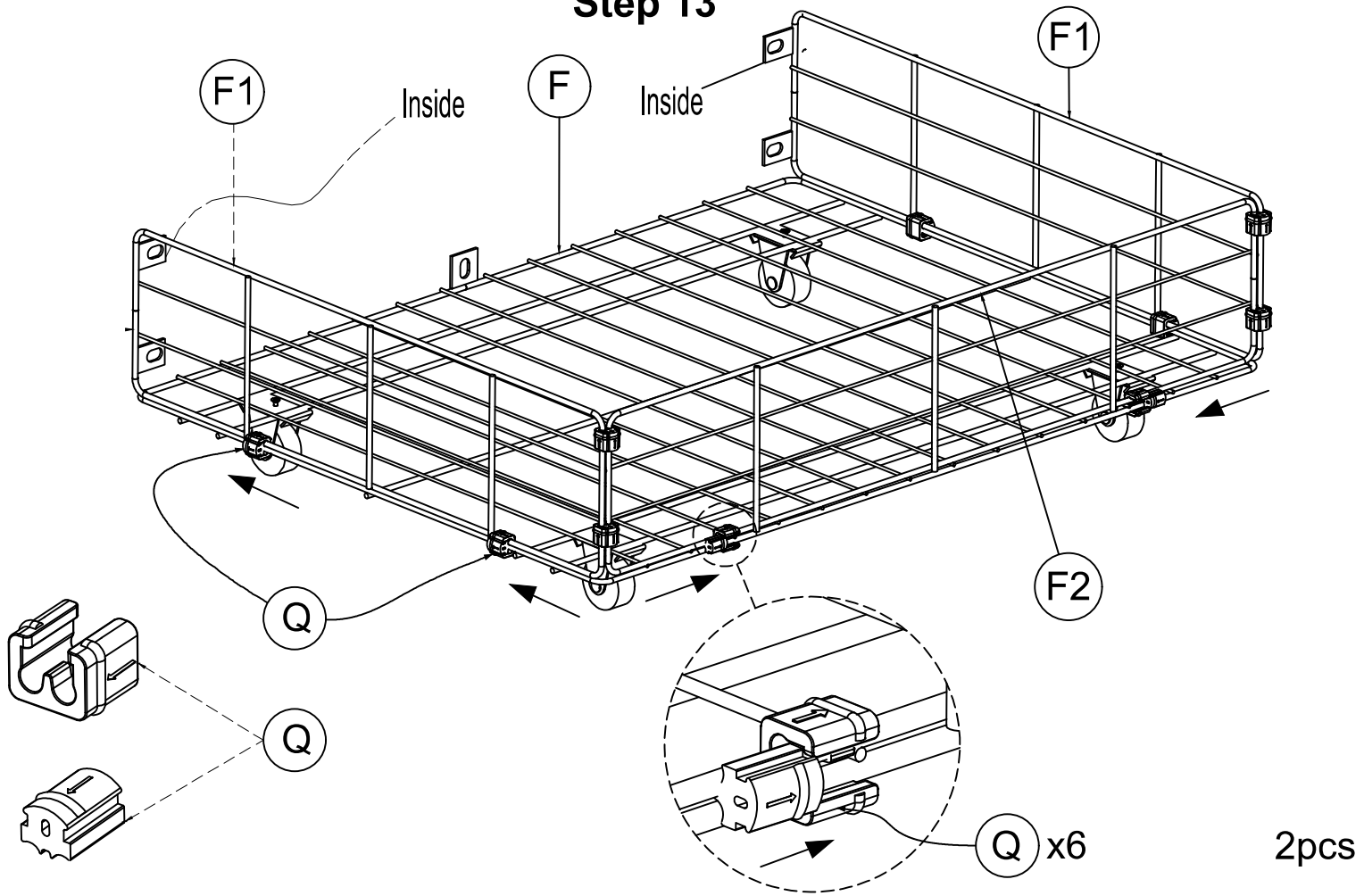
Detailed assembly instructions Q



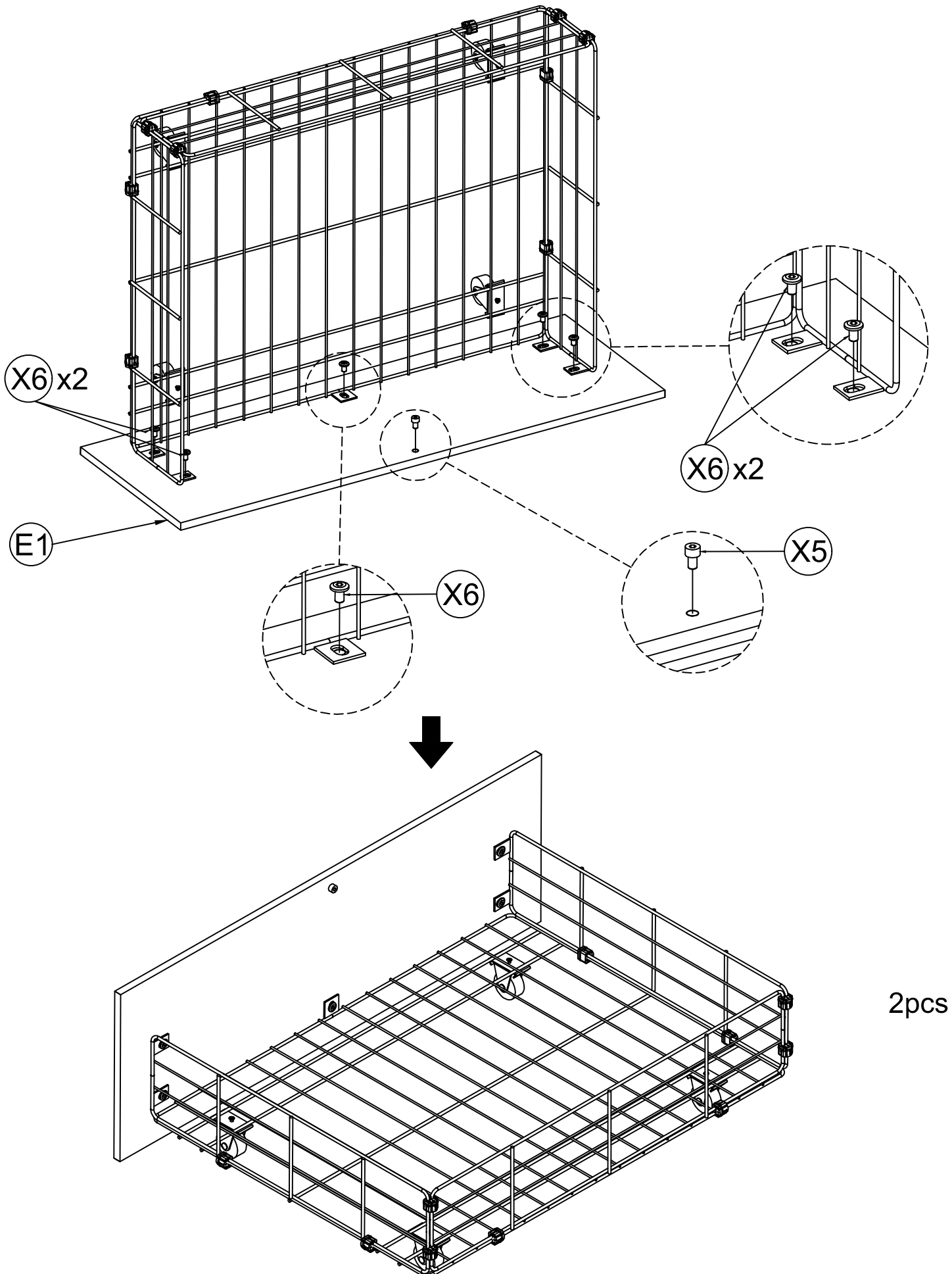
**these two
lines on Q
need to be
matched**



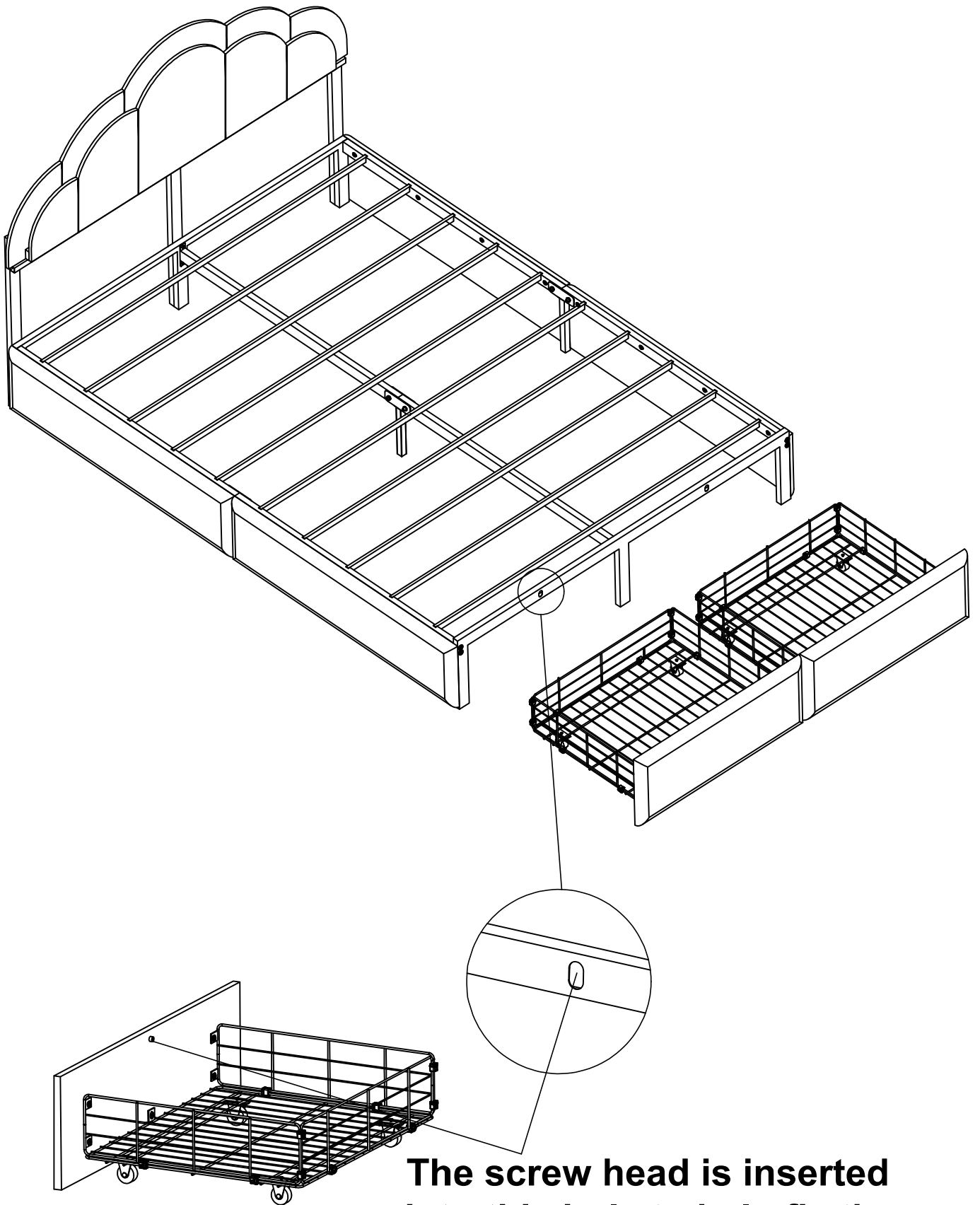
Step 13



Step 14

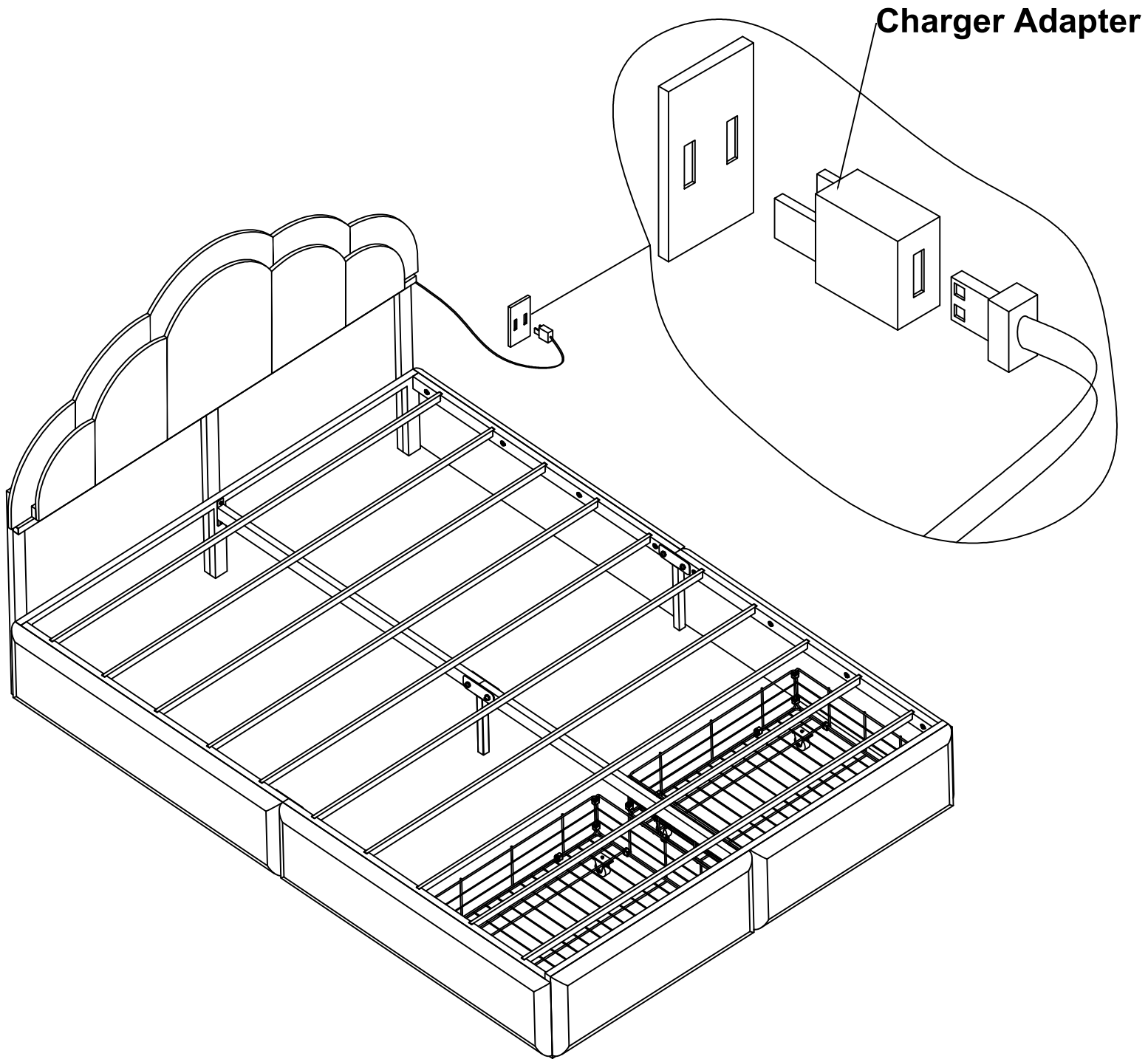


Step 15



The screw head is inserted into this hole to help fix the drawer

Step 16



REMOTE CONTROL

