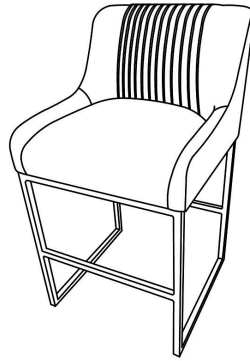
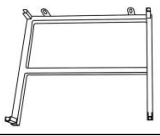


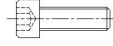

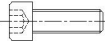

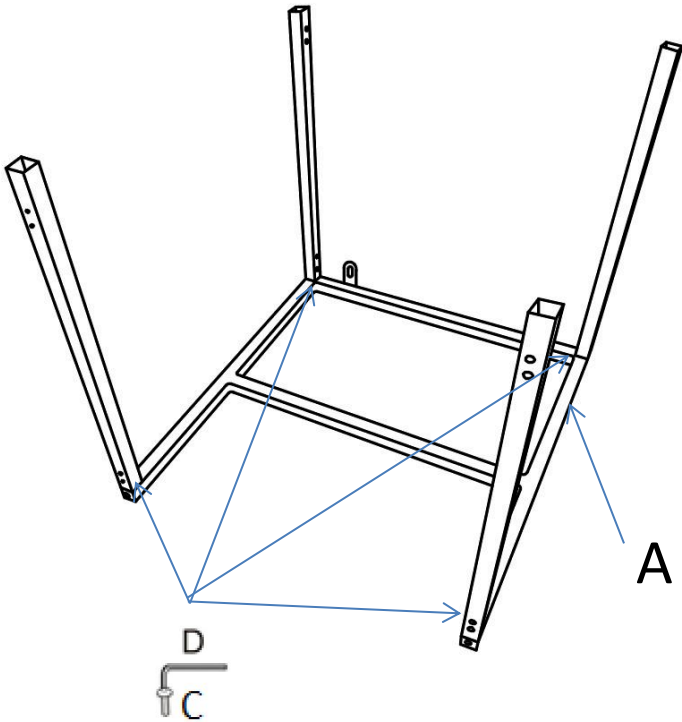


# ACCENT CHAIR

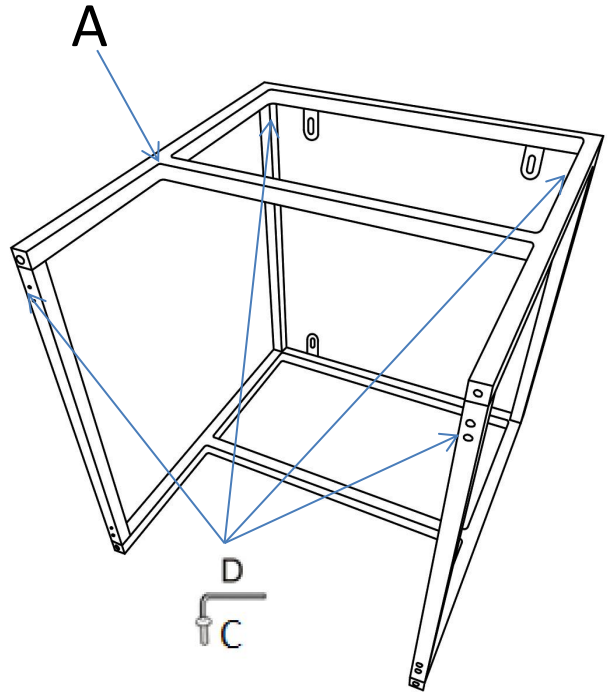


PARTSLIST		
LABEL	PICTURE	QTY
A		2
B		4
B-L		1
HARDWARE		
LABEL	PICTURE	QTY
C		16
D		1
E		4
F		4

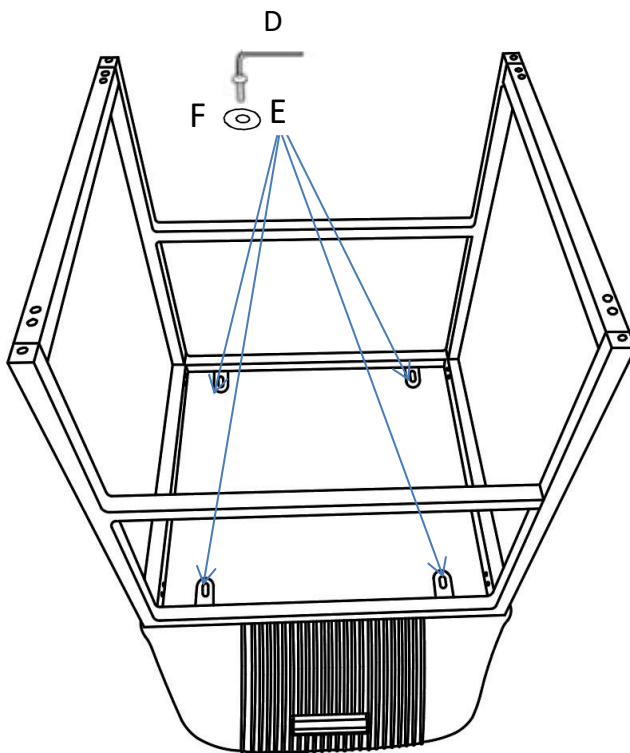
### Step1



### Step2



### Step3



### Step4

