



15 : 00

---

estimated assembly



2 or more

---

people required

Ok, let's  
get started!



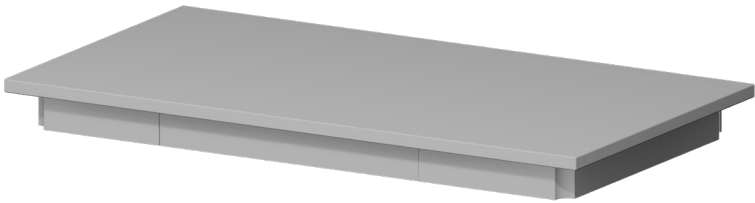
- Put on mood music!
- To prevent damage to product, use the clean side of package carton or rug as working surface.
- In the event of missing or damaged parts, delivery problems etc., please reach out to our team. We will be happy to fix the problem!

# care guide

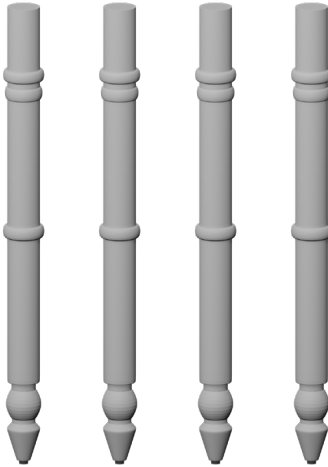
- Clean regularly with a soft and dry cloth.
- To protect finish, avoid use of abrasive cleaners.
- Wipe up spills immediately. Please!



# product parts



(A)  
Table Top  
x1



(B)  
Table legs  
x4

# what's included



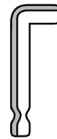
(C)- Bolt  
(8 x 55mm)  
x8



(D)- Plain Washer  
(8 x 20mm)  
x8



(E)- Lock Washer  
(8 x 16mm)  
x8



(F)- Allen Key  
(5mm)  
x1

**YS**

Yellow sticker

**GS**

Green sticker

**OS**

Orange sticker

**WS**

White sticker

## assembly instructions

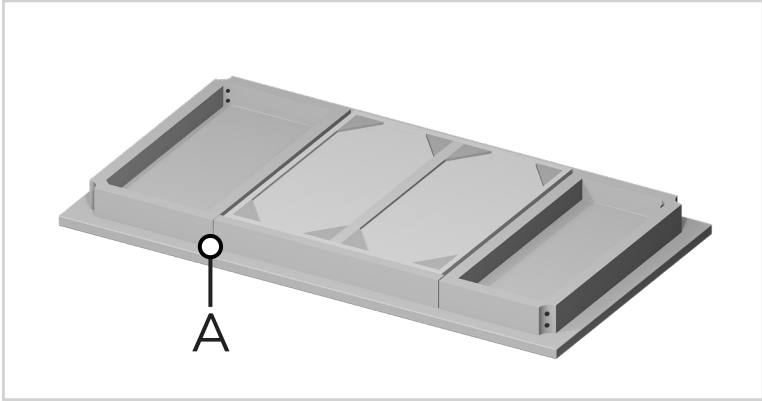
Friendly Tip: Take a deep breath going in. This may be a tricky part, but nothing too overwhelming. Just follow these steps to the T and the outcome will be worth it!



- ⓘ While assembling the product, tighten the bolts up to 50%. Once all parts are in place, only then fully tighten the bolts.

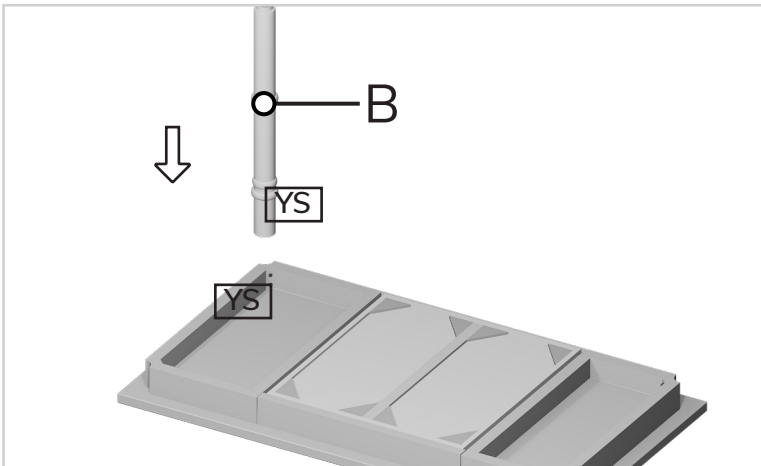
step 1:

Start by placing two books of the same height parallel to each other on a flat surface. Now, turn the tabletop (A) upside down and place over it.



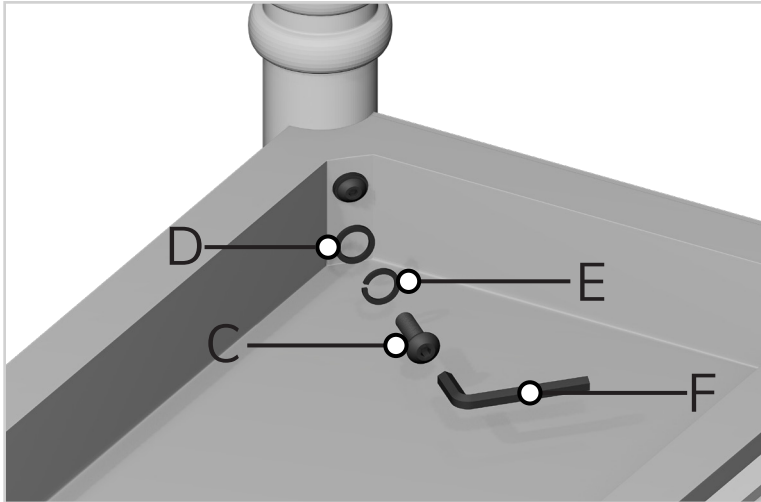
step 2:

Then, using the image below as a reference, align the leg (B) with the slots given on the tabletop. Ensure the stickers on the legs & table top are similar.



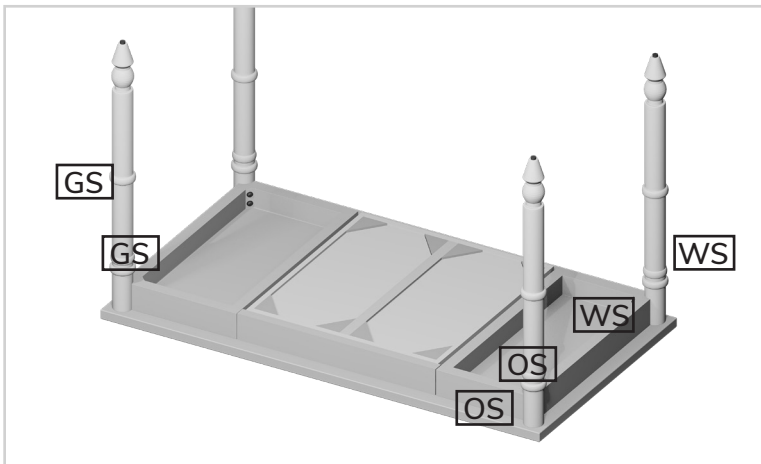
step 3:

Now, fix the leg to the table top by inserting plain washer (D), lock washer (E), and bolts (C) in the given slots. Tighten the bolt using allen key (F).



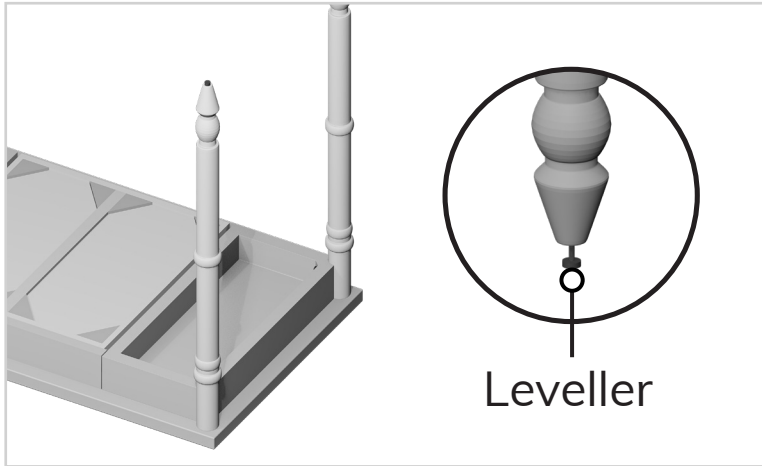
step 4:

Repeat the same process with the remaining legs (B). Make sure that the stickers match with the counterparts.



step 5:

If required, adjust the levellers according to the floor as shown in the image.



---

**Voila! Your desk is now assembled and secure!**