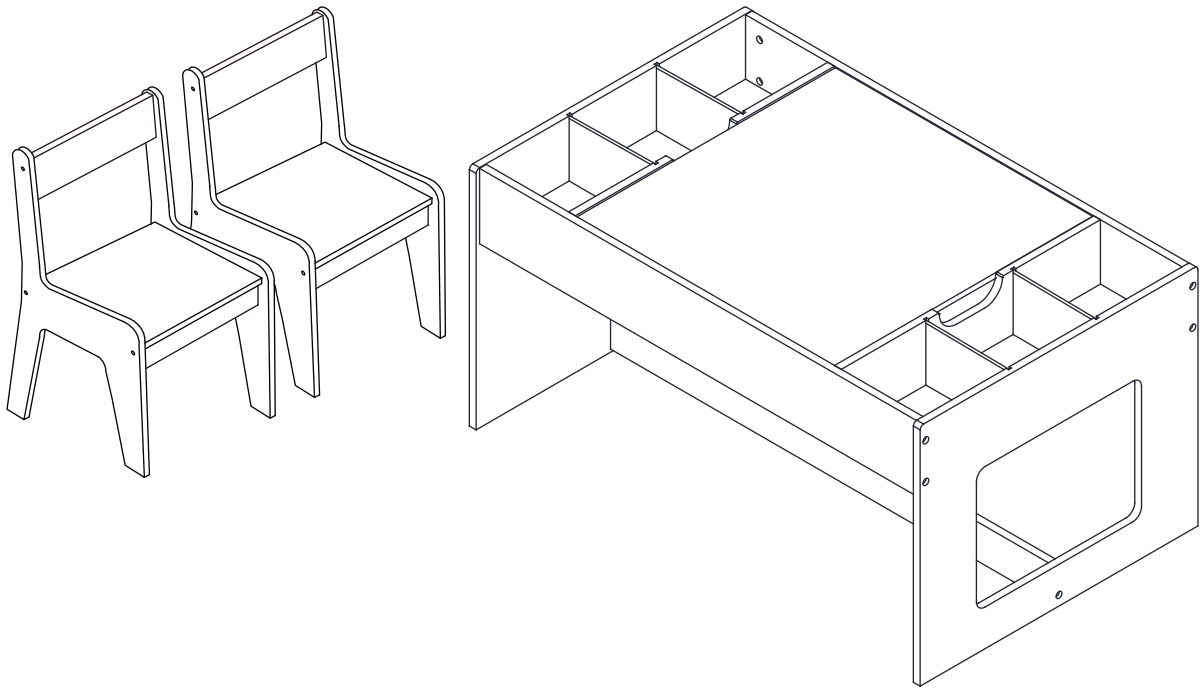


# Children Table and Chairs

SKU WHCF2157



## ASSEMBLY INSTRUCTIONS



**60** min. assembly

**2** person

\*The estimated assembly time may vary depending on the individual.

# Hey, there

Now is assembly time!

Deeeeeeep breathe.... and again....  
Tools ready,  
Easy peasy!

## Estimated



**60** min. assembly  
**2** person

## Tools Required

- Screwdriver (not included)

important: Cautious when you use power tools

## Need Help?

Call us at +1 909 548 6688  
Email [customerservice@luxenhome.com](mailto:customerservice@luxenhome.com)  
Submit a ticket on [www.luxenhome.com/help](http://www.luxenhome.com/help)

Thank you for purchasing this LuxenHome product. This product has been manufactured with the highest standards of safety and quality.

**PLEASE READ ALL INSTRUCTIONS CAREFULLY BEFORE ASSEMBLY.**

Unpack all parts from the packaging inside the carton to ensure there are no missing or damaged parts. Lay out all the parts on a clean, flat, and soft surface to prevent scratches. Refer to the steps provided as assembling guide.

Do not attempt to assemble or use the product if any parts are missing or damaged.

## REMINDERS

### SAFE USAGE IS KEY

Your well-being is our top priority when you use our product. Please prioritize your safety by diligently following the assembly guidelines and inspecting the product carefully both when it arrives and before each use.

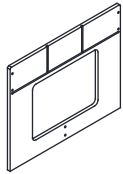
Please be aware that LuxenHome and Winsome House, Inc. cannot be held liable for any injuries or fatalities that occur due to not adhering to the provided instructions or misuse of the product.

### DO NOT MODIFY

Our products undergo rigorous testing to ensure they meet established safety standards before being released for sale. Altering the product in any way can lead to serious safety concerns, for which LuxenHome cannot assume responsibility.

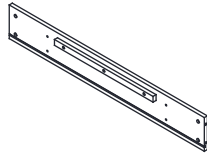
# What's in the box

## Parts



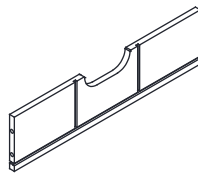
A X2

Table left panel  
Table right panel



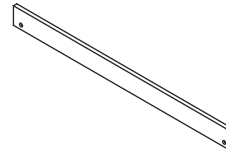
B X2

Table front panel  
Table back panel



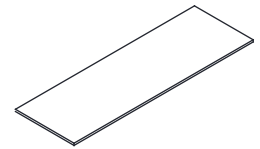
C X2

Table dividers



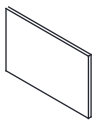
D X1

Table bottom slat



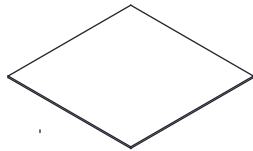
E X2

Table bottom panel



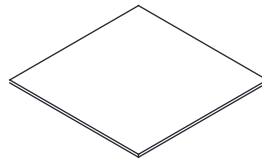
F X4

Table dividers



G X1

Table bottom panel



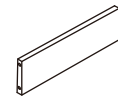
H X1

Table top



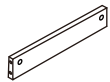
I X2

Chair left panel



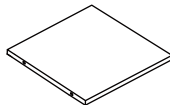
J X2

Chair back



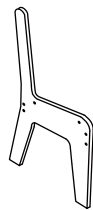
K X4

Seat support slat



L X2

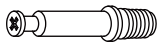
Chair seat



M X2

Chair right panel

# Hardware & Accessory



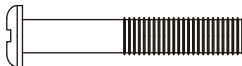
1 X4  
M6×38mm



2 X4  
12\*10mm



3 X26+3  
6×25mm



4 X22+3  
M6×40mm

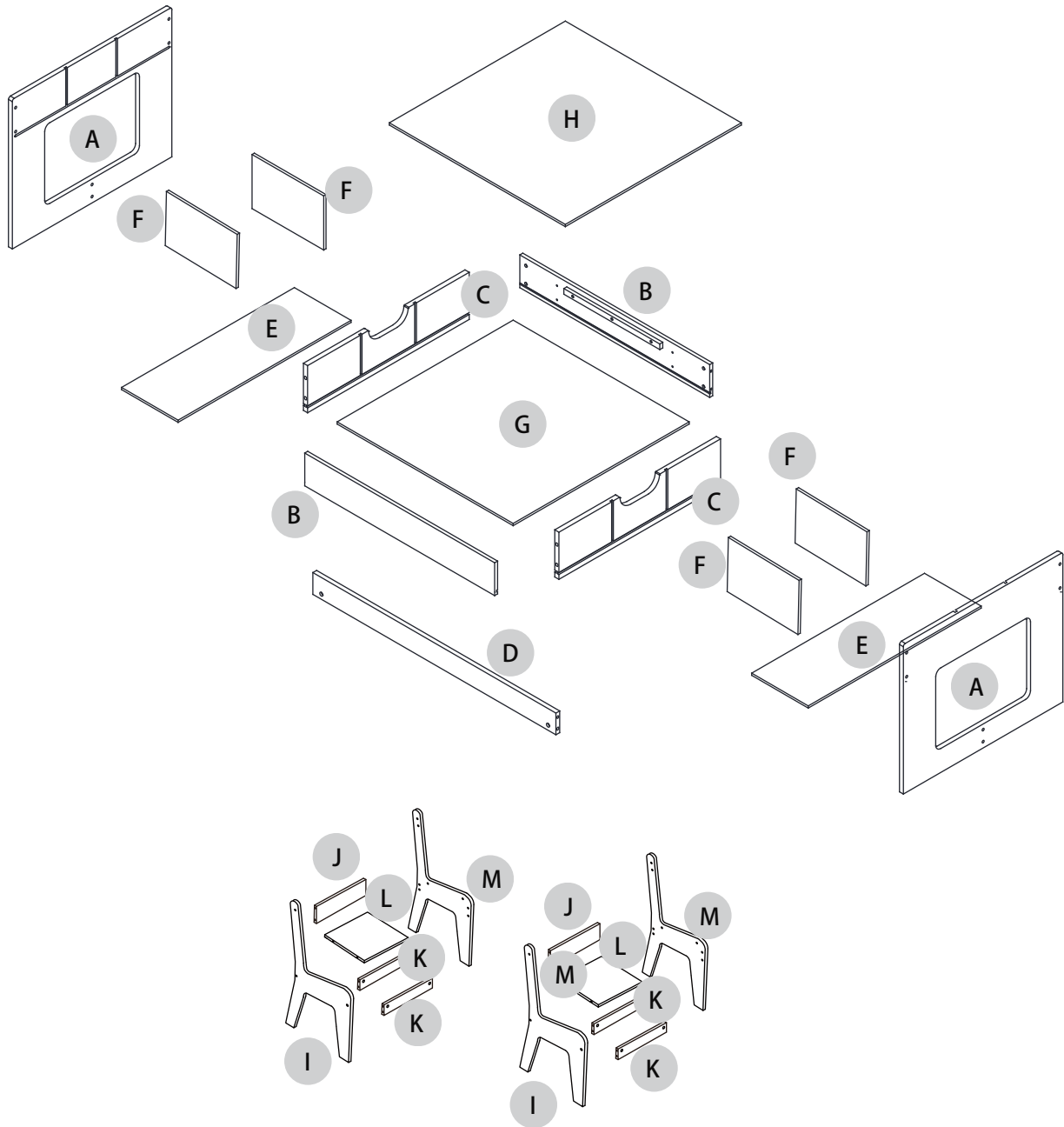


5 X22+3  
10×10mm



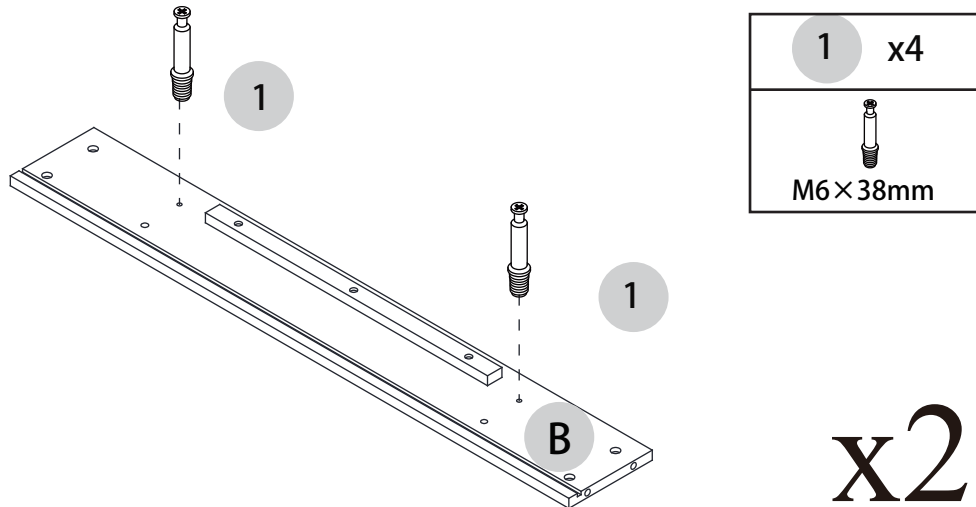
6 X12+2  
10×10mm

# Assembly



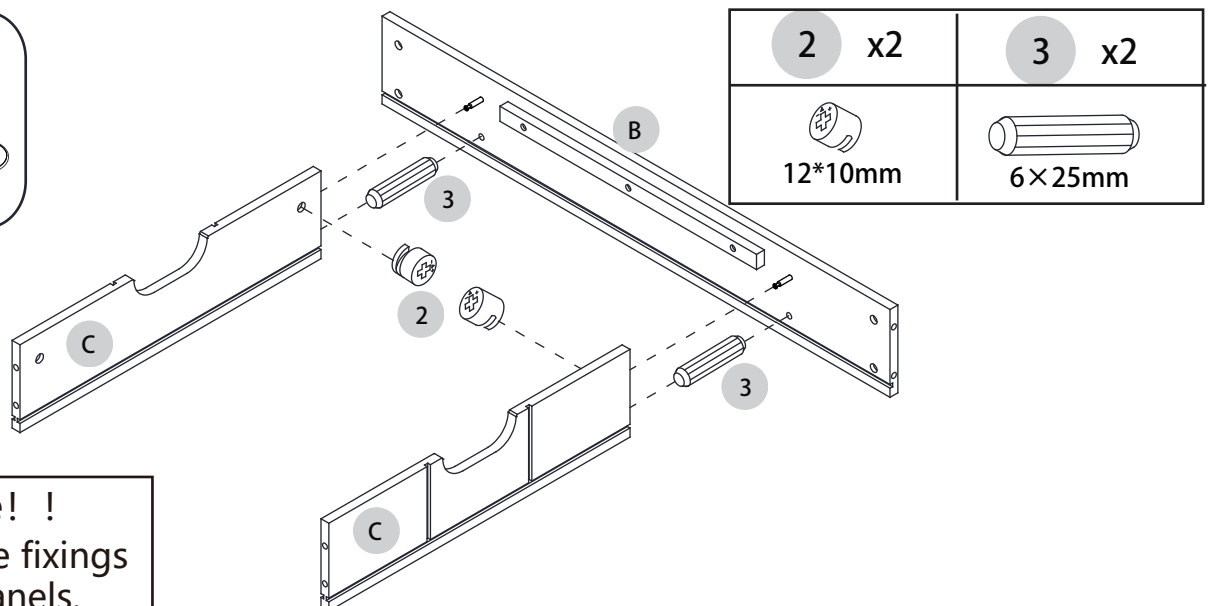
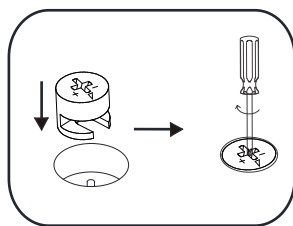
# Step 1

Screw the hardware 1 into the screw holes on the panel B as shown.



# Step 2

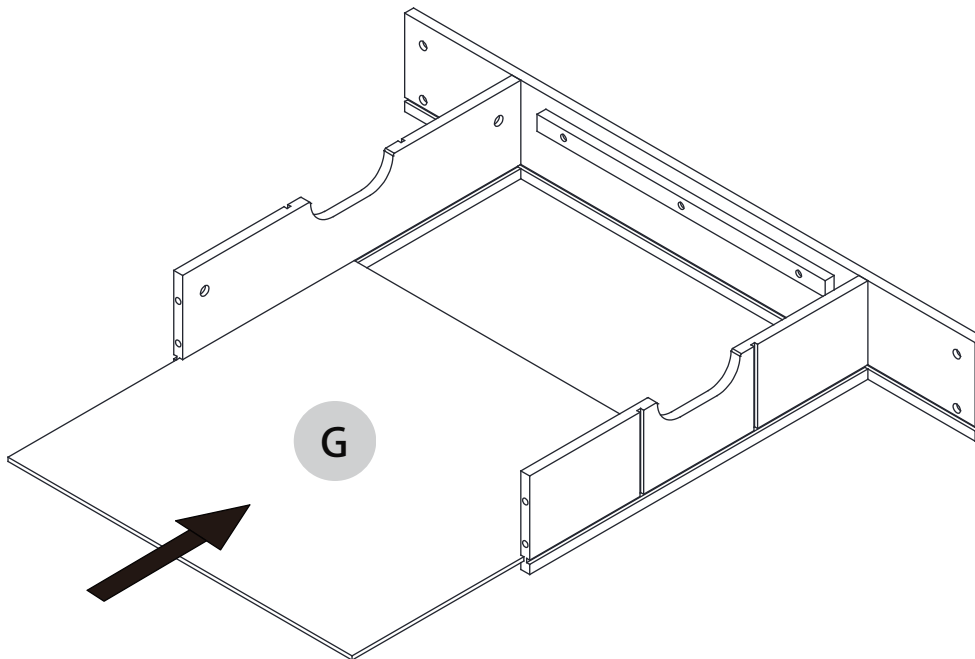
Insert hardware 3 & 2 into holes on panel C as shown.  
Connect panel C with B as shown.



!! Notice!!  
Now tighten the fixings  
to secure the panels.

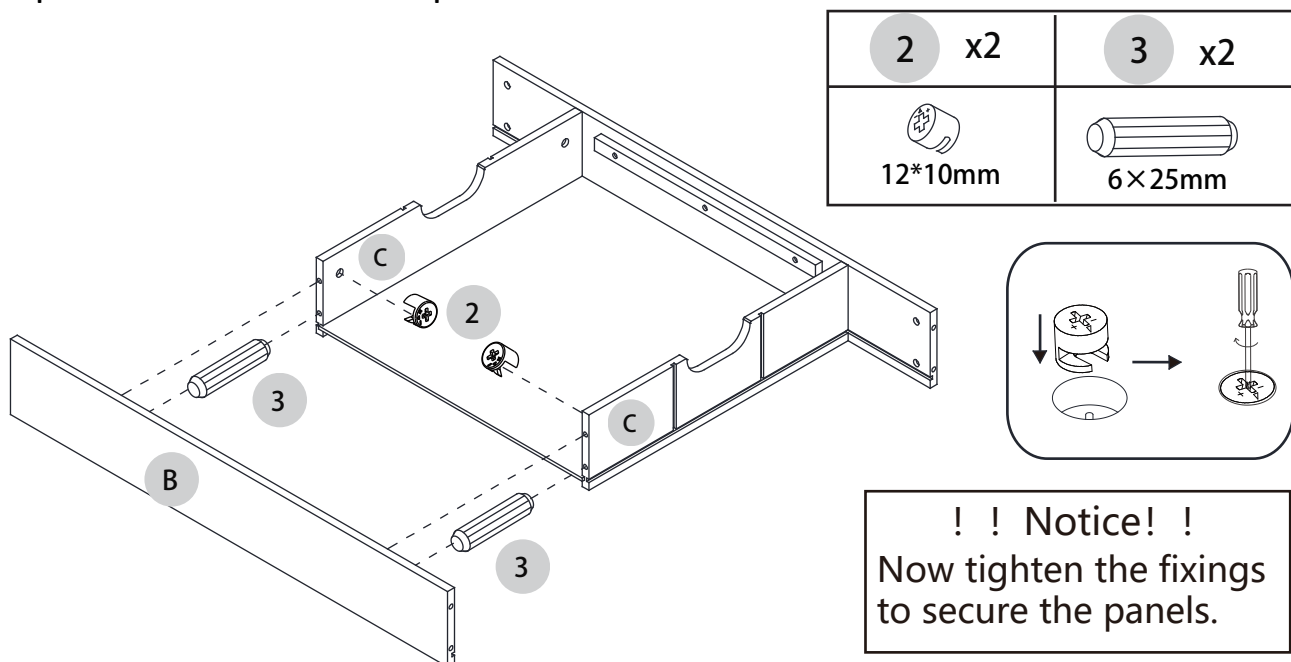
# Step 3

Insert panel G into the drawing slot as shown.



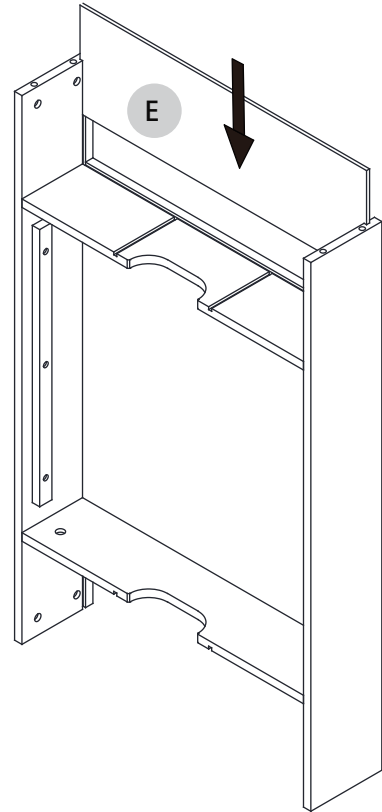
# Step 4

Insert hardware 3 & 2 into holes on panel C as shown.  
Connect panel C with the other panel B as shown.





# Step 5

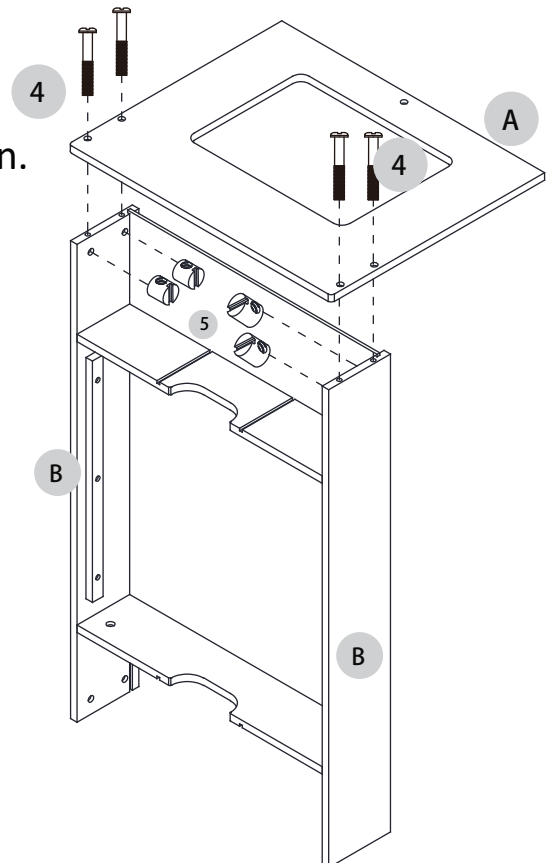
Insert the panel E into the drawing slot as shown.



# Step 6

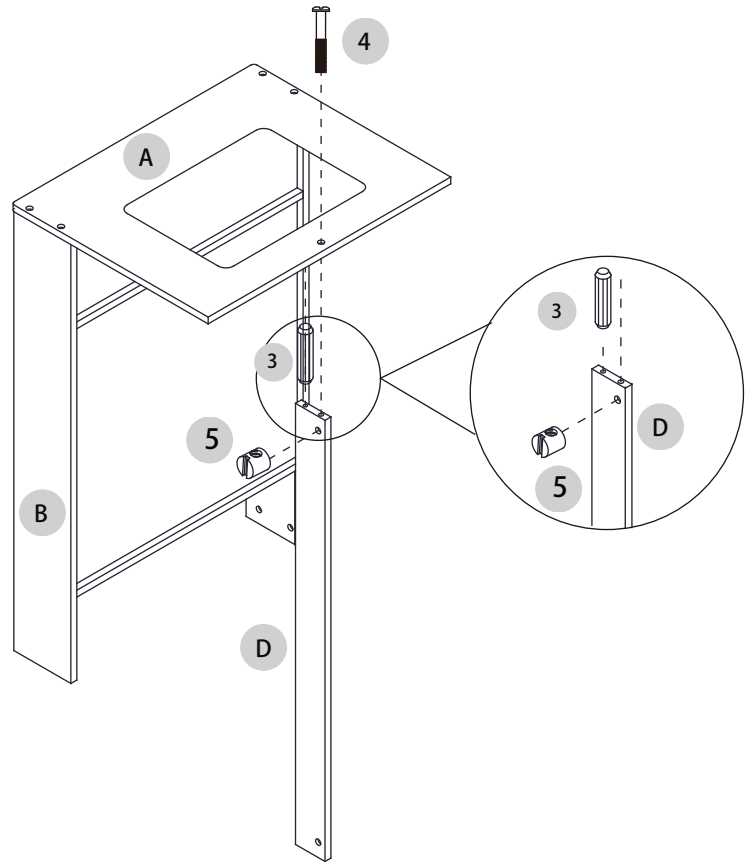
Insert hardware 5 into holes on panel B as shown. Connect panel A to panel B with hardware 4.




<b>4</b> x4	<b>5</b> x4
 M 6×40mm	 10×10mm



# Step 7

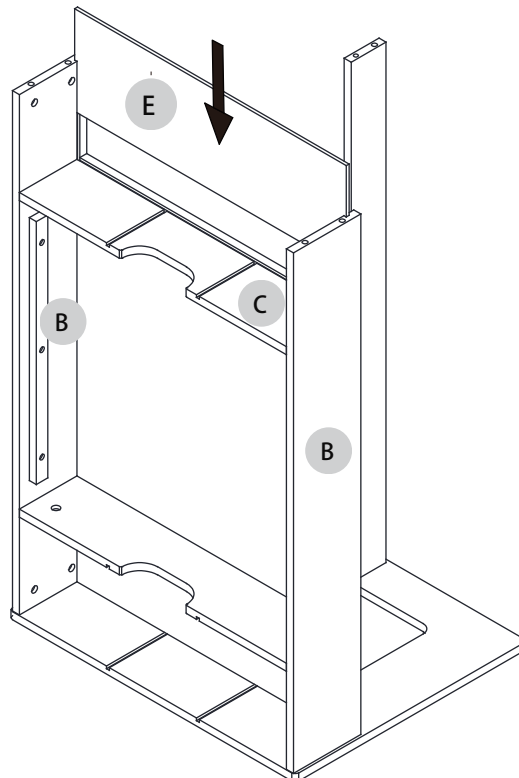
Insert hardware 3&5 on panel D as shown.  
Connect panel D to panel A with hardware 4.



3 x1	4 x1	5 x1
		
6×25mm	M 6×40mm	10×10mm


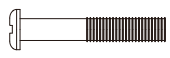

# Step 8

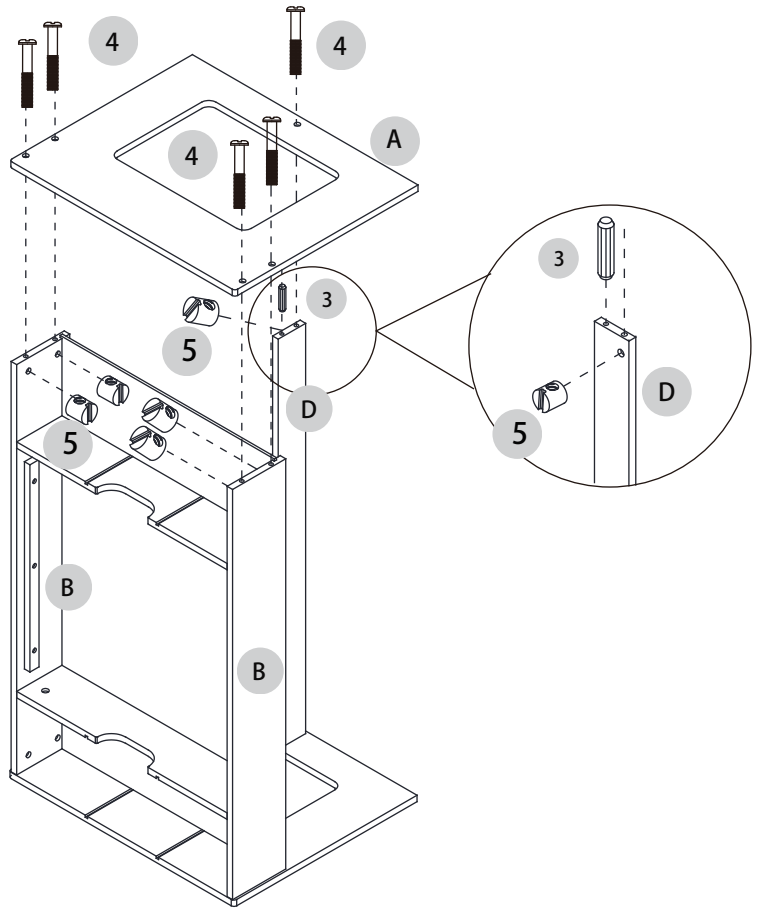
Insert the panel E into the drawing slot as shown.



# Step 9

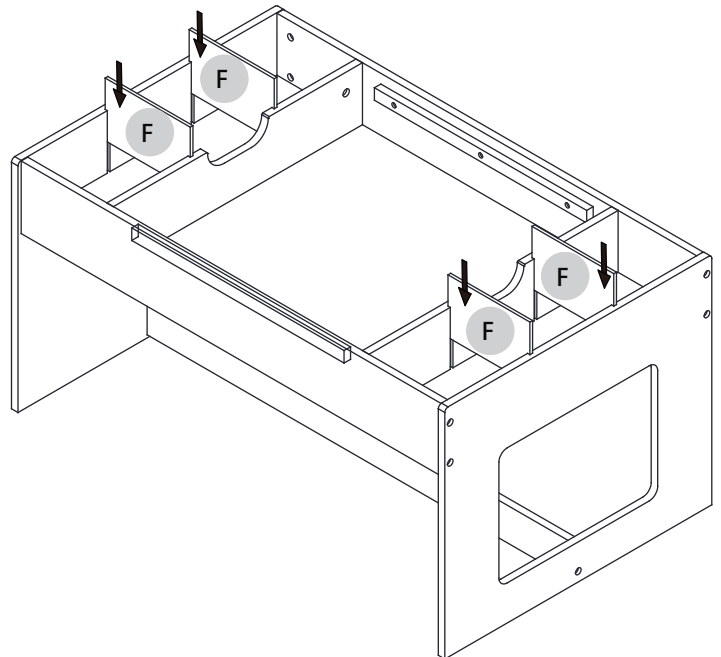
Insert hardware 3&5 into holes on panel B & D as shown.  
Connect panel A to panel B & D with hardware 4 as shown.

3 x1	4 x5	5 x5
		
6×25mm	M6×40mm	10×10mm



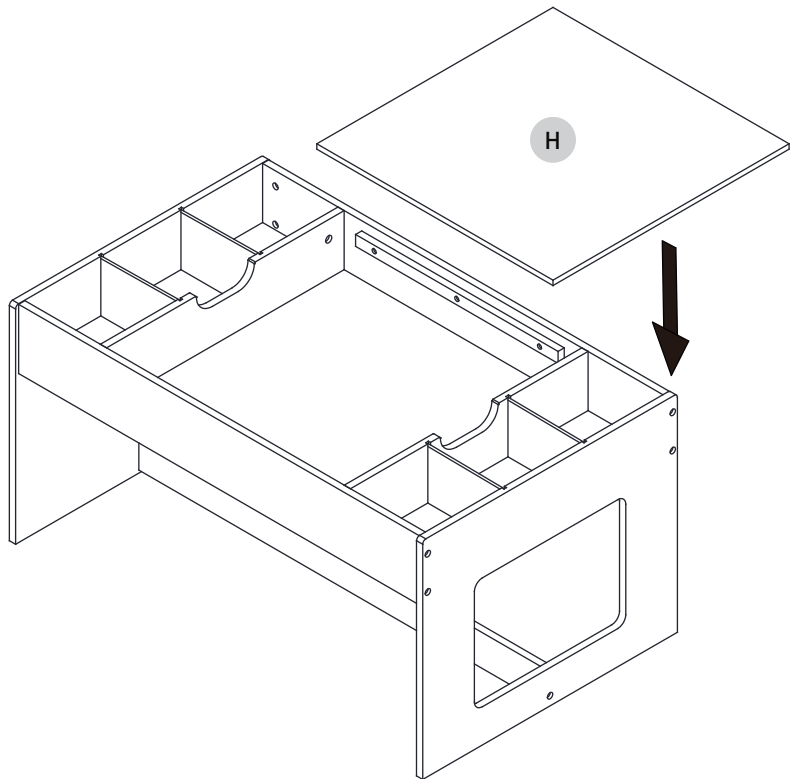
# Step 10

Insert the panel F into the drawing slot as shown.



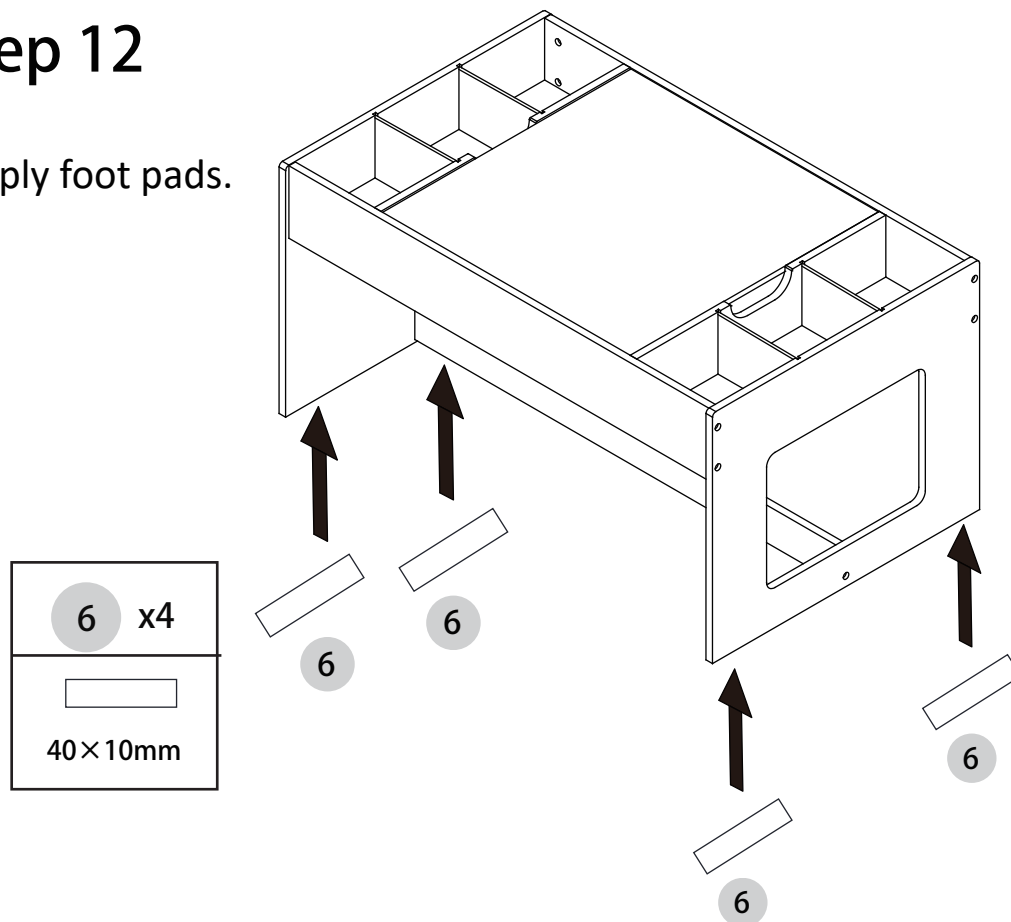
# Step 11

Put panel H on over panel G.






# Step 12

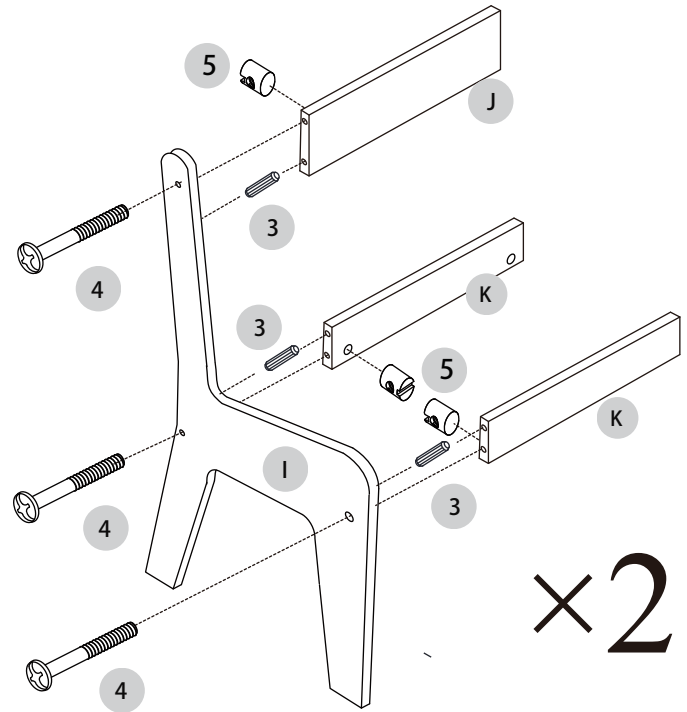
Apply foot pads.



## Step 13


insert hardware 3&5 into the holes on panel K & J as shown.  
Connect panel I to K&J with hardware 4.

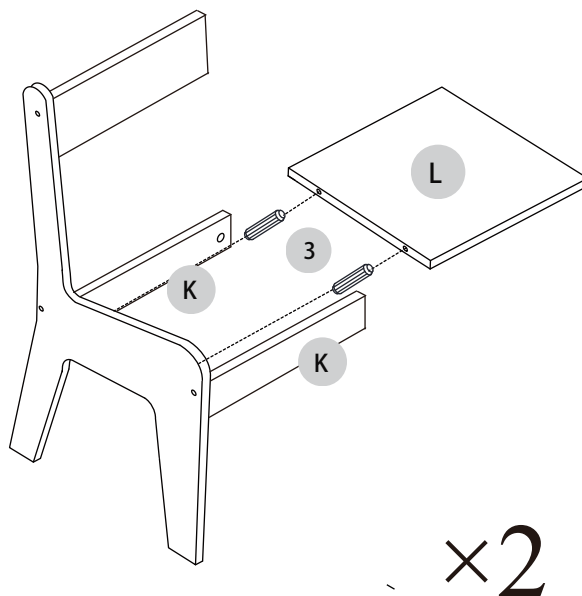
3 x6	4 x6	5 x6
		
6×25mm	M 6×40mm	10×10mm



## Step 14


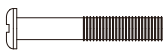

Insert hardware 3 into the holes on panel K as shown.  
Connect panel L and K as shown.

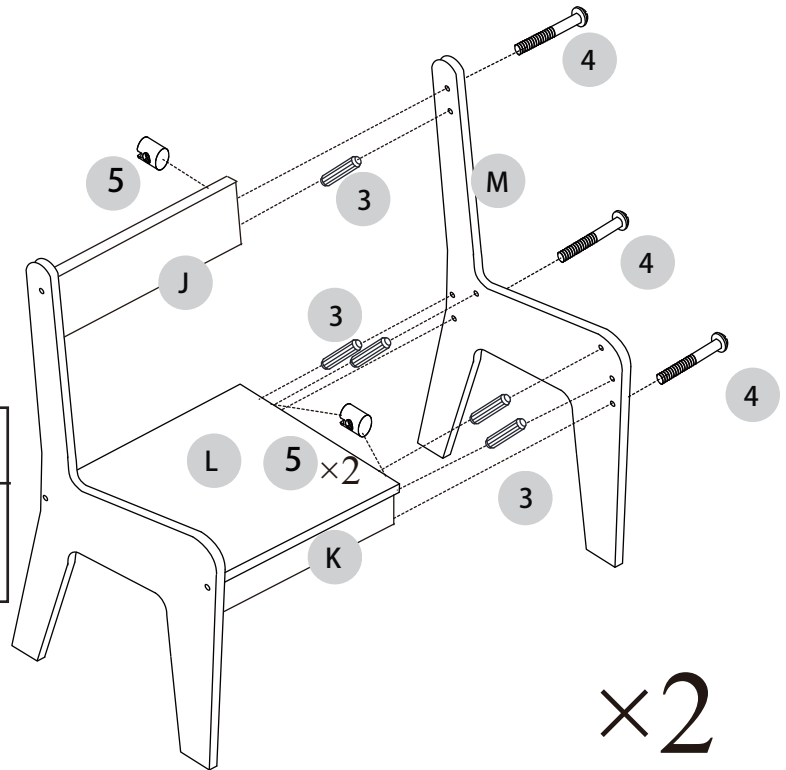
3 x4

6×25mm



# Step 15


Insert hardware 3&5 into the holes on panel J,K&L as shown.  
Connect panel M and K&J with hardware 4.

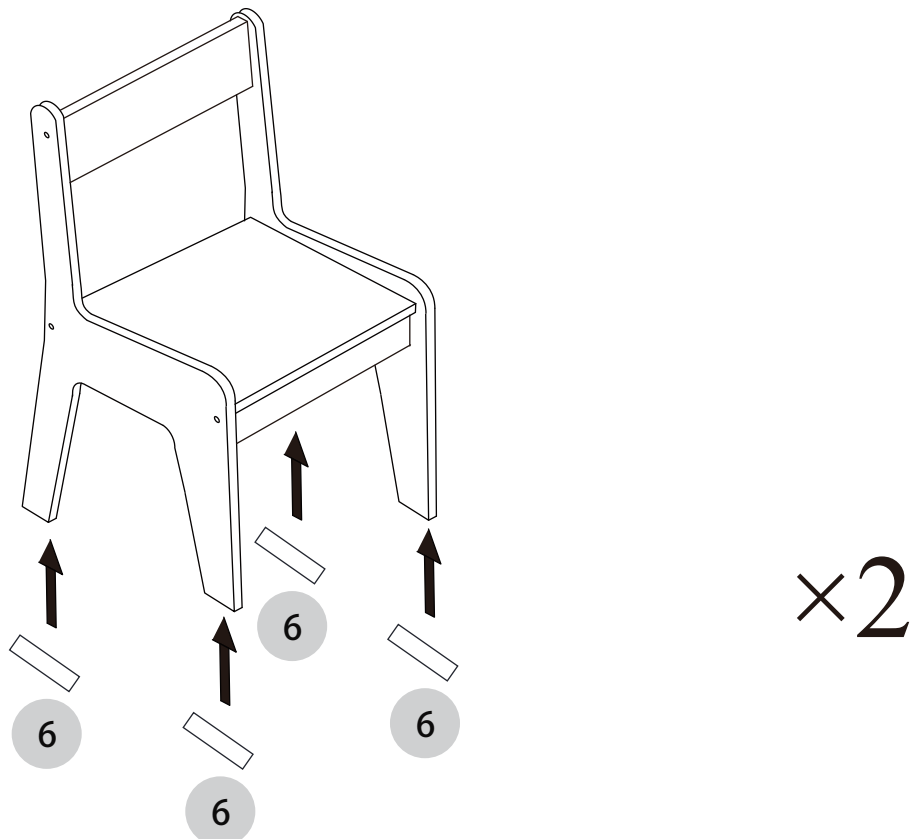
<b>3</b> x10	<b>4</b> x6	<b>5</b> x6
		
6×25mm	M6×40mm	10×10mm



# Step 16

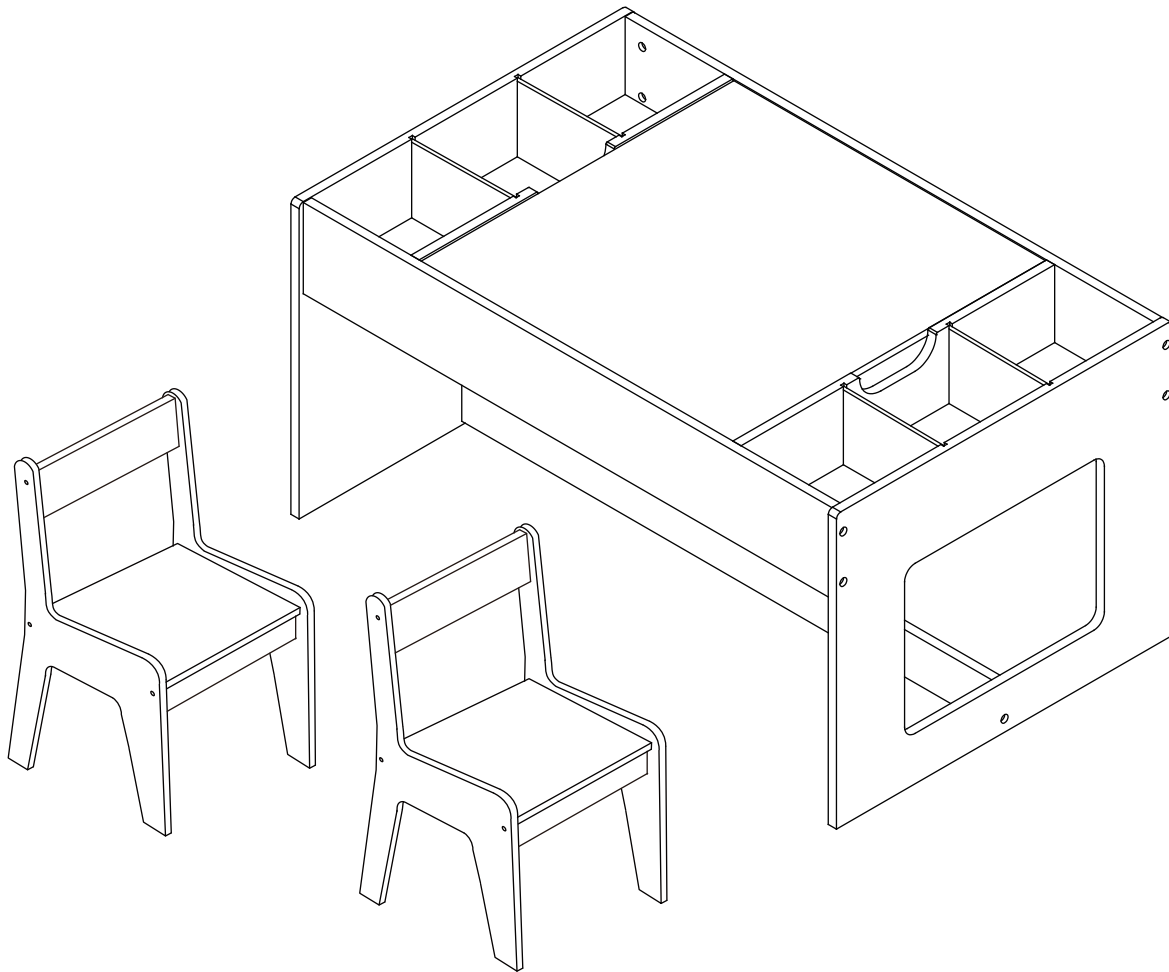
Apply foot pads.

<b>6</b> x8

40×10mm



# VOILA!

Now enjoy.



## Warning

Adults must assemble products before giving them to children. Products containing small parts, sharp edges, and sharp points should be kept away from children during the non-assembly stage. Do not stand on the furniture, as this may damage the product and cause serious bodily harm. It is recommended that the adult check the product periodically to ensure all parts are tight and secure.

# Something not right?

We are always here to help.

**We make mistakes like every human does.**

Though we always strive to provide the best possible products at competitive prices and the best service in the industry, it's not possible to completely eliminate mistakes. If you experience any dissatisfaction, feel free to contact us immediately. Our in-house customer care team will respond ASAP.



[customerservice@luxenhome.com](mailto:customerservice@luxenhome.com)  
Get response within 24 hrs



**909.548.6688**  
Mon-Fri 9am-5pm PST/PDT



[www.luxenhome.com/help](http://www.luxenhome.com/help)  
Submit a ticket on our website

## Things to do to expedite the process

- Have your order# ready
- Take photos/videos to help us better identify the issues
- DO NOT throw away the packaging

# Happy with our product?

## Leave us a review

It really help us as a small business

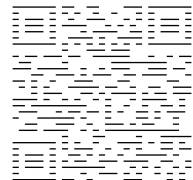
- Find the product you purchased on our website (tip: search by SKU) and leave us a review.
- Alternatively, you can always return to the marketplace where you purchased it and leave a review there.

## Share with others

Our customers look for REAL stuff



- Follow us on IG @ luxen.home
- Share your #liveluxen moments



Please save this manual  
for future reference.