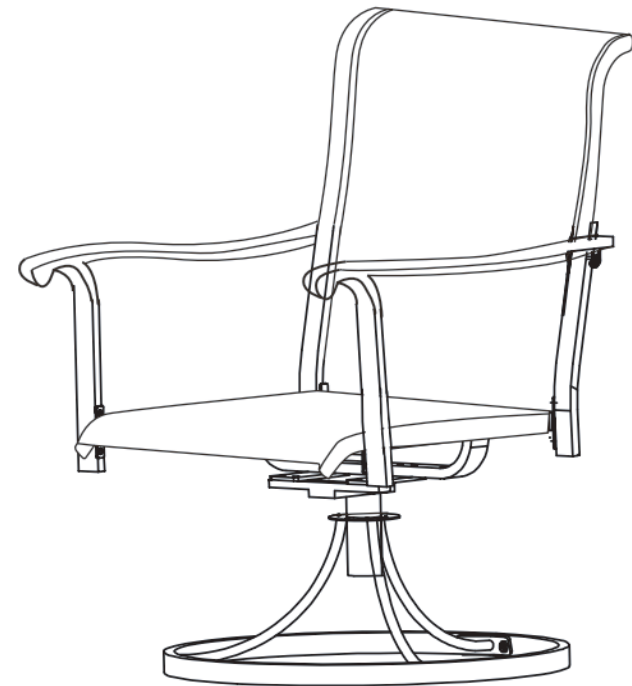




INSTRUCTION MANUAL



2PCS Textilene Swivel Dining Chairs

Model: DS01

OUTERPRO CORP.

201 E Center st ste 112 #3500,
Anaheim CA 92805

If you have any questions, please contact us:

 Service@outerprocorp.com

THANK YOU for your trust

Dear Customer,

Thank you for choosing Sour Citrus to enhance your home and outdoor spaces. This product is thoughtfully designed to bring comfort and style to your space. Sour Citrus devotes to delivering exceptional quality and innovative outdoor furniture.

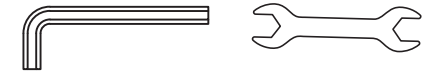
Before assembling or using this product, please inspect it for any damages and ensure that all parts and hardware are included. If you notice any issues, please refrain from using the item and contact our customer service at service@outerprocorp.com.

Should any parts be missing, kindly reach out to us, and we will promptly provide the necessary items.

This furniture is suitable for both indoor and outdoor settings. Please read and follow the assembly instructions carefully, and use the product as intended in this manual. Sour Citrus is not responsible for any damage resulting from improper use.

INSTALLATION STEPS

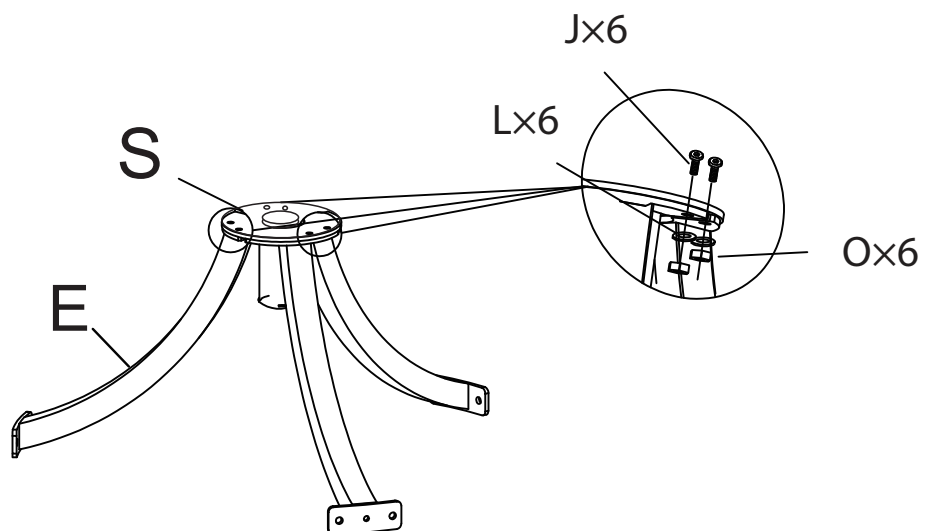
Tools used:



Part Number	Images and Sizes	Part Name	Qty.	Part Number	Images and Sizes	Qty.
A		left armrest	2	I	M6X30	16
B		right armrest	2	J	M6X15	24
C		chair back	2	K	M8X35	8
D		chair seat	2	L	M6	40
E		supporting leg	6	M	M8	16
F		leg connecting ring	2	N	8	8
G		swivel assembly	2	O	M6	12
H		retainer plate	4	P	M8	8
R		crossbar seat	2	Q	M8X15	8
S		rotating fixed dic	2			

ASSEMBLY INSTRUCTIONS

We need: 6 M6*15 bolts (J)
6 M6 washers (L)
6 M6 nuts (O)



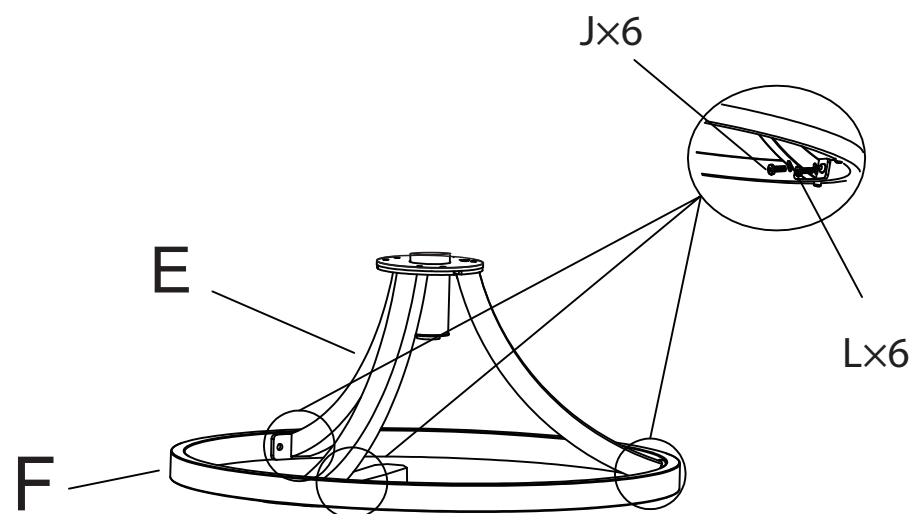
STEP 1

Connect 3 supporting legs (E) to the rotating fixed disc (S) using 6 M6*15 bolts (J), 6 M6 washers (L) and 6 M6 nuts (O) in the order shown.

Conecte 3 patas de soporte (E) al disco fijo rotante (S) utilizando 6 pernos M6*30 (J), 6 arandelas M6 (L) y 6 tuercas M6 (O) en el orden indicado.

ASSEMBLY INSTRUCTIONS

We need: 6 M6*15 bolts (J)
6 M6 washers (L)

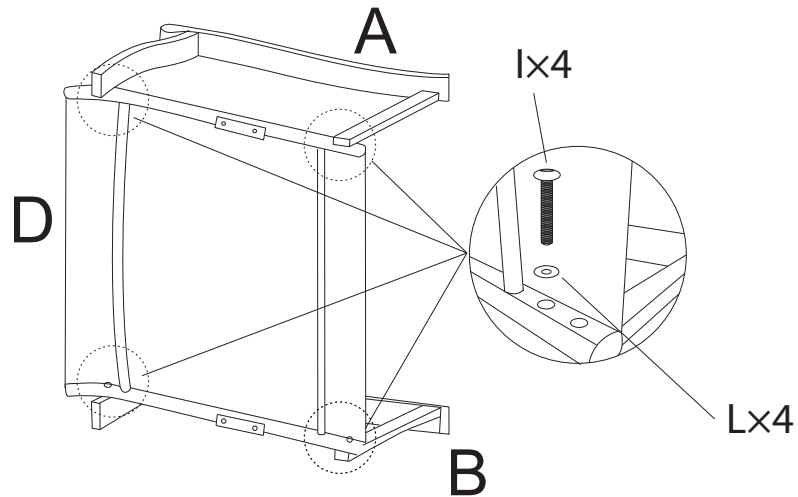


STEP 2

Attach leg assembly to the leg connecting ring (F) using 6 M6*15 bolts (J) and 6 M6 washers (L).
Ajuste el conjunto de la pata al anillo de conexión de la pata (F) utilizando 6 pernos M6*15 (J) y 6 arandelas M6 (L).

ASSEMBLY INSTRUCTIONS

We need: 4 M6*30 bolts (I)
4 M6 washers (L)



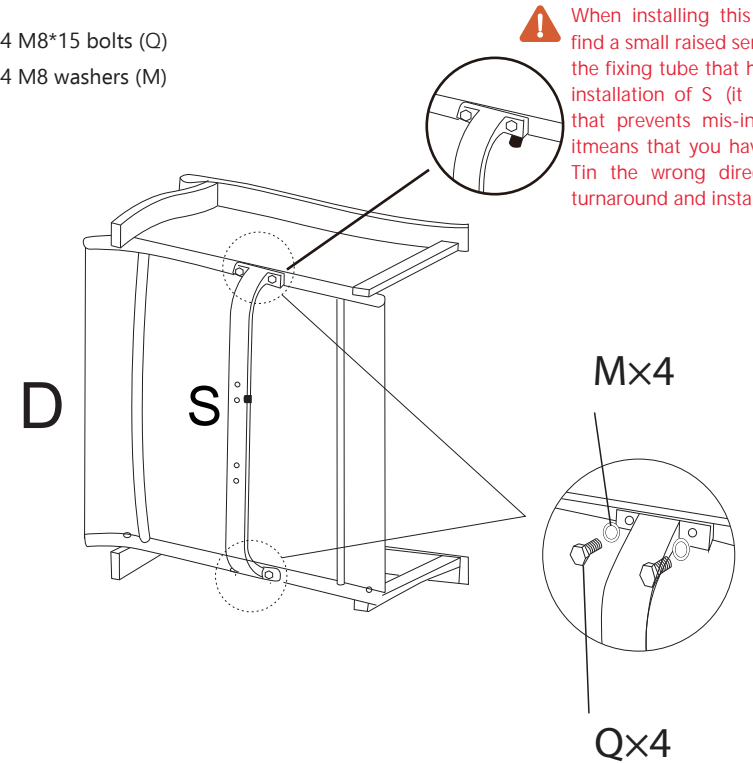
STEP 3

Attach left armrest (A) and right armrest (B) to the chair seat (D) using 4 M6*30 bolts (I) and 4 M6 washers (L).

Fije el reposabrazos izquierdo (A) y el reposabrazos derecho (B) al asiento de la silla (D) utilizando 4 tornillos M6*30 (I) y 4 arandelas M6 (L).

ASSEMBLY INSTRUCTIONS

We need: 4 M8*15 bolts (Q)
4 M8 washers (M)



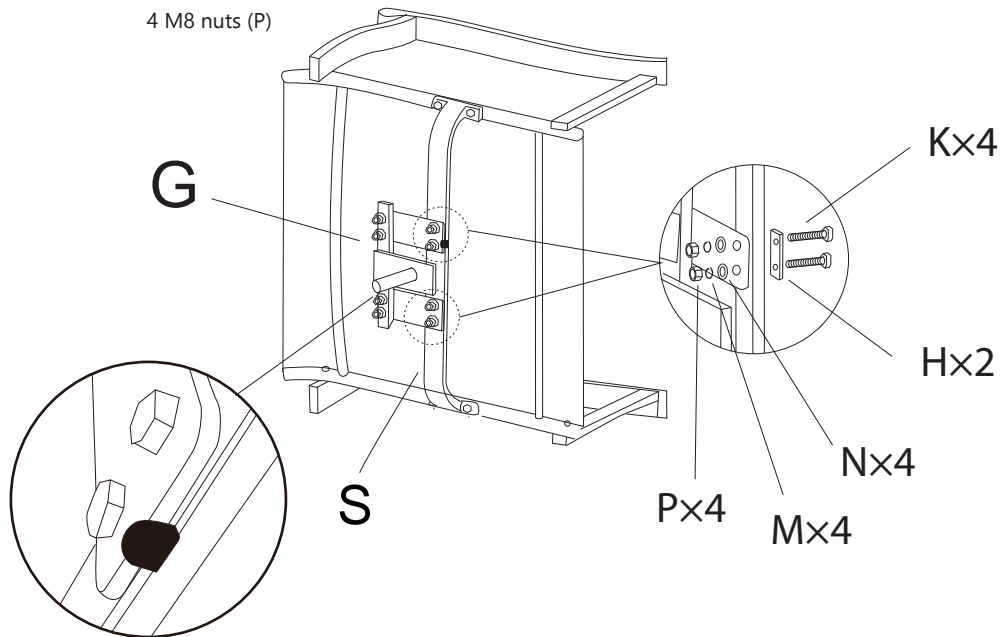
! When installing this step, you find a small raised semicircle on the fixing tube that hinders the installation of S (it is a device that prevents mis-installation), it means that you have installed Tin the wrong direction, just turnaround and install it.

STEP 4

Attach seat crossbar (S) to the seat assembly using 4 M8*15 bolts (Q) and 4 M8 washers (M).
Fije el travesaño del asiento (S) al conjunto del asiento con 4 tornillos M8*15 (Q) y 4 arandelas M8 (M).

ASSEMBLY INSTRUCTIONS

We need: 4 M8*35 bolts (K)
2 retainer plates (H)
4 M8 washers (M)
4 spring washers (N)
4 M8 nuts (P)



! When installing this step, when you find a small raised semicircle on the U-type fixing tube that hinders the installation of G (it is a device that prevents mis-installation), it means that you have installed G upside down, just turn around and install it.
Cuando instale este paso, si encuentra un pequeño semicírculo elevado en el tubo de fijación tipo U que obstaculiza la instalación de G (es un dispositivo que evita la instalación incorrecta), significa que ha instalado G al revés, sólo tiene que darle la vuelta e instalarlo.

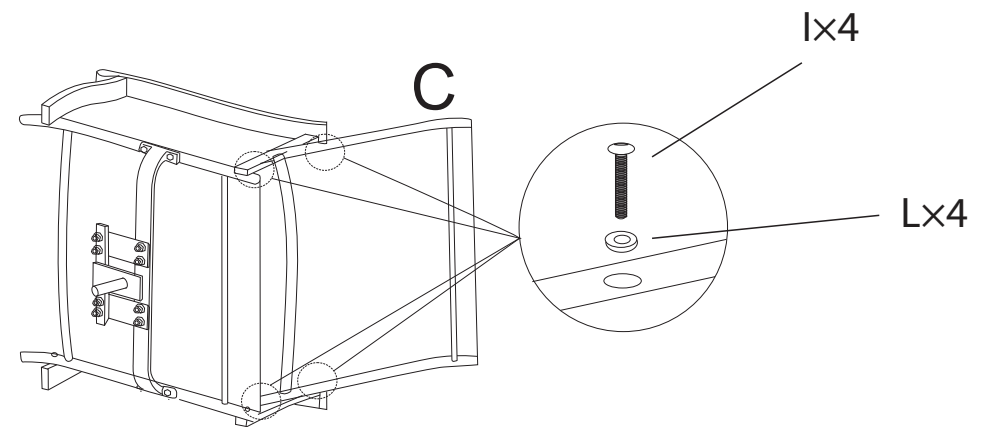
STEP 5

Attach the seat assembly to swivel assembly (G) using 4 M8*35 bolts (K), 2 retainer plate (H), 4 M8 washers (M), 4 spring washers (N) and 4 M8 nuts (P).

Fije el conjunto del asiento al conjunto giratorio (G) utilizando 4 pernos M8*35 (K), 2 placas de retención (H), 4 arandelas M8 (M), 4 arandelas elásticas (N) y 4 tuercas M8 (P).

ASSEMBLY INSTRUCTIONS

We need: 4 M6*30 bolts (I)
4 M6 washers (L)

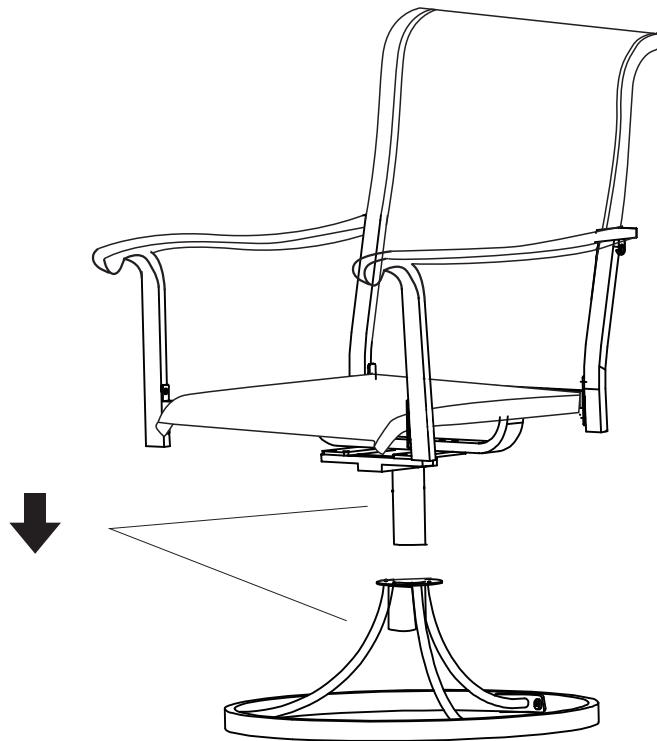


STEP 6

Attach chair back (C) to the seat assembly using 4 M6*30 bolts (I) and 4 M6 washers (L).

Fije el respaldo de la silla (C) al conjunto del asiento utilizando 4 pernos M6*30 (I) y 4 arandelas M6 (L).

ASSEMBLY INSTRUCTIONS



STEP 7

Align the mounted seat with the rotating disc and press down, the installation is complete.
Alinee el asiento montado con el disco giratorio y presione hacia abajo, la instalación está completa.

CARE AND MAINTENANCE

Follow the instructions for the product's material to ensure it stays in the best shape as long as possible. The information below is a general guideline. Don't hesitate to get in touch with us to learn more.

- Only rinse it thoroughly with clean water to wash away dirt and grime. Never use abrasive cleansers on the furniture since they can attack the surface and leave behind scratch marks.
- For stubborn grime and stains, use a soft sponge and mild soapy water. Then dry it with a cloth or paper towel.
- Check the stability of the screws, nuts, and nut caps before each use. Then, tighten them up after one to two months' use whenever required.
- Avoid improper use, and be careful not to scratch or damage the surface with sharp objects.
- When you move your furniture, lift it rather than pulling or pushing it to avoid damaging the floor, legs, and mounting

CUSTOMER SERVICE

Thanks for purchasing Sour Citrus furniture. We are here to help you maximize your enjoyment and appreciation of it.

Please do not hesitate to contact our customer service if you have any questions regarding assembly or accessories.

Address: 201 E CENTER ST STE 112 #3500, ANAHEIM CA 92805.

E-mail: service@outerprocorp.com

