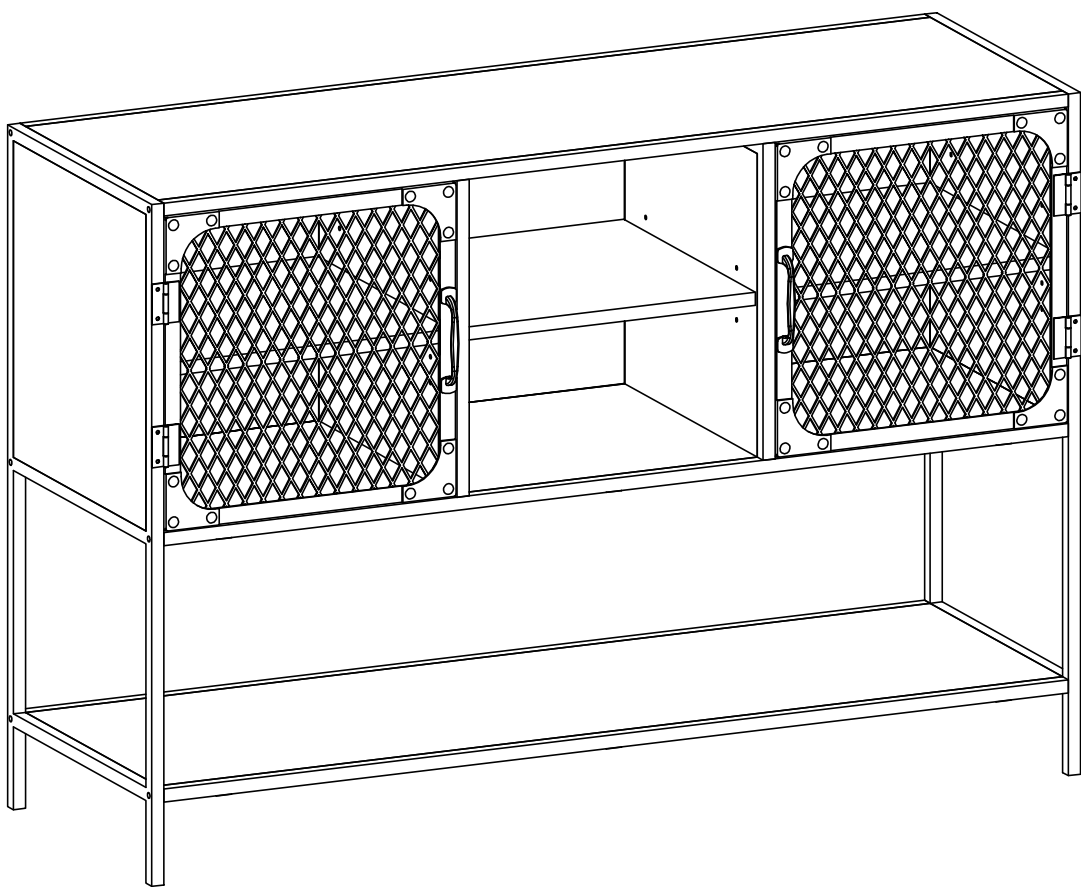
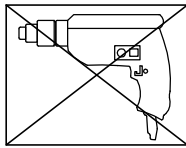


Assembly Instructions

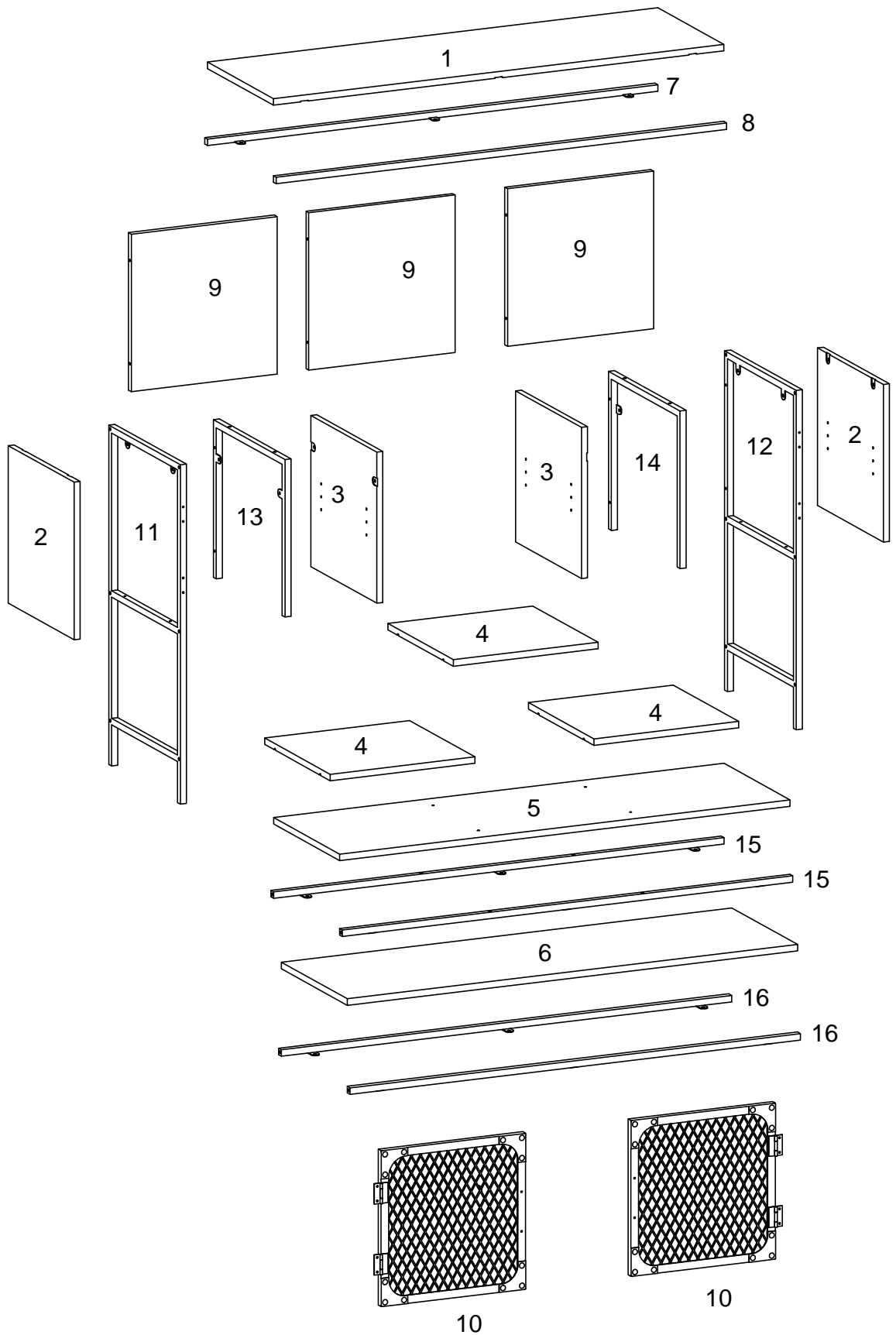


General Assembly Guidelines

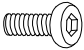
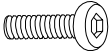
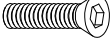
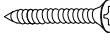
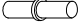
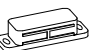



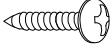
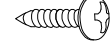

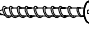
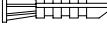

- I. Ensure that all parts and hardware are available before beginning assembly.
- II. Follow each step carefully to ensure the proper assembly of this product.
- III. Two people are recommended for ease in the assembly of this product.
- IV. The main type of hardware used to assemble this product is: bolts.
- V. Power tools should not be used to assemble this product .

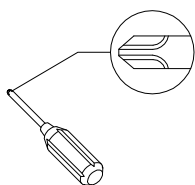


Parts List



Hardware List

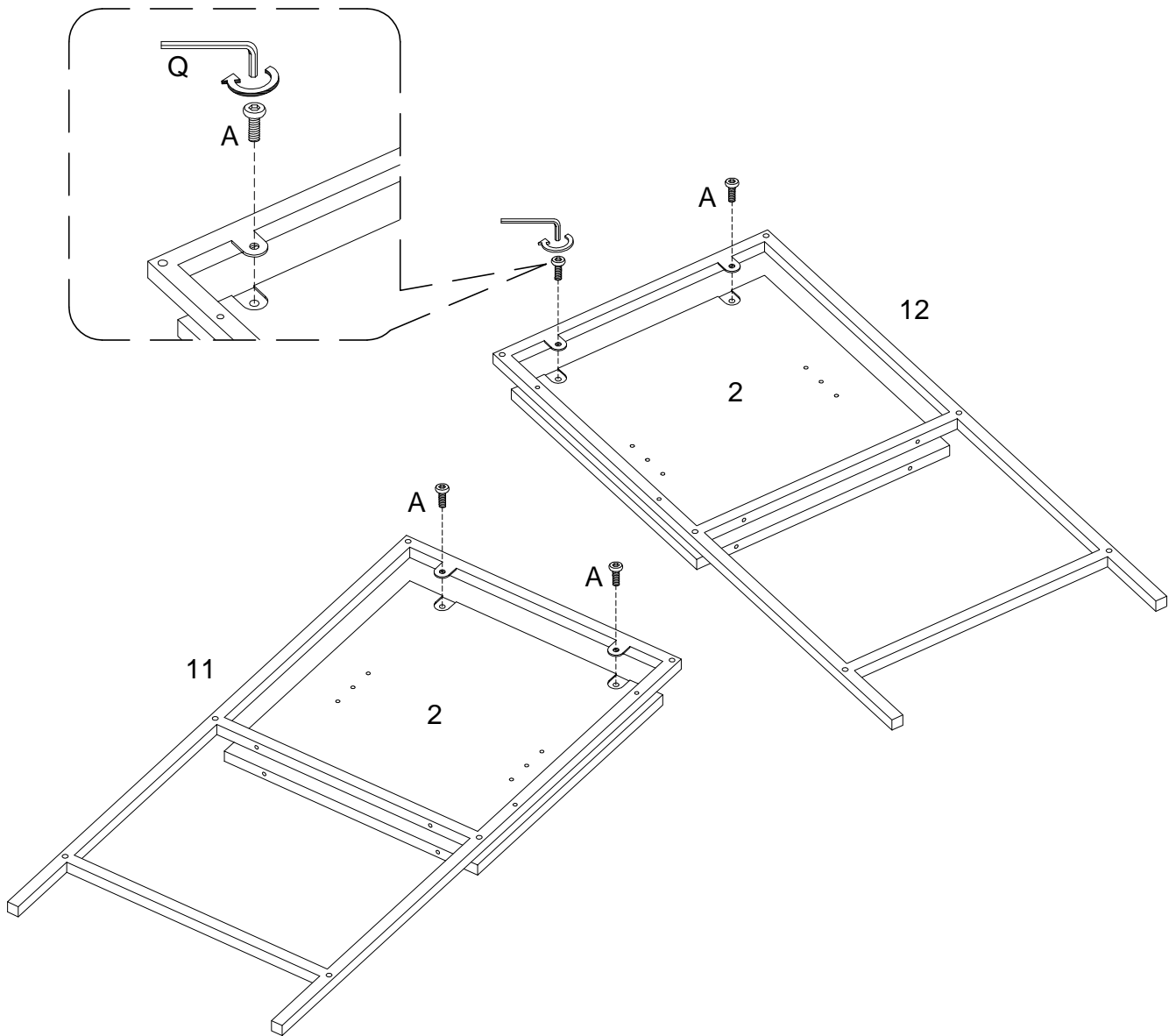
A		Ø1/4"x12mm	Bolt	26 pcs
B		Ø1/4"x25mm	Bolt	16 pcs
C		Ø1/4"x25mm	Bolt	4 pcs
D		Ø4x35mm	Screw	8 pcs
E			Shelf support pin	12 pcs
F			Door stopper	2 pcs
G		Ø3x15mm	Screw	4 pcs
H			Handle	2 pcs
J		Ø4x22mm	Handle Bolt	4 pcs
K		Ø4x12mm	Screw	10 pcs
L		Ø4x8mm	Screw	12 pcs
M			Velcro strap	2 pcs
N		Ø4x30mm	Screw	2 pcs
P			Plug	2 pcs
Q		M 4	Hex Key	1 pc



Philips head screwdriver required for assembly
(not included)

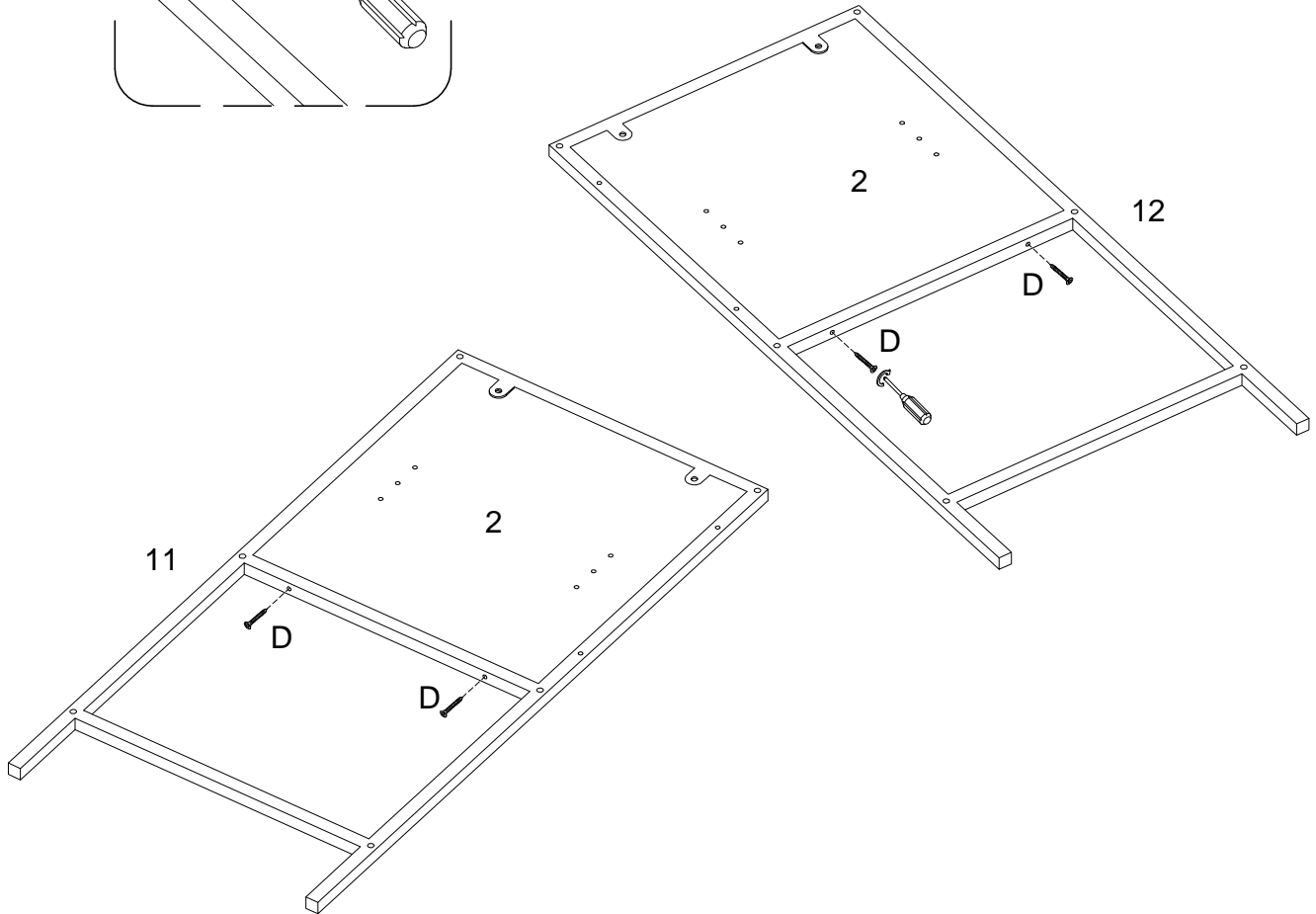
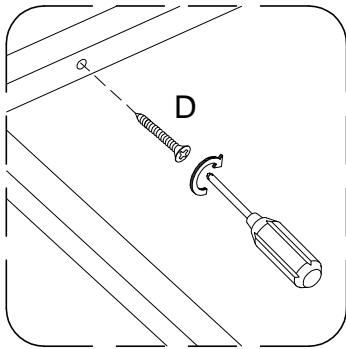
*The hardware quantities listed above are required for proper assembly.
Some extra hardware may also have been included.*

Step 1



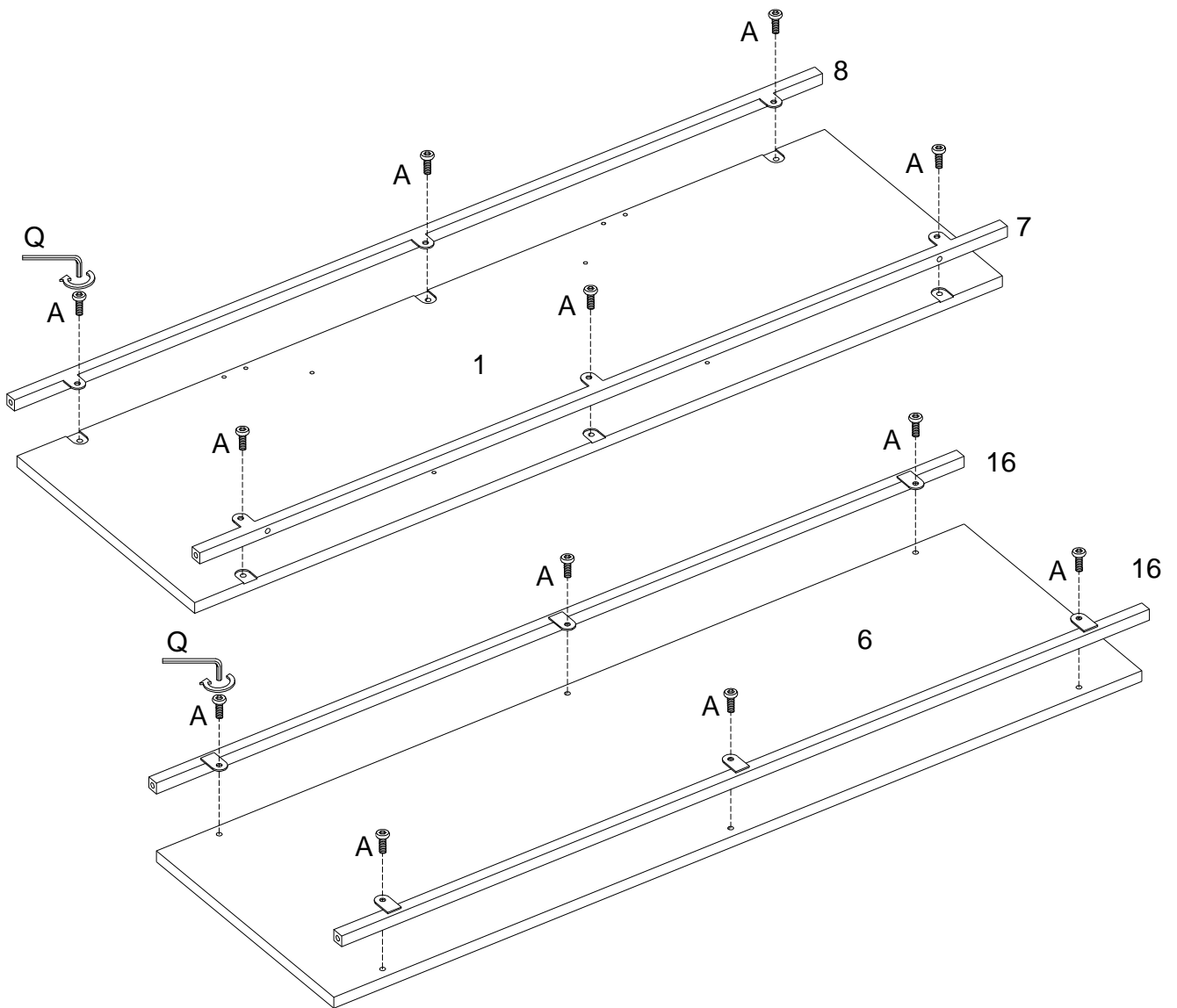
Insert part (2) to parts (11,12) ,using bolt (A) secure part (2) to parts (11,12) with hex key (Q) as per diagram.

Step 2



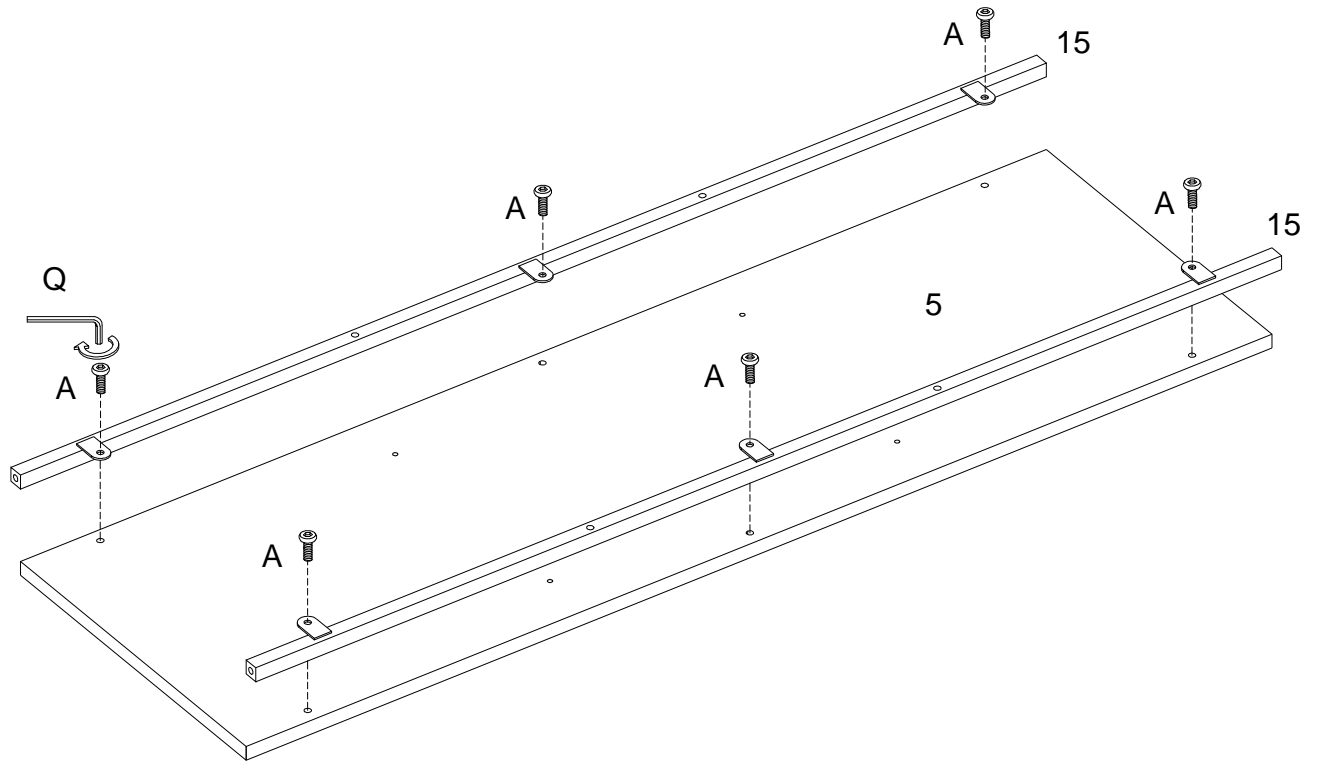
Using screw (D) attach part (2) to parts (11,12) with Philips head screwdriver as per diagram.

Step 3



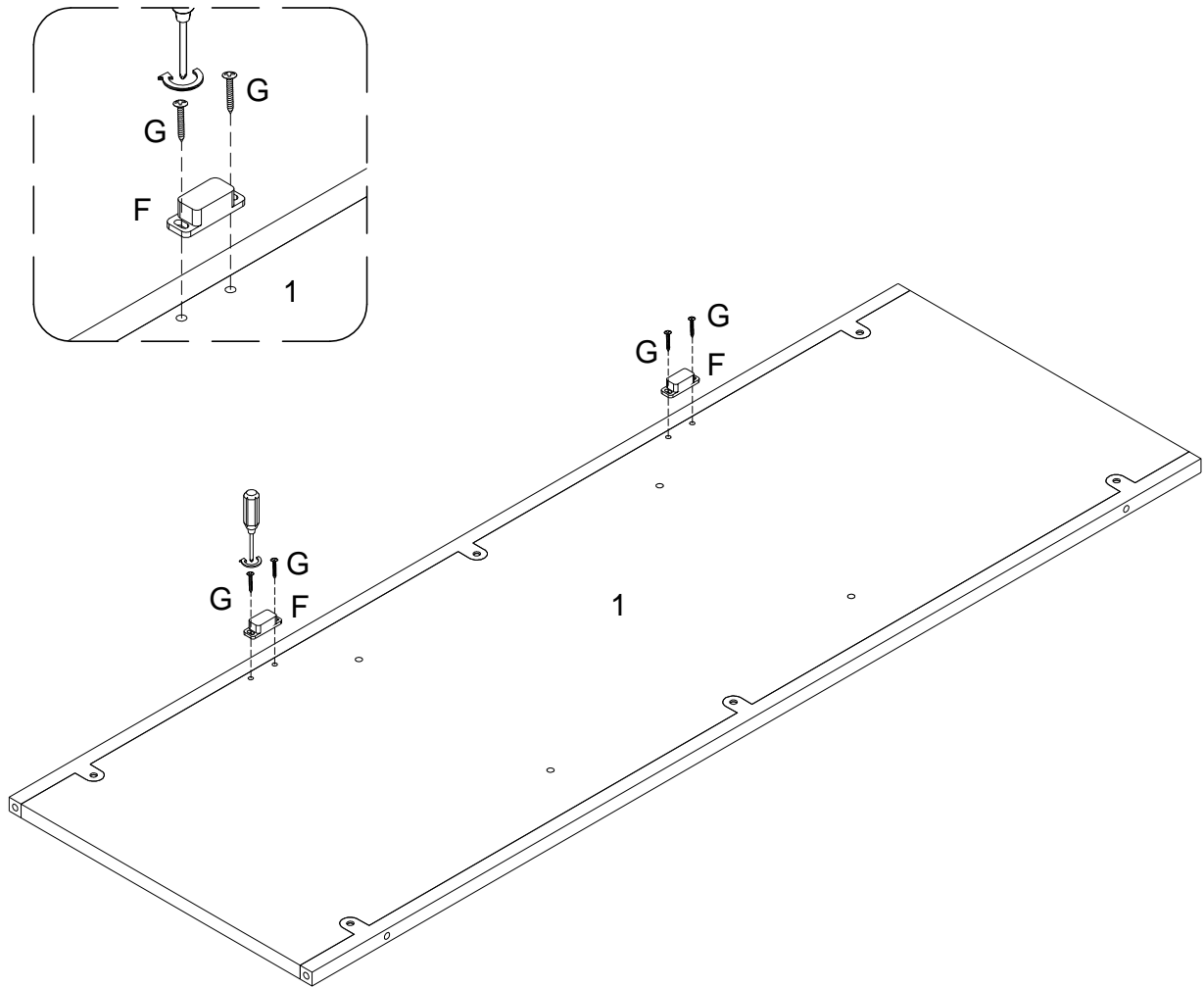
Using bolt (A) attach parts (7,8) to part (1) , part (16) to part (6) with hex key (Q) as per diagram.

Step 4



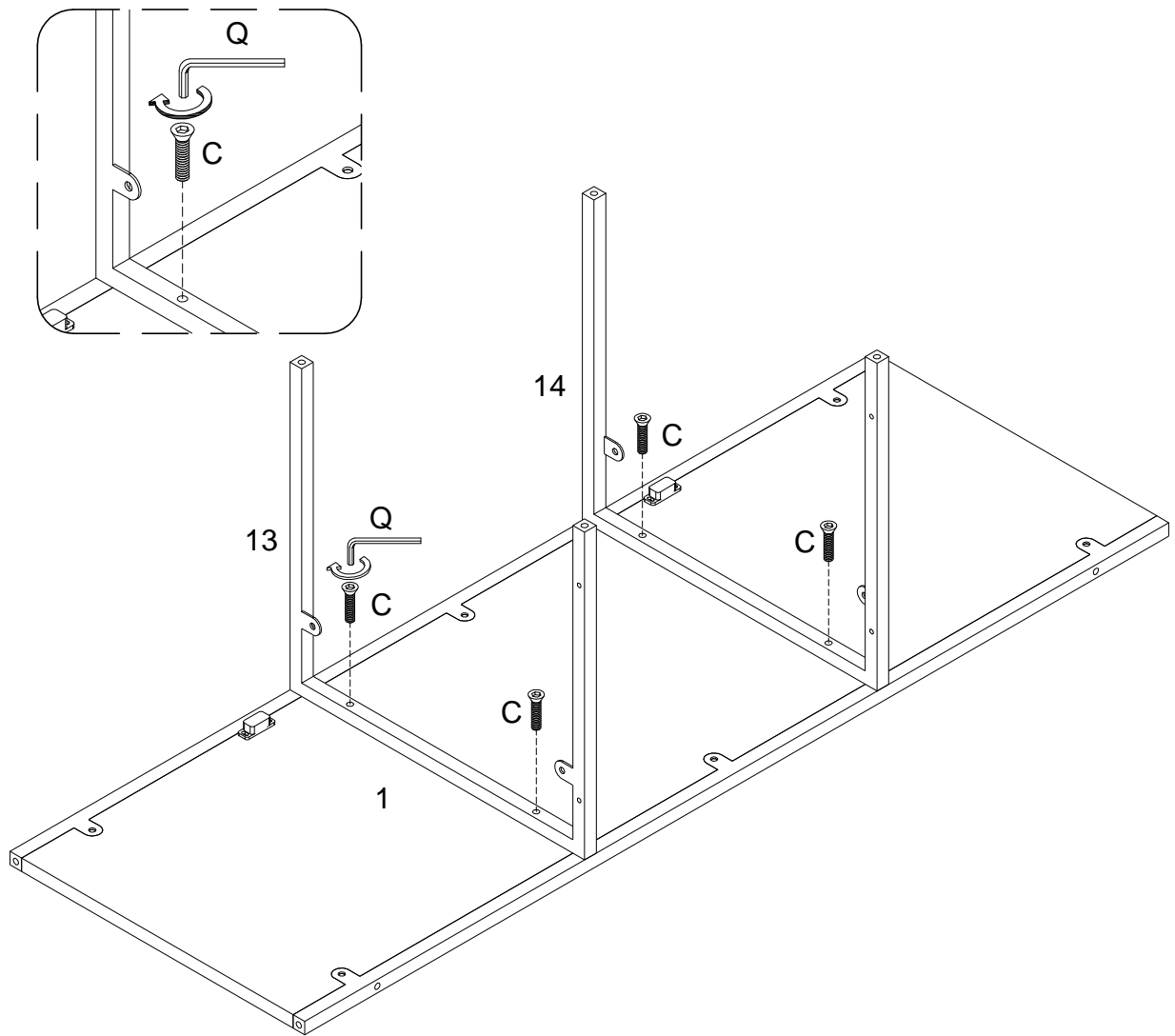
Using bolt (A) secure parts (15) to part (5) with hex key (Q) as per diagram.

Step 5



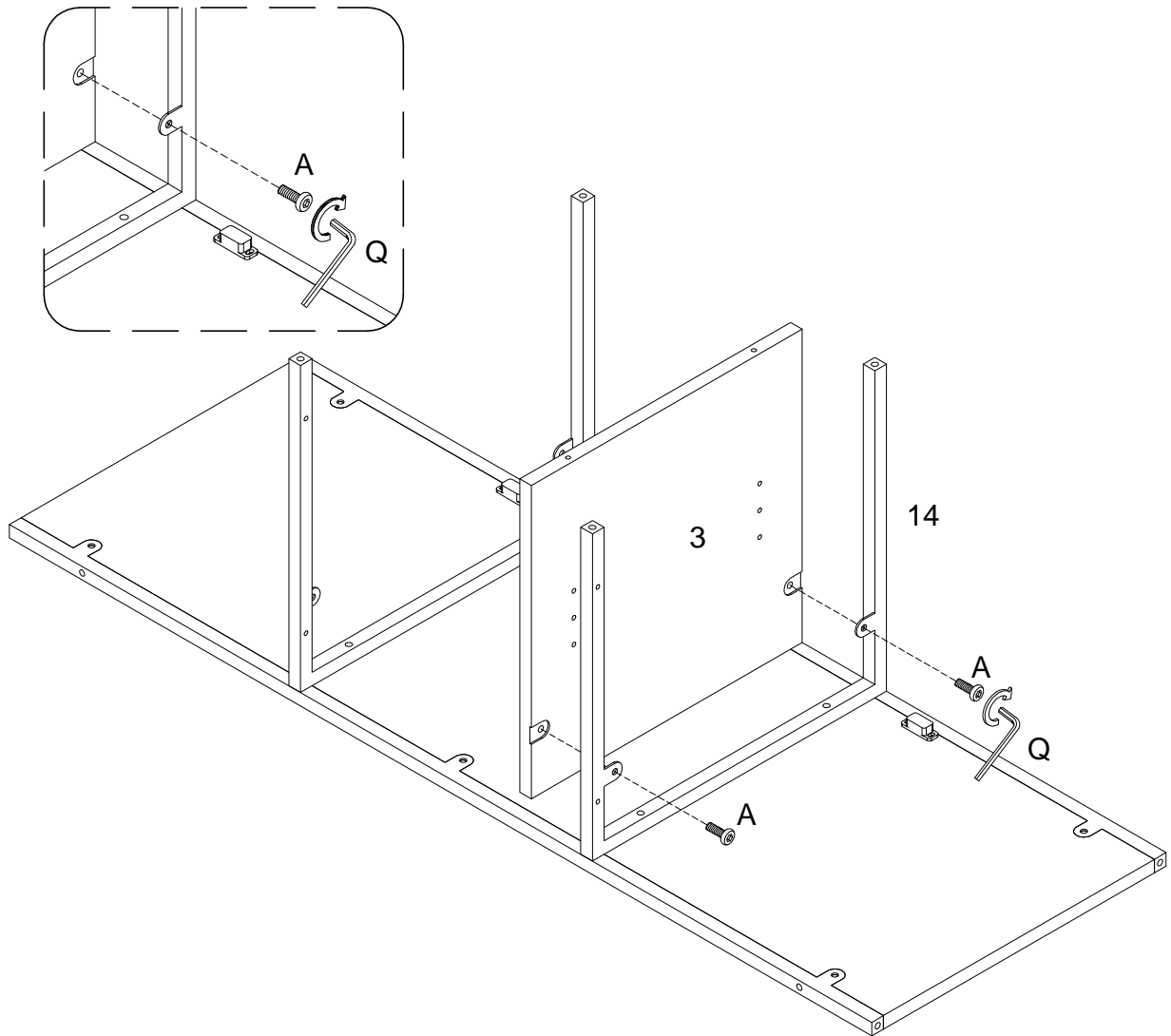
Using screw (G) secure door stopper (F) to part (1) with Philips head screwdriver as per diagram.

Step 6



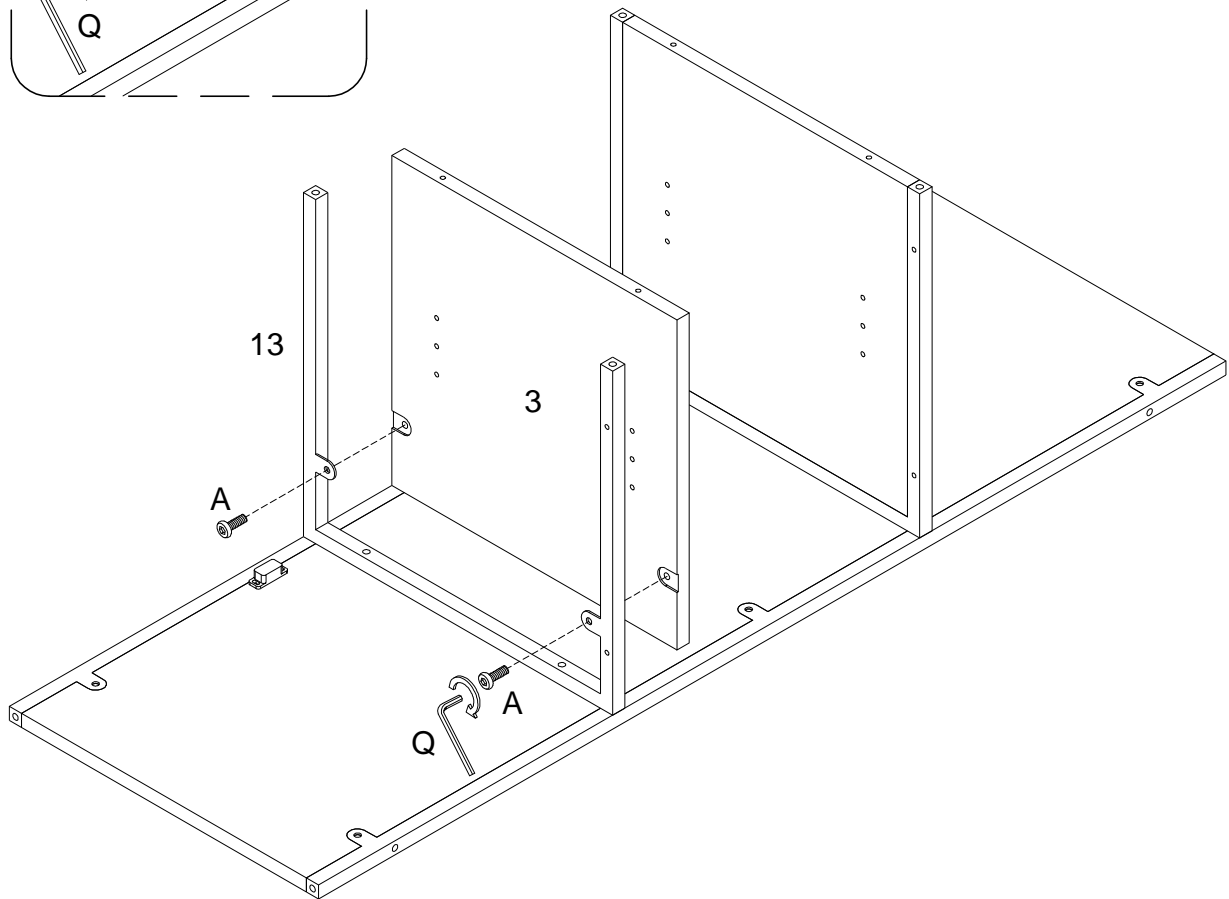
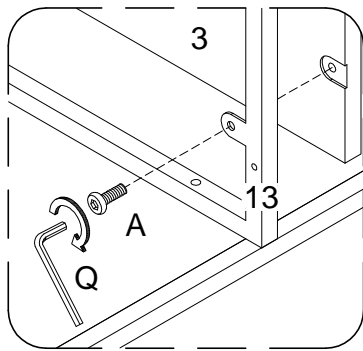
Using bolt (C) secure parts (13,14) to part (1) with hex key (Q) as per diagram.

Step 7



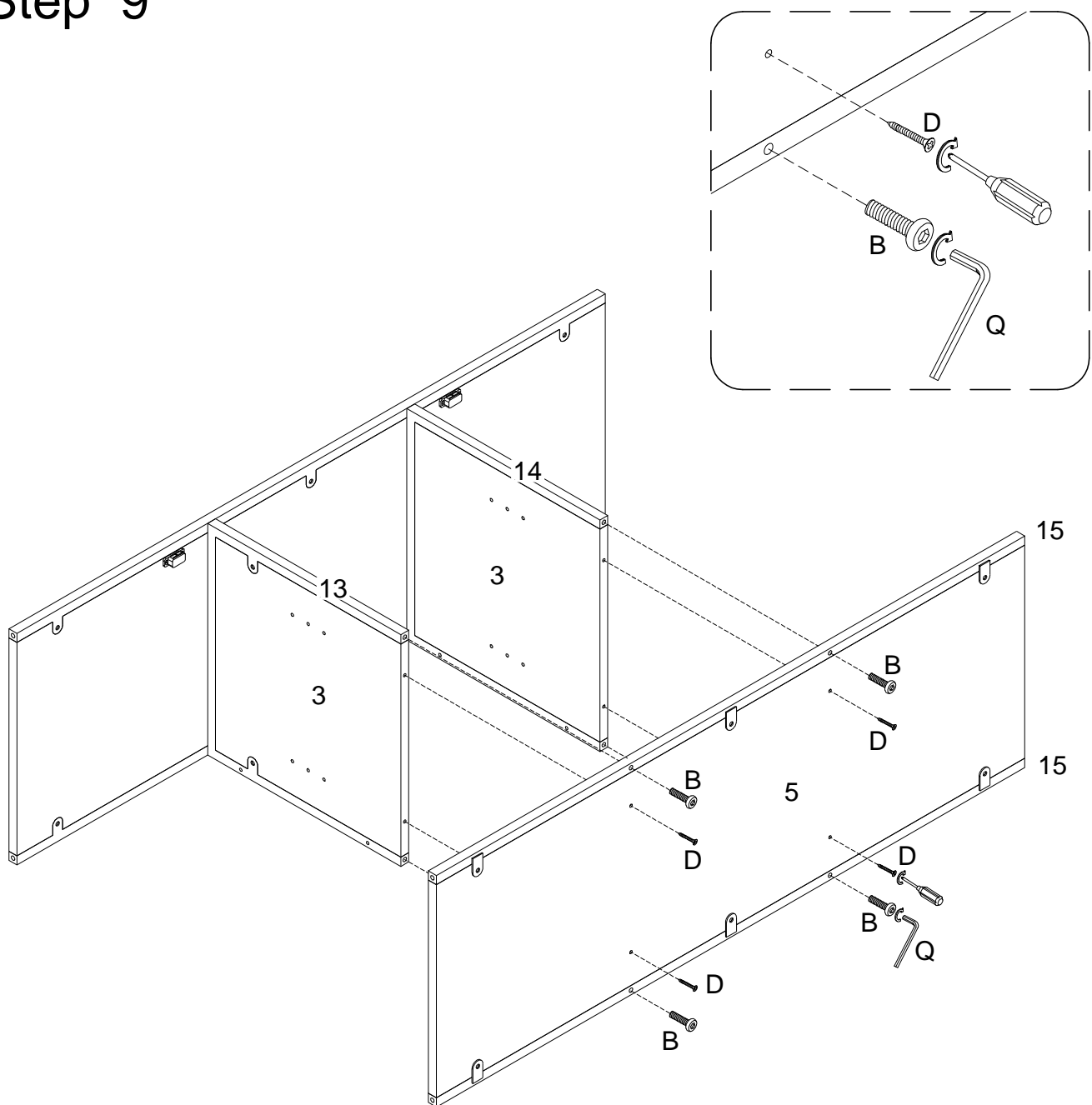
Using bolt (A) secure part (3) to part (14) with hex key (Q) as per diagram.

Step 8



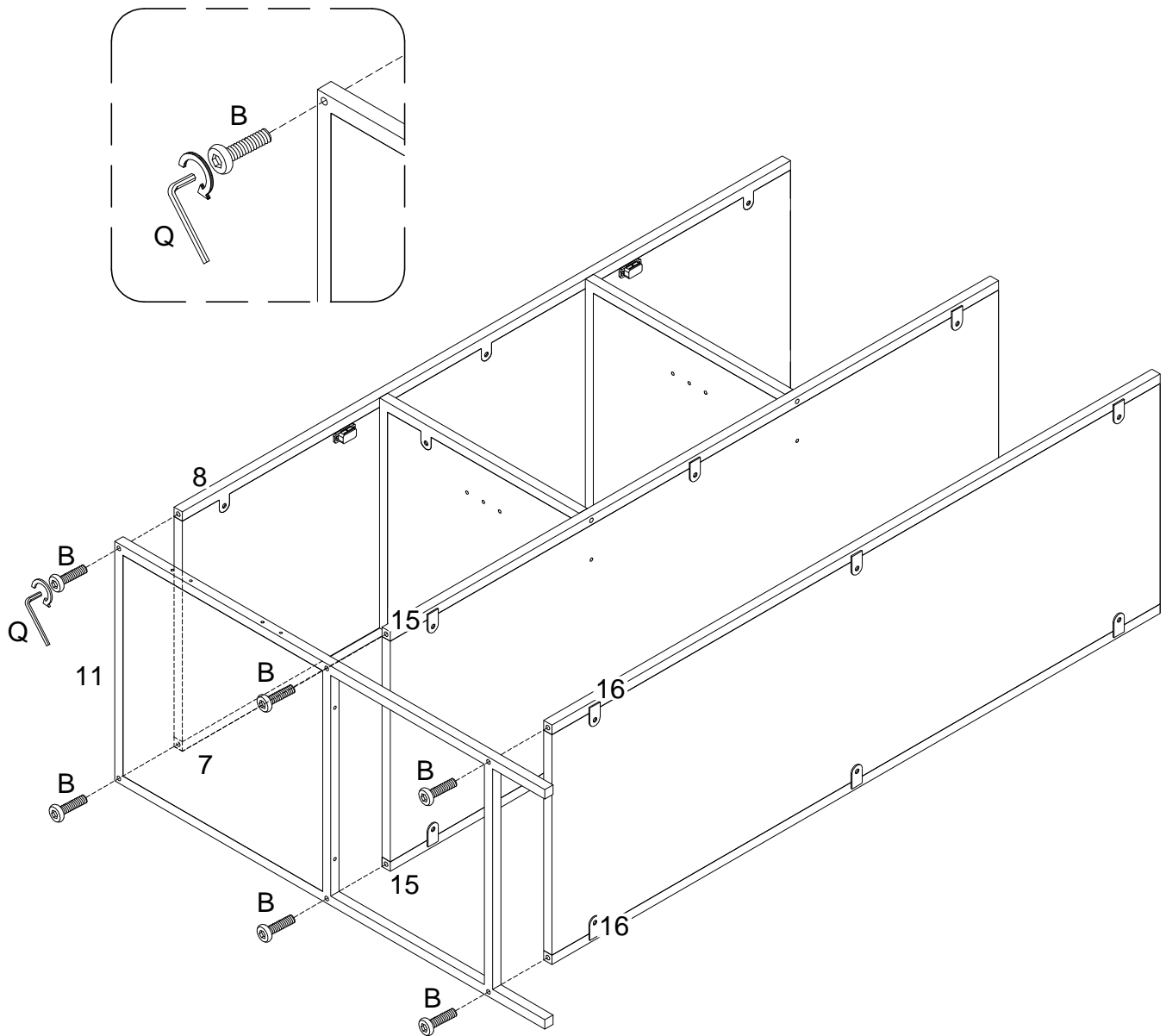
Using bolt (A) secure part (3) to part (13) with hex key (Q) as per diagram.

Step 9



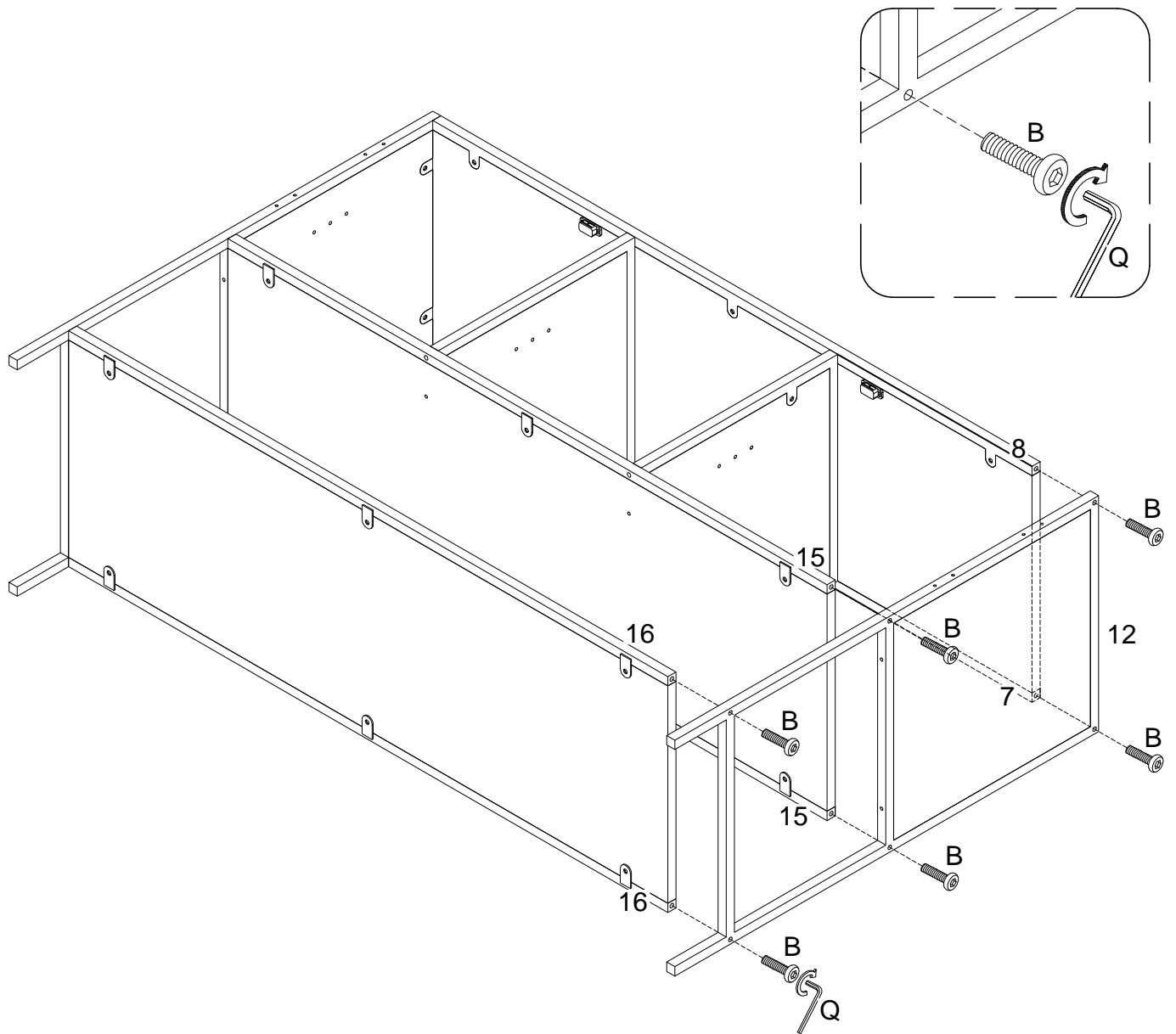
Using bolt (B) secure part (15) to parts (13,14) with hex key (Q) ,then using screw (D) secure part (5) to parts (3) with Philips head screwdriver as per diagram.

Step 10



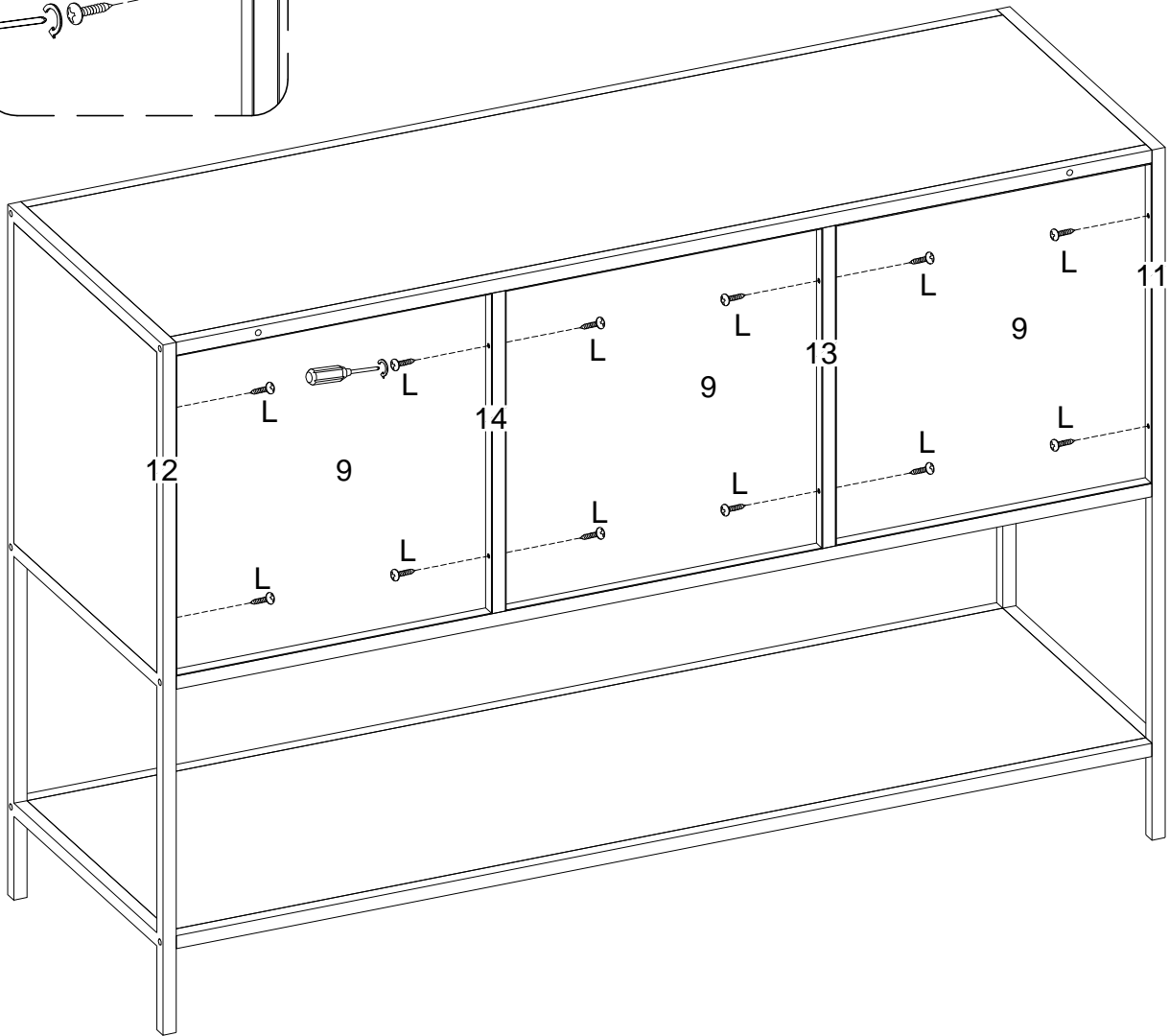
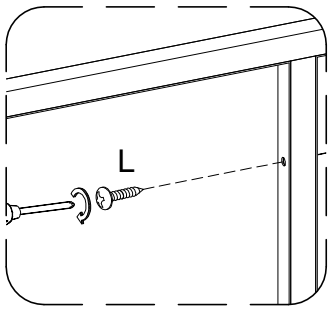
Using bolt (B) secure part (11) to parts (7,8,15,16) with hex key (Q) as per diagram.

Step 11



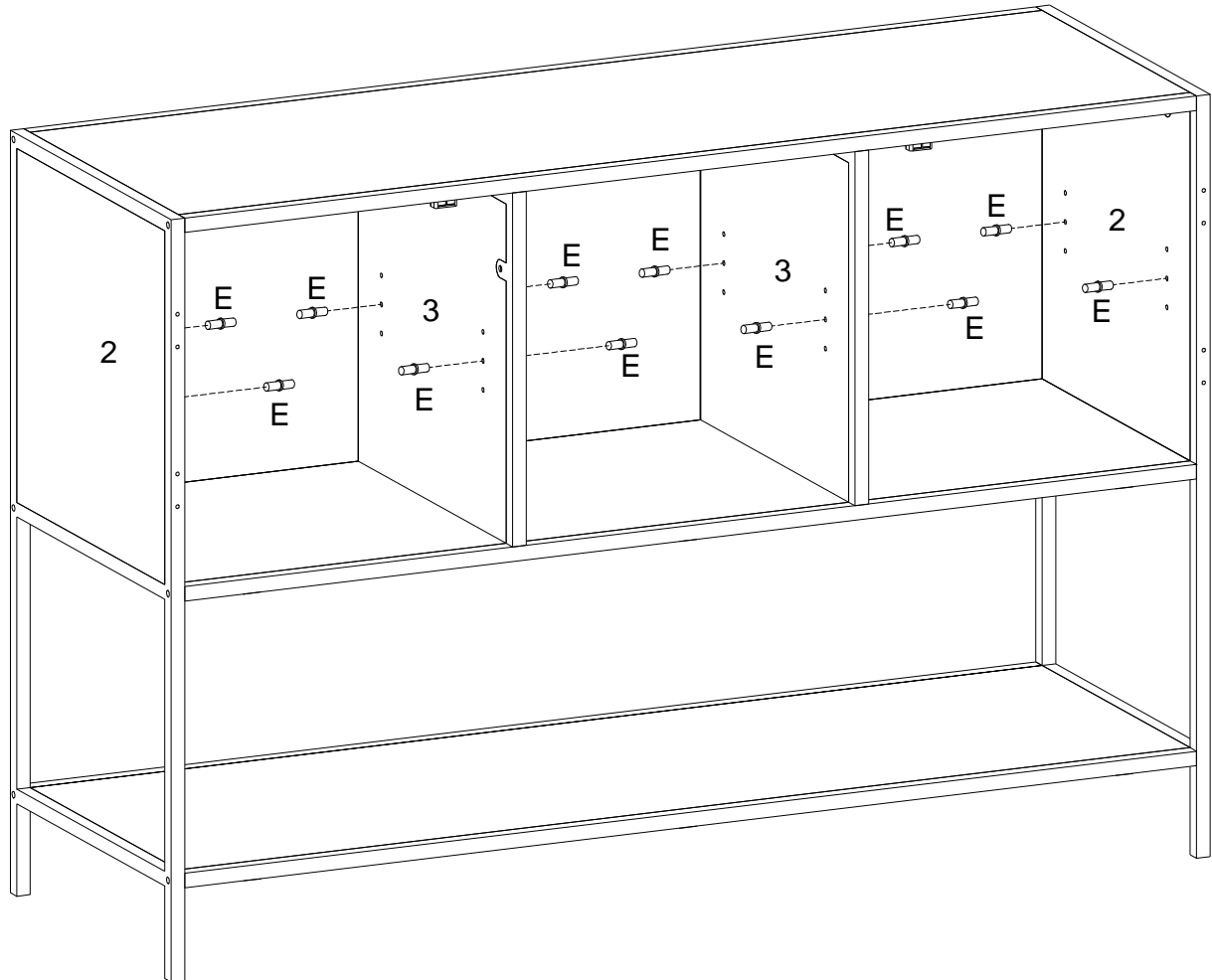
Using bolt (B) secure part (12) to parts (7,8,15,16) with hex key (Q) as per diagram.

Step 12



Using screw (L) secure part (9) to parts (11,12,13,14) with Philips head screwdriver as per diagram.

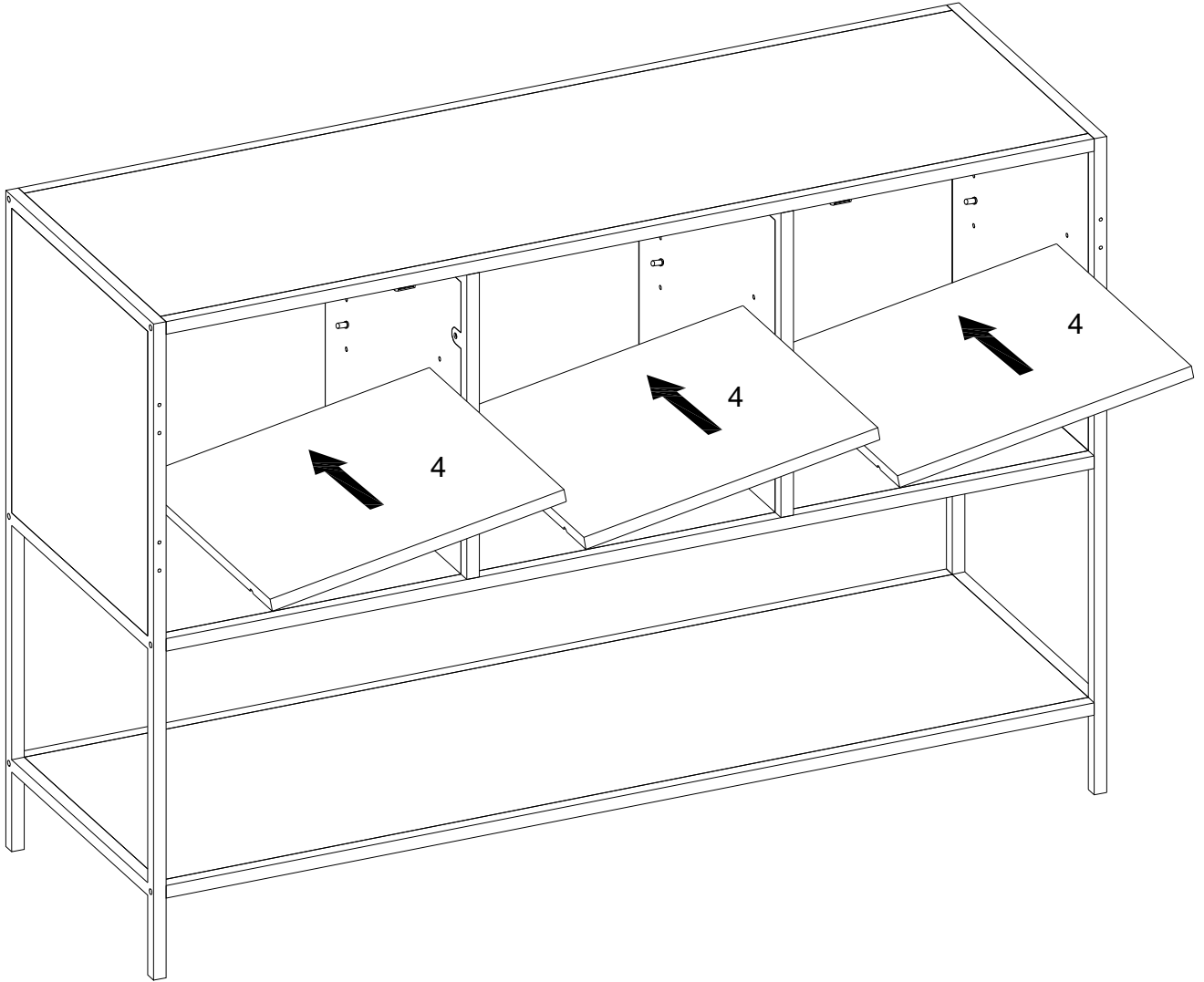
Step 13



Put shelf support pin (E) into parts (2,3) as per diagram.

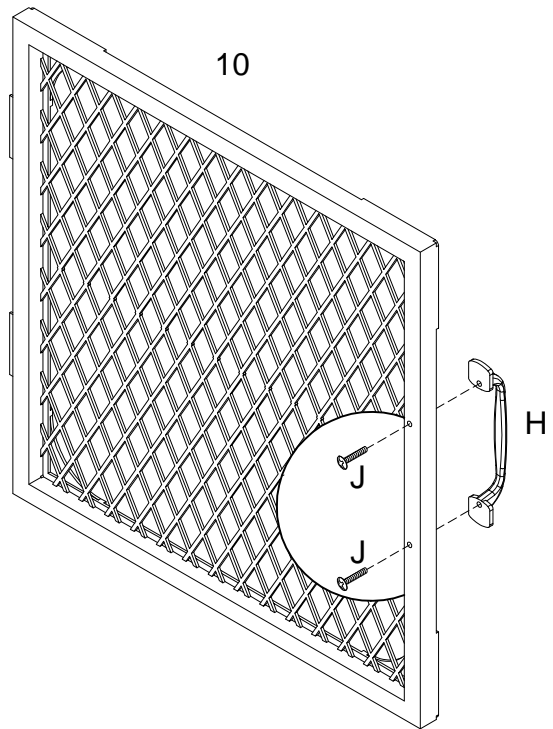
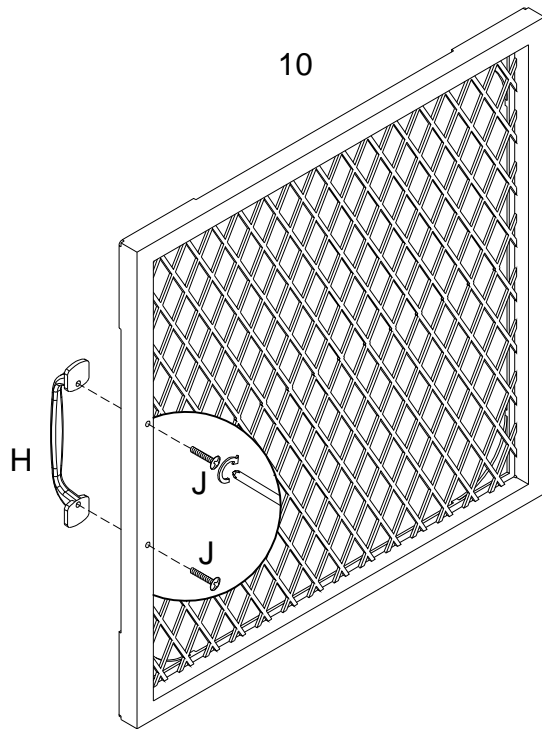
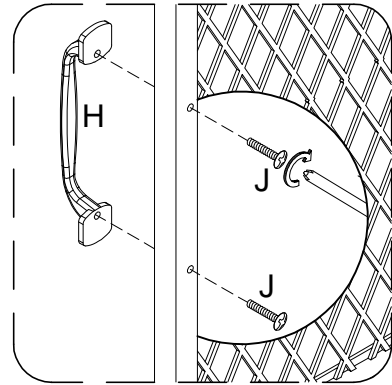
Make sure you place the four support pins (E) in the same level so the shelf is not tilted .

Step 14



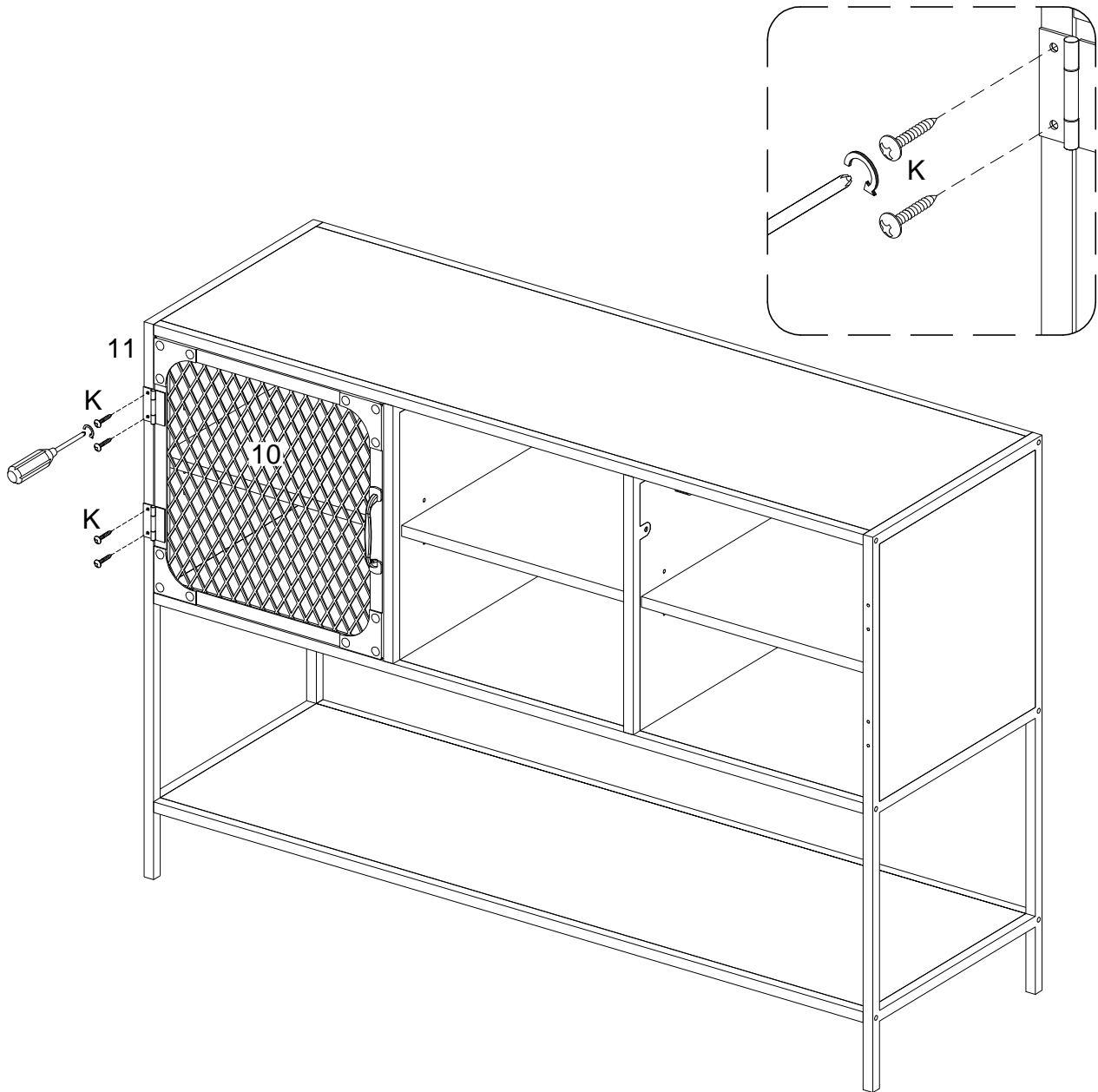
Put parts (4) into cabinet as per diagram. Tilt and rest the adjustable shelves (4) onto the shelf support pins (E)

Step 15



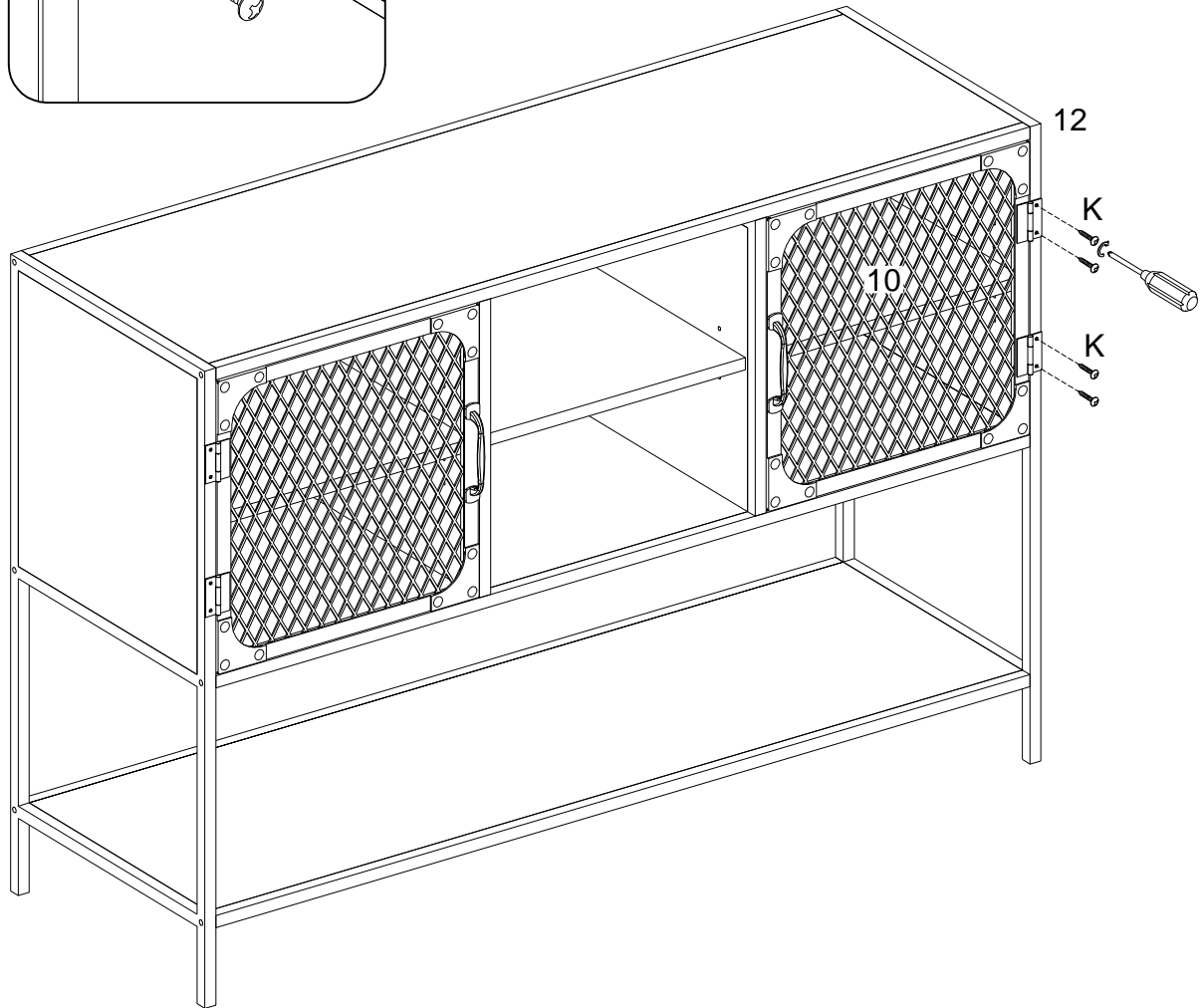
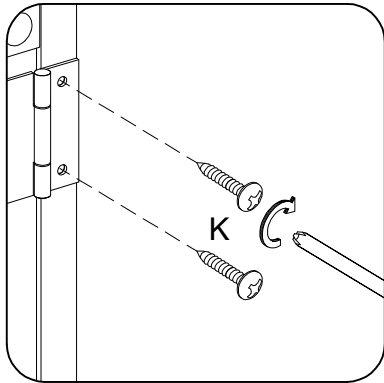
Using handle bolt (J) attach handle (H) to part (10) with Philips head screwdriver as per diagram.

Step 16



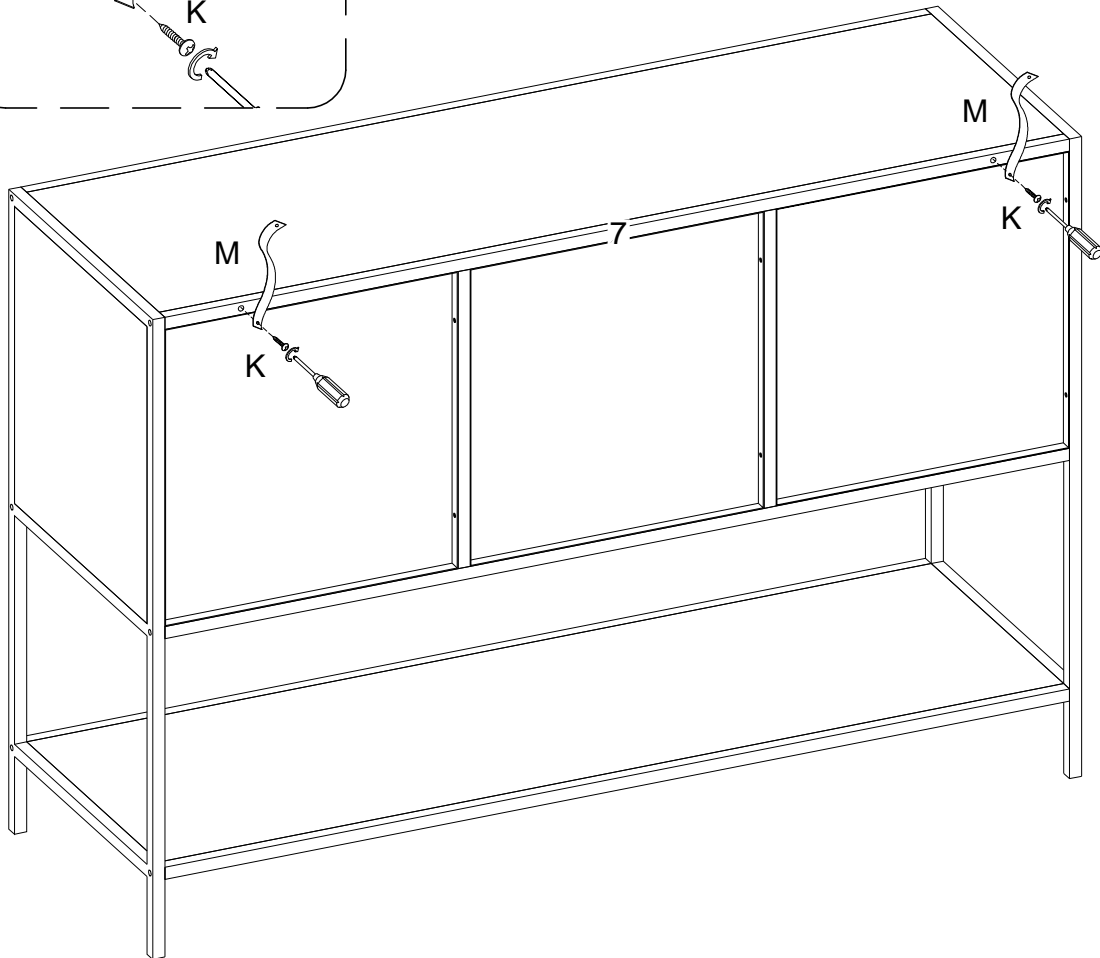
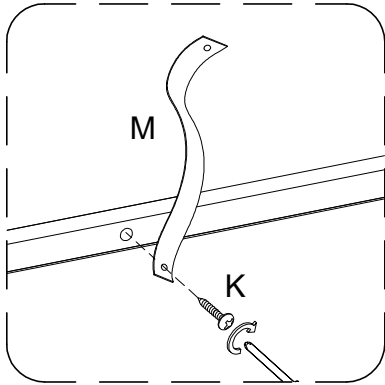
Using screw (k) secure part (10) to part (11) with Philips head screwdriver as per diagram .

Step 17



Using screw (k) secure part (10) to part (12) with Philips head screwdriver as per diagram .
Open and close the doors to make sure they are aligned and shut correctly. If necessary ,adjust
the screws for a good fit .

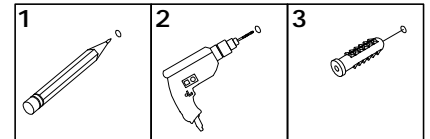
Step 18



Using screw (k) secure one side of velcro strap (M) to part (7) with Philips head screwdriver as per diagram .

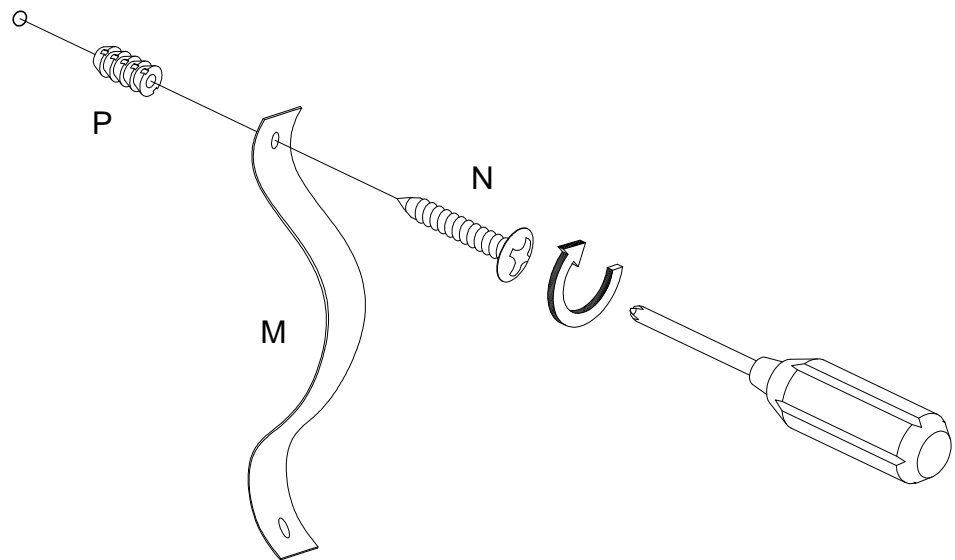
Step 19

WARNING



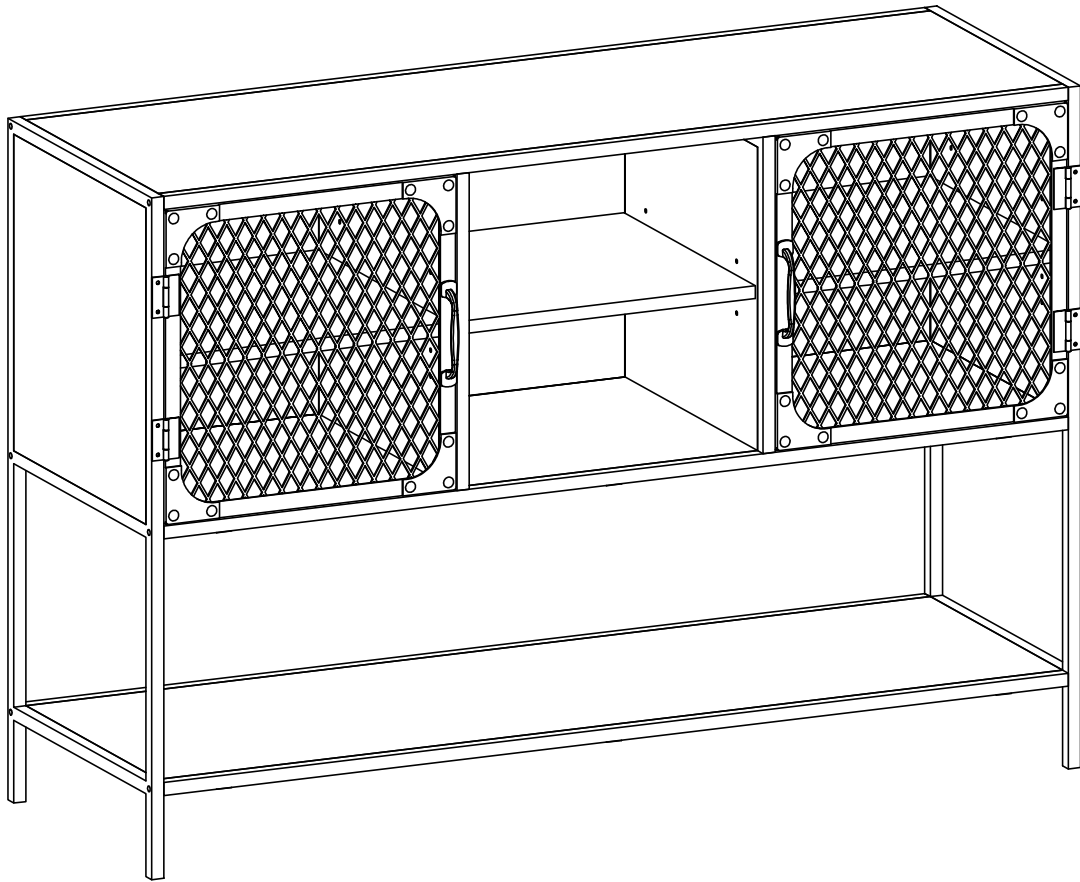
Serious or fatal injuries can occur from furniture tipping over. To prevent the furniture from tipping over we recommend that it is permanently fixed to the wall. Wall anchor and hardware are included with this product. Please make sure hardware is suitable for your walls before installing, as different wall materials may require different types of anchors.

Wall



Using screw (N) secure the other side of velcro strap (M) to plug (P) to wall with Philips head screwdriver as per diagram .

Step 20



Final Assembly