

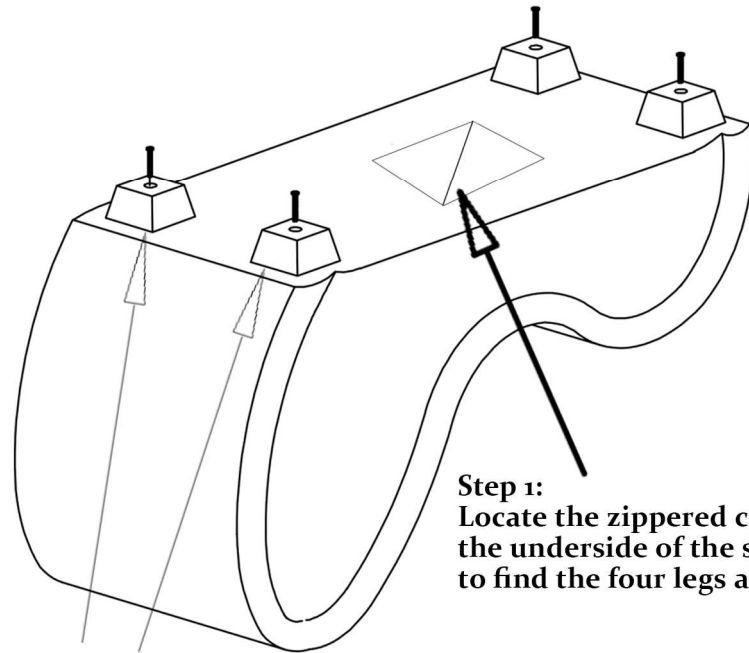


## Assembly Instructions for Tantra Sofa Seat Legs Model A125DL

	<b>4 Screws</b>
	<b>4 Legs</b>

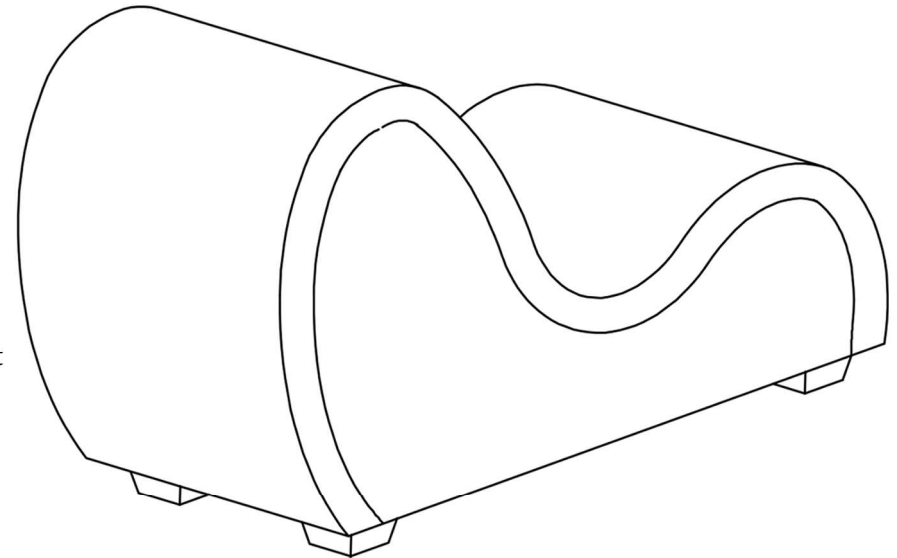


**Step 1:**  
Locate the zippered compartment on the underside of the sofa seat. Open it to find the four legs and four screws

**Step 2:**  
Position each leg over the pre-drilled holes at each corner of the sofa base. Ensure you align each leg correctly for a stable fit.

**Step 3:**  
Insert one screw through each hole in the leg, securing it directly into the sofa base. Tighten each screw securely to ensure a stable attachment, but avoid over-tightening. Slight adjustments can be made to ensure balance on uneven floors.

**Legs:** "Found in the zippered compartment under the sofa."  
**Screws:** "One screw per leg for secure attachment."



- **Note:** "Ensure all screws are tightened securely, but avoid over-tightening. This will allow for slight adjustments to ensure the sofa sits level on the floor if necessary."
- **Important:** "All parts required for assembly, including the legs and screws, are stored in the compartment"