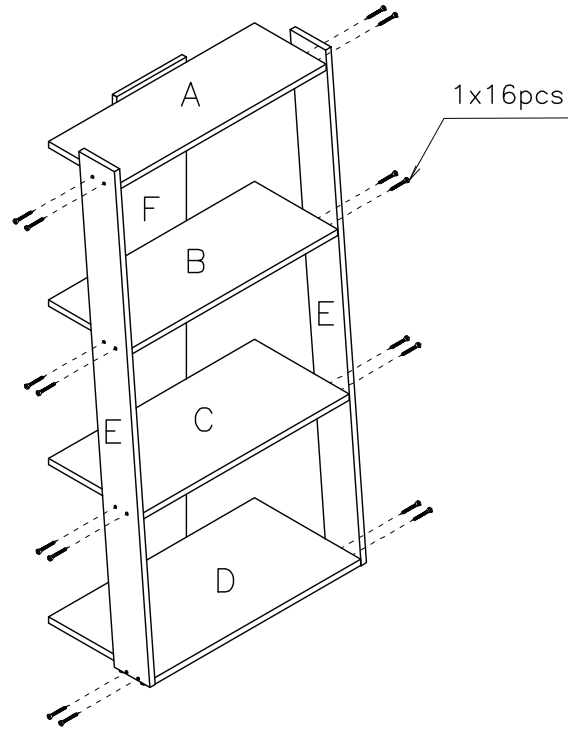
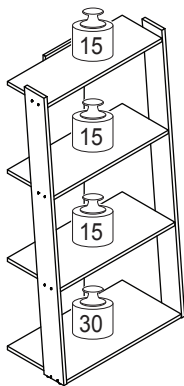


STEP 3

Fasten Side Panel (E) to Panel (A)(B)(C)(D) with Screw (1).



Recommended Maximum Weight



*Unit in Pound(lbs)

WARNING:

>This unit has been designed to support the maximum loads shown. Exceeding these load limits could cause sagging, instability, product collapse, and/or serious injury.

>DO NOT allow children to climb on unit.

>Put heavier items on lower shelves.

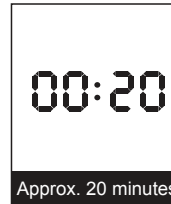


Assembly Instruction

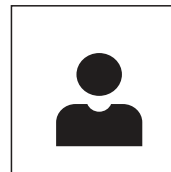
Furinno Hidup Tropika Tall Ladder Shelf

MODEL : **11075**

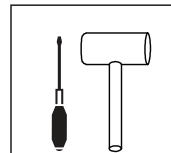
DIMENSION : 23.6"(W) x 47.2"(H) x 11.6"(D)



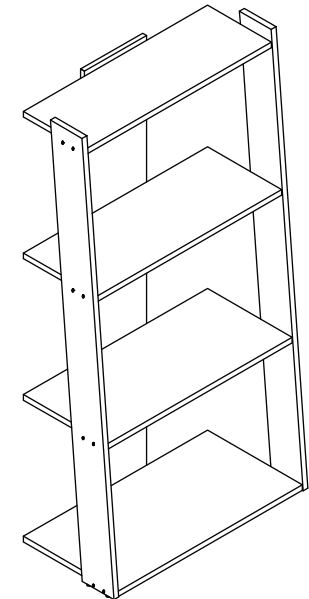
Approx. 20 minutes



Recomm. 1 Person



Tool Required

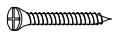
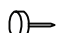







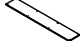
Customer Support

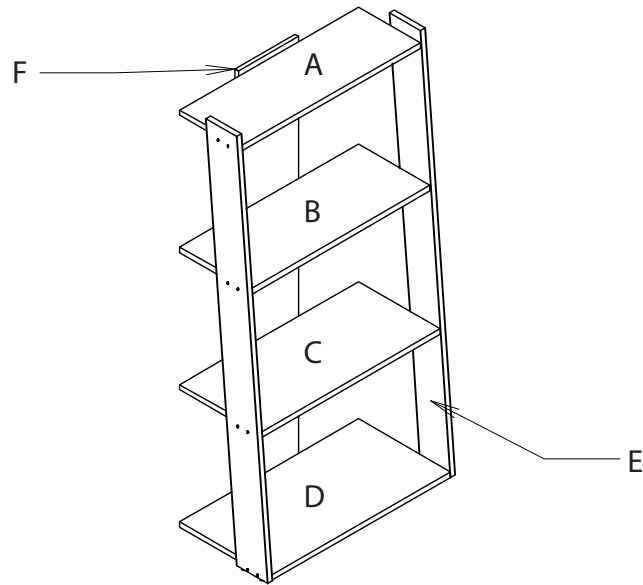
NEED HELP? For help with assembly, or if you are missing a part, please call Furinno Customer Service, 1-773-299-8111 from Mon-Fri, 9am-5pm (CST) or email: support@furinno.com

www.furinno.com



No	Hardware List	Qty
1	Chipboard Screw 	24pcs
2	Nail Leg 	6pcs

No	Parts List	Qty
A	1st Shelf Panel 	1pc
B	2nd Shelf Panel 	1pc
C	3rd Shelf Panel 	1pc
D	4th Shelf Panel 	1pc
E	Side Panel 	2pcs
F	Back Panel 	1pc

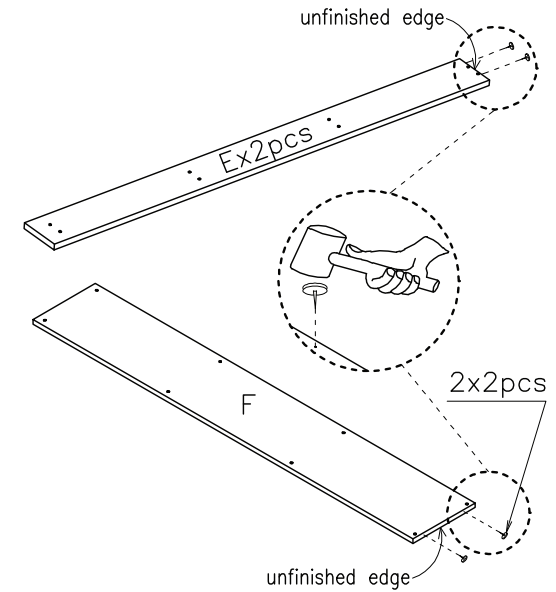


USEFUL HINTS BEFORE YOU START:

1. Read each step carefully before starting.
2. It is important that each step is performed in correct order to avoid difficulties.
3. Identify, sort and count the parts before assembly.
4. Assemble your furniture on packaging cardboard to prevent scratch or damage.
5. Clean the product with mild cleanser using soft damped cloth. Do not use harsh or abrasive cleanser.
6. Using incompatible hardware might cause damage to product.

STEP 1

Install Nail Leg (2) to the bottom side of Panels (E)(F) with hammer.



STEP 2

Fasten Back Panel (F) to Panel (A)(B)(C)(D) with Screw (1).

