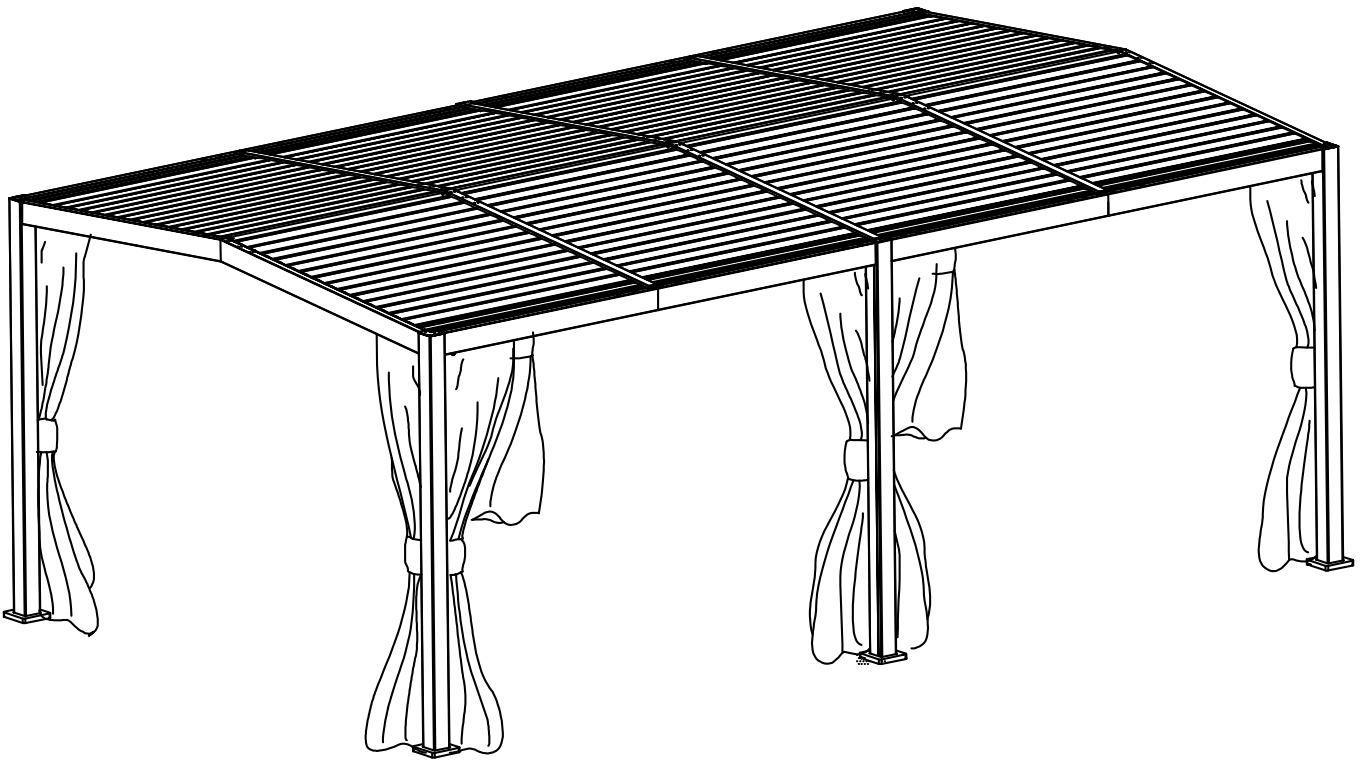


INSTRUCTION MANUAL

SKU: WQG130BK

12FT x 20FT PERGOLA



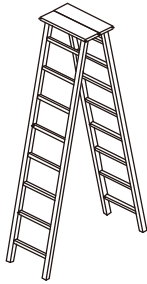
Note: The pergola needs to be installed in cooperation with six people. The following tools are not included and needed for assembly:



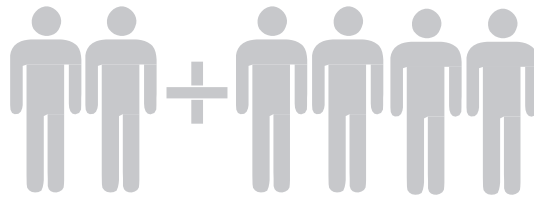
Pistol Drill



Tape Measure



2 m Adjustable Ladder



6 people

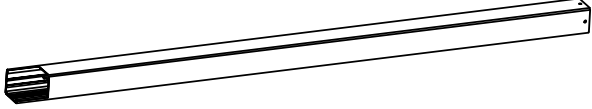
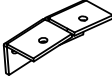


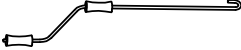
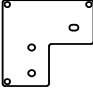
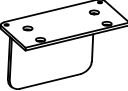


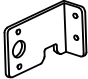
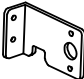


Warning

1. Six person assembly is required for this pergola.
2. Please take appropriate actions as heavy rain, wind and snow can damage the pergola. If necessary please disassemble and store for later use.
3. In snowy conditions, please do not allow the thickness of the snow to be more than 1.97 inches on the roof, this should be cleared as soon as possible for your safety. When the wind speed reaches 38mi/h, please take measures to avoid the wind.

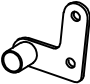

ATTENTION:

1. Please check the manual carefully and make sure you have received all the parts.
2. If there is any missing, please let us know the letter of the parts you need.
3. If there is any damage, please send clear photos to us, we will check and offer you the best solution soon.

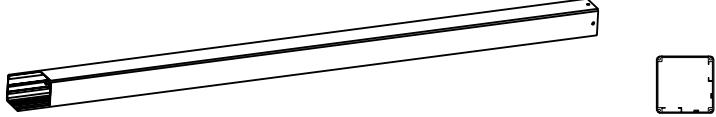

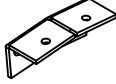


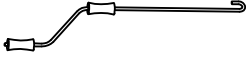
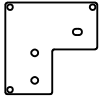
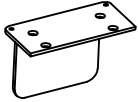


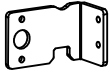
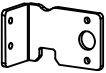

Parts List (BOX A)

| PART NO | DESCRIPTION | QTY | PART NAME |
|---------|---|-----|-----------|
| A |  | 3 | |
| G1 |  | 4 | |
| I |  | 4 | |
| I-1 |  | 4 | |
| J |  | 1 | |
| K |  | 2 | |
| K1 |  | 1 | |
| L |  | 3 | |
| M |  | 4 | |
| N |  | 2 | |
| N-1 |  | 2 | |
| P |  | 2 | |
| Q |  | 4 | |




Parts List (BOX A)

| PART NO | DESCRIPTION | QTY | PART NAME |
|---------|---|-----|-----------|
| R |  | 4 | |
| T |  | 1 | |

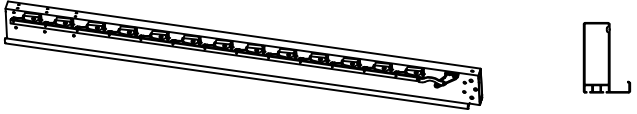
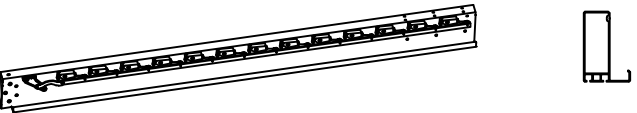
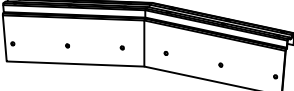
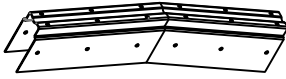
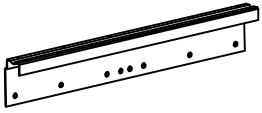


Parts List (BOX B)

| PART NO | DESCRIPTION | QTY | PART NAME |
|---------|---|-----|-----------|
| A |  | 1 | |
| A1 |  | 2 | |
| G1 |  | 4 | |
| I |  | 4 | |
| I-1 |  | 4 | |
| J |  | 1 | |
| K |  | 2 | |
| K1 |  | 1 | |
| L |  | 3 | |
| M |  | 4 | |
| N-2 |  | 2 | |
| N-3 |  | 2 | |
| P |  | 2 | |



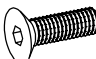
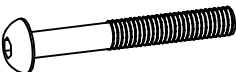


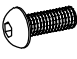
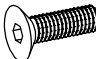



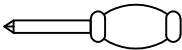
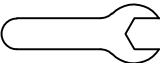
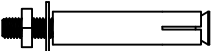
Parts List (BOX B)

| PART NO | DESCRIPTION | QTY | PART NAME |
|---------|---|-----|-----------|
| Q |  | 4 | |
| R |  | 4 | |
| T |  | 1 | |

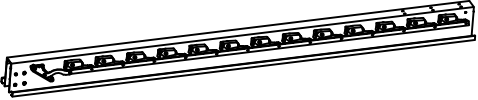

Parts List (BOX C)

| PART NO | DESCRIPTION | QTY | PART NAME |
|---------|---|-----|-----------|
| B |  | 2 | |
| B1 |  | 2 | |
| H |  | 2 | |
| H1 |  | 3 | |
| H2 |  | 6 | |
| O |  | 6 | |
| S |  | 6 | |

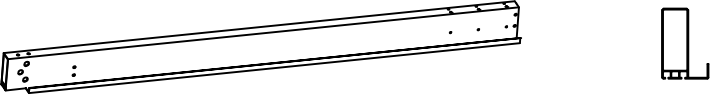



Parts List (BOX C)

| PART NO | DESCRIPTION | QTY | PART NAME |
|---------|--|-------|-----------|
| AA |  M6*15 | 240+2 | |
| BB |  M6*10 | 116+2 | |
| CC |  M6*15 | 24 | |
| DD |  M6*40 | 16 | |
| EE |  M6 | 32 | |
| FF |  M4*12 | 32 | |
| GG |  M5*12 | 16 | |
| HH |  M6*13 | 16 | |
| JJ |  4mm  4mm | 2 | |
| KK |  5mm | 1 | |
| LL |   10mm | 1 | |
| MM |  M6*50 | 24 | |


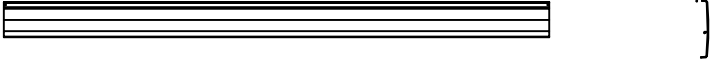
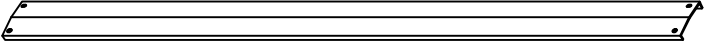
Parts List (BOX D)

| PART NO | DESCRIPTION | QTY | PART NAME |
|---------|--|-----|-----------|
| C |   | 6 | |


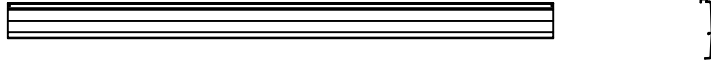
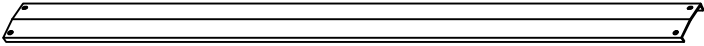
Parts List (BOX E)

| PART NO | DESCRIPTION | QTY | PART NAME |
|---------|--|-----|-----------|
| D |  | 2 | |
| D1 |  | 2 | |
| D2 |  | 2 | |
| D3 |  | 2 | |

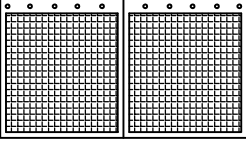
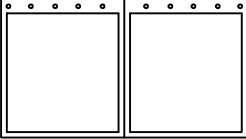
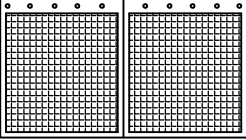
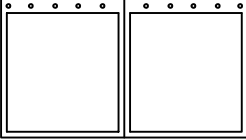
Parts List (BOX F)

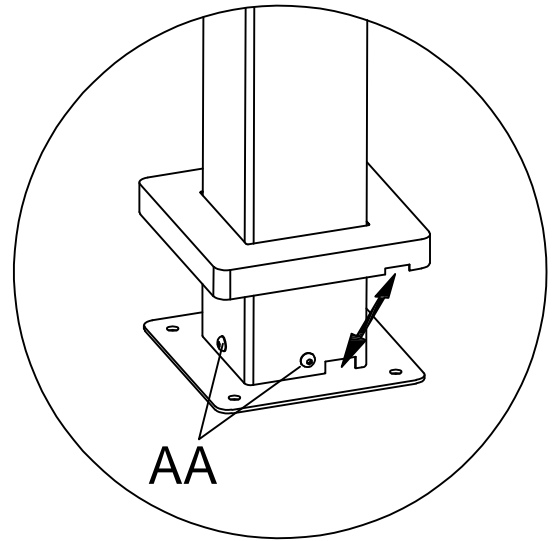
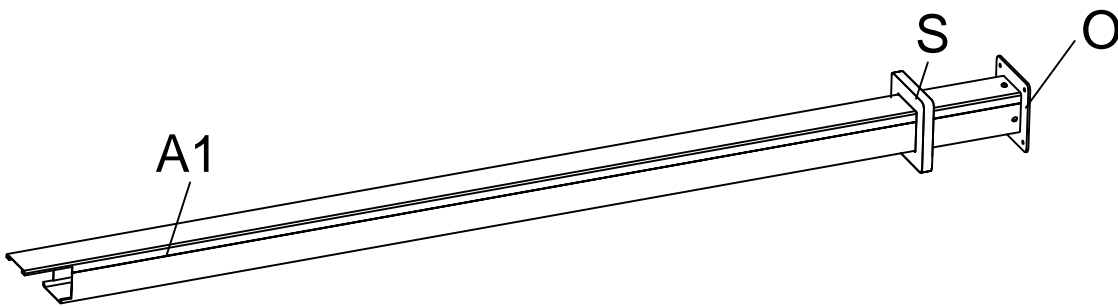
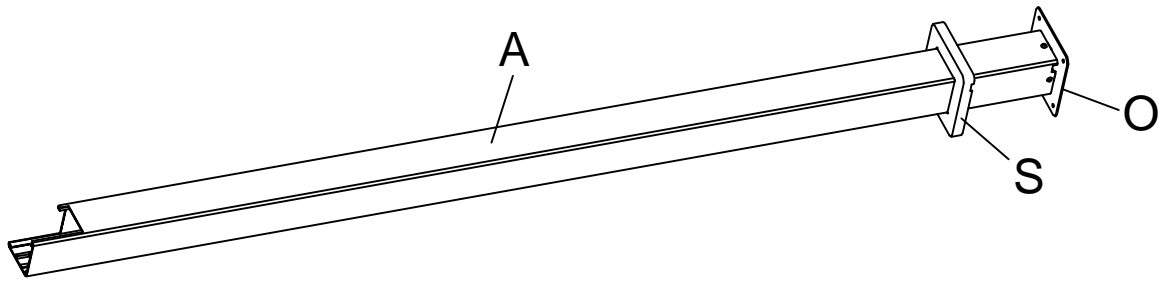
| PART NO | DESCRIPTION | QTY | PART NAME |
|---------|--|-----|-----------|
| E |  | 4 | |
| F |  | 56 | |
| G |  | 2 | |

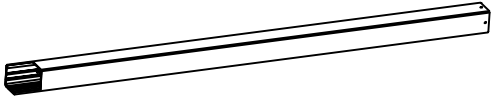




Parts List (BOX G)

| PART NO | DESCRIPTION | QTY | PART NAME |
|---------|--|-----|-----------|
| E |  | 4 | |
| F |  | 56 | |
| G |  | 2 | |

Parts List (BOX H)

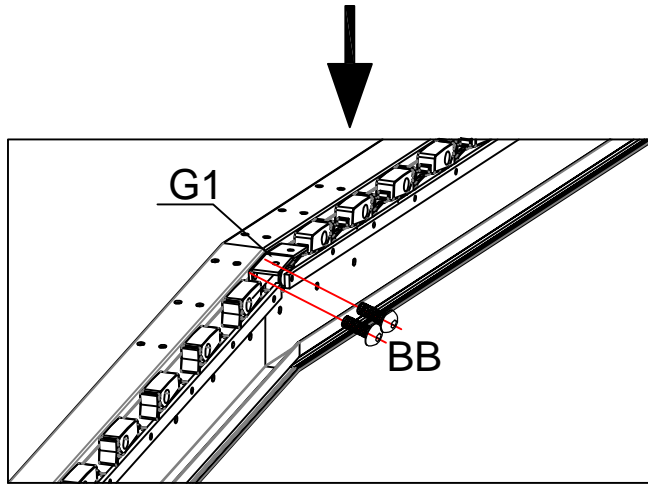
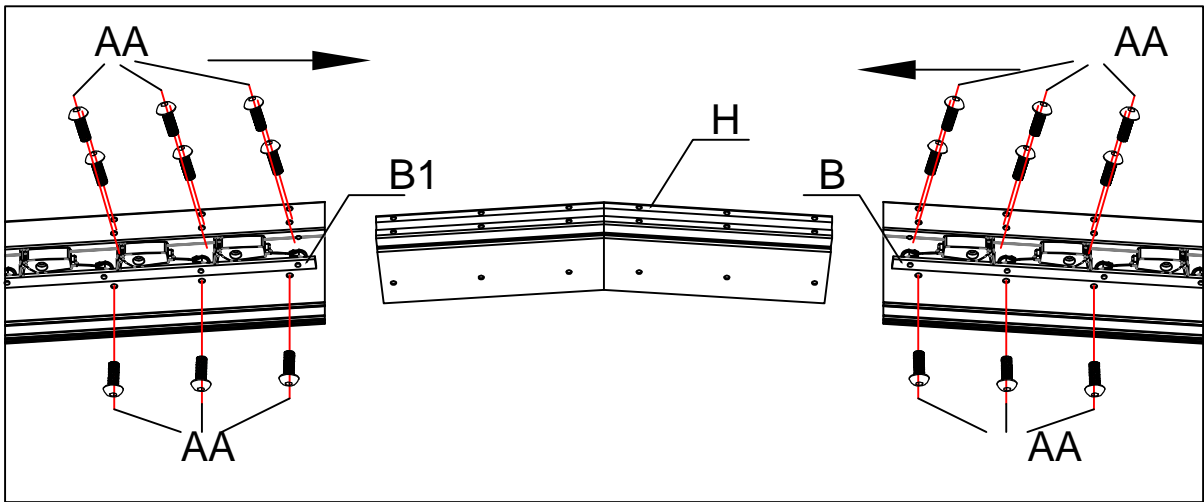
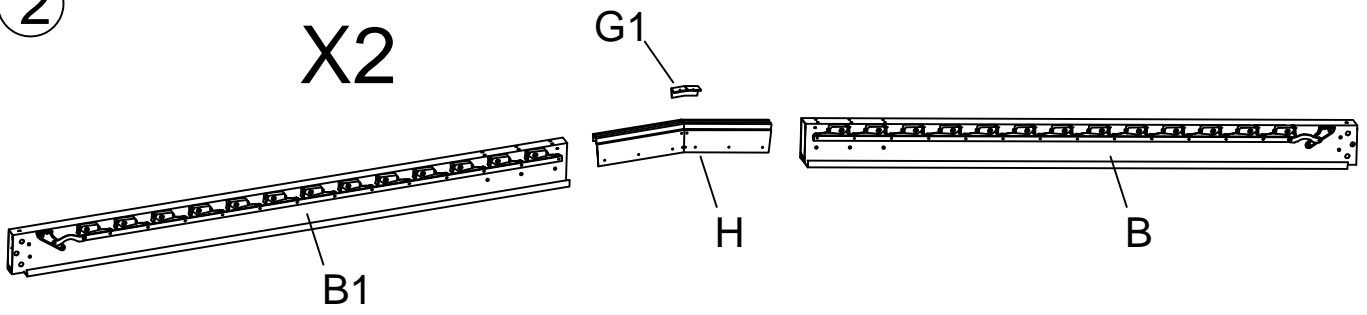
| PART NO | DESCRIPTION | QTY | PART NAME |
|---------|--|-----|-----------|
| Y |  | 4 | |
| Z |  | 4 | |
| Y1 |  | 2 | |
| Z1 |  | 2 | |

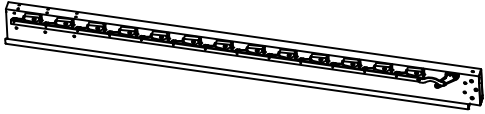
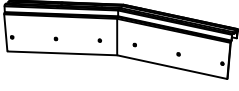
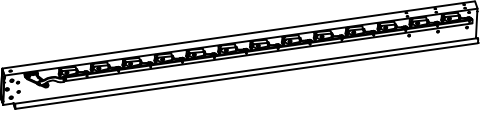
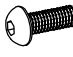
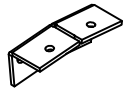
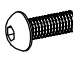


| | | | | | |
|----|---|---|----|----|---|
| A | 4 |  | O | 6 |  |
| A1 | 2 |  | AA | 24 |  M6*15 |
| S | 6 |  | | | |

2

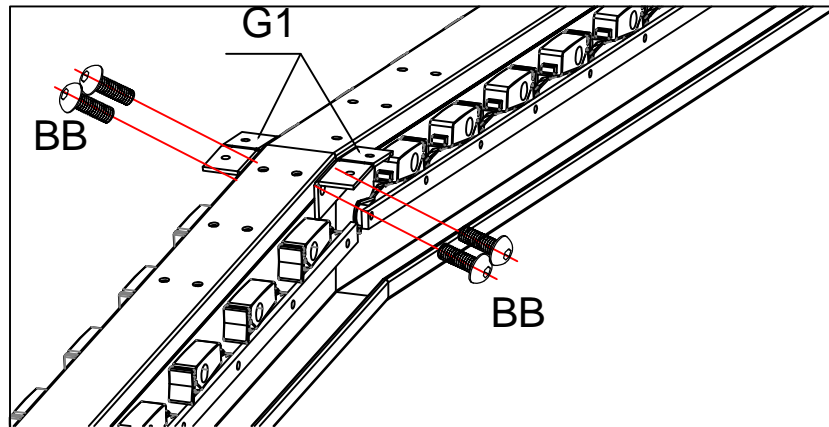
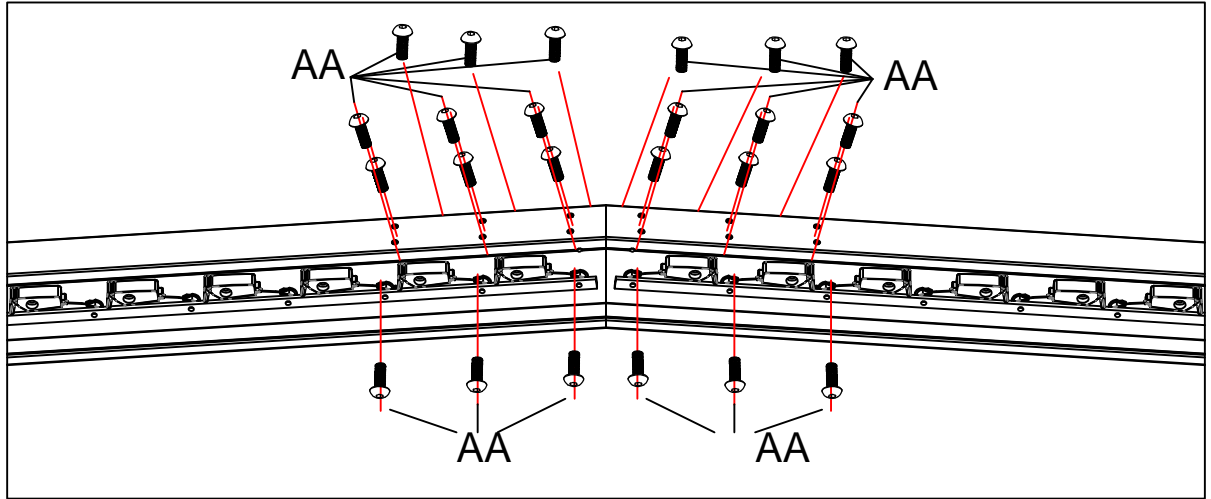
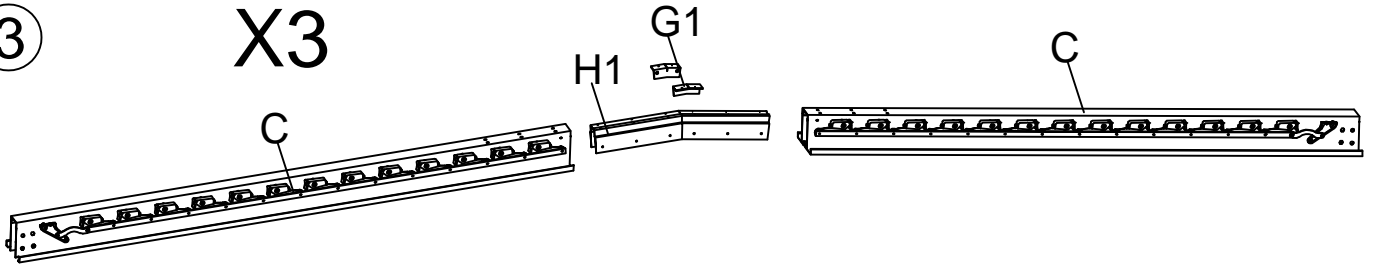
X2



| | | | | | |
|----|---|---|----|----|---|
| B | 2 |  | H | 2 |  |
| B1 | 2 |  | AA | 36 |  M6*15 |
| G1 | 2 |  | BB | 4 |  M6*10 |

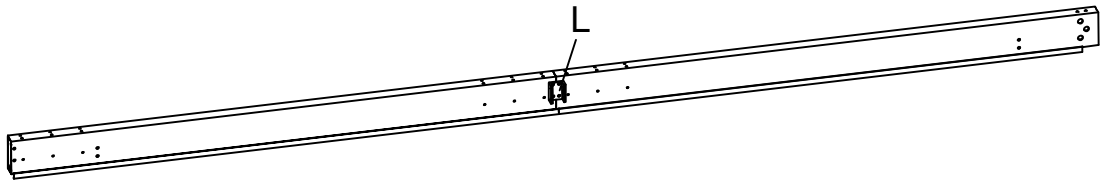
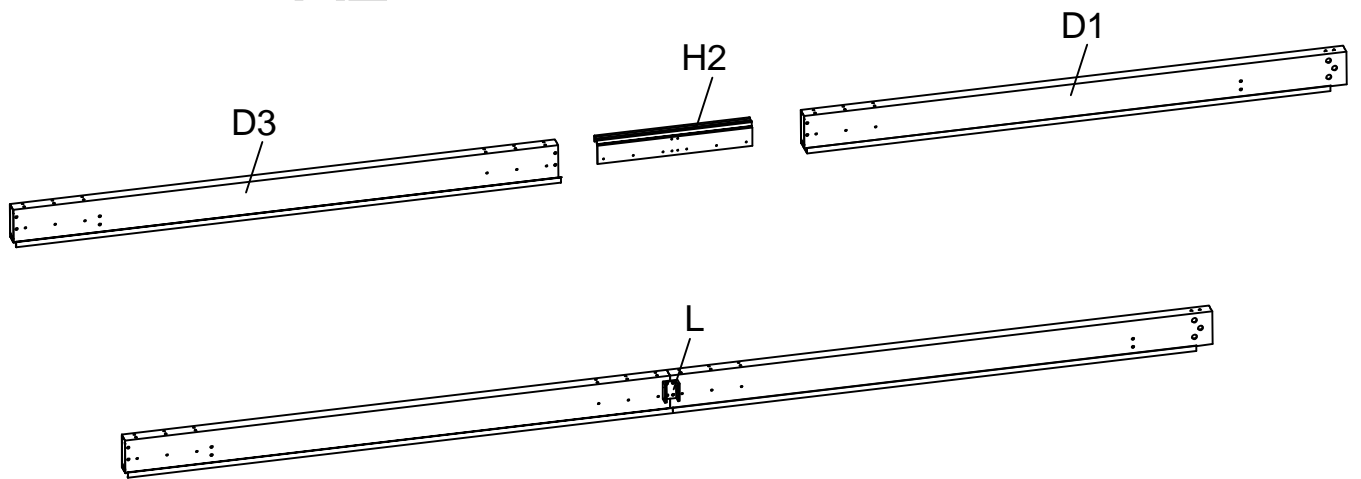
3

X3

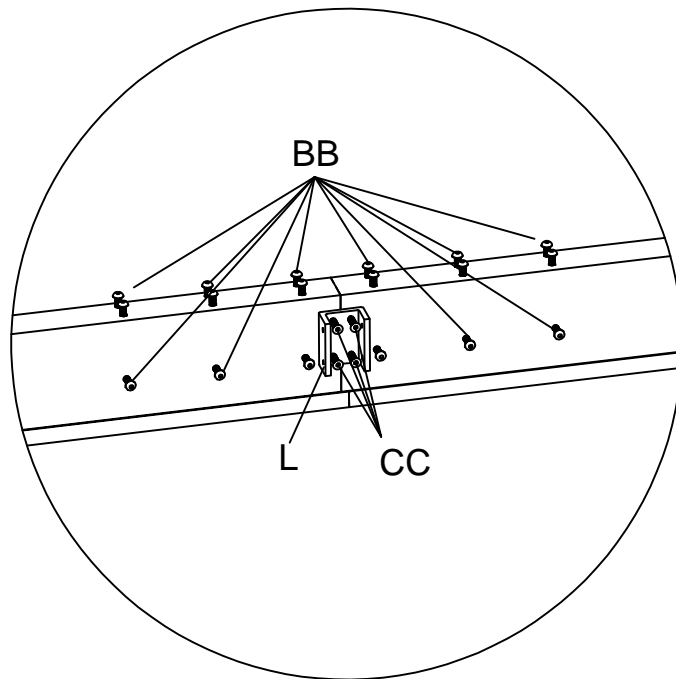


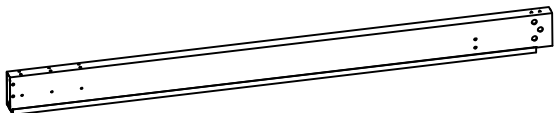
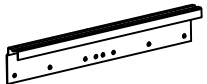
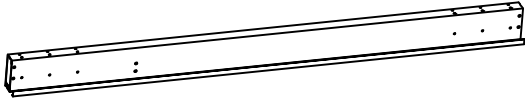
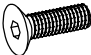
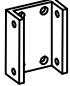

| | | | | | |
|----|---|--|----|----|--|
| C | 6 | | AA | 72 | |
| G1 | 6 | | BB | 12 | |
| H1 | 3 | | | | |

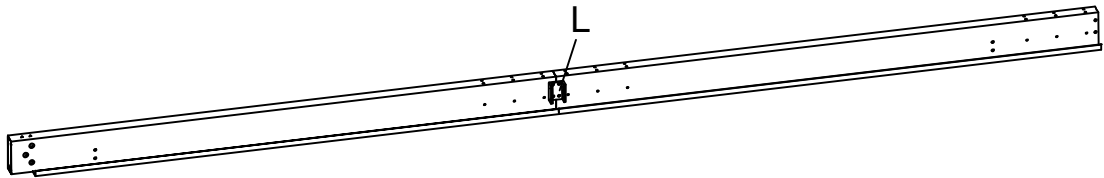
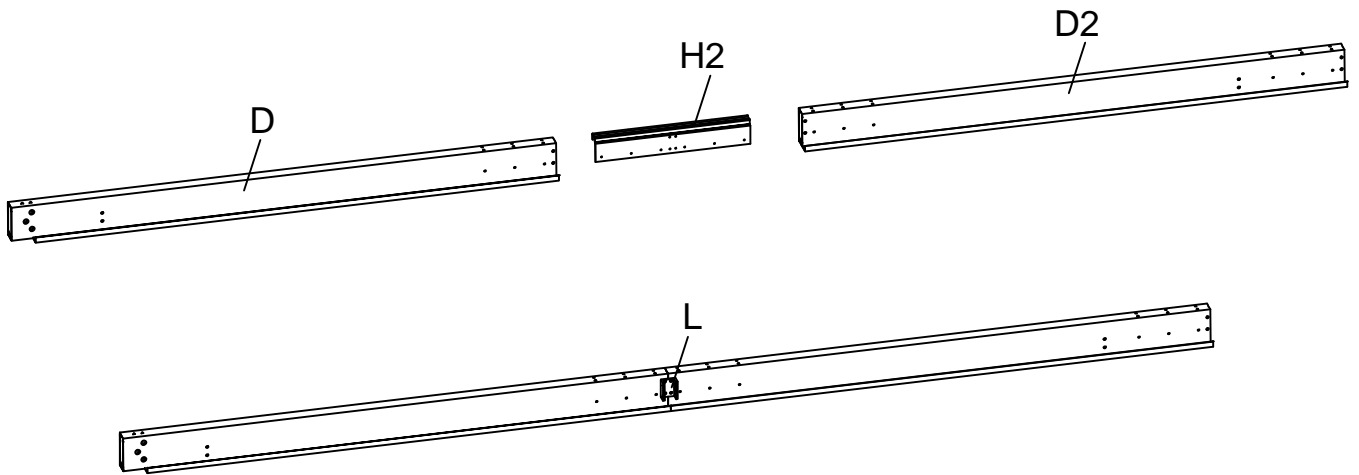
X2



4

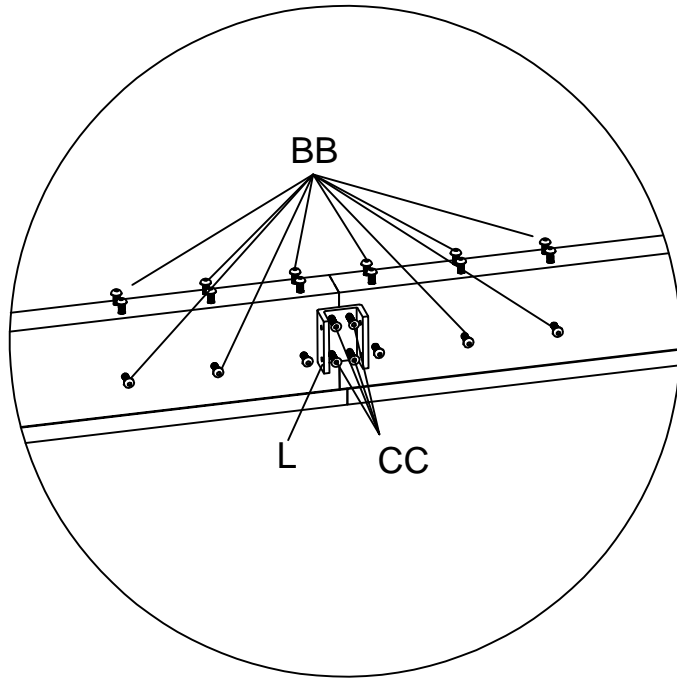


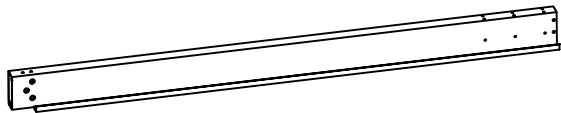
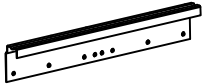
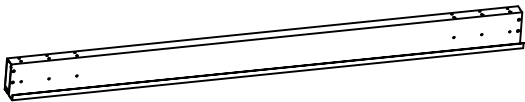
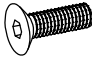


| | | | | | |
|----|---|---|----|----|---|
| D1 | 2 |  | H2 | 2 |  |
| D3 | 2 |  | CC | 8 |  M6*15 |
| L | 2 |  | BB | 36 |  M6*10 |

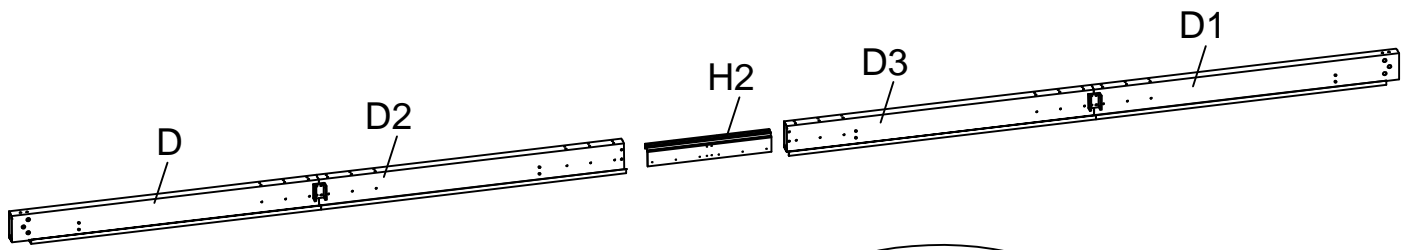


X2

5

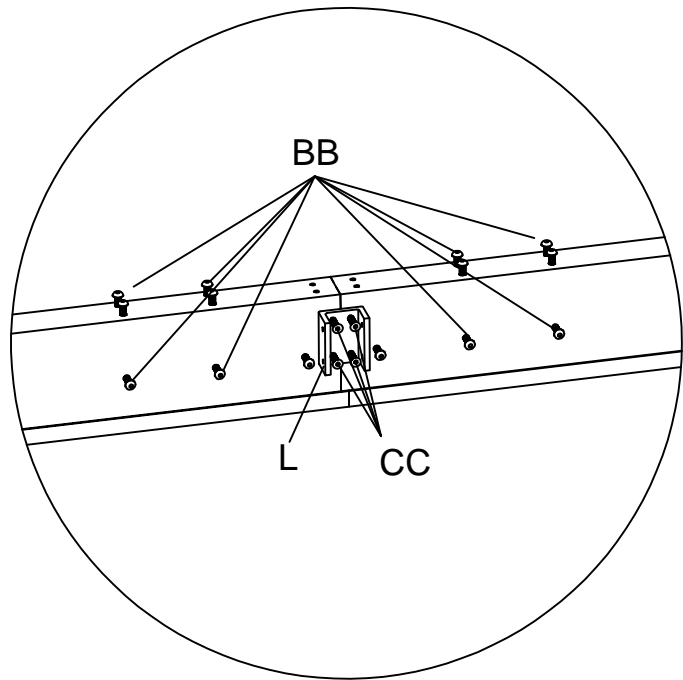


| | | | | | |
|----|---|---|----|----|---|
| D | 2 |  | H2 | 2 |  |
| D2 | 2 |  | CC | 8 |  M6*15 |
| L | 2 |  | BB | 36 |  M6*10 |



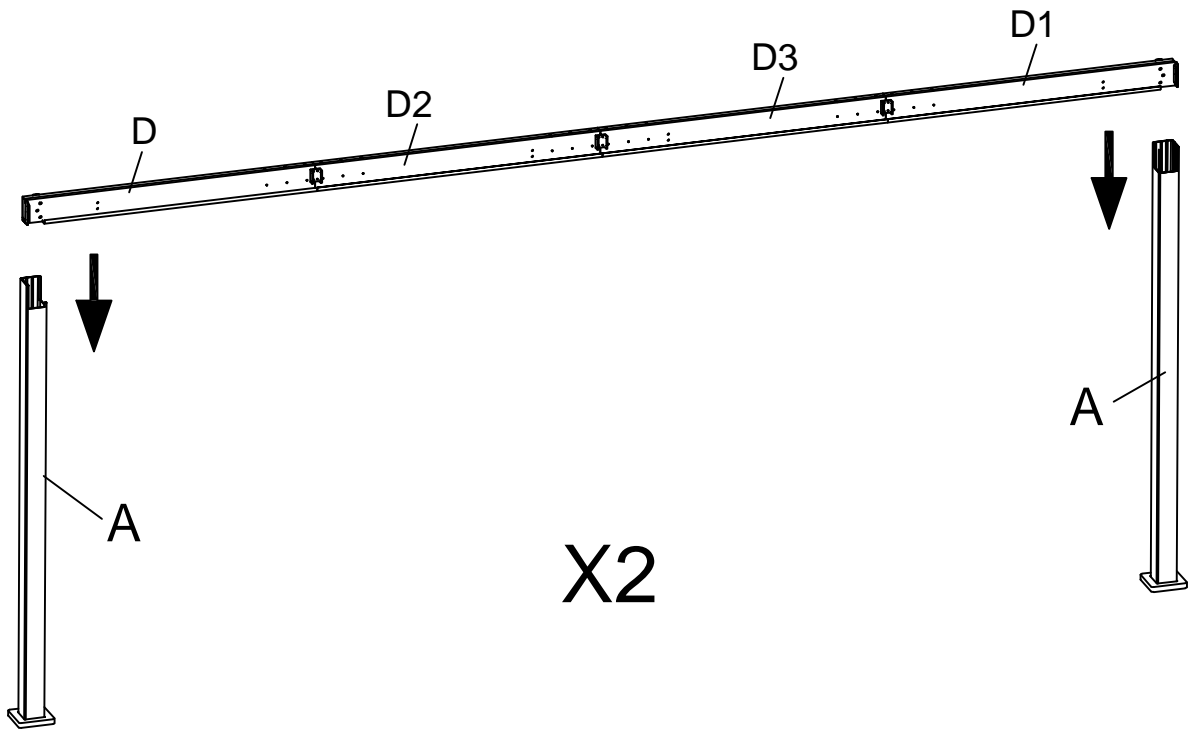
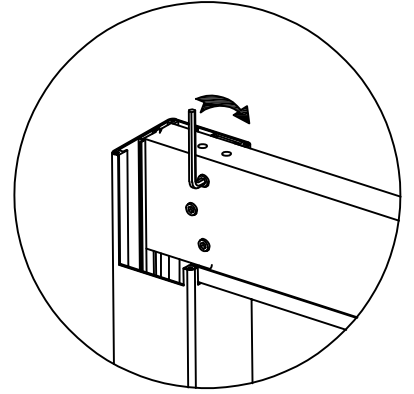
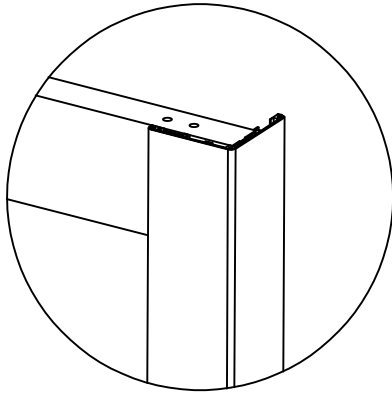
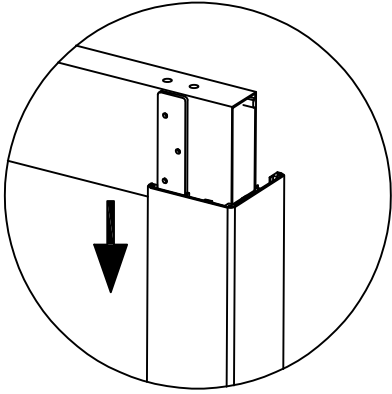
X2

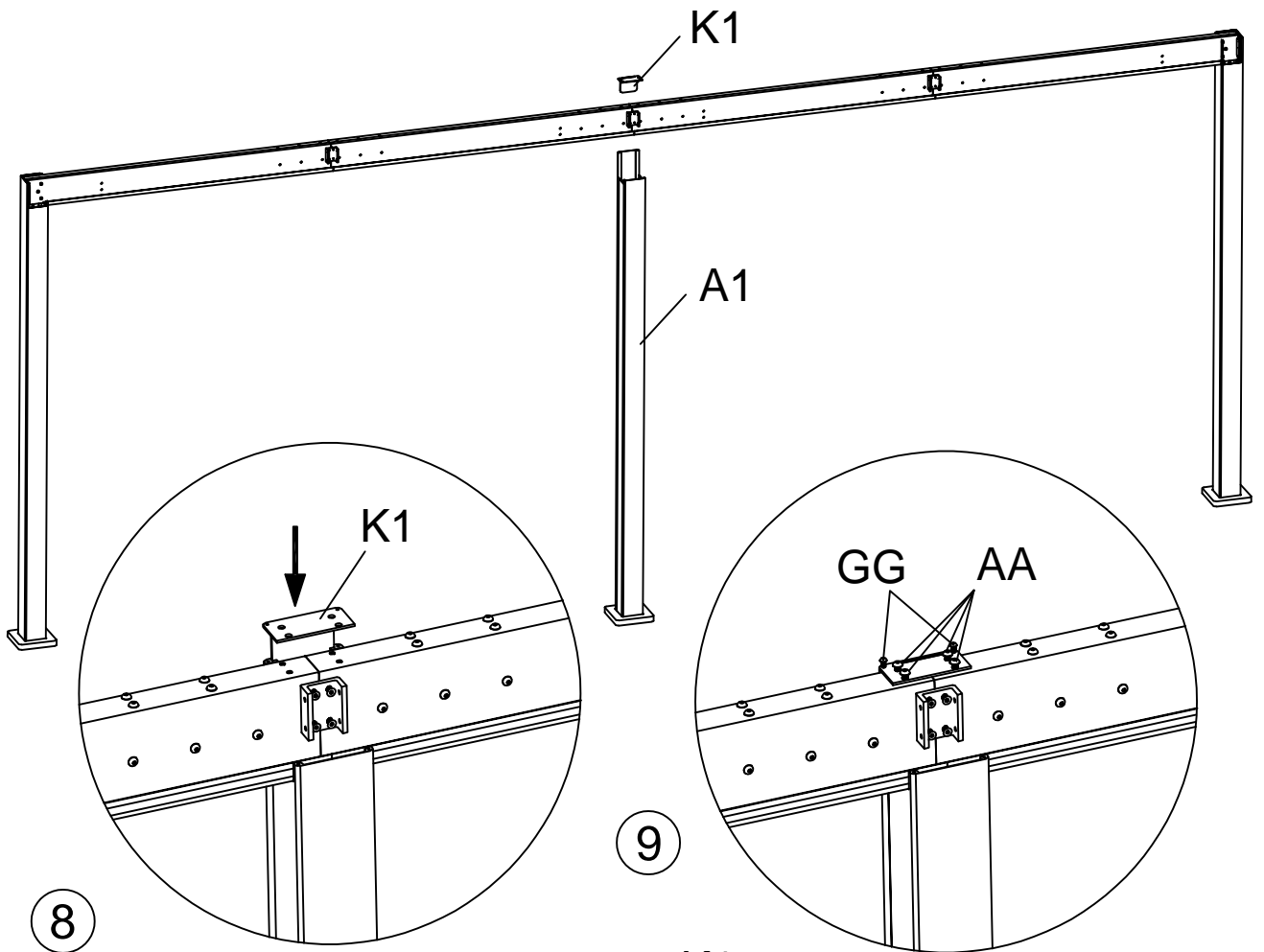
6



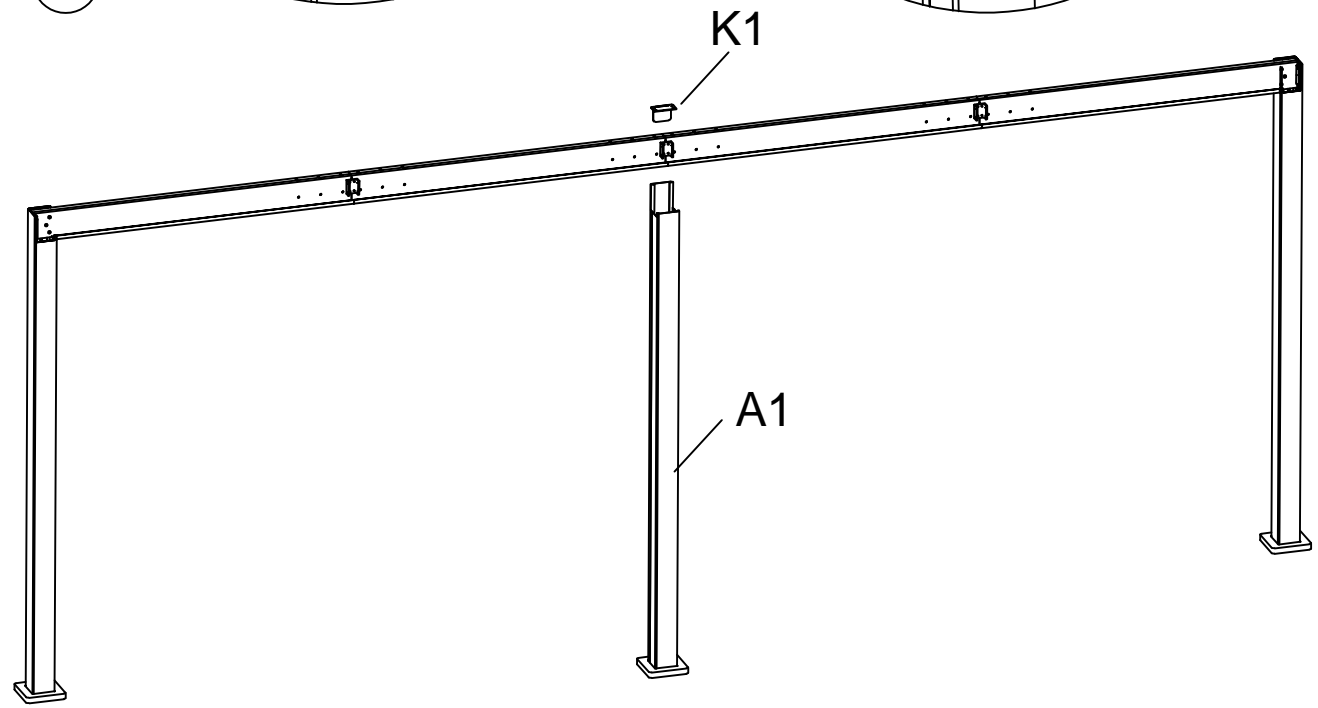
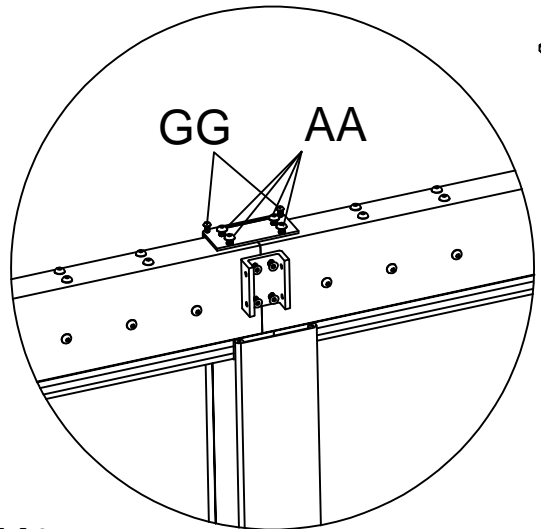
| | | | | | |
|----|---|-------|----|----|-------|
| D | 2 | | D1 | 2 | |
| D2 | 2 | | D3 | 2 | |
| L | 2 | | H2 | 2 | |
| CC | 8 | | BB | 28 | |
| | | M6*15 | | | M6*10 |

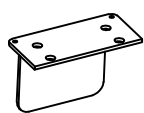
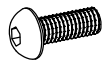
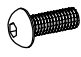
7



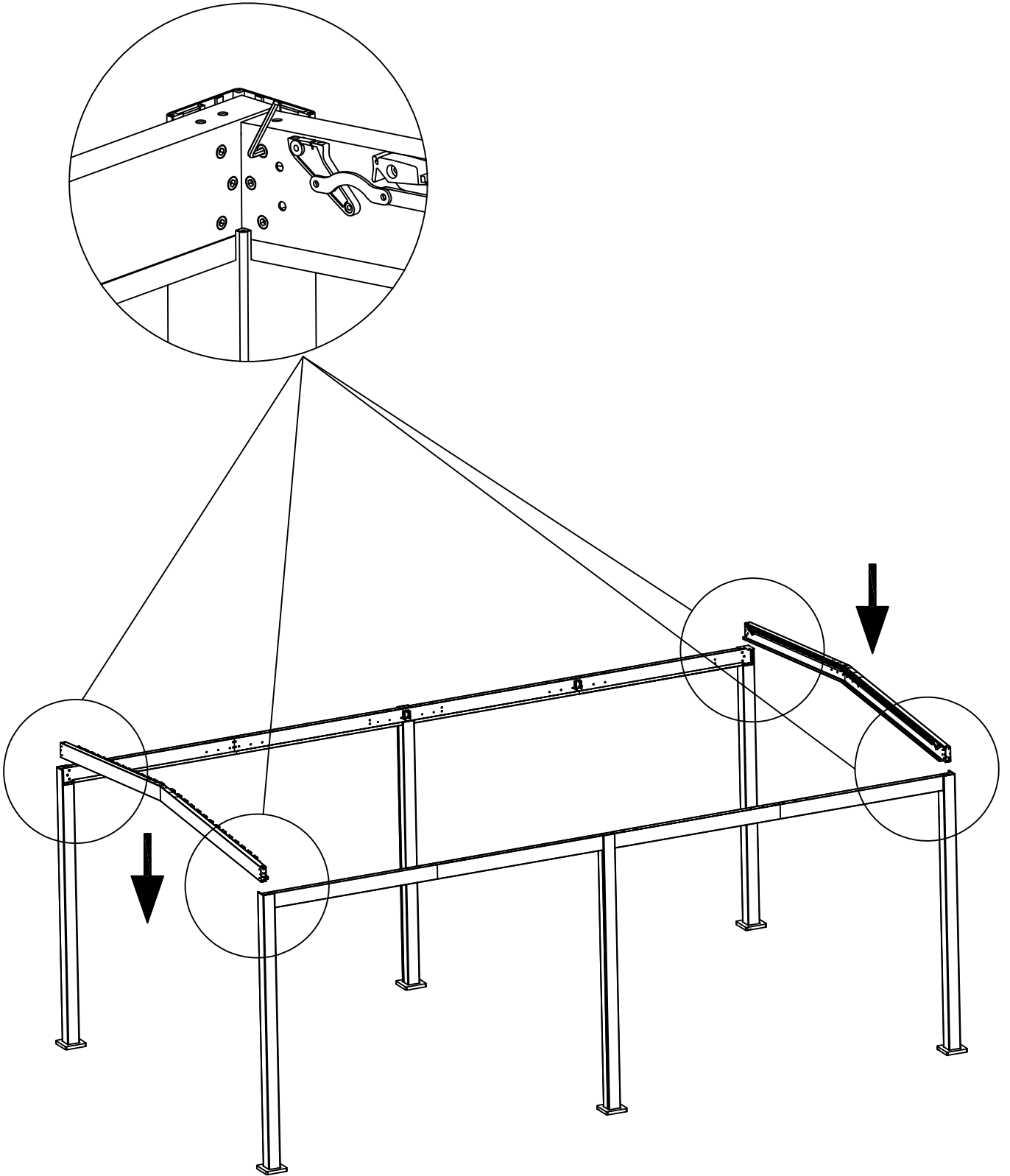


9

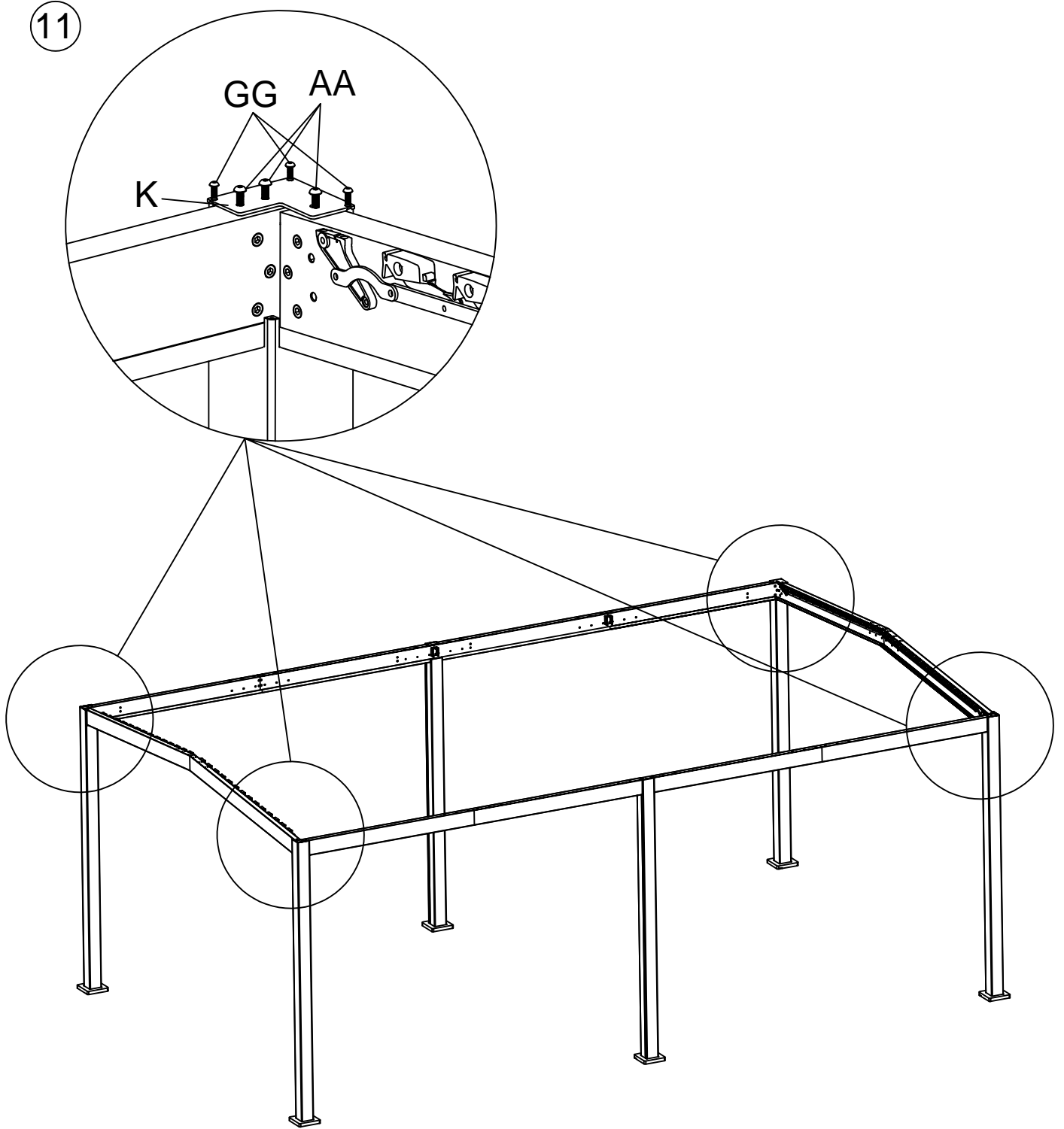


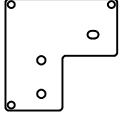


| | | | | | |
|----|---|---|----|---|---|
| K1 | 2 |  | AA | 8 |  M6*15 |
| GG | 4 |  M5*12 | | | |

10

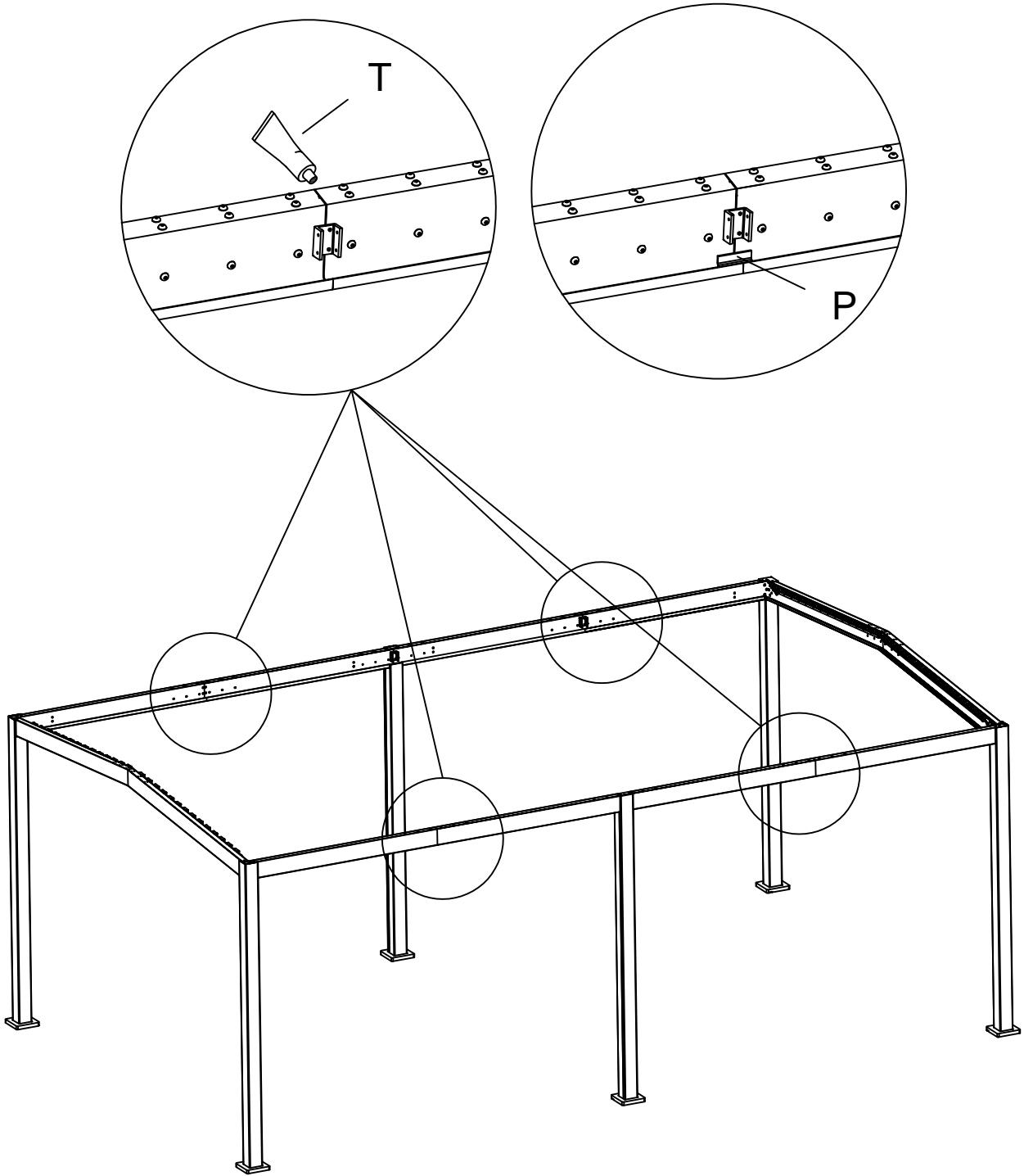



11



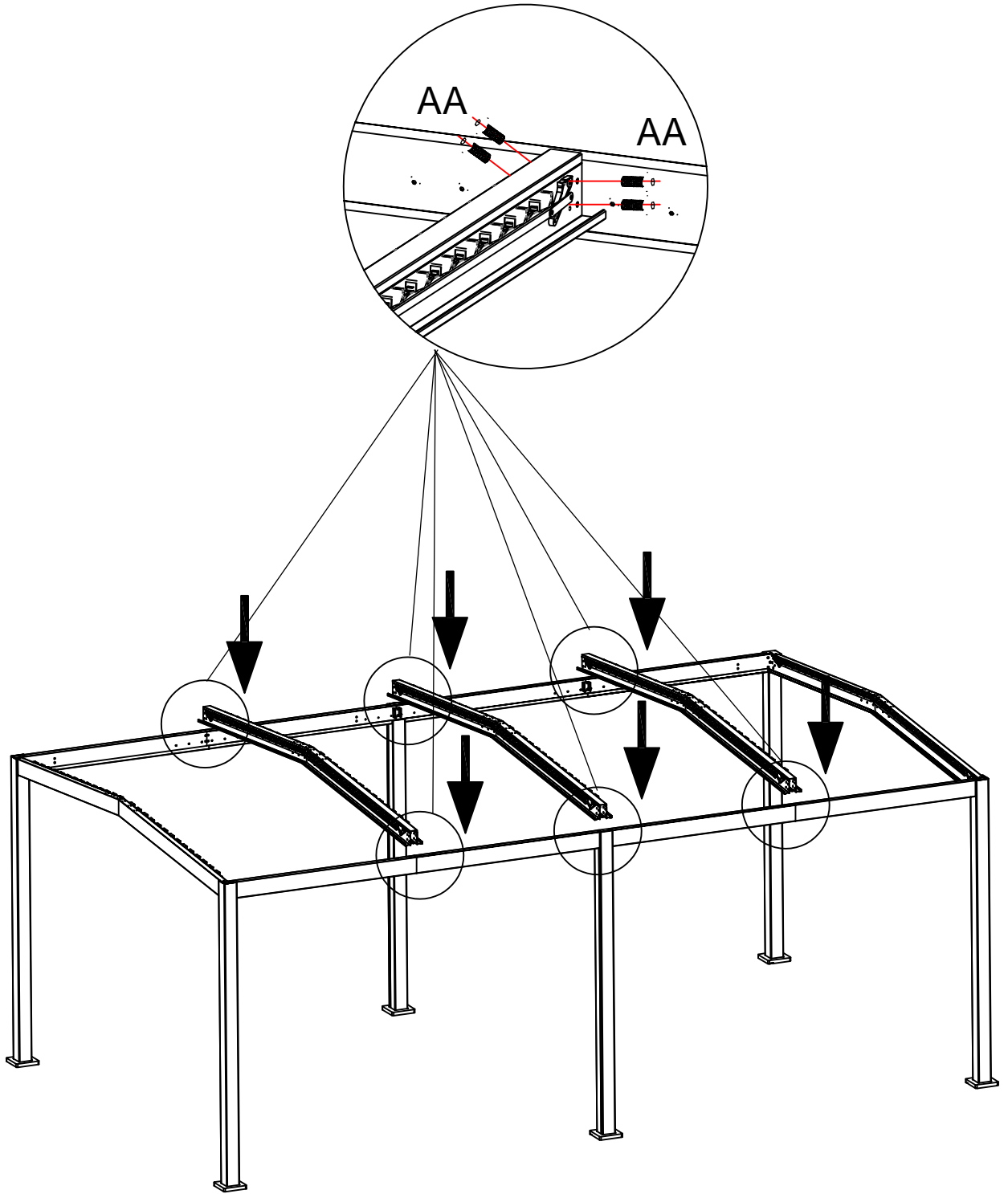
| | | | | | |
|----|----|---|----|----|---|
| K | 4 |  | AA | 12 |  M6*15 |
| GG | 12 |  M5*12 | | | |

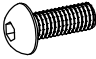
12



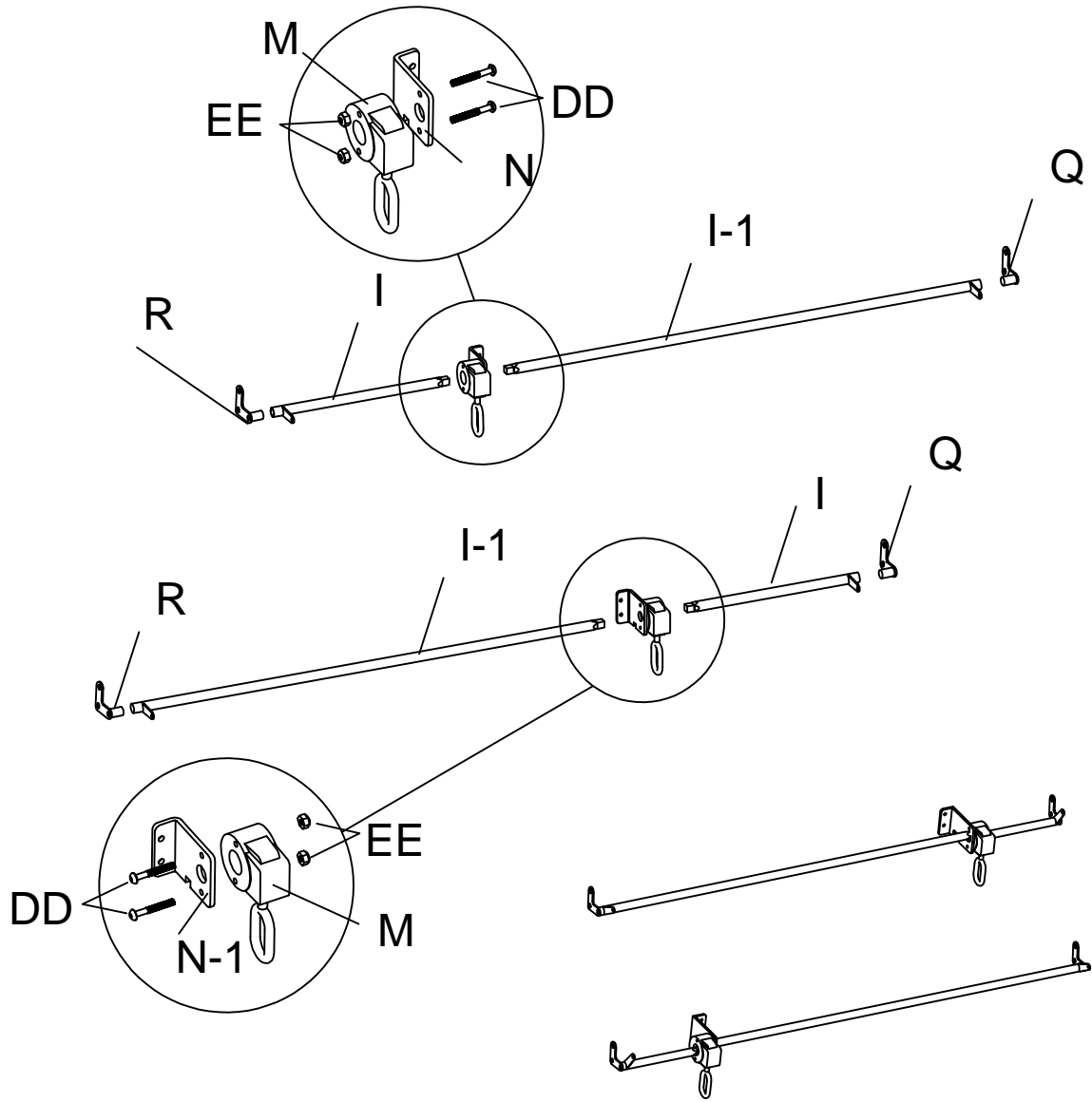
| | | | | | |
|---|---|---|---|---|---|
| P | 4 |  | T | 2 |  |
|---|---|---|---|---|---|

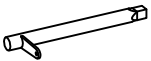

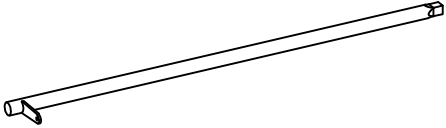
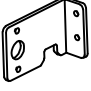

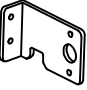



13



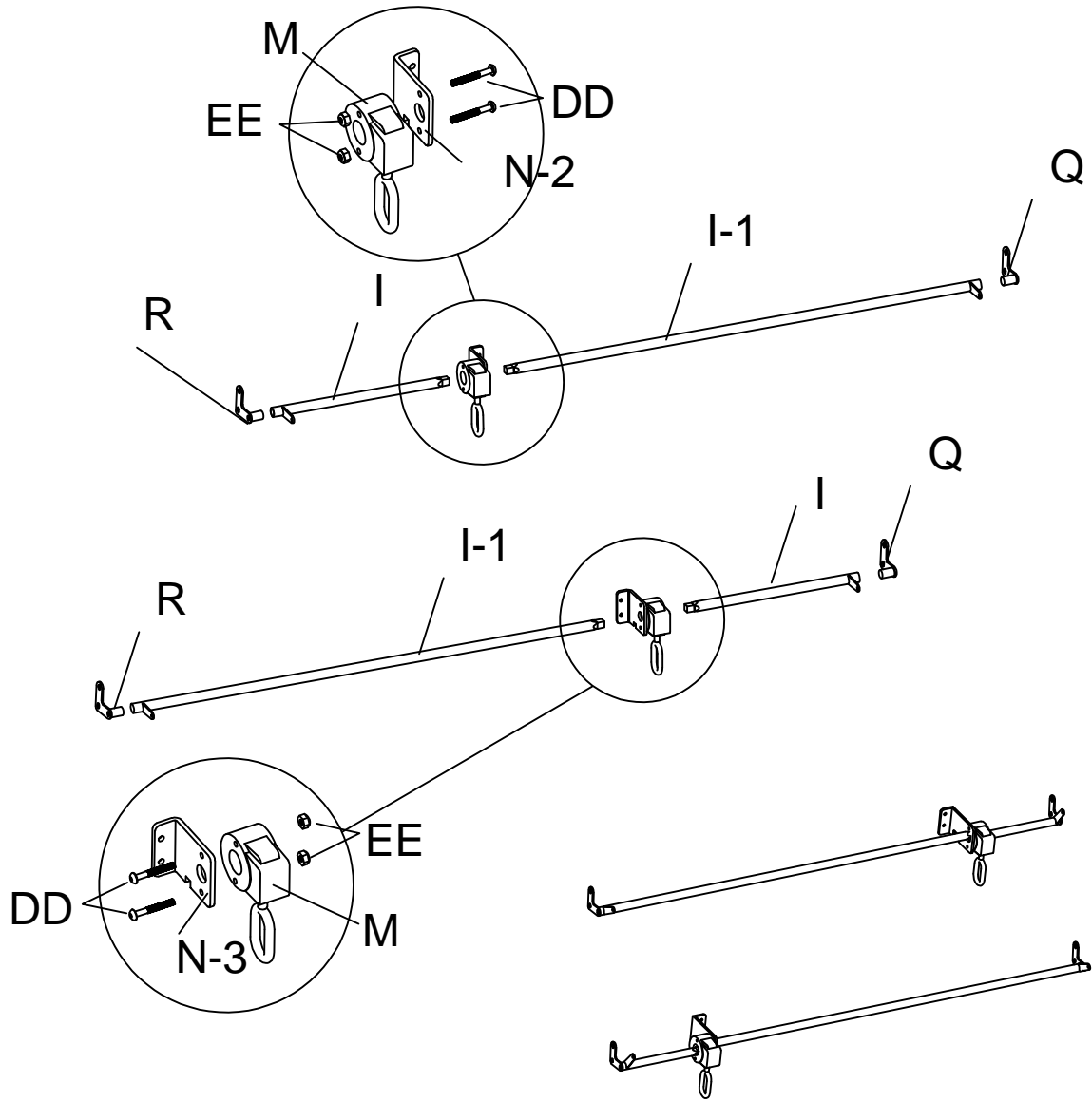
| | | |
|----|----|---|
| AA | 24 |  M6*15 |
|----|----|---|

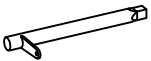

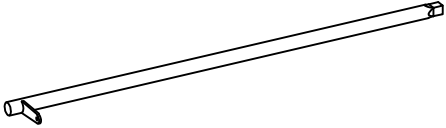






14



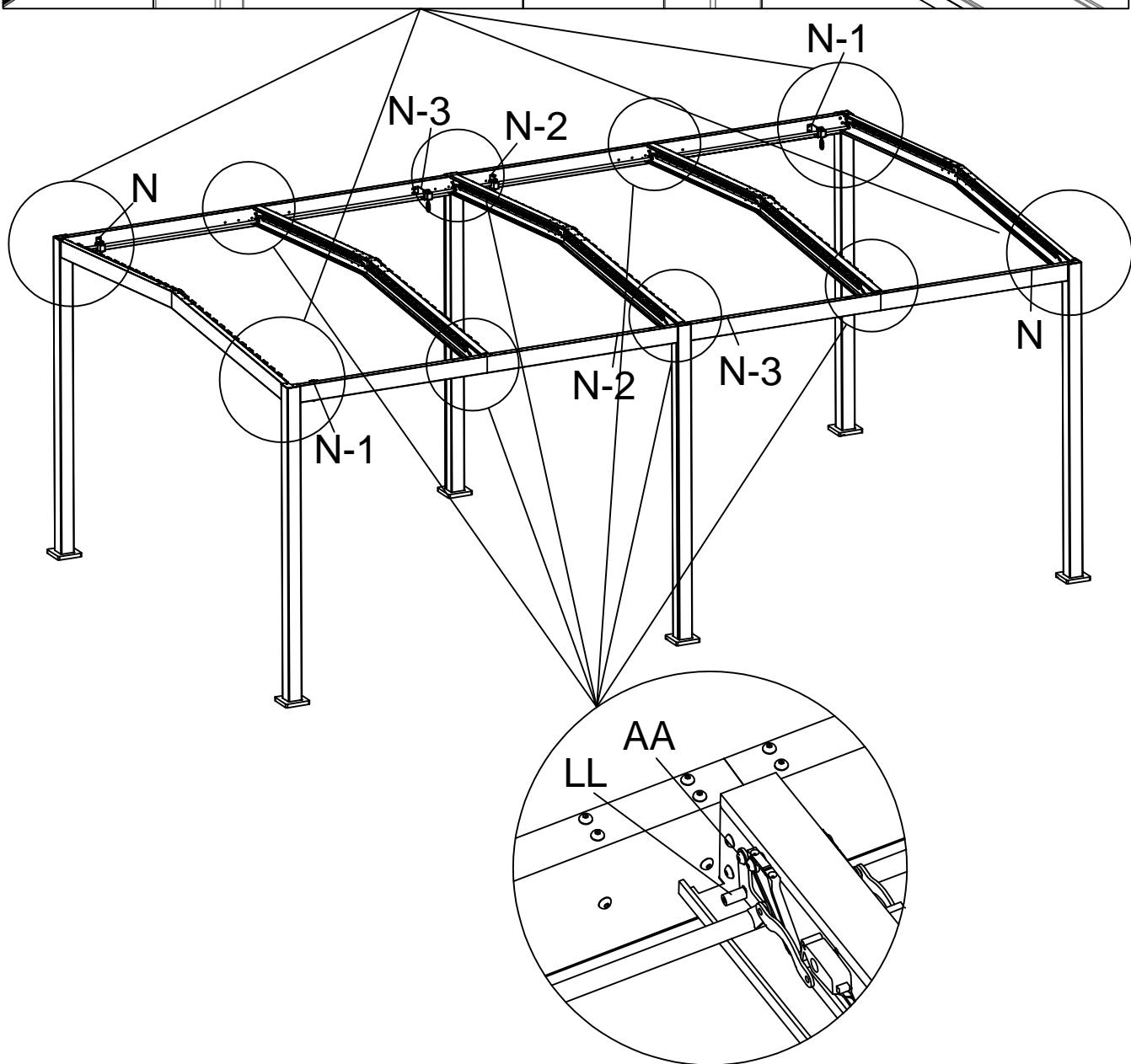
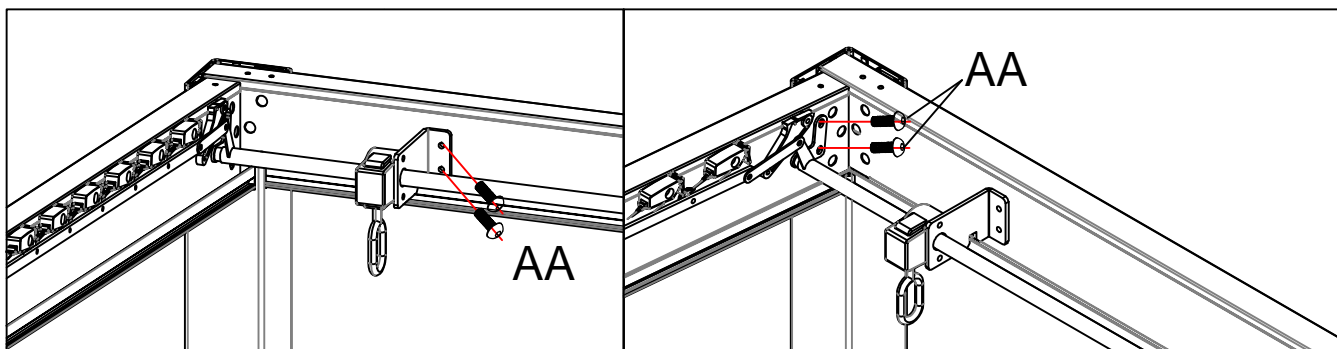
| | | | | | |
|-----|---|--|-----|---|---|
| I | 4 |  | M | 4 |  |
| I-1 | 4 |  | N | 2 |  |
| Q | 4 |  | N-1 | 2 |  |
| R | 4 |  | DD | 8 |  M6*40 |
| EE | 8 |  M6 | | | |


15



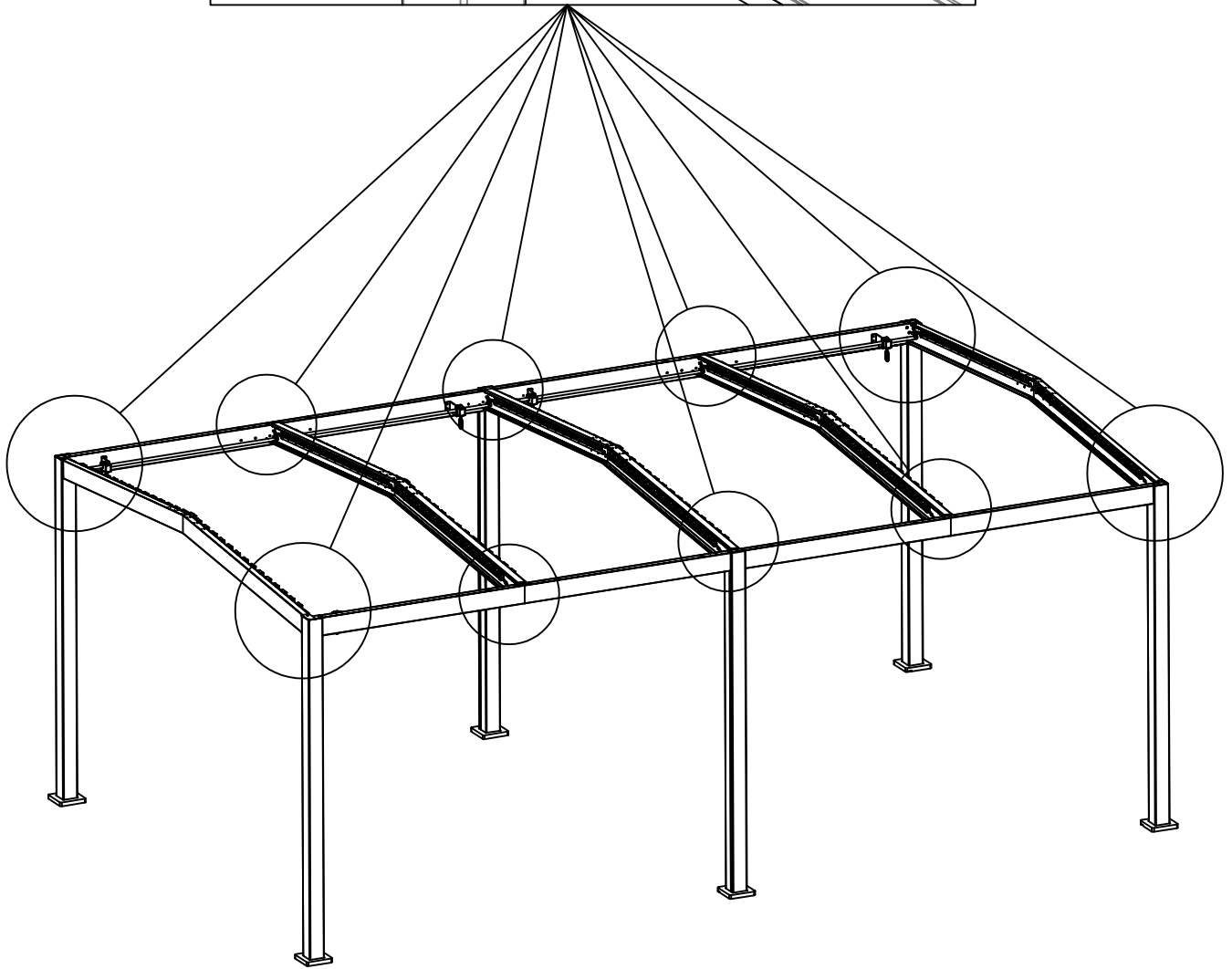
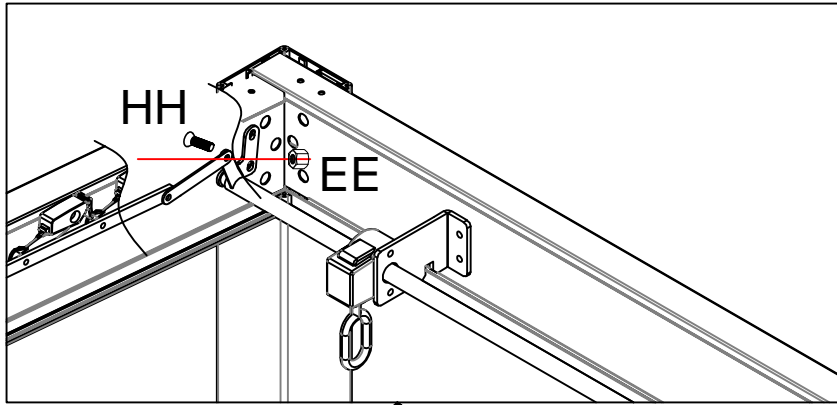
| | | | | | |
|-----|---|--|-----|---|---|
| I | 4 |  | M | 4 |  |
| I-1 | 4 |  | N-2 | 2 |  |
| Q | 4 |  | N-3 | 2 |  |
| R | 4 |  | DD | 8 |  M6*40 |
| EE | 8 |  M6 | | | |

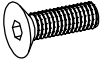

16



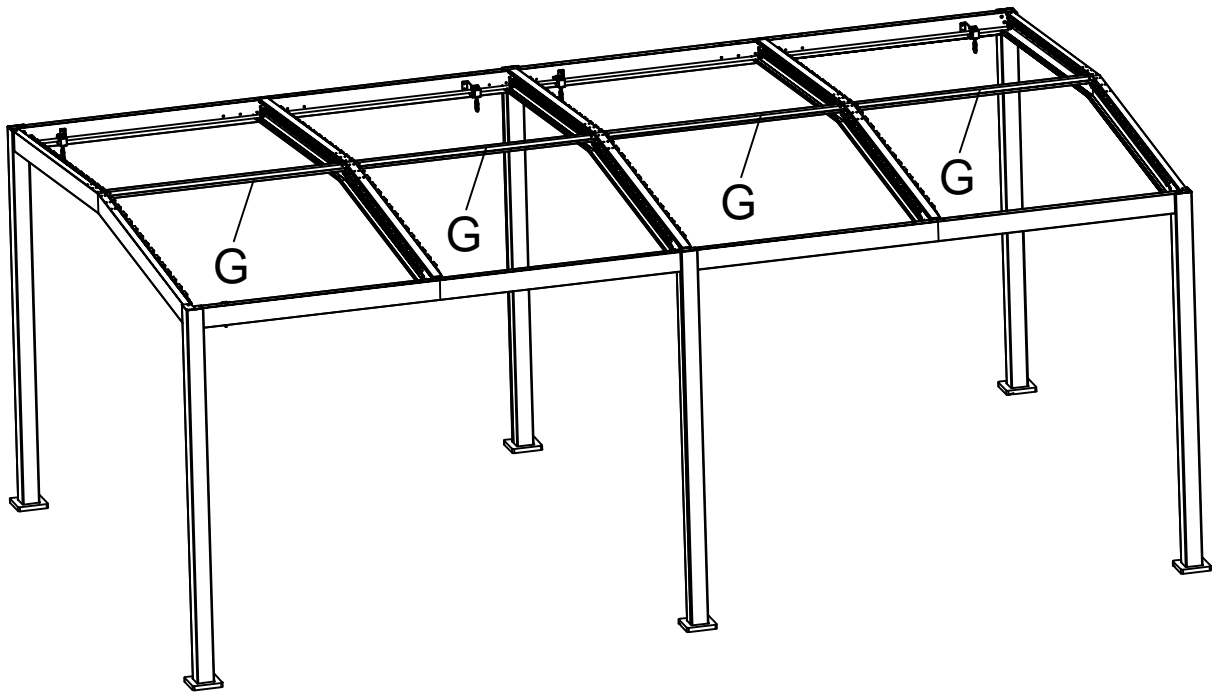
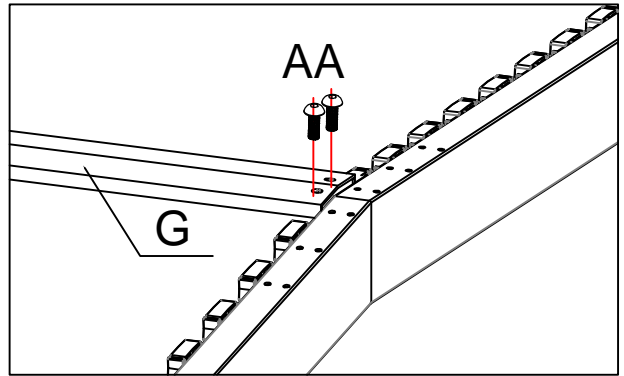
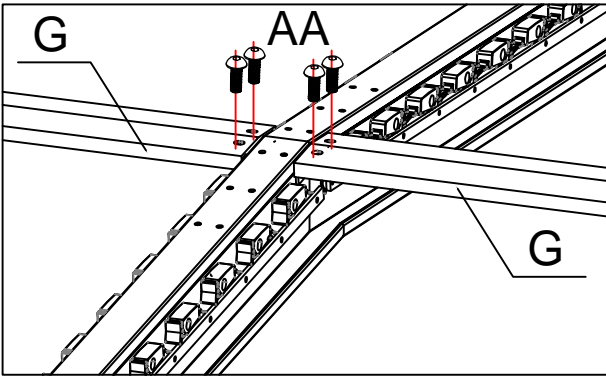
| | | |
|----|----|---|
| AA | 48 |  M6*15 |
|----|----|---|

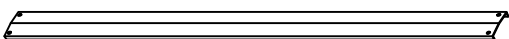
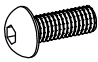
17



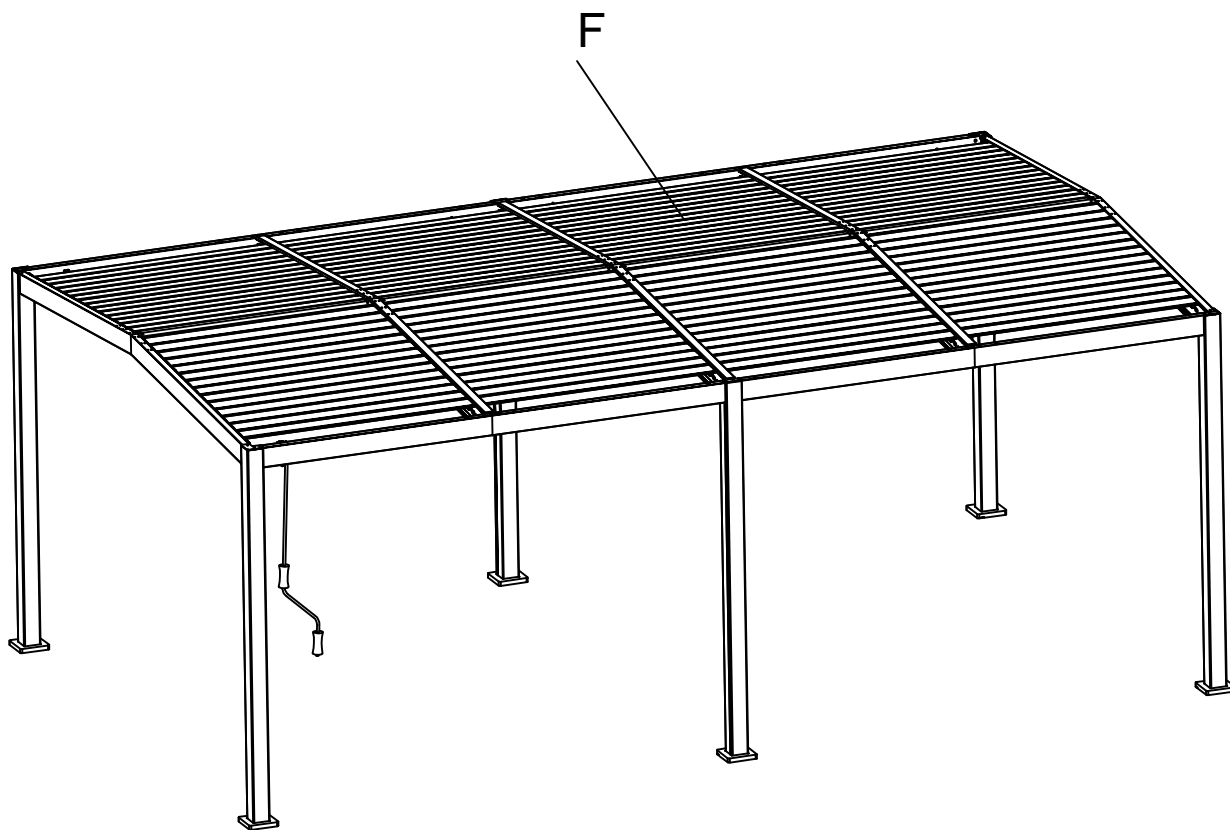
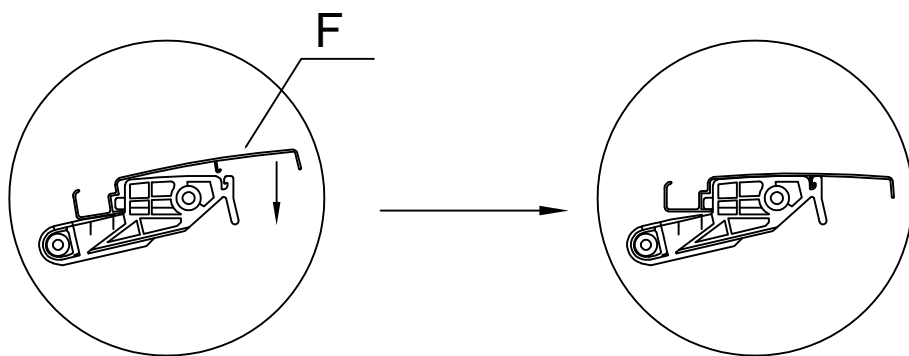
| | | | | | |
|----|----|---|----|----|--|
| HH | 16 |  M6*13 | EE | 16 |  M6 |
|----|----|---|----|----|--|

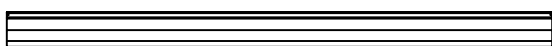
18



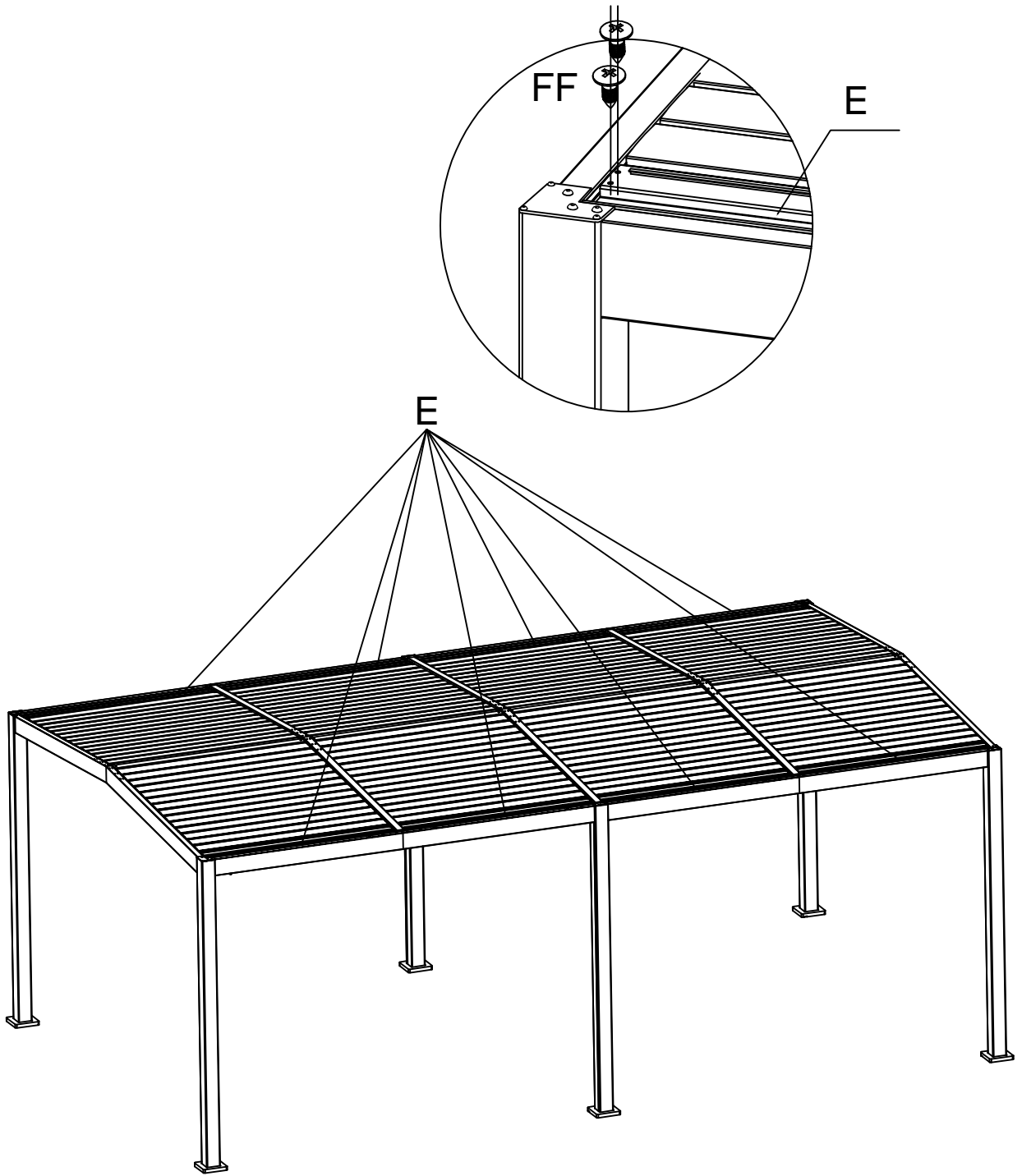
| | | | | | |
|---|---|---|----|----|---|
| G | 4 |  | AA | 16 |  M6*15 |
|---|---|---|----|----|---|


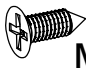
19



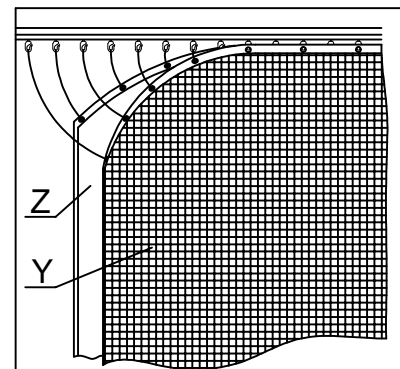
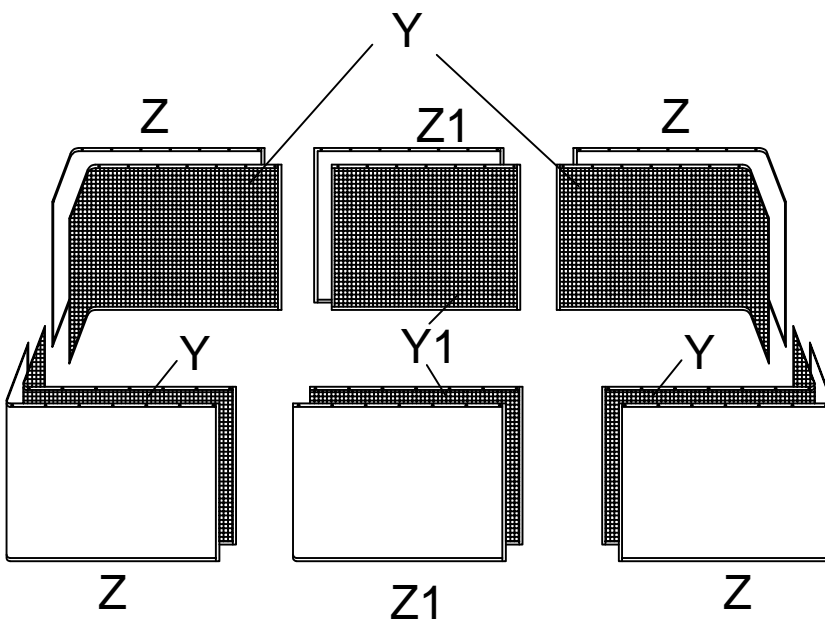
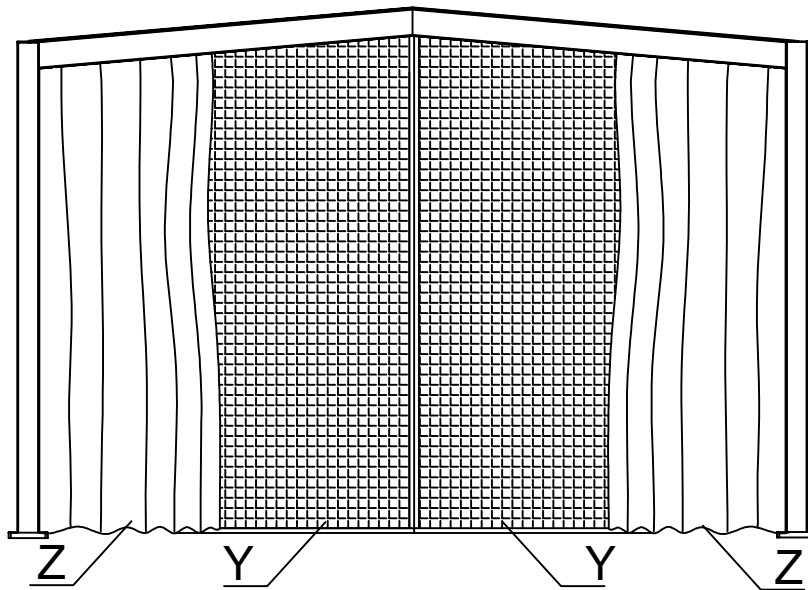
| | | |
|---|-----|---|
| F | 112 |  |
|---|-----|---|

20

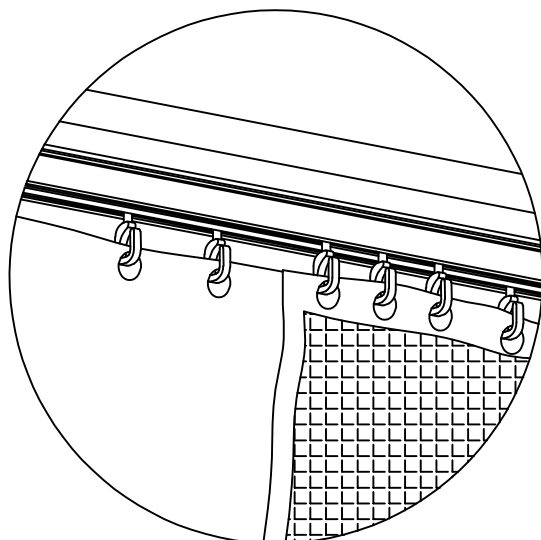
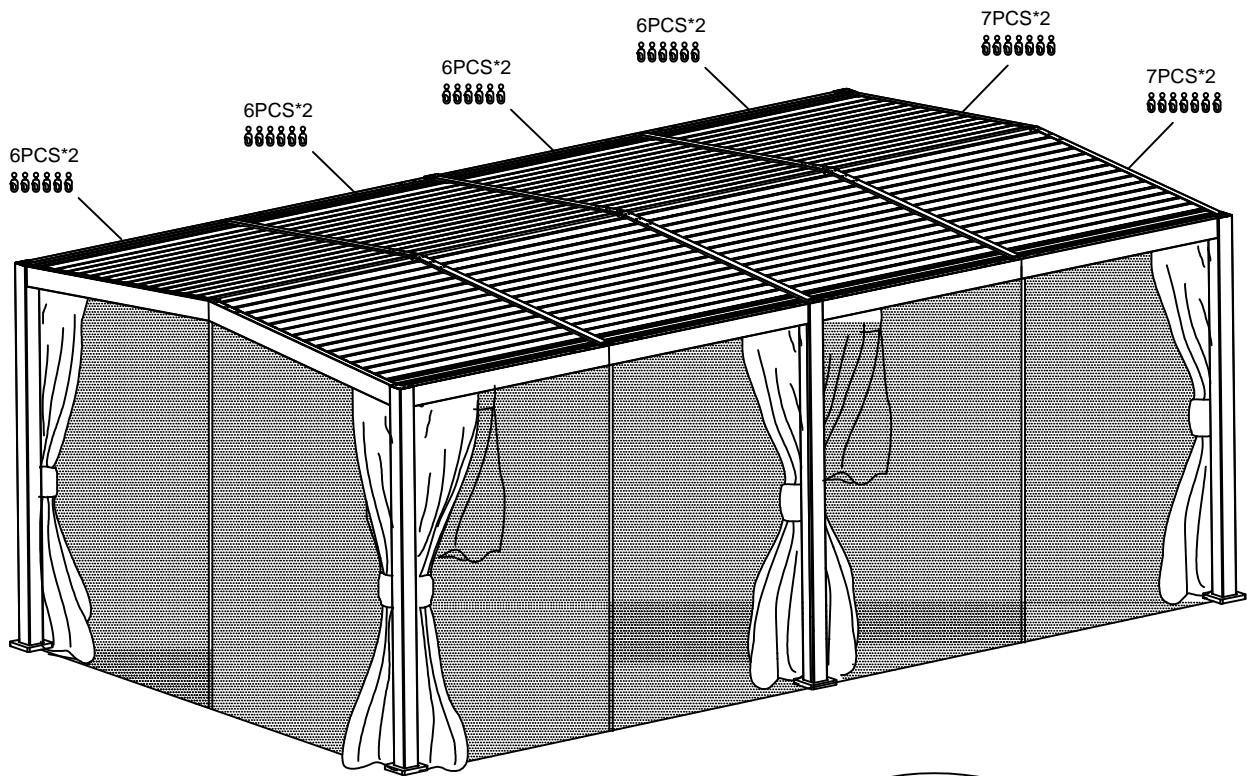


| | | | | | |
|---|---|---|----|----|---|
| E | 8 |  | FF | 32 |  M4*12 |
|---|---|---|----|----|---|

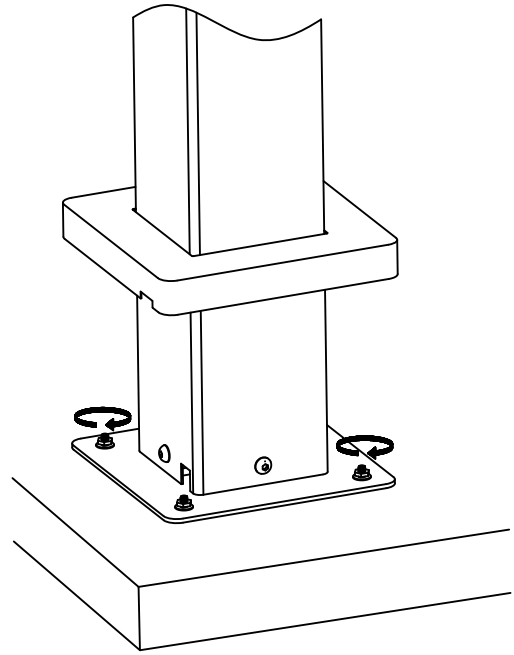
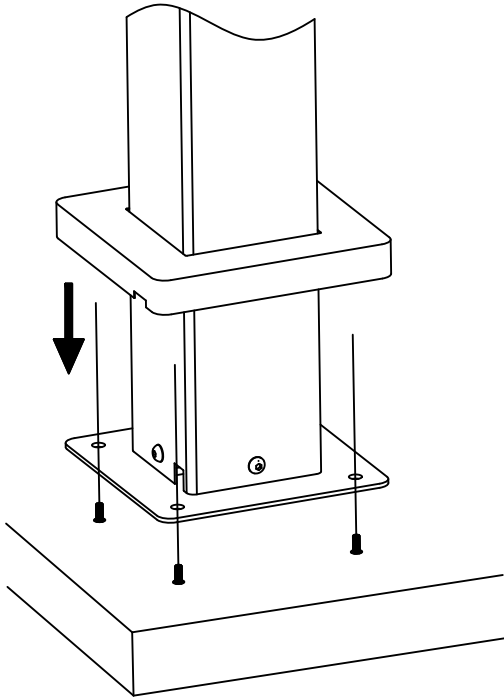
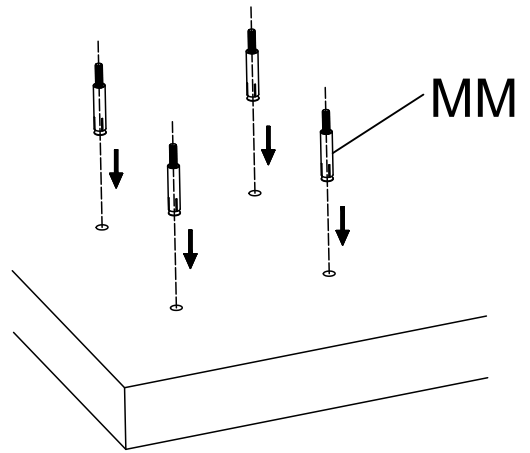
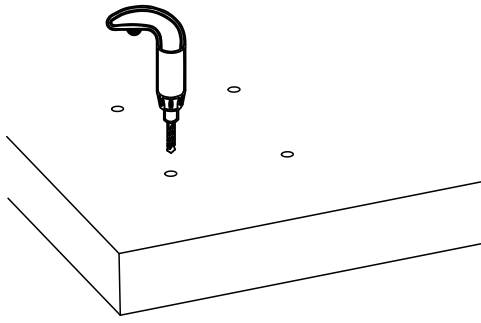
21

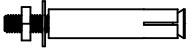


| | | | | | |
|----|---|--|----|---|--|
| Y | 4 | | Z | 4 | |
| Y1 | 2 | | Z1 | 2 | |



23



| | | | |
|----|----|---|-------|
| MM | 24 |  | M6*50 |
|----|----|---|-------|

