
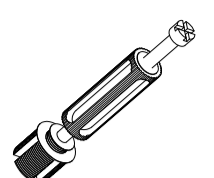

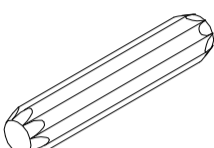



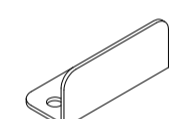
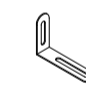


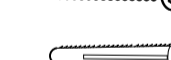
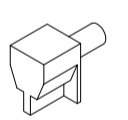
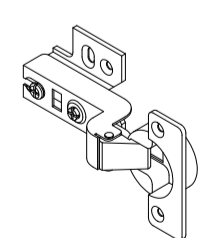
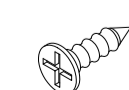
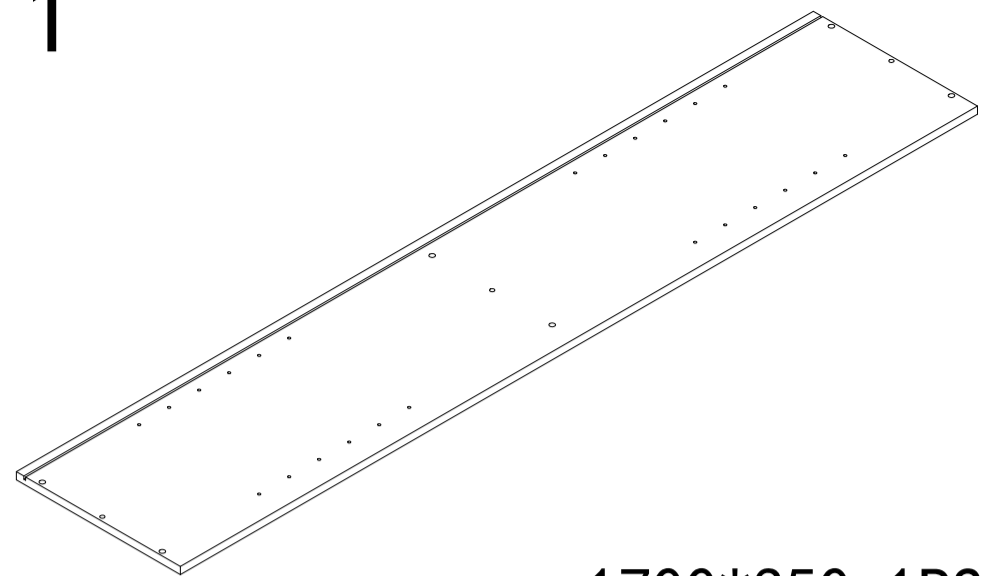


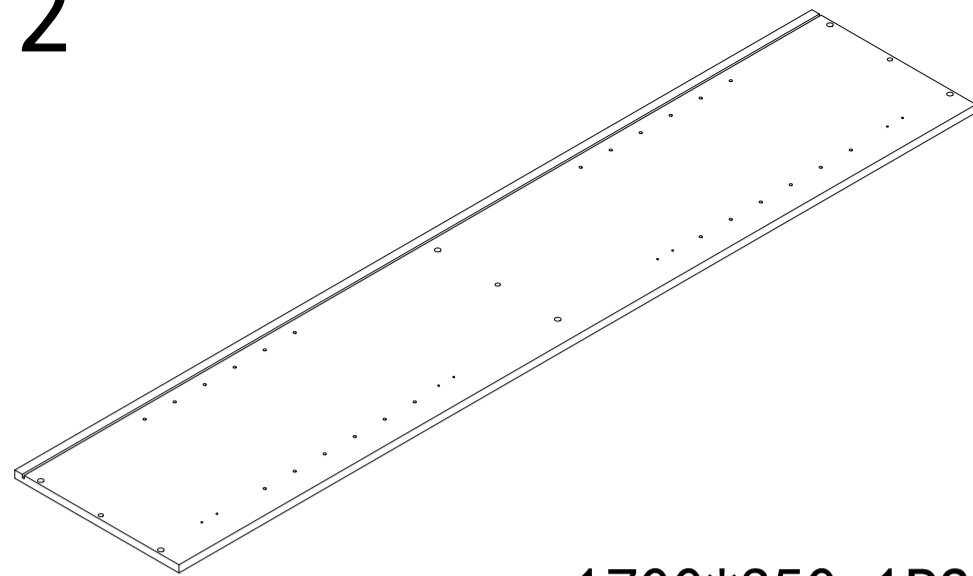
H  1PCS	A  12PCS
I  14PCS	B 8*40  6PCS
J 3*12  14PCS	C  12PCS
K 4*19  1PCS	D  2PCS
L  L1  L2  L3  L4 2PCS	E  16PCS
F  4PCS	
G 3.5*14  28PCS	

1



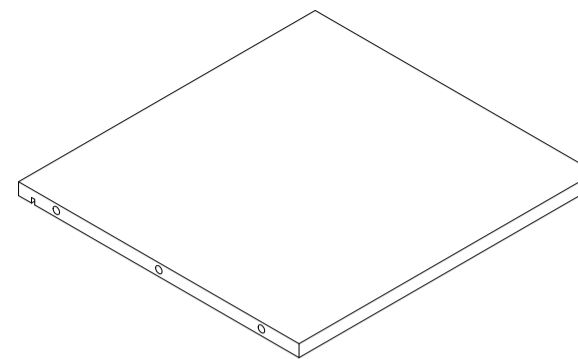
1700*350 1PS

2



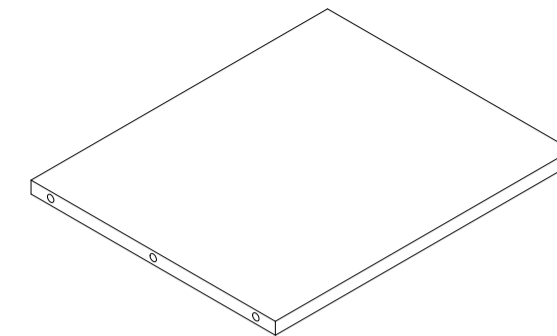
1700*350 1PS

3



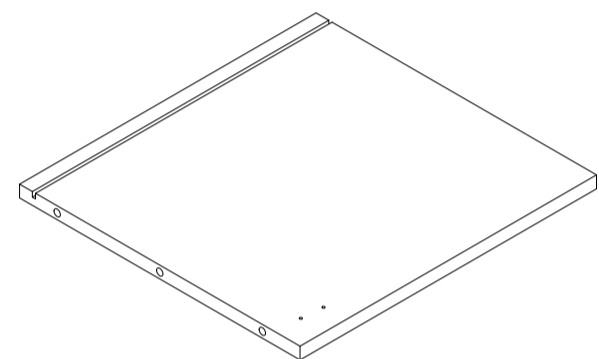
370*350 1PS

4



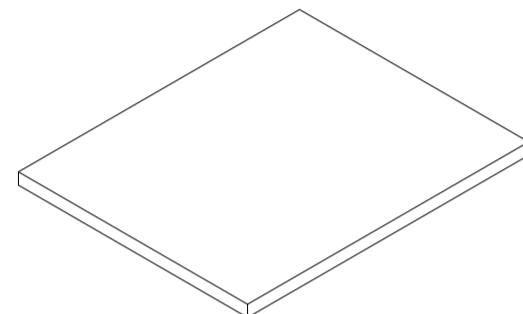
370*305 1PS

5



370*350 1PS

6



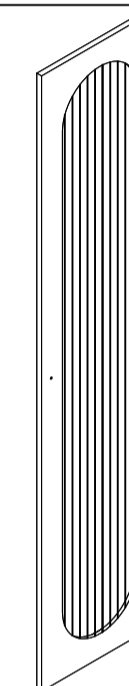
368*300 4PS

7



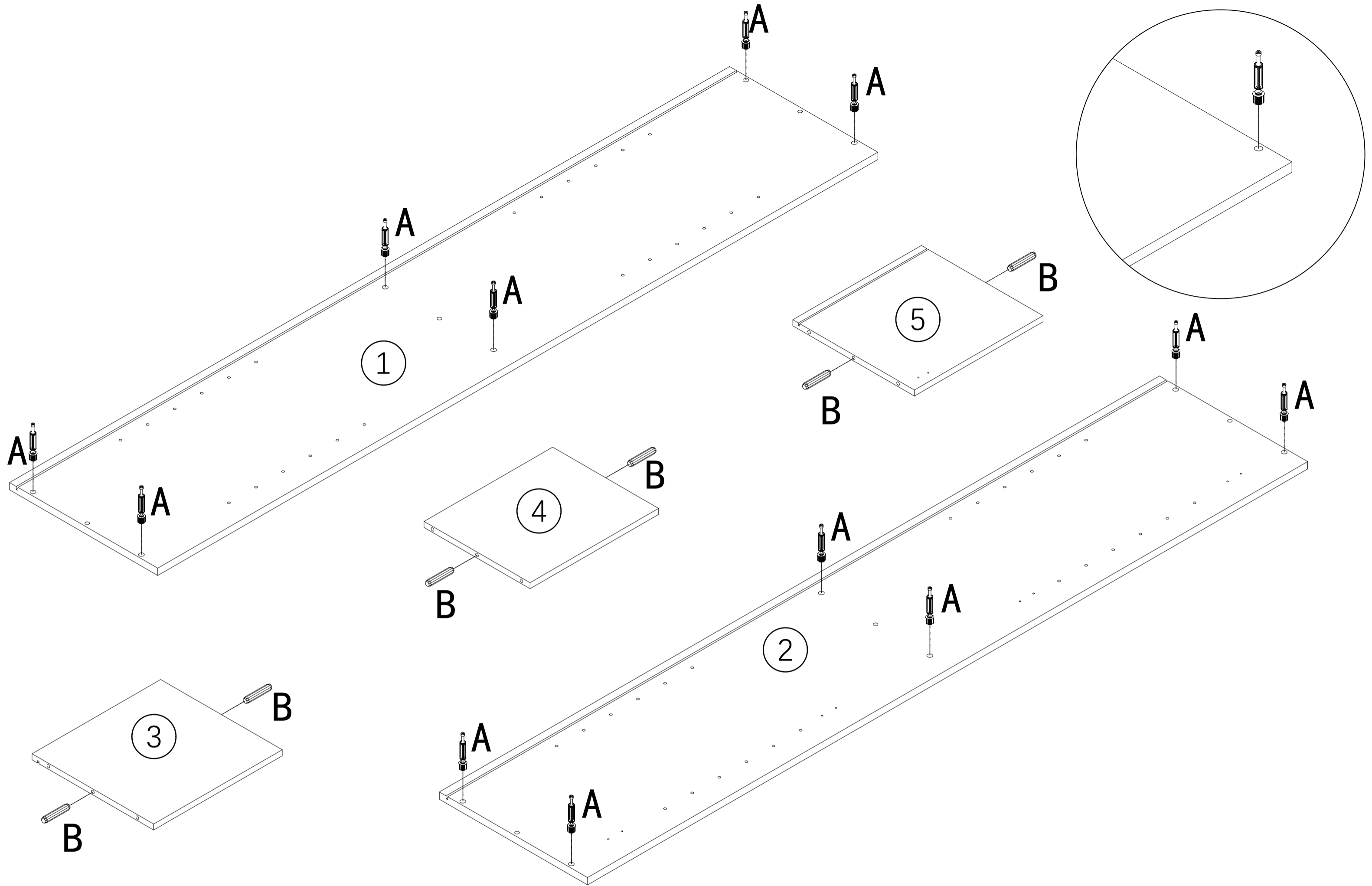
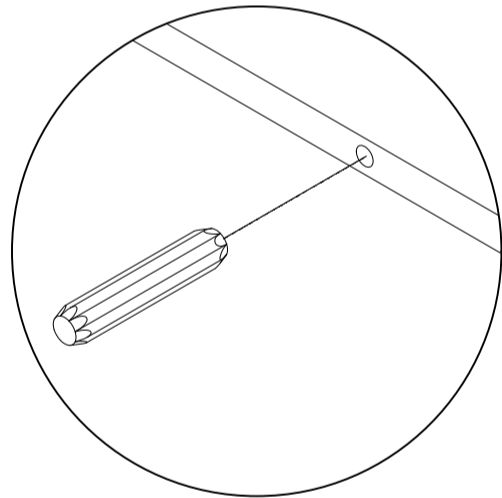
1678*190 2PS

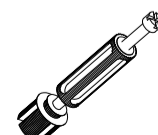
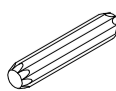
8



1660*364 1PS

1

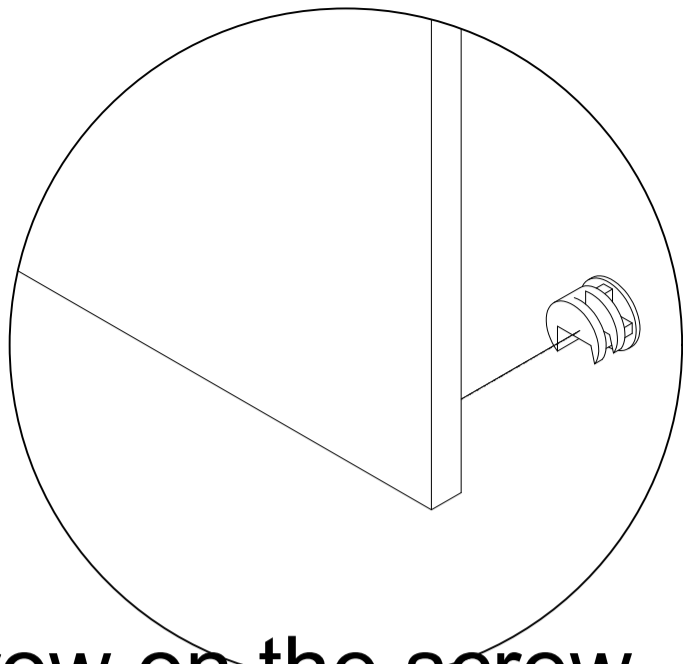


	A*12
	B*6

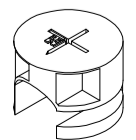
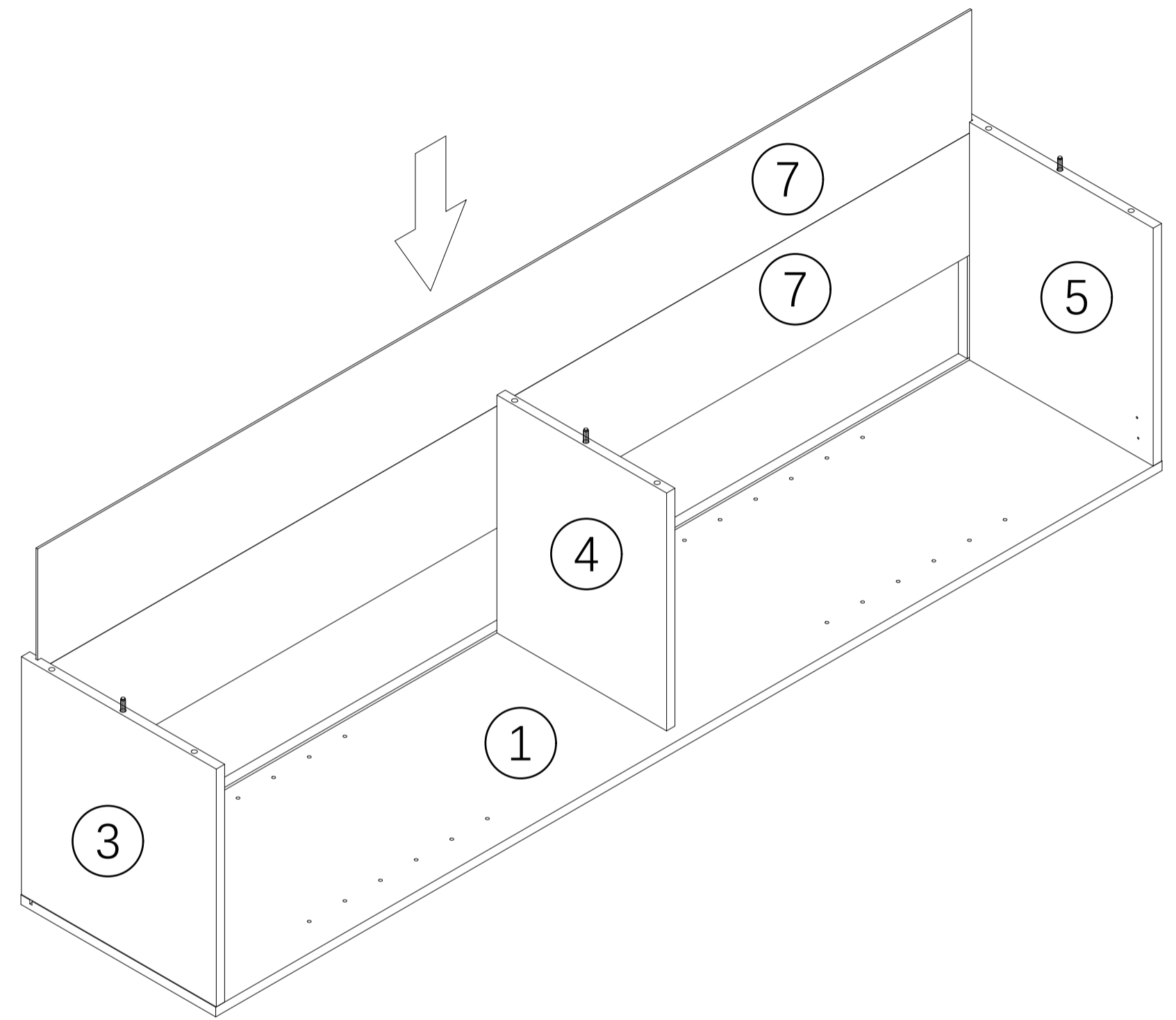
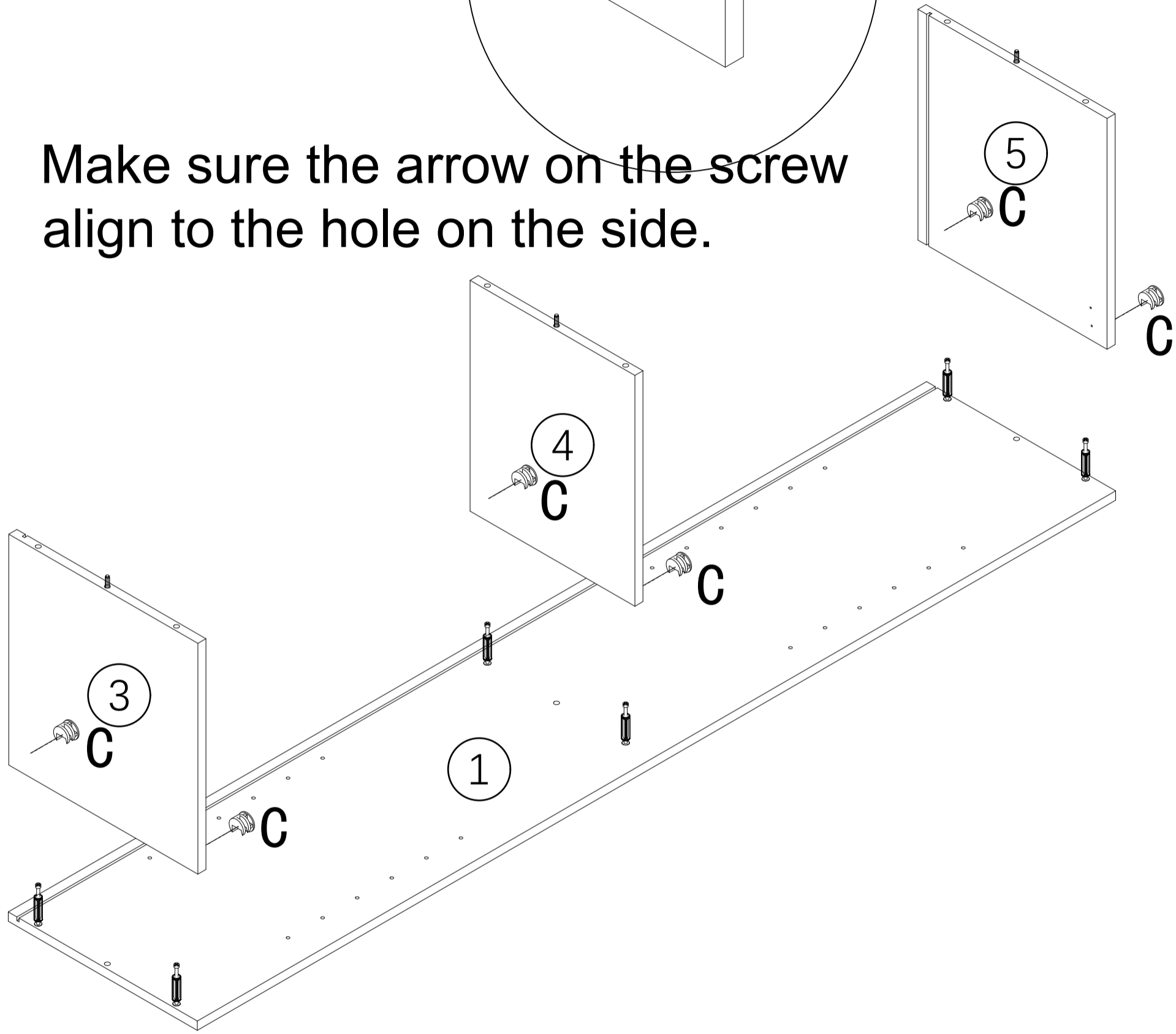
put A on board (1)(2)

put B on board (3)(4)(5)

2



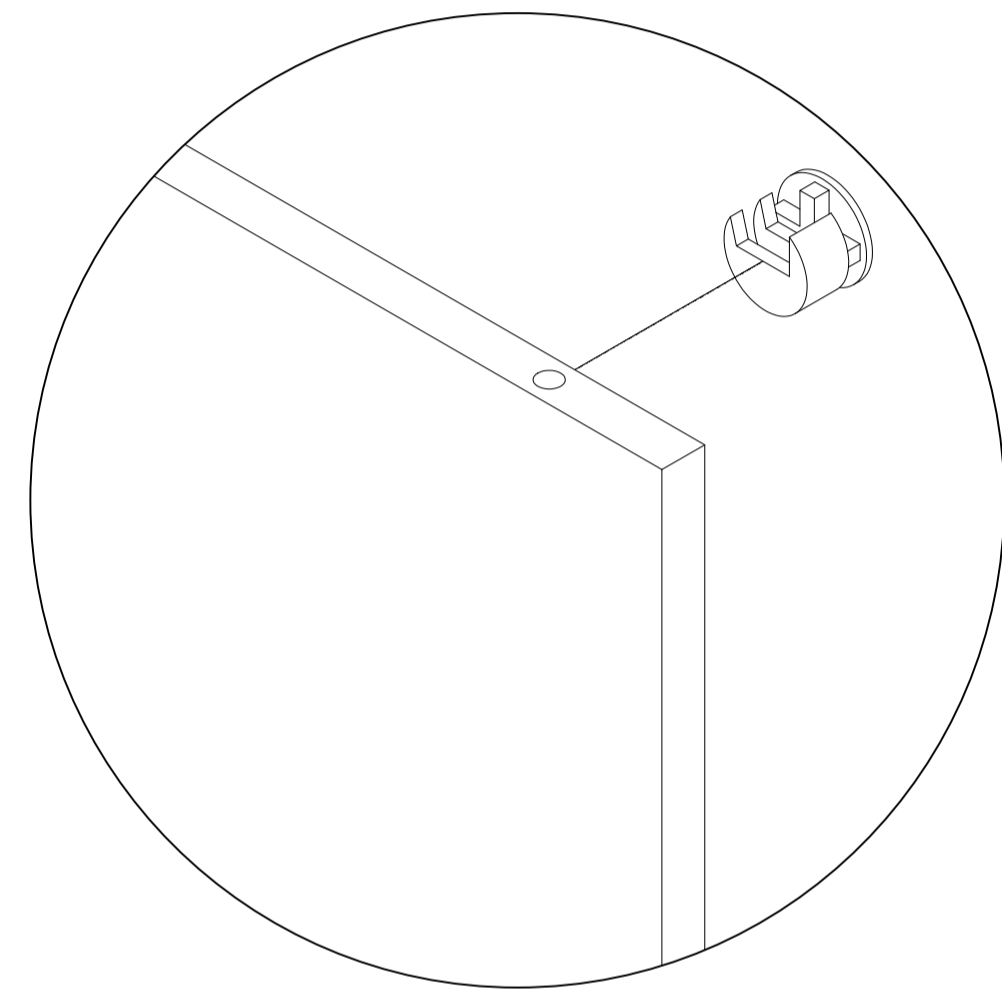
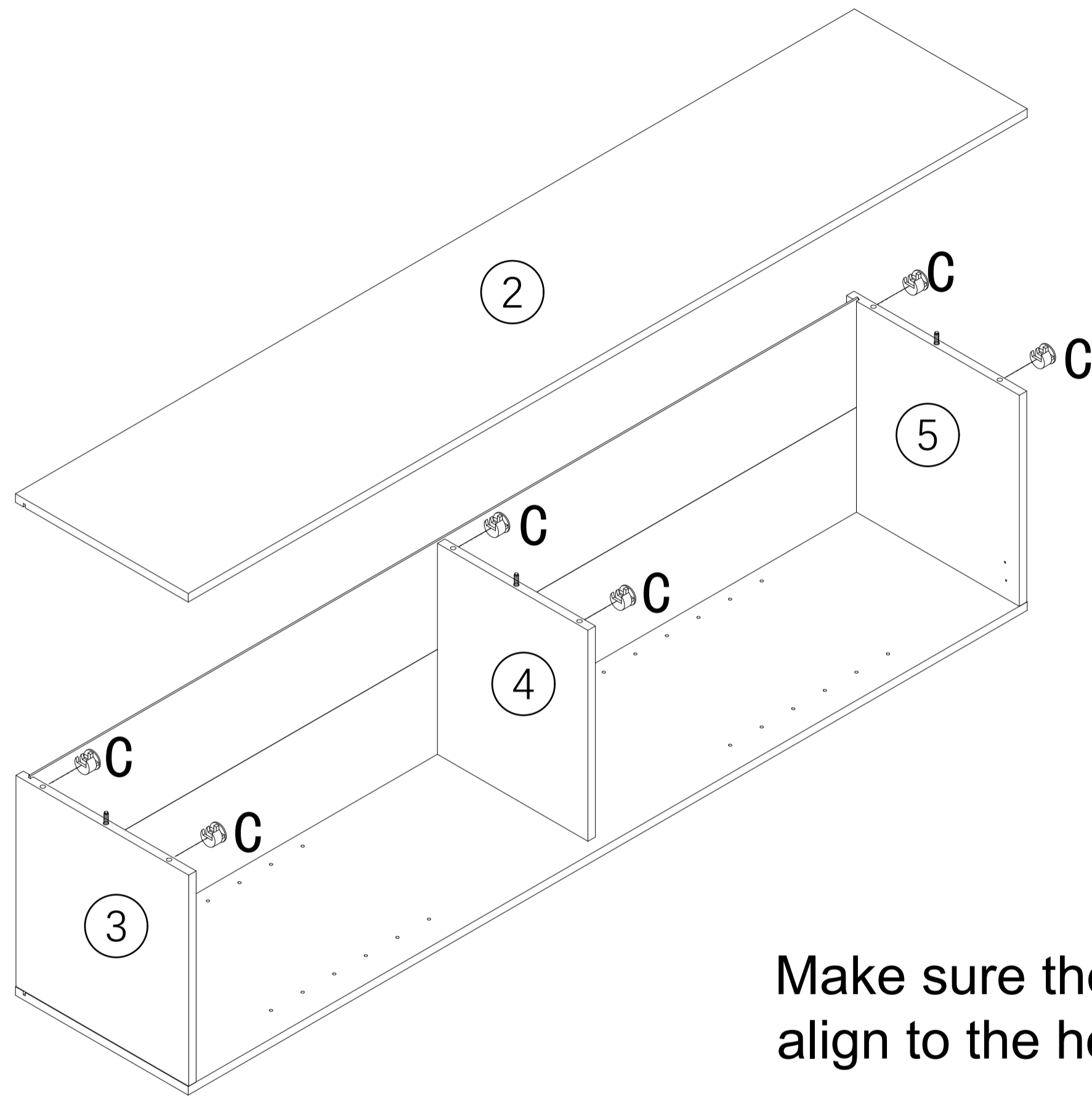
Make sure the arrow on the screw align to the hole on the side.



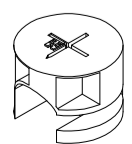
C*6

put C on board (3) (4) (5)

3



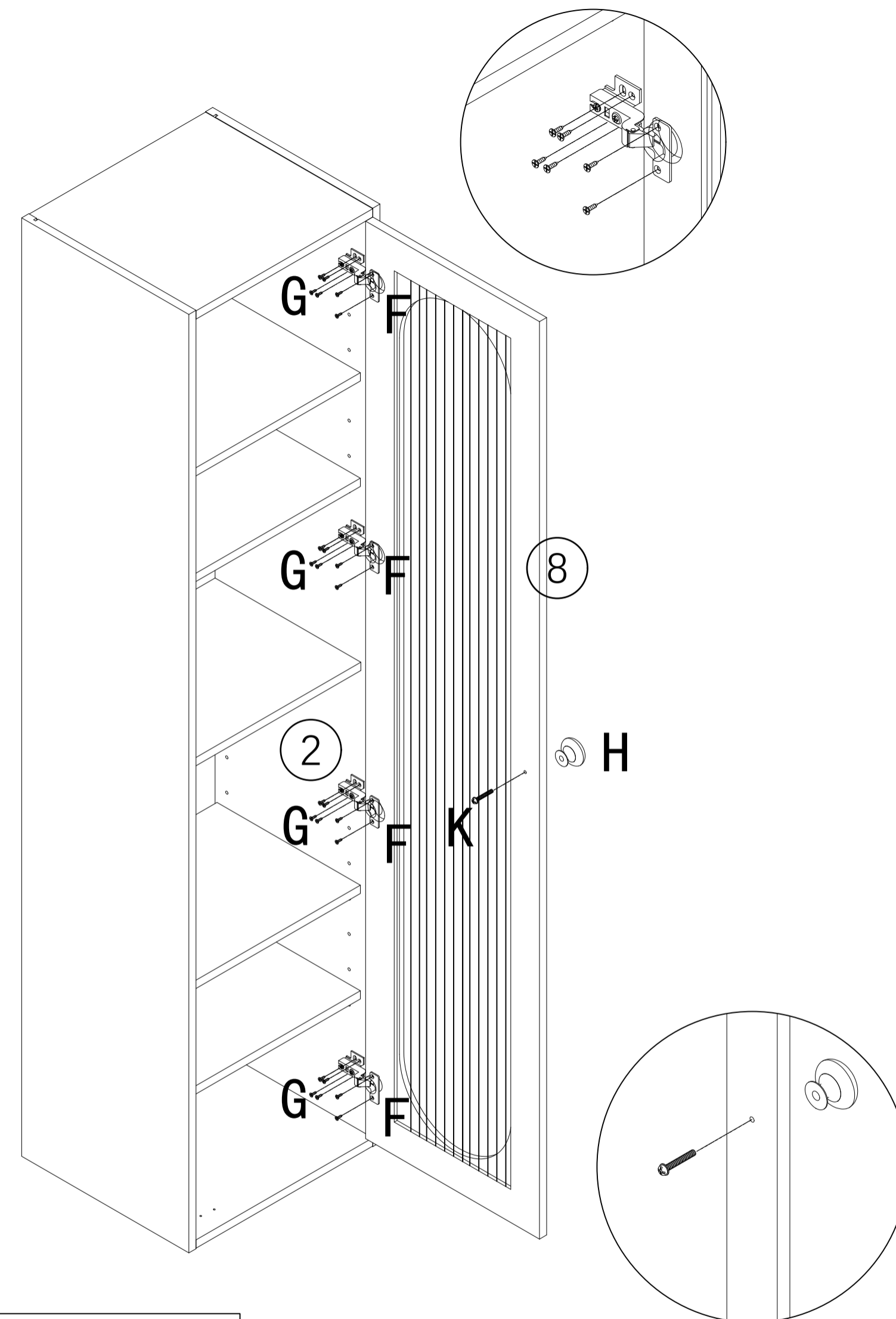
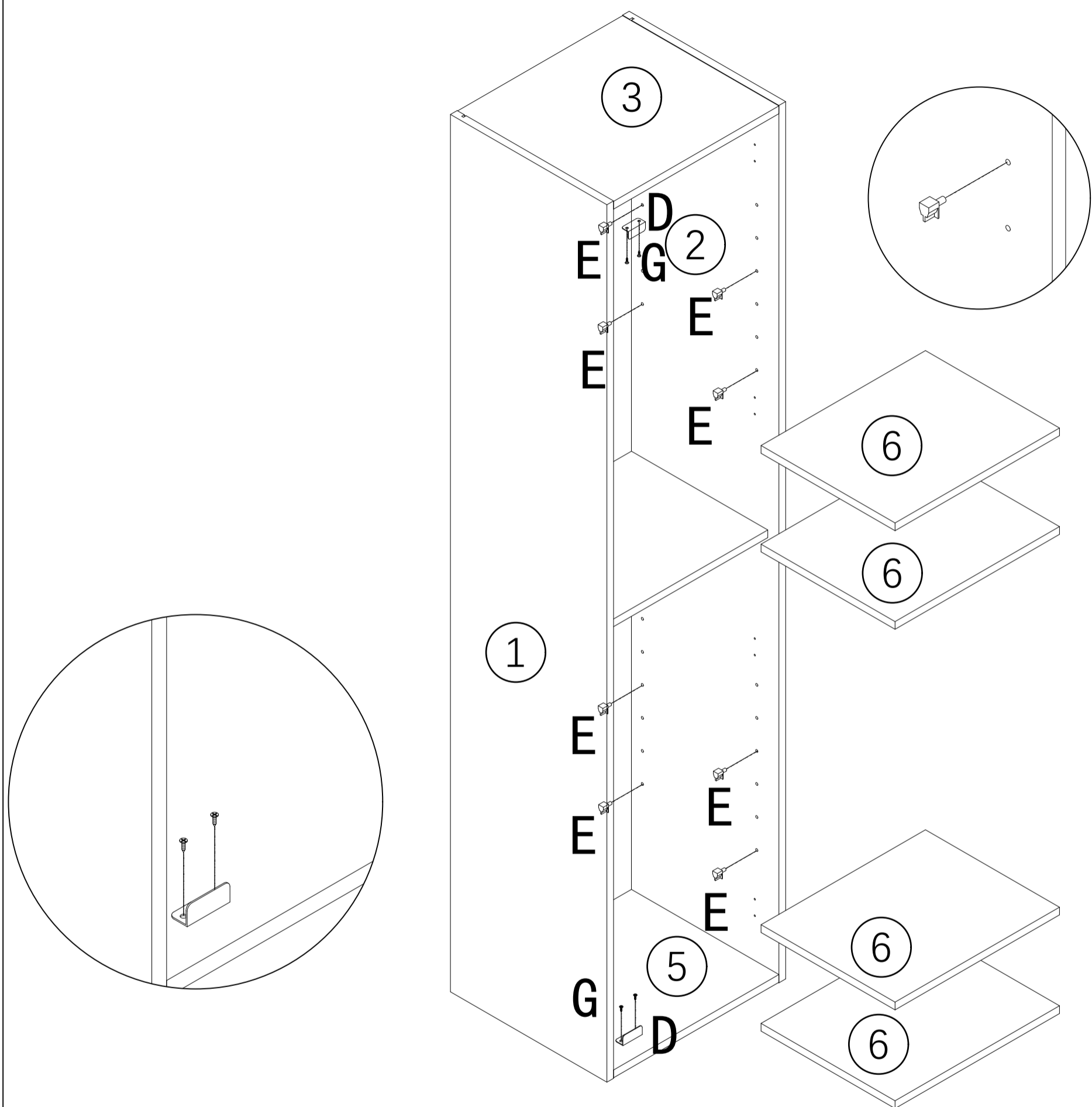
Make sure the arrow on the screw align to the hole on the side.

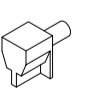
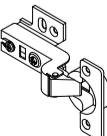
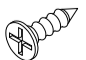




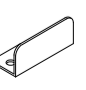
C*6

put C on board 3 4 5

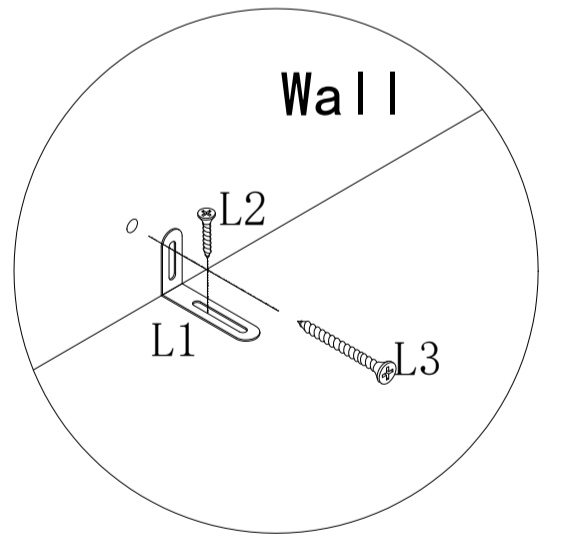
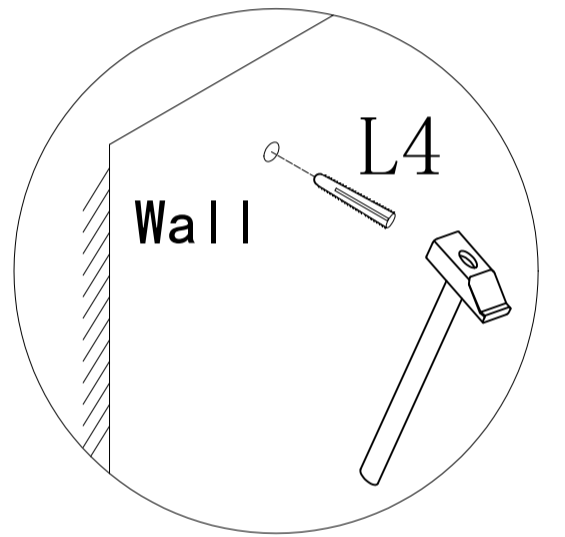
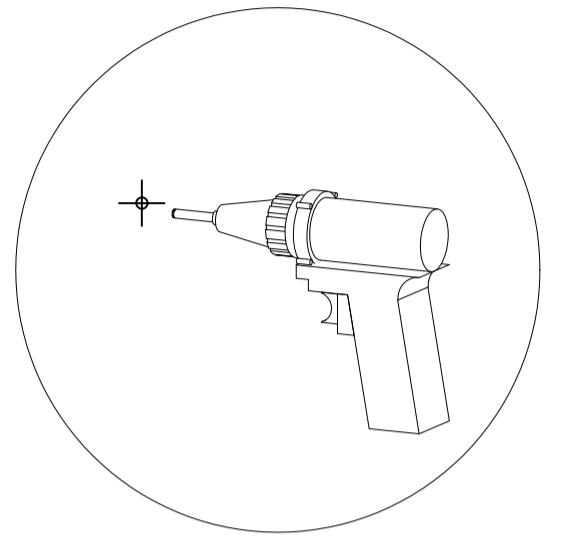
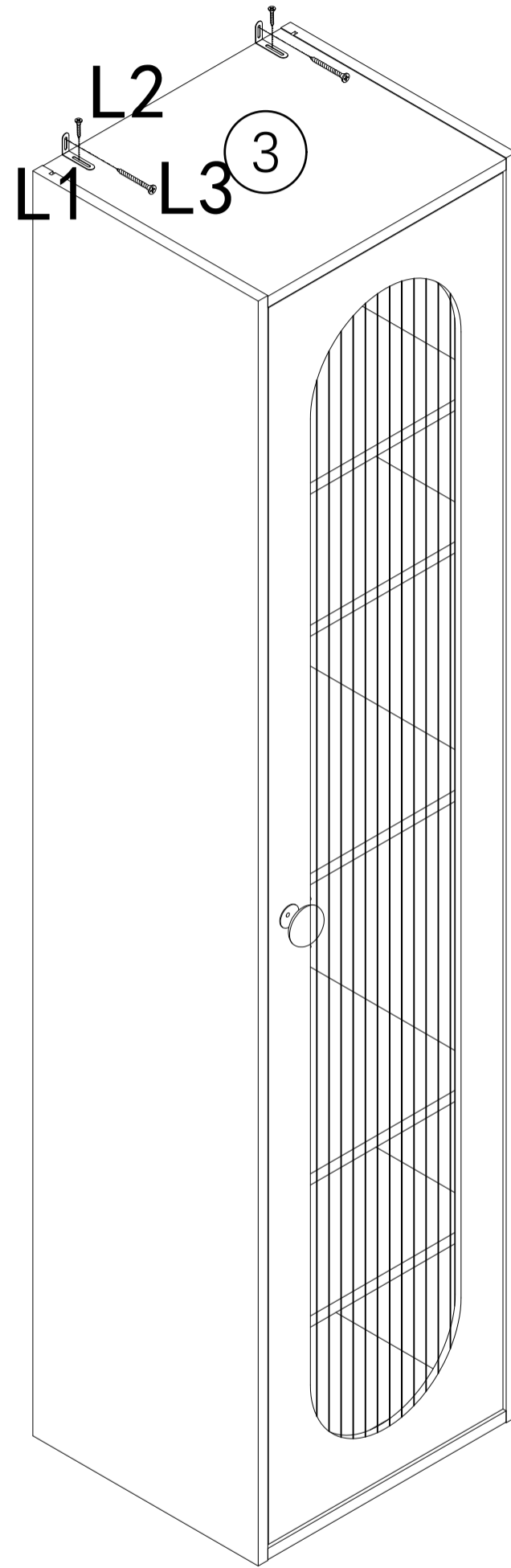
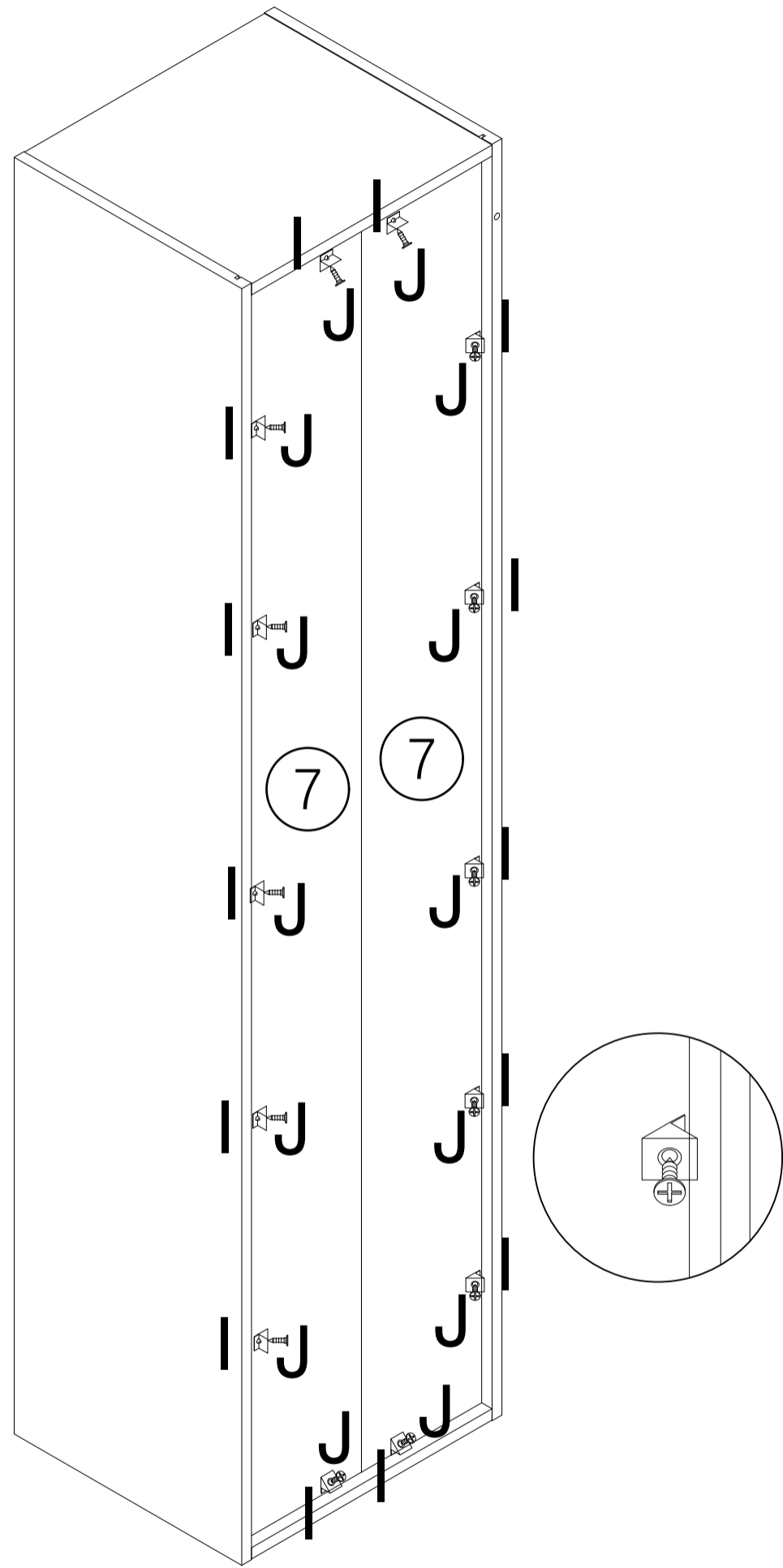
4

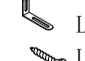
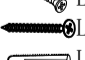

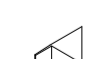
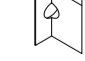


	E*16	put E on board (1)(2)
	F*4	put F on board (2)(8)
	G*28	put G on board (2)(3)(5)(8)

	H*1	put H on board (8)
	K*1	put K on board (8)
	D*2	put D on board (3)(5)

5



 L1	L*2
 L2	
 L3	I*14
 L4	
	J*14
