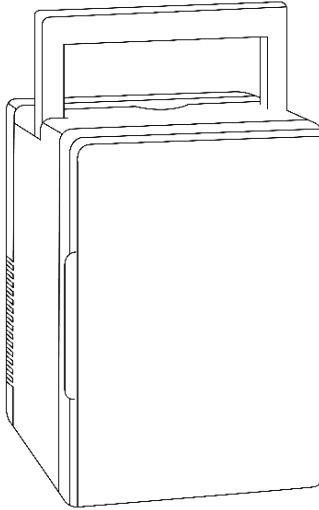




Russell Hobbs

8L Cooler & Warmer



**Model Number:
RH8CLR8001(B)(S)**

**IMPORTANT:
RETAIN FOR FUTURE REFERENCE**

Contents

Safety Instructions	3-4
Electrical Safety	5-6
Transportation & Handling	6
Before Switching On	6
Installing & Switching On Your Appliance	7
Your Appliance	8
Unit	8
Where To Put Your Appliance	9
Usage Information	10-13
Cleaning & Maintenance	14
Defrosting	14
Connection to the Mains Supply	15
Troubleshooting	16-17
Product Guarantee	18
Technical Specification	19

Safety Instructions

This appliance is a semi-conductor electric refrigerating appliance, which is a 'Category 10 other' appliance according to ERP 643/2009. Its design temperature is 17°C.

Important Note: Please read this booklet before installing and switching on this appliance. The manufacturer assumes no responsibility for incorrect installation and usage as described in this booklet.



WARNING: When positioning the appliance, ensure the supply cord is not trapped or damaged.



WARNING: Do not place multiple portable socket-outlets or portable power suppliers at the rear of the appliance.

- Do not obstruct the ventilation openings in the appliance.
- The appliance must not be placed or rested on its power cord.
- Do not use mechanical devices or other artificial means to accelerate the defrosting process, such as a heater or a hair dryer.
- Do not use electrical appliances in the cooling/warming compartment of the appliance.
- If this appliance is to replace an old refrigerator with a lock, the lock must be removed as a safety measure before storing it or disposing of it. This is to protect children from locking themselves inside the appliance.
- Your old refrigerator and freezer may contain insulation gases and refrigerants; the old appliances must be disposed of properly. Contact your local authority or the supplier if you have any questions. Please ensure that you do not damage the scrap unit prior to it being picked-up by the relevant waste disposal service.
- Do not use adaptors or extension leads when connecting the appliance to the electrical power supply.

- Do not plug in the appliance if there is damage to the plug.
- Do not pull, twist or damage the power cable.
- Do not plug-in or un-plug the appliance with wet hands in order to prevent electrical shock.
- This appliance is designed to be used by adults. Do not allow children to play with the appliance or let them hang over the door.
- This appliance can be used by children aged 8 years and above and by persons with reduced physical, sensory and mental capabilities or lack of experience and knowledge, as long as they have been given supervision or instruction concerning use of the appliance in a safe way and understand the hazards involved.
- Children aged from 3 to 8 years are allowed to load and unload this appliance.
- Do not place explosive or flammable material in your appliance.
- Bottles containing a high percentage of alcohol must be sealed well and placed vertically in the cooling/warming compartment of the appliance.
- Soda drinks must **NOT** be placed inside the cooling/warming compartment of the appliance when the unit is switched to the **HOT** mode.
- Do not cover the body or the top of the appliance.
- Fix down the accessories in the appliance during transportation in order to prevent damage to them.
- To avoid contamination of food, please follow the below instructions:
 - Opening the door for long periods of time can cause a significant increase in the temperature in the compartment of the appliance.
 - Clean surfaces regularly that come in contact with food along with any accessible drainage systems.
 - If the appliance is left empty for long periods, switch off, defrost, clean, dry and leave the door open to prevent mould developing within the appliance.

Electrical Safety

IMPORTANT NOTE: THIS APPLIANCE MUST BE PLUGGED INTO AN EARTHED SOCKET

- Operating voltage for your appliance is 220-240V at 50Hz / DC 12V . Ensure that you plug the product into a suitable power source, as described in the operating instructions or as marked on the product.
- When using the 12V in-car adaptor the appliance should not be left connected for a long period of time when the engine is not running.
- DO NOT connect the appliance directly to a 24V lighter socket of a heavy duty vehicle.
- Unplug this apparatus during lightning storms or when unused for long periods of time- this will prevent damage to this product.
- Before plugging in the power supply, ensure that the voltage on the rating label corresponds to the working voltage of your electrical system in your home or automobile. Connection to any other power source may damage the unit.
- Insert the plug into an efficient earthed connection. If the socket has no earthed contact we suggest you call an authorised electrician for assistance.
- This product may be fitted with a non re-wireable plug. If it is necessary to change the fuse in the plug, the fuse cover must be refitted. If the fuse cover becomes lost or damaged, the plug must not be used until a suitable replacement is obtained.
- If the plug or adaptor has to be changed because it is not suitable for your socket, or becomes damaged in any way, it should be cut off and an appropriate plug fitted following the wiring instructions. This should be carried out by a qualified electrician. The plug removed must be disposed of safely, as insertion into a 13 Amp socket is likely to cause an electrical hazard.
- DO NOT take apart the appliance. Opening or removing the covers on the appliance may expose you to dangerous voltages or other hazards.
- To prevent risk of fire or electric shock, avoid overloading wall outlets, extension cords, or integral convenience receptacles.

- The supply voltage should be the same as that indicated in the technical specifications and the appliance rating plate.
- In order to disconnect the apparatus from the mains completely switch off the outlet and remove the mains plug completely.
- Do not bend, stretch or pull the supply cable in order to avoid electric shock.
- When installed, the power socket must be within easy reach.

Transportation & Handling

- For safe lifting, ensure the door is closed and carry the appliance by the carry handle.
- Lift the appliance carefully and never use the door catch for lifting.


Before Switching On

- Remove all transport tapes and foam protection pieces.
- Clean the interior with a dampened in lukewarm soapy water. Wipe down with clean water and then wipe dry.
- **Important Note: Ensure the appliance is not connected to the power when performing this task.**
- There may be an odour when you first switch on the appliance, it will disappear when the appliance starts to cool.
- When the appliance has been positioned, ensure the unit is stable. This is essential to ensure quiet running and proper door opening/closing.
- Connect to the electrical socket (AC) or to a DC socket and set the mode switch to Cold or Hot (the mode switch is located at the rear of the appliance) and switch on the power. The appliance will begin to work.
- To save energy, you should minimize the frequency and duration of door opening.

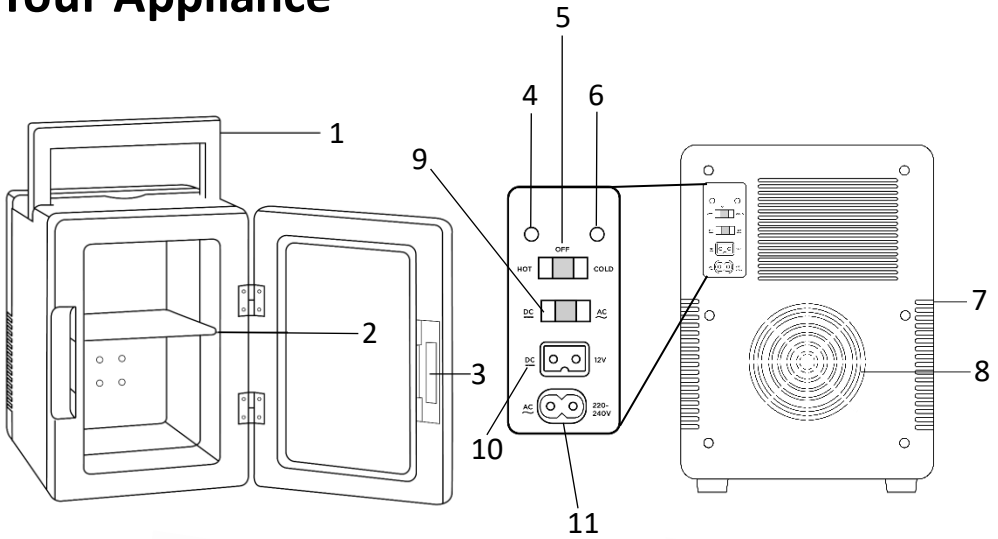
Installing & Switching On Your Appliance

- Place your appliance in an area that is not exposed to direct sunlight.
- Your appliance should be placed at least 10 cm away from stoves, ovens and other heating cores.
- This appliance should never be used outdoors or left in the rain.
- When your appliance is placed next to a chest freezer or freezer, there should be at least 10cms between them to prevent humidity on the outer surface.
- Do not use this apparatus near water or moisture i.e. near a bathtub, wash-bowl, kitchen sink, laundry tub, in a wet basement, near a swimming pool, outdoors, or anywhere else that water or moisture is present.
- Do not place anything on your appliance and install the unit in a suitable place so that there is at least 30cm clearance above the appliance.
- The sides and rear of the appliance should have at least 10cm clearance.
- The appliance must be used in the vertical position.
- This appliance should only be placed on a flat, firm surface.
- Do not place your appliance on a carpeted surface as this will prevent adequate ventilation.
- Choose a dry and well-ventilated space.
- The appliance should be positioned so that the plug is easily accessible.
- This appliance is not suitable for use in garages, outbuildings or rooms that do not comply with the ambient temperature requirements set out in the Product Fiche.

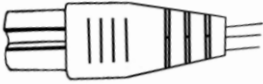


 **WARNING!** During use, service and disposal of the appliance, please pay attention to symbol similar to the one shown, which is located on rear of the appliance (rear panel or compressor) and with a yellow or orange colour. It's risk of fire warning symbol. There are flammable materials in refrigerant pipes and compressor. Please be far away from fire source during use, service and disposal.

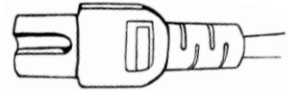
Your Appliance



12



13

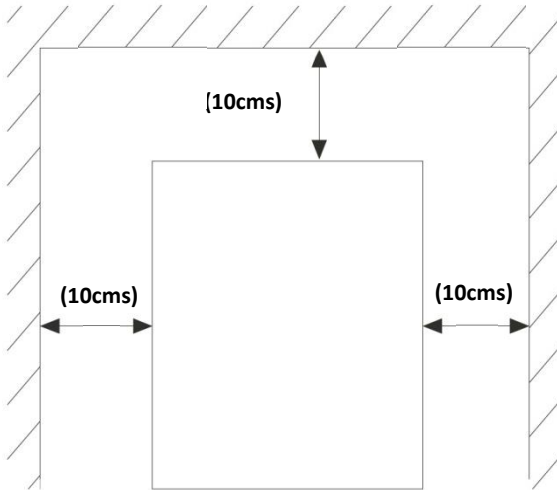


- | | |
|------------------------------|-----------------------|
| 1. Carry handle | 8. Air-in vent |
| 2. Adjustable shelf | 9. DC/AC power switch |
| 3. Door catch | 10. DC input |
| 4. Heating indicator light | 11. AC input |
| 5. Off/Mode selection switch | 12. DC adaptor |
| 6. Cooling indicator light | 13. AC adaptor |
| 7. Air-out vent | |

Parts may vary according to the appliance model.

Where To Put Your Appliance

- When placing situating your appliance, choose a dry and well-ventilated space.
- Avoid using a location where dust or other airborne contamination may be drawn into the fan.
- No less than 10cms must be left around the sides and 10cms must be left around the back of the appliance to allow sufficient cooling.
- Choose a location away from a heat source, e.g. direct sunlight, a radiator or oven, etc.
- The appliance should be positioned so that the plug is easily accessible.



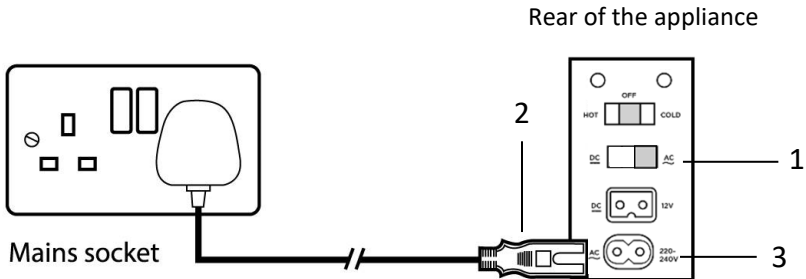
Usage Information

Important Note:

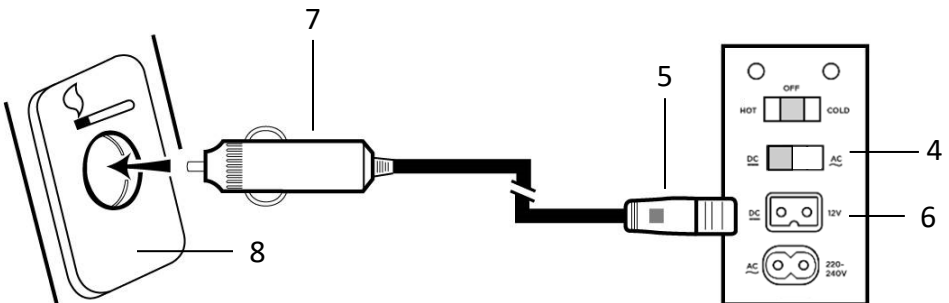
- **Do not use this appliance when car engine is off to avoid running down the car battery.**
- The ambient temperature and air circulation condition can affect the cooling speed and temperature of the appliance.
- The cooling temperature range of the appliance is between 16-20°C below ambient temperature. For example if the ambient temperature is 25°C then the temperature inside the appliance will be between 5-9°C when set on Cold mode.
- The ideal ambient temperature for the appliance to perform is between 20-25°C. The lowest temperature the appliance can achieve is approximately 5°C.
- This appliance has a thermoelectric cooling system and not a compressor cooling system (like a refrigerator) and therefore it will not reach 0°C or achieve the same cooling performance as a compressor.
- The heating temperature range is 50-65°C when set to hot mode.
- The temperature of freshly stored items and how often the door is opened affects the temperature in the compartment. If required, change the temperature setting.
- When you first switch on the appliance, to enable suitable cooling or heating, the appliance should work for 4 hours continuously until it cools down or heats up to required temperature.
- During this time do not open the door frequently or place a lot of items inside the appliance.
- If the unit is switched off or unplugged, you must allow at least 5 minutes before restarting or reconnecting the unit.

Usage Information

- The unit should be kept away from direct sunlight.
- Place the appliance on flat and even surface with good ventilation.
- This appliance is suitable to use in a household or inside an automobile.
- Ensure the correct power cord is used for the appropriate environment.
- To use in household, switch to AC mode at the rear of the appliance (1), then connect the AC cord (2) to AC input located at the back of the appliance (3), then connect the power cord to the power supply socket.

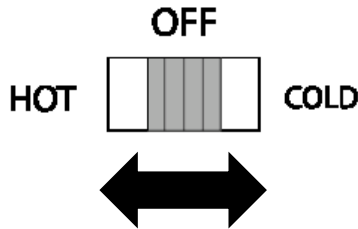


- To use in an automobile, switch to DC mode at the rear of the appliance (4), connect the DC cord (5) to the DC input at the back of the appliance (6), then connect the DC plug (7) into the car cigarette lighter socket (8).



Usage Information

- Plug in the appliance and move the mode switch at rear of the appliance to 'COLD' or 'HOT'. Close the door.



- If you have selected the 'COLD' mode, then the green LED will illuminate, leave the appliance for a minimum of 4 hours for the correct temperature to be reached before placing anything inside.
- To achieve the quickest cooling performance, fill the fridge with beverages which have already been refrigerated. They will then stay cool and become even cooler, providing the fridge remains switched on.
- The temperature at which the fridge operates depends on the surrounding ambient temperature. Cooling will be more efficient in a colder environment.
- If you have selected the 'HOT' mode leave the appliance for a minimum of 4 hours for the correct temperature to be reached before placing anything inside.
- The box is designed and used for the purpose of keeping warm items warm. And not for warming up items
- Hot items stays hot for a number of hours after the fridge has been switched off, providing the door is closed properly

Usage Information

Important: No sealed drinks/food to be placed inside the cooler while in 'HOT' mode.

- After food or drinks have been placed inside the appliance, ensure the doors is closed fully.
- The maximum capacity is 8L.
- The appliance can hold a maximum of 10 x 330ml cans
- When you stop using the appliance, turn the mode switch to the OFF position, then unplug the power cord from the appliance and power supply socket.
- Take out all food or drinks from the appliance and wait for the appliance temperature to rise to room temperature before cleaning and storing.

Shelves

- The shelf can be removed to allow for storage of larger items.
- To remove the shelf, first remove all of the items from the shelf, then gently pull the shelf away from the appliance.
- To replace the shelf, place the shelf back into a supporting guide slot and push it back as far as it will go.

Note:

Whilst the appliance can store larger items, you must make sure that they do not prevent the door from shutting properly.

Cleaning & Maintenance

- Disconnect the appliance from the power supply before cleaning.
- Do not pour water directly over or on the appliance.
- The compartment should be cleaned periodically using a solution of bicarbonate of soda and lukewarm water. Do not use abrasive products, detergents or soaps. After cleaning wipe down with a damp clean cloth.
- Ensure you disconnect the plug fully before performing regular maintenance.
- Use a vacuum cleaner or brush to clean the fan monthly.
- Ensure the inside is fully dry before storing the appliance when not in use.

Please Note:

- Cool air from inside the appliance draws moisture out of nearby warmer air, which may condense on the inner surface. Wipe away any moisture build up with a soft cloth and avoid opening the fridge door regularly to reduce excessive condensation build-up.
- If the mini fridge is powered off for an extended period of time then condensation may collect underneath the unit; this is normal. Due to this, steps should be taken to protect the surface the mini fridge is placed on.

Important Note:

- **Only reconnect to the power supply after you have dried your hands.**
- **Do not use sharp metal tools as it may damage the appliance.**
- **Do not use an electrical heater, this may cause an electric shock.**

Defrosting

- The cooler will defrost automatically if frost has started to build up.

Important Note:

- **If you do not use your appliance for a long period of time e.g. when on summer holidays, then unplug it. Clean and leave the door open to prevent humidity and bad odours.**

Connection To The Mains Supply

For UK use only – Plug fitting details (where applicable):

As the colours of the wires in the mains lead of this appliance may not correspond with the coloured markings identifying the terminals in your plug, proceed as follows:

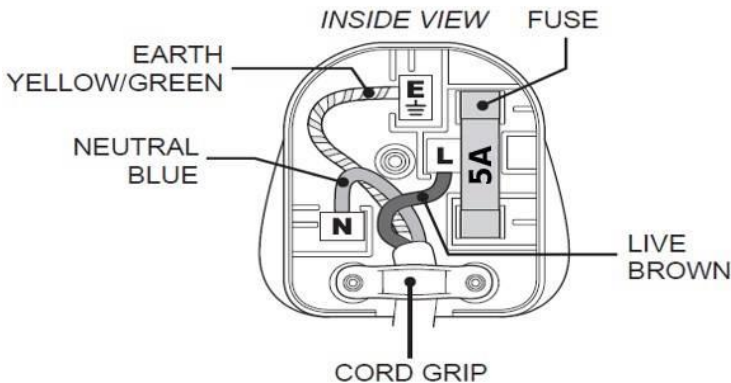
The GREEN/YELLOW wire is the EARTH and must be connected to the terminal which is marked with the letter E or by the earth symbol or coloured GREEN or GREEN/YELLOW.

The BLUE wire is the NEUTRAL wire and must be connected to the terminal marked with the letter N or coloured BLACK.

The BROWN wire is the LIVE wire and must be connected to the terminal marked with the letter L or coloured RED.

Always ensure that the plug cord grip is fastened correctly.

If a 5A (BS1363) fused plug is used it must be fitted with a 5amp fuse conforming to BS1362 and be BSI or ASTA approved.



Troubleshooting

Problem	Solution
The appliance doesn't work	Check that the appliance is switched on.
	Check that there has not been a power cut.
	Check that the plug is not faulty.
	Check that the fuse has not blown.
	Check that the voltage is correct for the appliance.
	Ensure that the AC/DC switch is switched to the correct mode, so that it matches the input you have selected (i.e. whether you have the AC or DC cord plugged into the appliance) .
	The in-car adaptor(Cigarette lighter end) may be covered in debris, preventing the connection. If necessary clean with a non metal brush and solvent.
There may be debris preventing the fan from spinning; use a vacuum to remove the dust/debris.	
The temperature inside the appliance is not cold enough	Check that the appliance is not overfilled.
	Check that the temperature is set to 'COLD' mode, not 'OFF' or 'HOT' mode.
	Check that the appliance is not placed in direct sunlight, or too near to a heating source.
	Check that the ambient temperature is within the operation limits of the appliance.
	Try not to open the doors frequently as this will also reduce the temperature within the appliance.
Check that the door has not been left open or check that the door gasket is clean and undamaged.	
The temperature within the appliance is not hot enough	Check that the temperature is set to 'HOT' mode, not 'COLD' mode.

Troubleshooting

Problem	Solution
The inner surfaces of the appliance are wet	This could be caused by condensation - dry the inside of the appliance.
The outer surfaces of the appliance are wet	This could be caused by condensation - dry the outer of the appliance carefully.
Unusual noises	Check that the appliance is on a flat, level surface and is stable.
	Check the spacing around the appliance and ensure it is not touching other items.
	If the appliance is making a whirring noise, this is normal for when the fridge is cooling down.
The appliance smells/has an odour	Check that nothing has leaked or any stagnant liquid is at the bottom of the appliance. Clean if required.

Guarantee

This product is guaranteed for 12 months from the date of the original purchase. If any defect arises due to faulty materials or workmanship you must contact Product Care with the original proof of purchase so a replacement or refund can be arranged.

Refund or replacement is at the discretion of Product Care.

The following conditions apply:

- Product Care will require a valid proof of purchase at the point of replacement or refund.
- The product must be installed and used in accordance with the instructions contained in this instruction guide and any other instructions for use which has been supplied.
- It must be used for domestic purposes only and for its intended use.
- This guarantee does not cover wear and tear, damage, misuse or consumable parts.

This does not affect your statutory rights.

Region	Contact	Website
UK & Northern Ireland	0345 209 7461	mda.russellhobbs.com
Ireland	1 800 938982	ie.mda.russellhobbs.com
Rest of Europe	europe@productcaregroup.com	de.mda.russellhobbs.com fr.mda.russellhobbs.com es.mda.russellhobbs.com it.mda.russellhobbs.com nl.mda.russellhobbs.com

Technical Specification

Model number	RH8CLR8001(B)(S)
Rated Voltage	AC 220-240V~50Hz / DC 12V
Net Capacity (litres)	8 litres
Cooling Performance	16-20°C below ambient temperature
Heating Performance	50-65°C
Dimensions (CMs)	(H)35.0 x (W)26.3 x (D)29.2



Russell Hobbs

Made by Product Care Trading Limited under license from Spectrum Brands (UK) Limited. Product Care Trading Ltd, Unit 1, Green Bank Business Park, Swan Lane, Hindley Green, Wigan, WN2 4AY, United Kingdom

Product Care (Ireland) Ltd, Unit 3D North Point House, North Point Business Park, New Mallow Road, Cork, T23 AT2P, Ireland. Russell Hobbs is the registered trademark of Spectrum Brands (UK) Ltd.



The 'wheelee bin' symbol is known as the 'Crossed-out wheelee bin Symbol'.

When this symbol is marked on a product/batteries, it means that the product/batteries should not be disposed of with your general household waste. Only discard electrical/electronic/battery items in separate collection schemes, which cater for the recovery and recycling of materials contained within. Your co-operation is vital to ensure the success of these schemes and for the protection of the environment. For your nearest disposal facility, visit www.recycle-more.co.uk or ask in store for details.

SEDEX – Connecting businesses and their global suppliers to share ethical data and enabling improvement in ethical performance. Visit www.sedex.org.uk for further information.

We reserve the right, due to possible changes to design, to alter the instruction manual without prior notice.