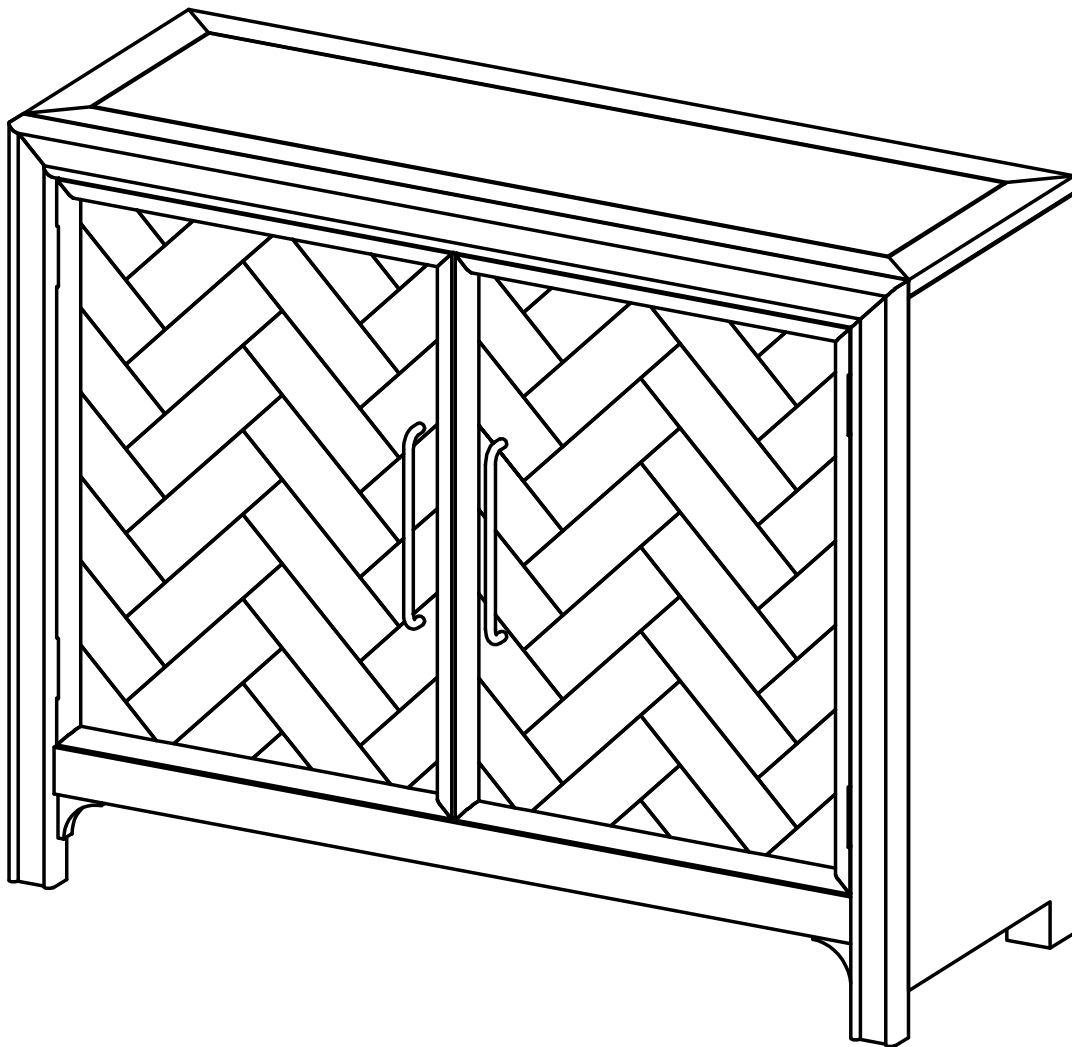


Installation & Assembly

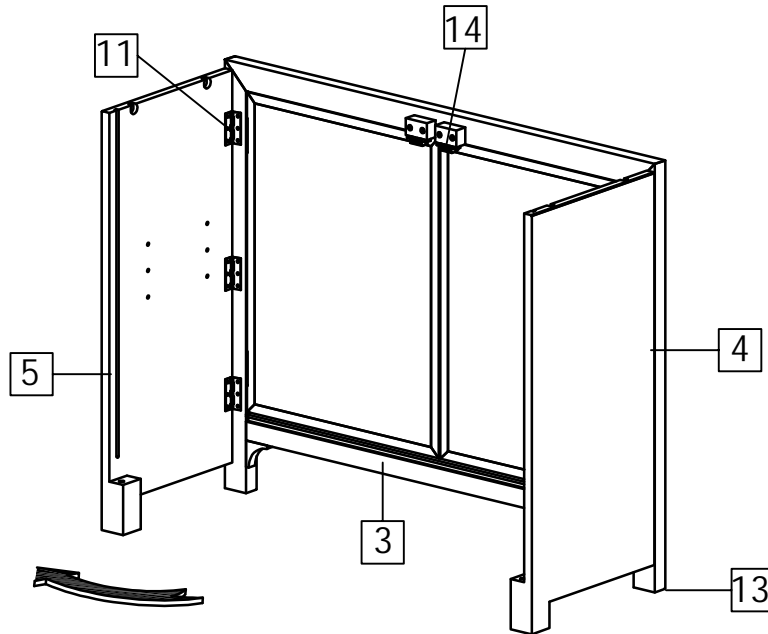
40" TWO DOOR ACCENT CABINET



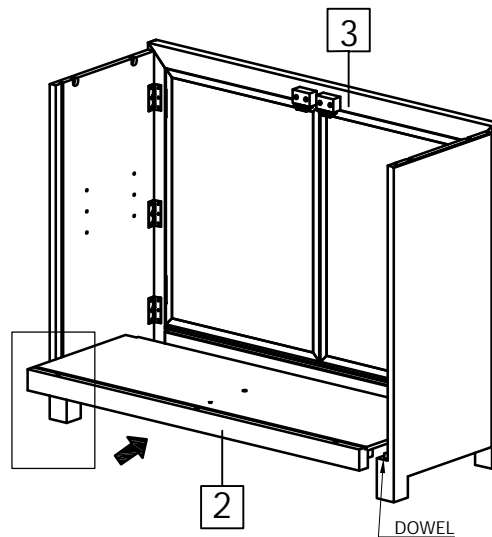
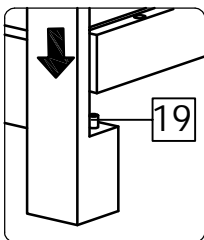
PLEASE NOTE: Assembly requires two people. Follow directions step by step.

Step:01

- With the help of the second person, open the front frame assembly positioning the two side panels of the cabinet 90° perpendicular to the cabinet frame.



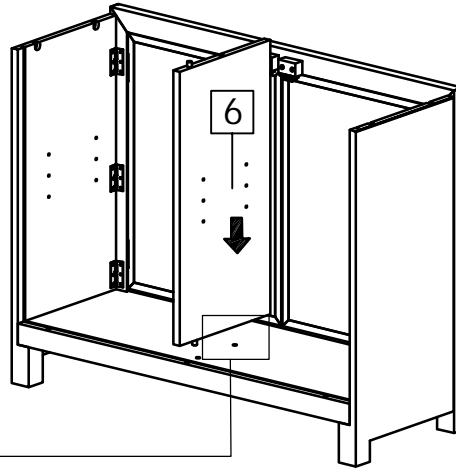
Step:02 -Insert the wood dowels into the rear leg support.



- Place the bottom shelf in position and lock into the wood dowels in the rear leg.

Step:03

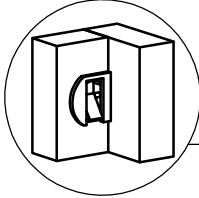
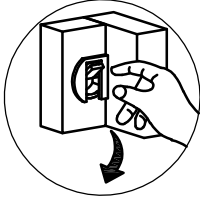
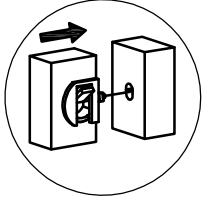
- Line up all the locking tabs in the open position
- With two people, carefully align the top in place making sure that the tab fits into the receiver portion on the top. Once firmly in place, lock the tabs.



Tab in opened position

Pull tab down to lock

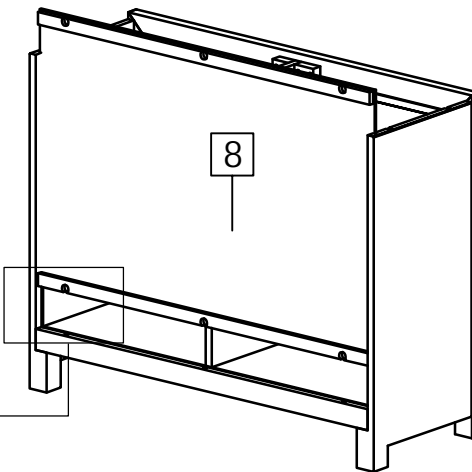
Tab in locked position



- Lock the tab (see diagram below) to secure the vertical panel to the bottom shelf

Step:04

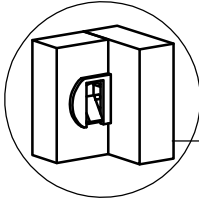
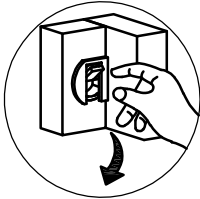
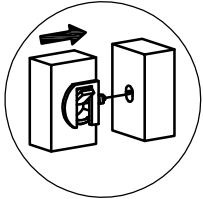
- Carefully insert the back panels into place making sure that the lock tabs are in the open position on the bottom of the back panel.
- Once in place, lock the tabs on the bottom.



Tab in opened position

Pull tab down to lock

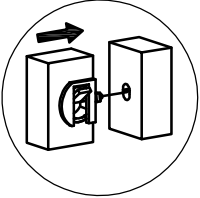
Tab in locked position



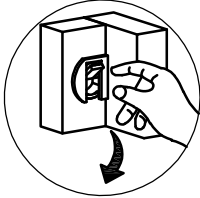
Step:05

- Line up all the locking tabs in the open position
- With two people, carefully align the top in place making sure that the tab fits into the receiver portion on the top.
Once firmly in place, lock the tabs.

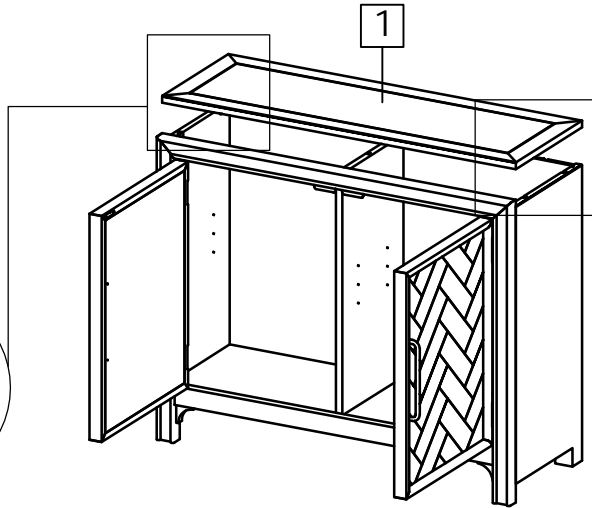
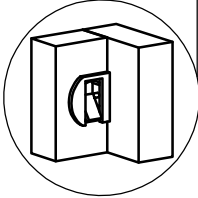
Tab in opened position



Pull tab down to lock

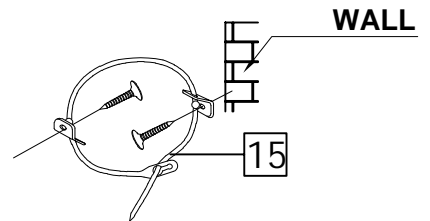
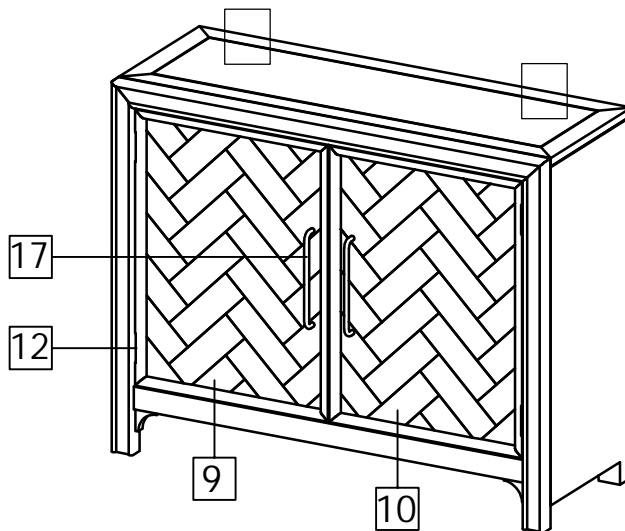
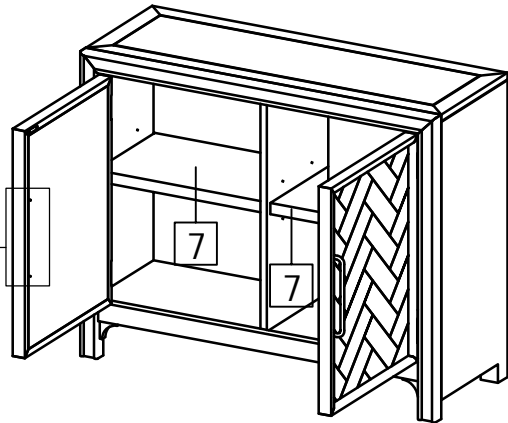
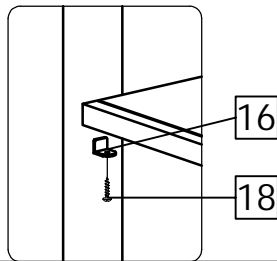
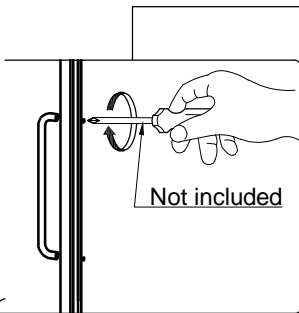


Tab in locked position



Step:06

- Install the shelves using the shelf pins. it is important to secure the shelf in place with the wood screws (See Diagram)
- Install the handles as shown



PLEASE NOTE :
To help prevent the possibility of tip-over, install the ANTI-TIP OVER restraint provided.