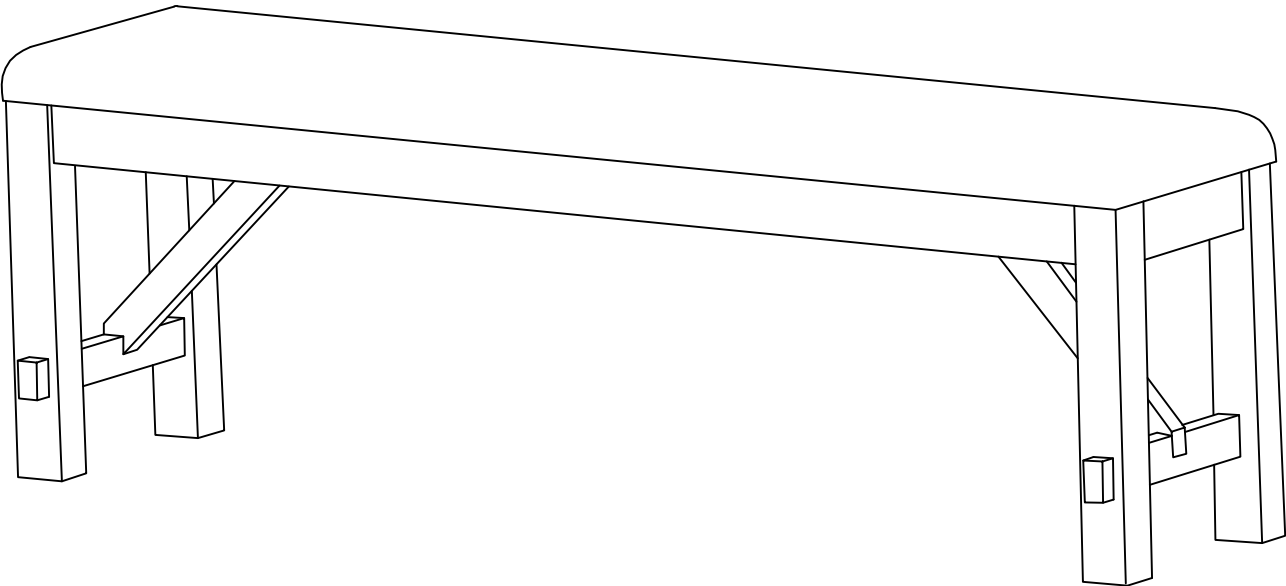
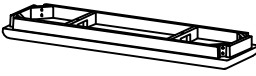
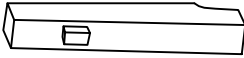
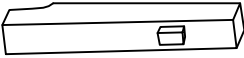
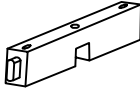
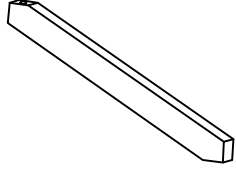


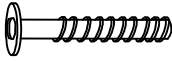
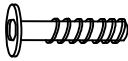
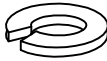


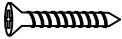

Dining Bench



PART LIST

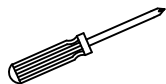
				
<p>Seat 1 PC</p>	<p>Left Leg 2 PCS</p>	<p>Right Leg 2 PCS</p>	<p>Leg Support 2 PCS</p>	<p>Center Support 2 PCS</p>

HARDWARE LIST

				
<p>M6 x 60mm Long Bolt 8 PCS (Extra 1)</p>	<p>M6 x 40mm Bolt 4 PCS (Extra 1)</p>	<p>Spring Washer 12 PCS (Extra 1)</p>	<p>M6 x 13mm Flat Washer 4 PCS (Extra 1)</p>	<p>1/4x19" Large Flat Washer 8 PCS (Extra 1)</p>
				
<p>M4 x 38mm Screw 4 PCS (Extra 1)</p>	<p>M4 Allen Wrench 1 PC</p>			

ADDITIONAL TOOLS (Not Provided)

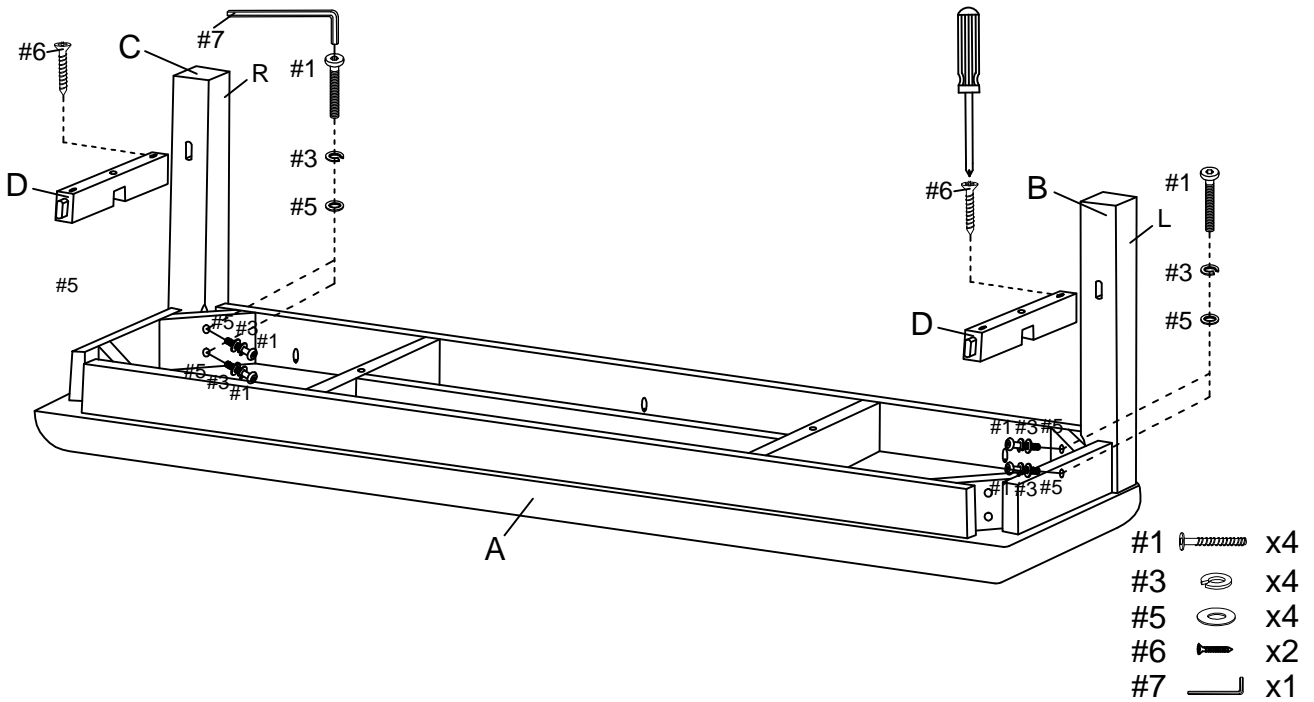
Note: It is not recommended to use power tools during assembly.



Phillips Head Screwdriver

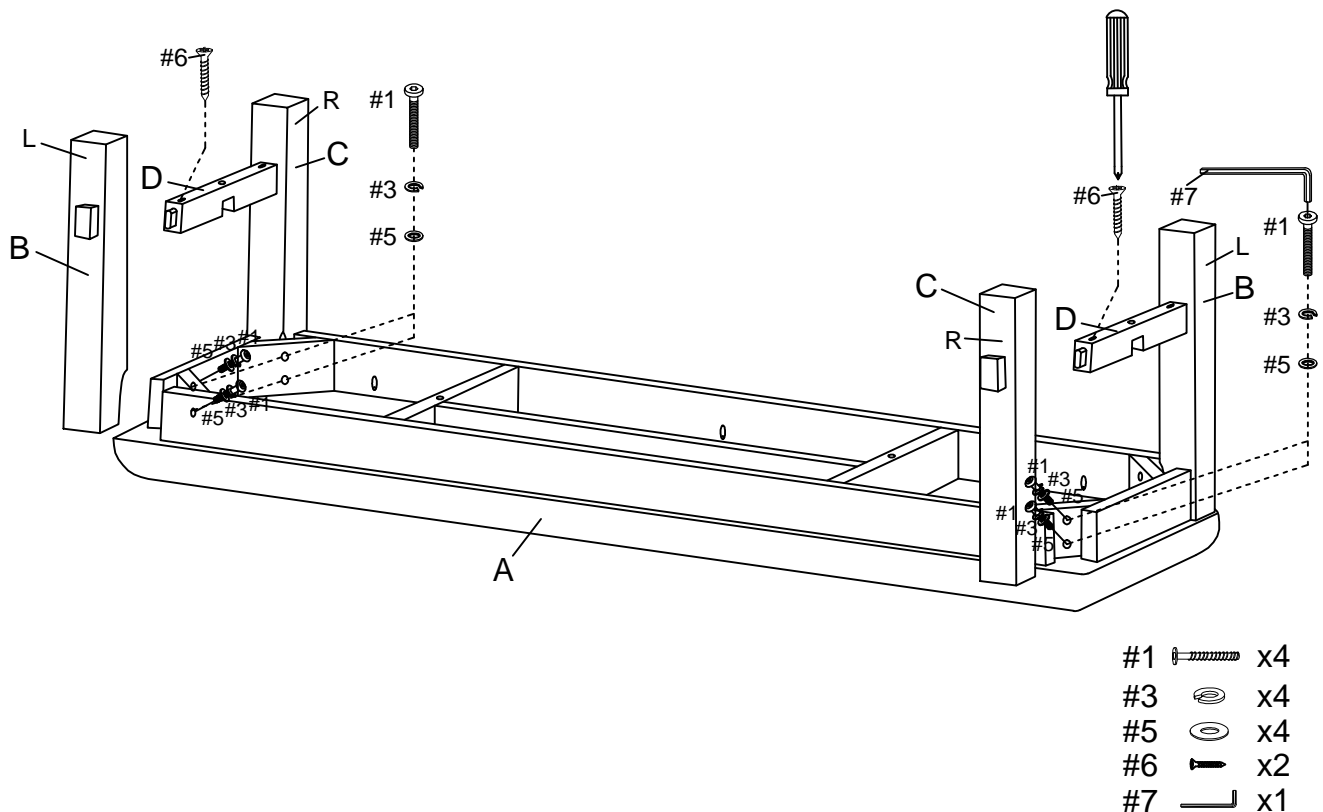
Step 1 . Lay seat (part A) upside down on a soft surface, such as carpet. Attach legs (parts B & C) to seat (part A) using long bolts (part #1), spring washers (part #3), large flat washers (part #5) and allen wrench (part #7). Attach leg supports (part D) to legs (parts B & C) using screws (part #6) and phillips head screwdriver.

NOTE: Please do not fully tighten bolts until unit is fully assembled.



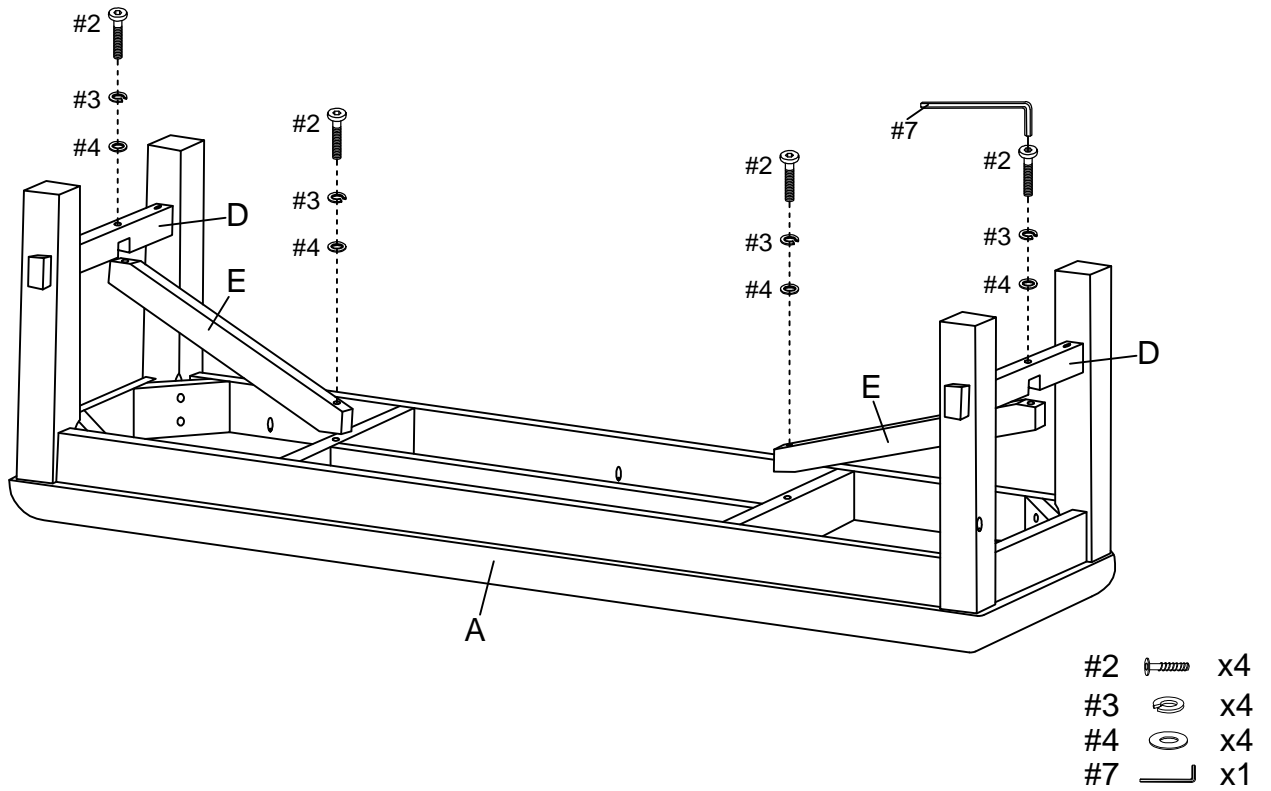
Step 2 . Attach legs (parts B & C) to assembled unit (parts A & D) using long bolts (part #1), spring washers (part #3), large flat washers (part #5), screws (part #6), allen wrench (part #7) and phillips head screwdriver.

NOTE: Please do not fully tighten bolts until unit is fully assembled.



Step 3 . Attach center supports (part E) to seat (part A) and leg supports (part D) using bolts (part #2), spring washers (part #3), flat washers (part #4) and allen wrench (part #7).

NOTE: Please fully tighten all bolts at this time.



Step 4 . Carefully turn assembled unit upright.

