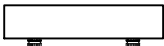

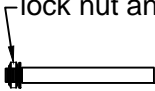
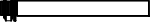
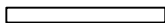





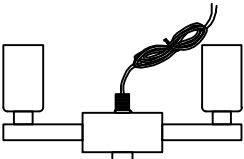
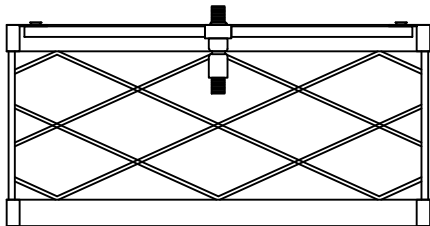
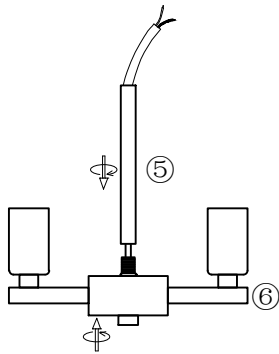
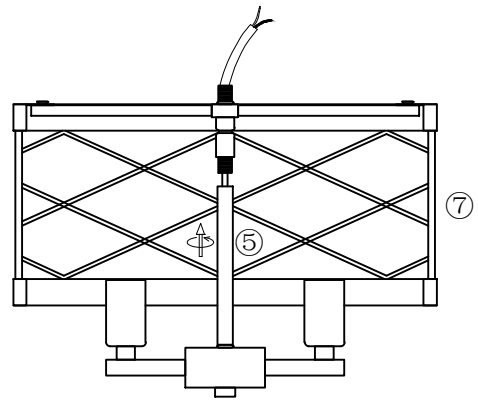


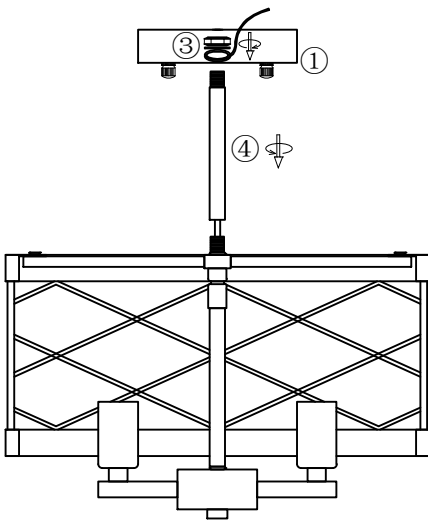
<p>① canopy 1PCS</p>  <p>② cap nut 2PCS</p> 	<p>③ lock nut and teeth lock washer</p>  <p>④ hanging tube 1PCS</p> 	<p>⑤ hanging tube 1PCS</p> 	<p> X 1PCS</p> <p> X 3PCS</p> <p> X 3PCS</p> <p> X 3PCS</p> <p> X 3PCS</p>
<p>⑥ light fixture 1PCS</p> 	<p>⑦ lampshade 1PCS</p> 		



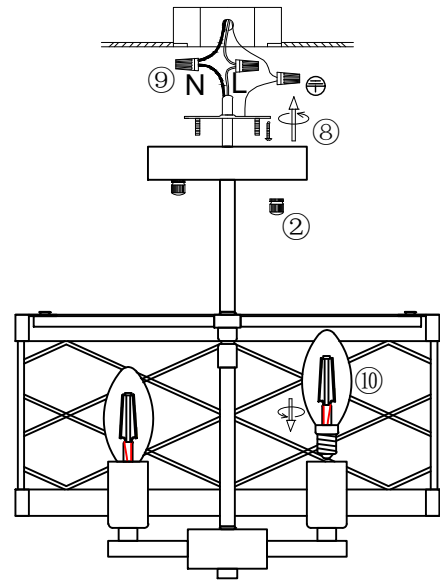
1. Let the wire of the light fixture ⑥ go through the hanging tube ⑤, rotate to fix the tube ⑤ to the fixture.



2. Rotate to install the lampshade ⑦ to the fixture.



3. Loosen and remove out the lock nut and teeth lock washer ③ from the tube ④, let the wire go through the tube ④ and rotate to install the tube ④ to the fixture.  
 4. Install the canopy ① to the fixture with lock nut and teeth lock washer ③.



5. Install the bracket to the ceiling junction box with screw ⑧.  
 6. Connect the wire to the home line with cap connector ⑨.  
 7. Install the fixture to the bracket with cap nut ②.  
 8. Install the bulb ⑩.

ZJD00211-4

Please read carefully before installation!!!

Note : Please make sure that the electricity is powered off during installation !

Only a professional electrician should install this kind of product !