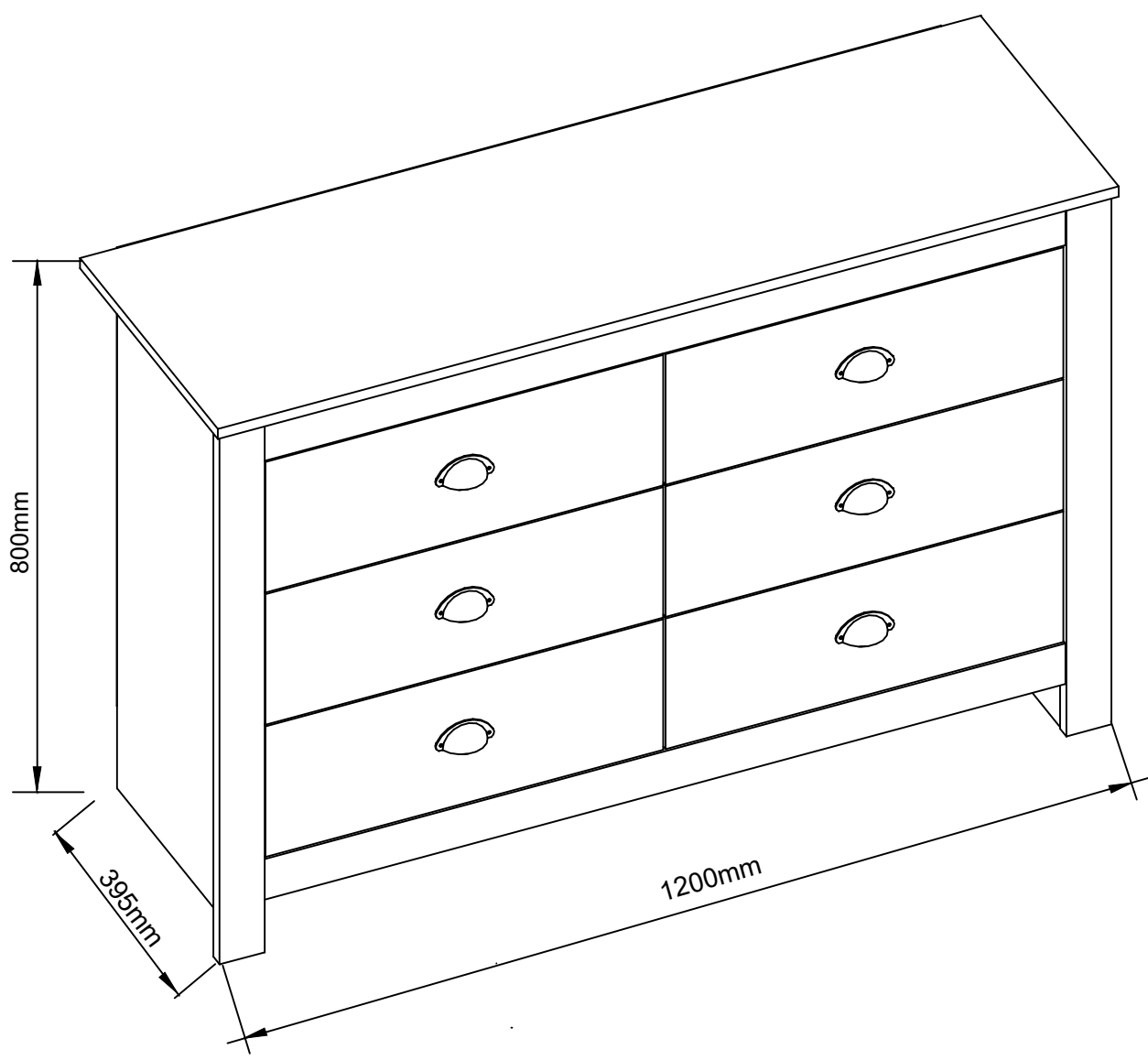


# 6 Drawers Chest

Assembly Instructions – Please keep for future reference



Dimensions	No. people	Assembly Time
Width: 120cm Depth: 395cm Height: 80 cm		50 mins (approx.)

### Important

- PLEASE READ THESE INSTRUCTIONS FULLY BEFORE STARTING ASSEMBLY
- PLEASE DO NOT THROW THE PACKAGING AWAY UNTIL YOU ARE SATISFIED WITH PURCHASE, GOODS NEED TO BE RETURNED IN ORIGINAL PACKAGING.

# ! Safety and Care Advice

**Important** – Please read these instructions fully before starting assembly

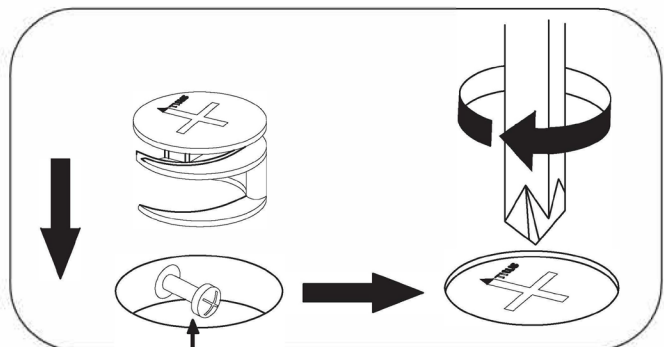
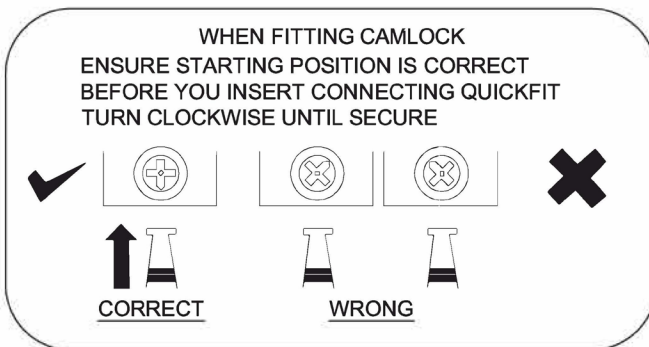
- Check you have all the components and tools listed on pages 4 and 5.
- Remove all fittings from the plastic bags and separate them into their groups.
- Keep children and animals away from the work area, small parts could choke if swallowed.
- Make sure you have enough space to lay out the parts before starting.
- Do not stand or put weight on the product, this could cause damage.
- Assemble the item as close to its final position (in the same room) as possible.
- Assemble on a soft, level surface to avoid damaging the unit or your floor.
- We do not recommend the use of power drill/drivers for inserting screws, as this could damage the unit. Only use hand screwdrivers.
- Dispose of all packaging carefully and responsibly.



## Care and Maintenance

- Only clean using a damp cloth and mild detergent, do not use bleach or abrasive cleaners.
- From time to time check that there are no loose screws on this unit.
- This product should not be discarded with household waste. Take to your local authority waste disposal centre.

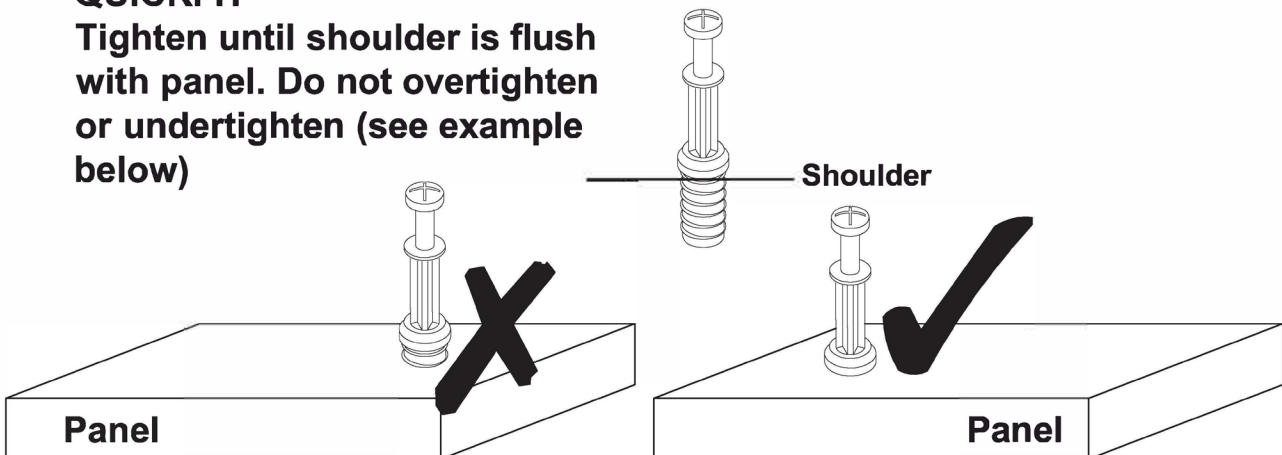
## SPECIAL TIPS FOR FITTING CAM-LOCKS AND QUICKFIT



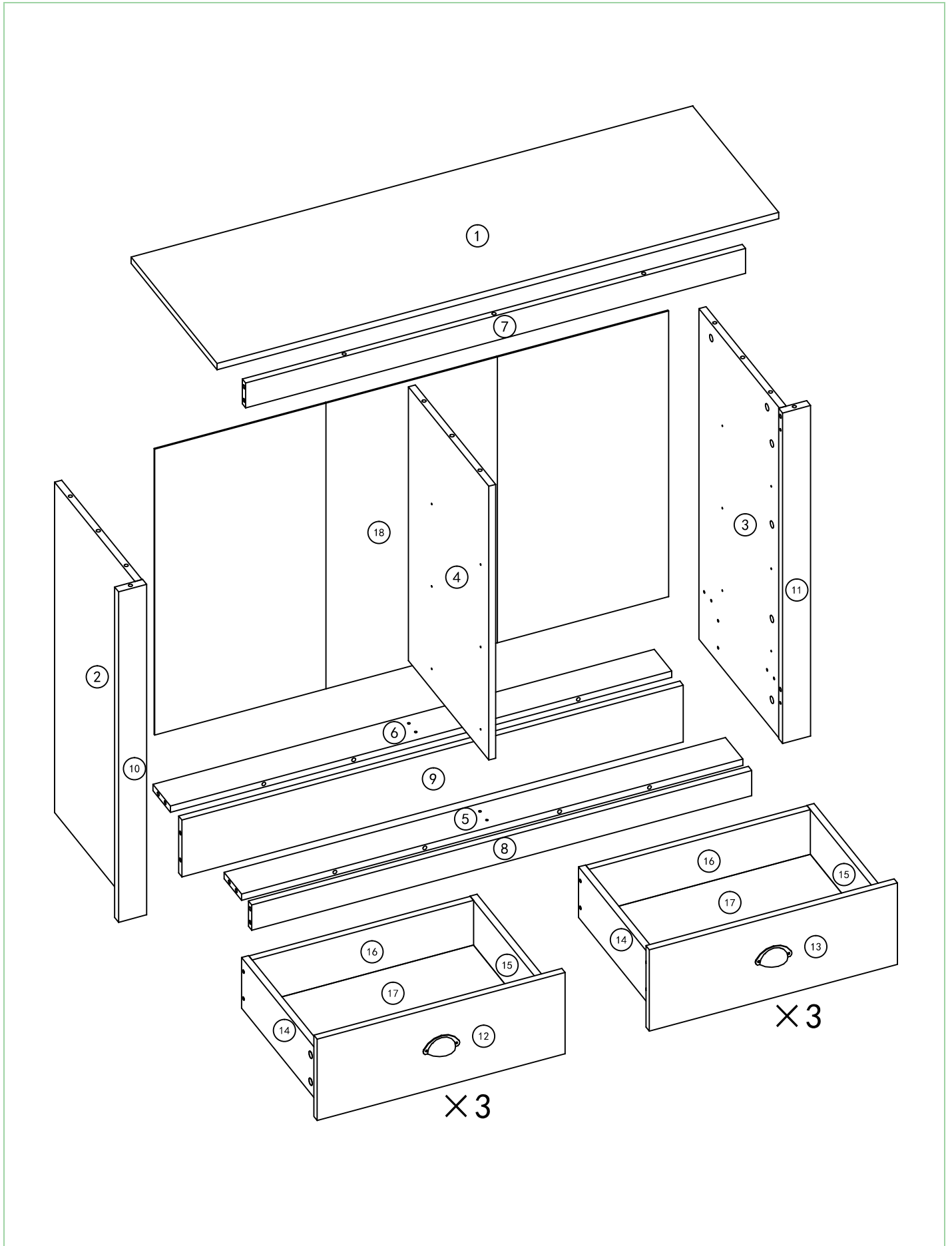
**Quickfit head needs to be in centre**

### QUICKFIT

**Tighten until shoulder is flush with panel. Do not overtighten or undertighten (see example below)**



# Exploded View

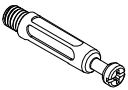

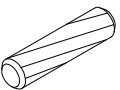




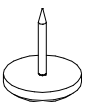
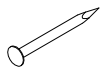
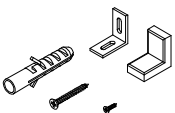




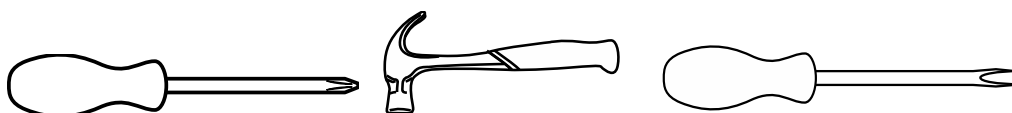
# Components - Fixings

Please check that you have all the components listed below before constructing your item.

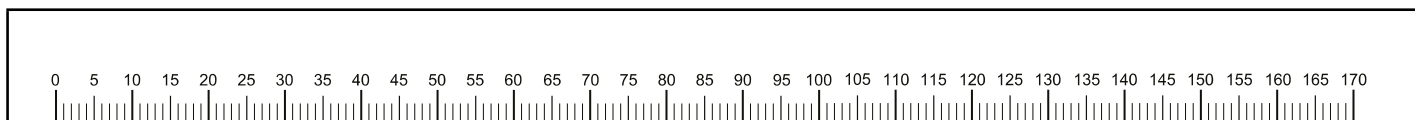
**Note:** The quantities below are the correct amount to complete the assembly. In some cases more fittings may be supplied than are required.

<b>A</b> 62PCS M6*40 	<b>B</b> 62PCS M15*11 	<b>C</b> 12PCS Φ 8*40 	<b>D</b> 6SET DR DL CR CL 350 	<b>E</b> 6PCS 
<b>F</b> 28PCS M3. 5*35 	<b>G</b> 48PCS M3. 5*14 	<b>H</b> 4PCS 	<b>J</b> 26PCS 	<b>K</b> 2PCS 

## Tools Required


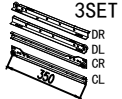



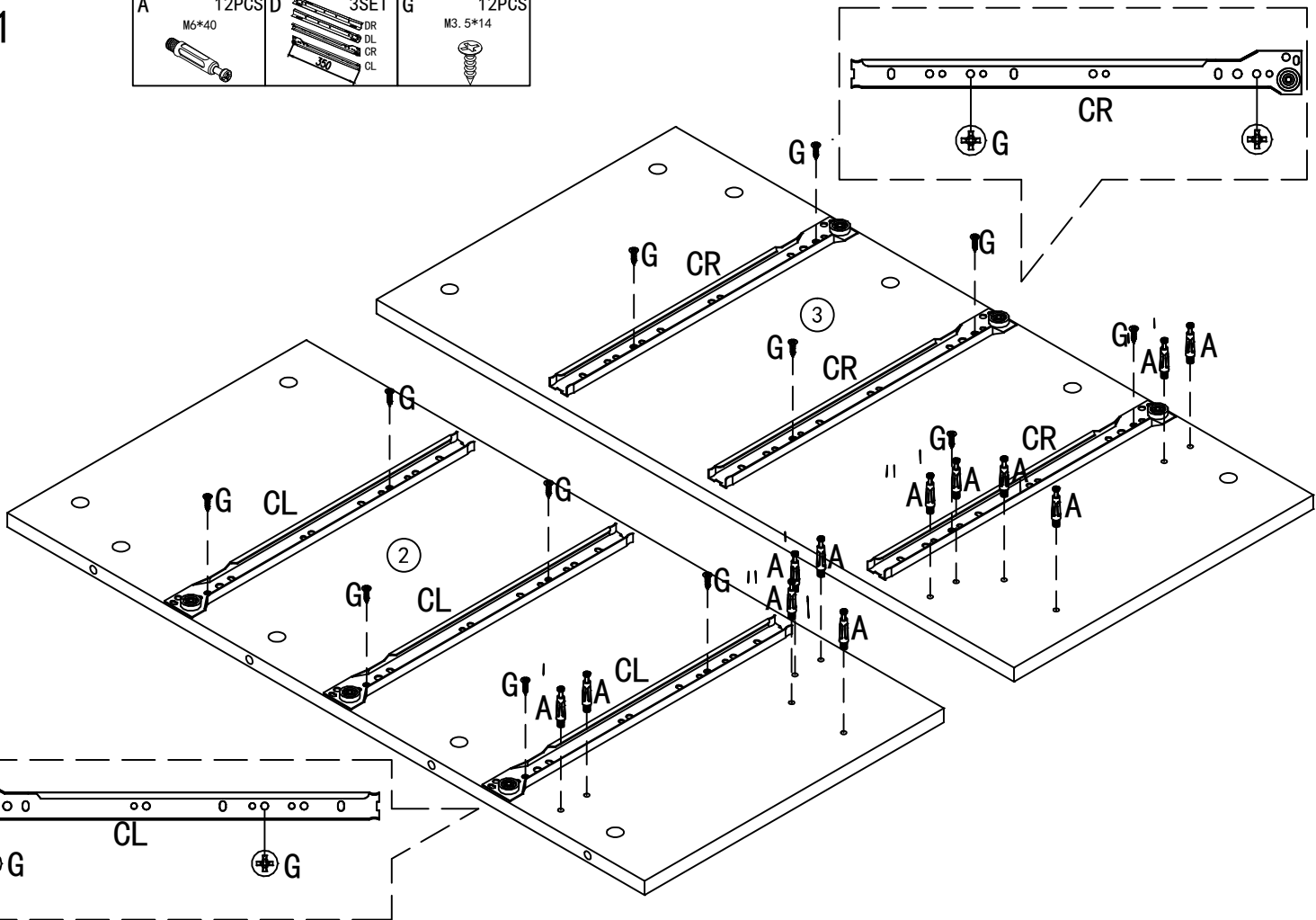
**Ruler** – Use this to measure your screws (mm)




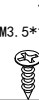
**Important** – Please read these instructions fully before starting assembly

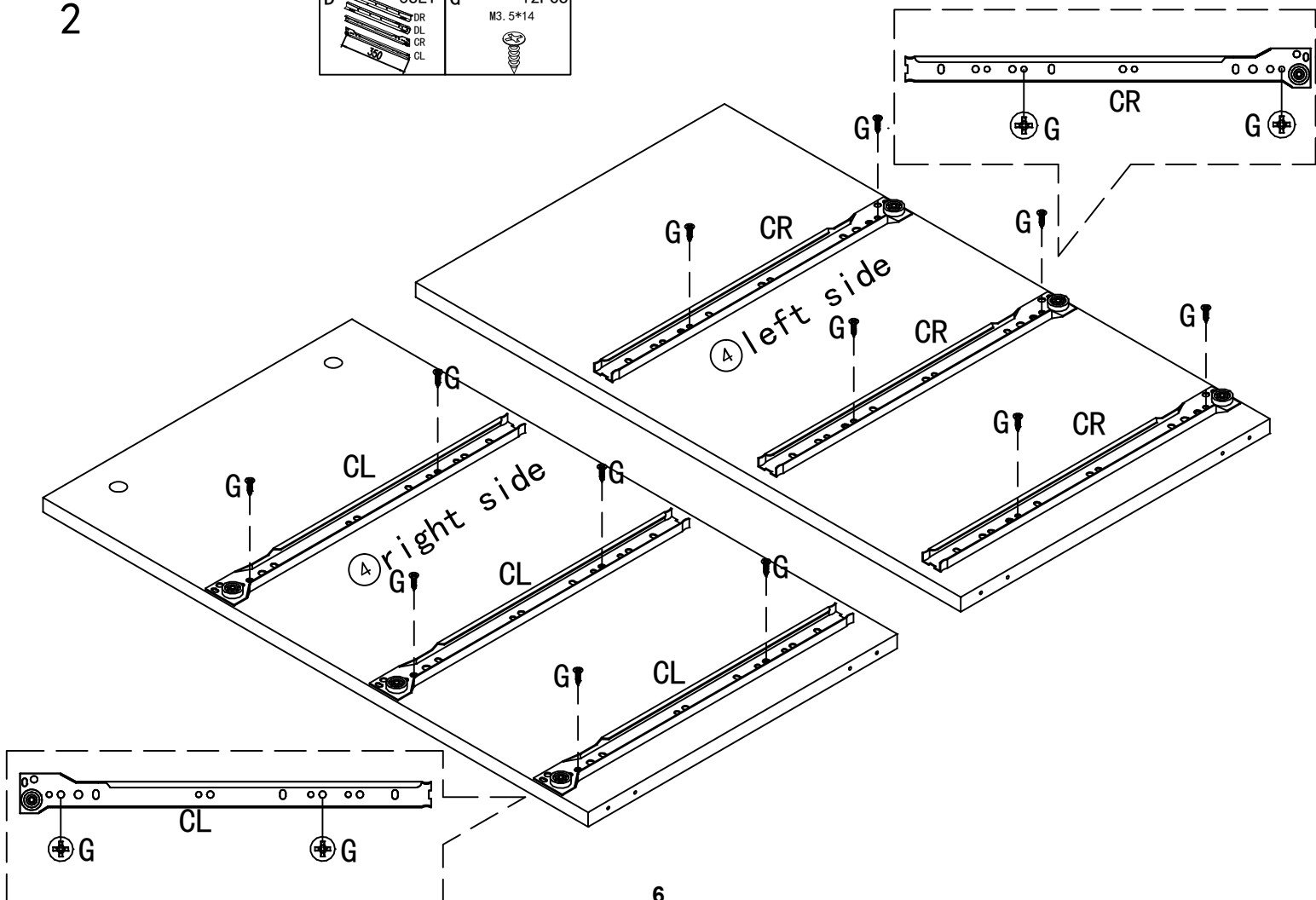
1

<b>A</b> 12PCS 	<b>D</b> 3SET 	<b>G</b> 12PCS 
---	---	---



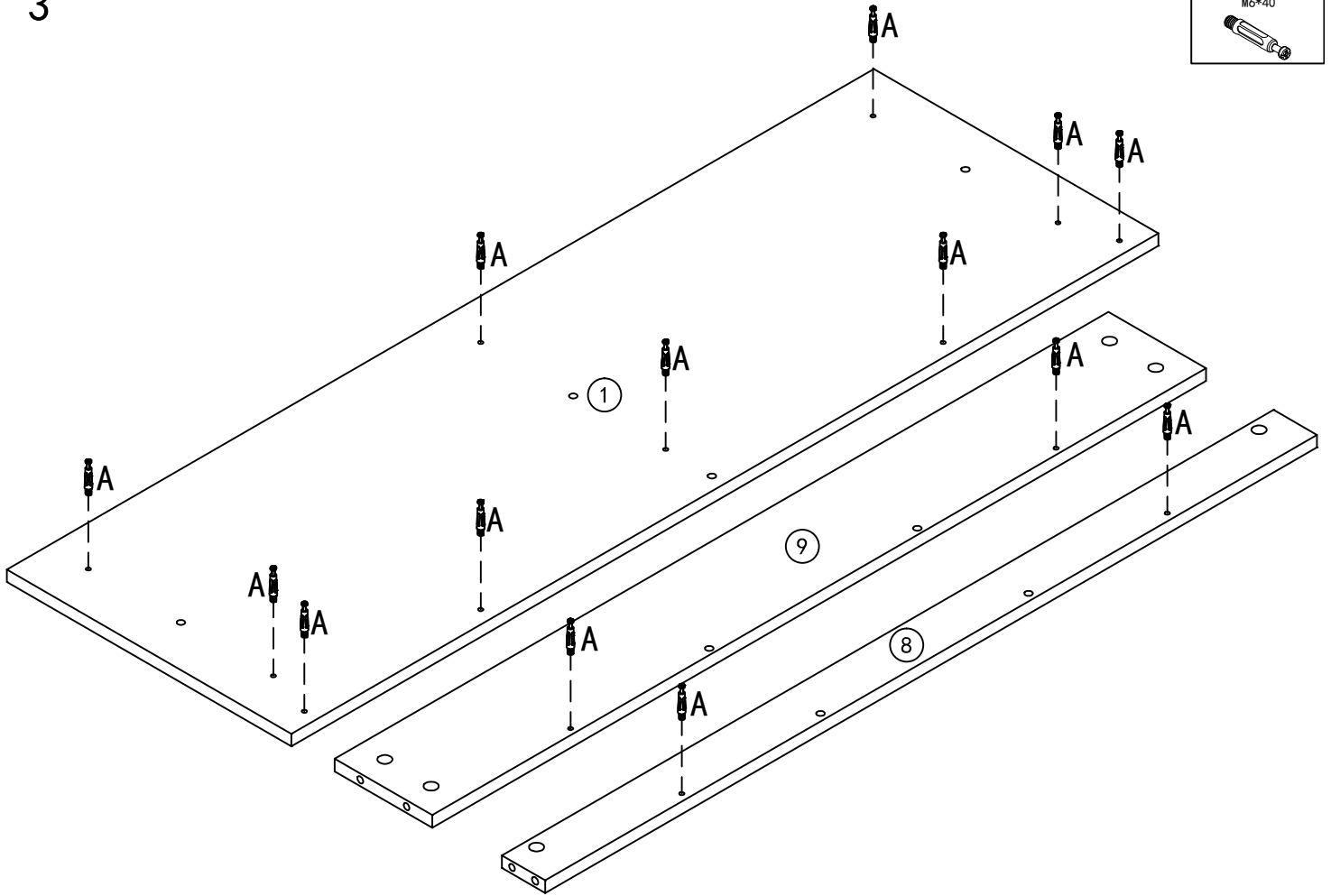
2

<b>D</b> 3SET 	<b>G</b> 12PCS 
--	---





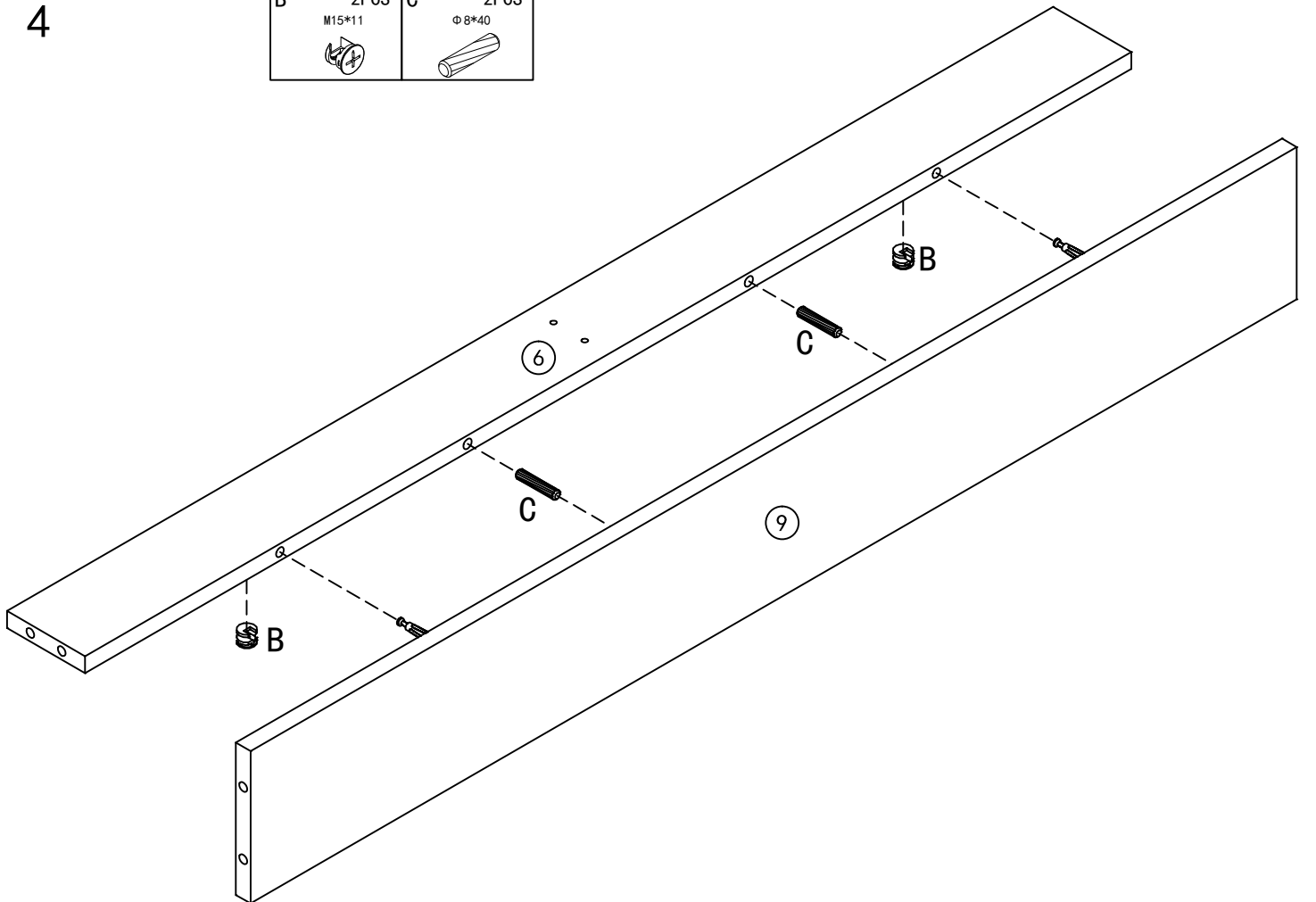
3

A 14PCS  
M6\*40





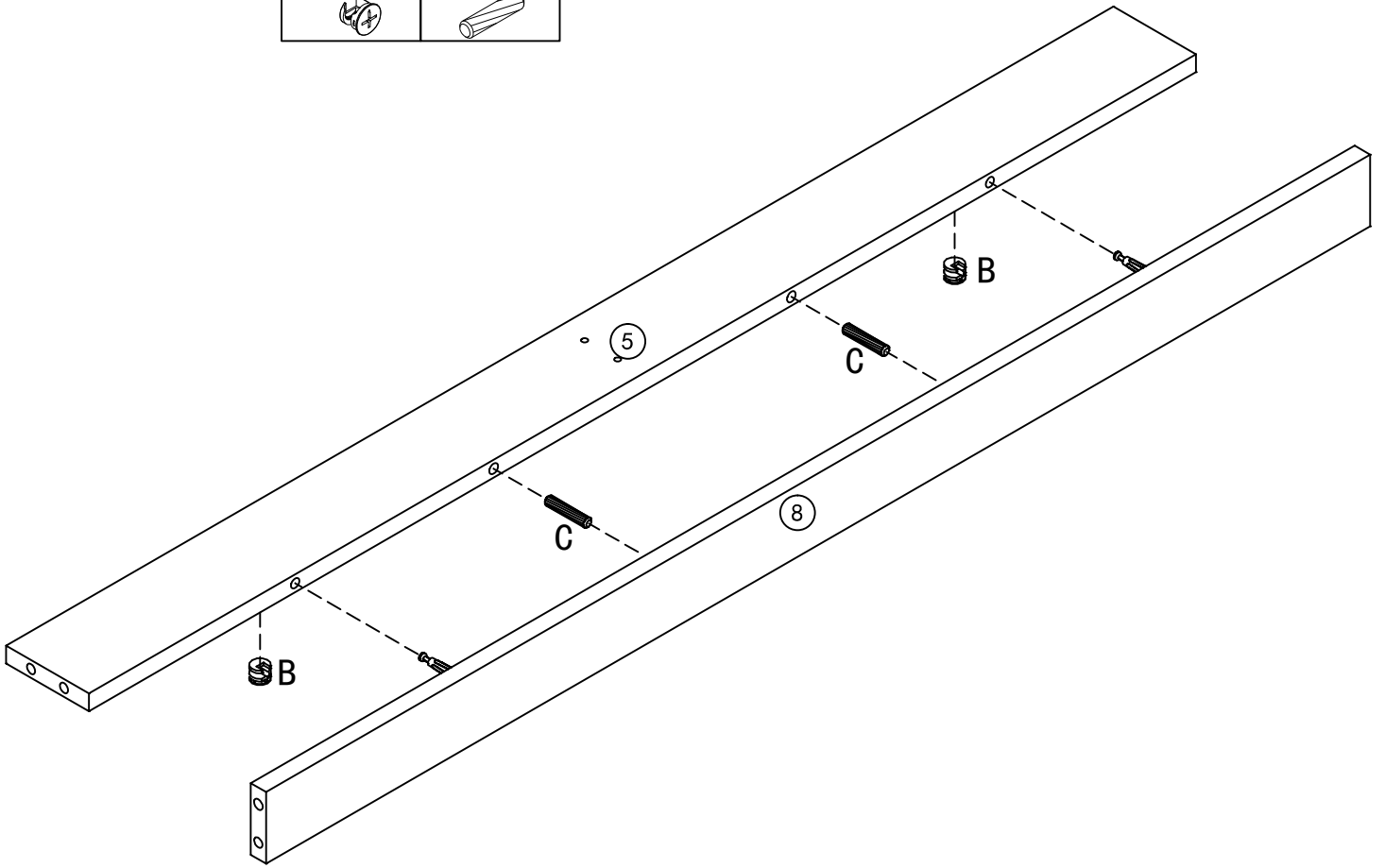
4

B	2PCS	C	2PCS
	M15*11		Φ 8*40
			




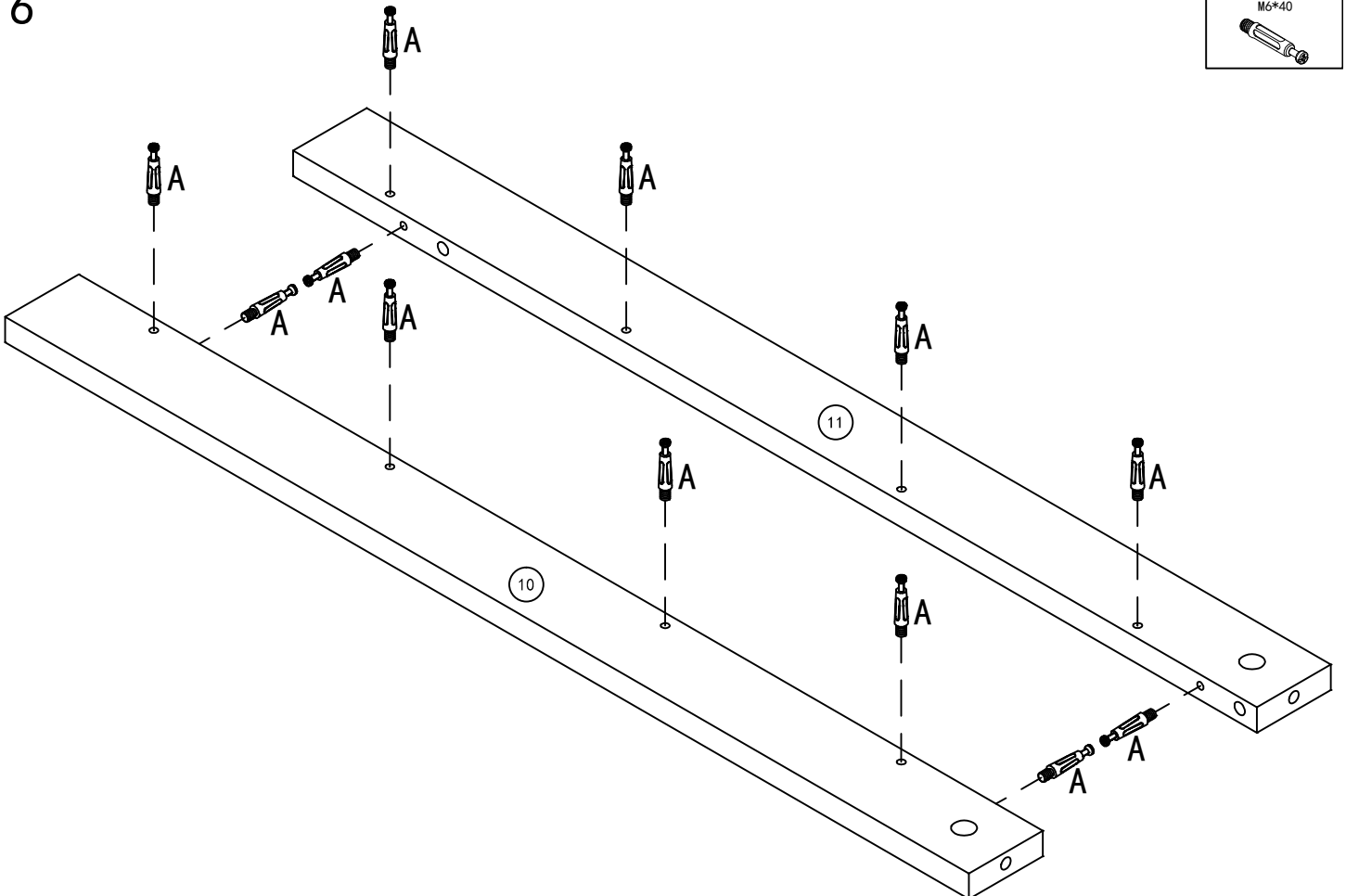
5

<b>B</b>	2PCS	<b>C</b>	2PCS
	M15*11		Φ 8*40
			



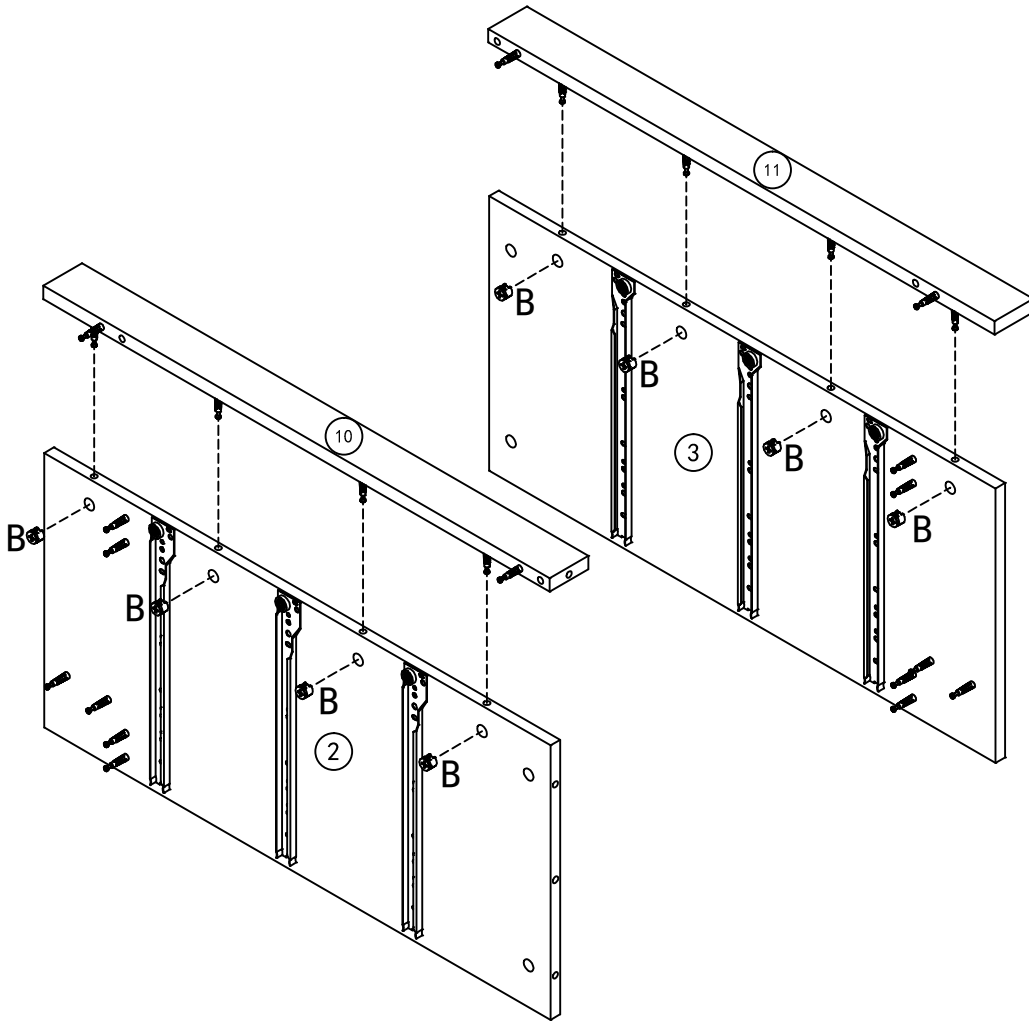
6

<b>A</b>	12PCS
	M6*40
	



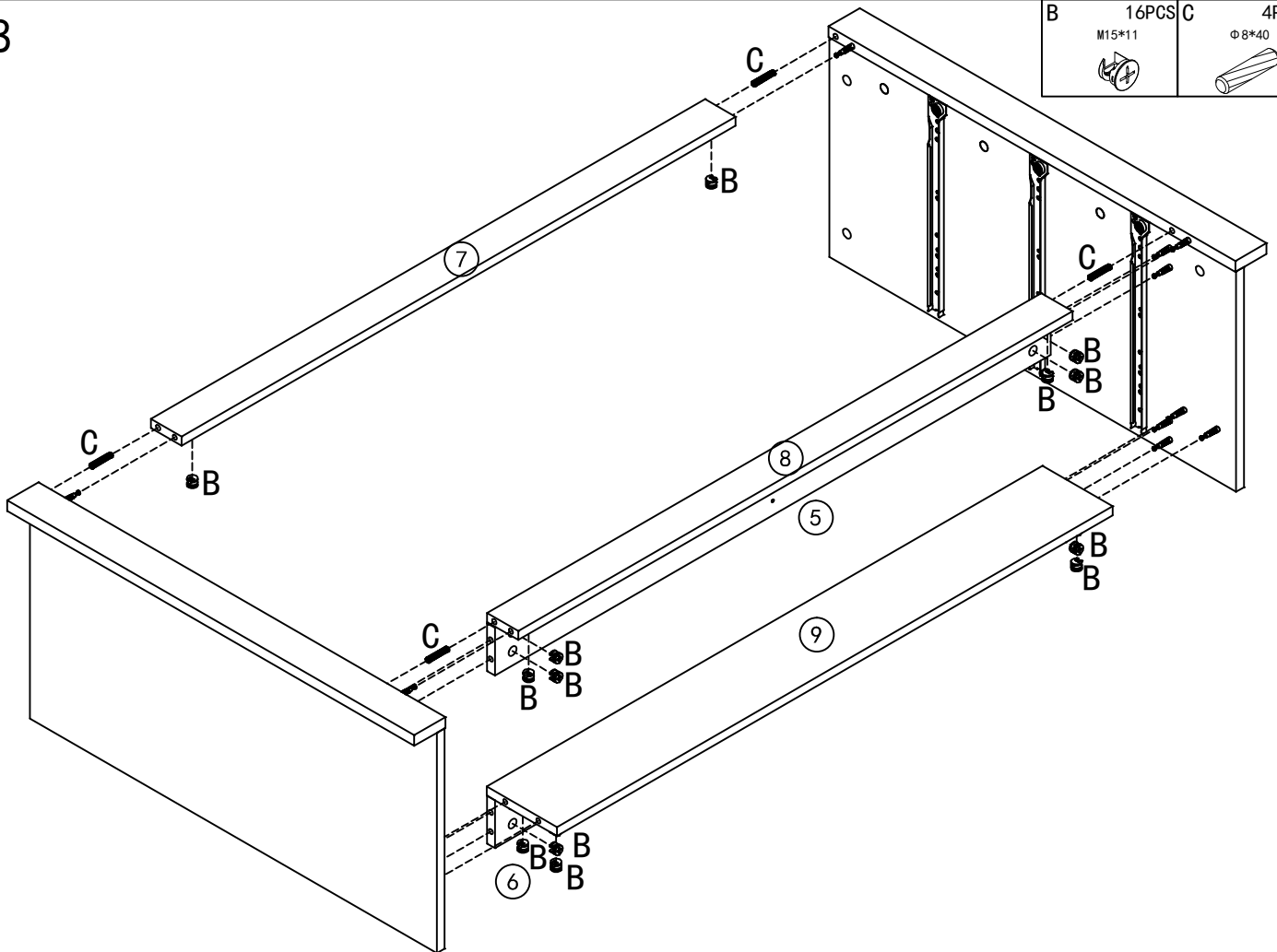
7

B 8PCS  
M15\*11



8

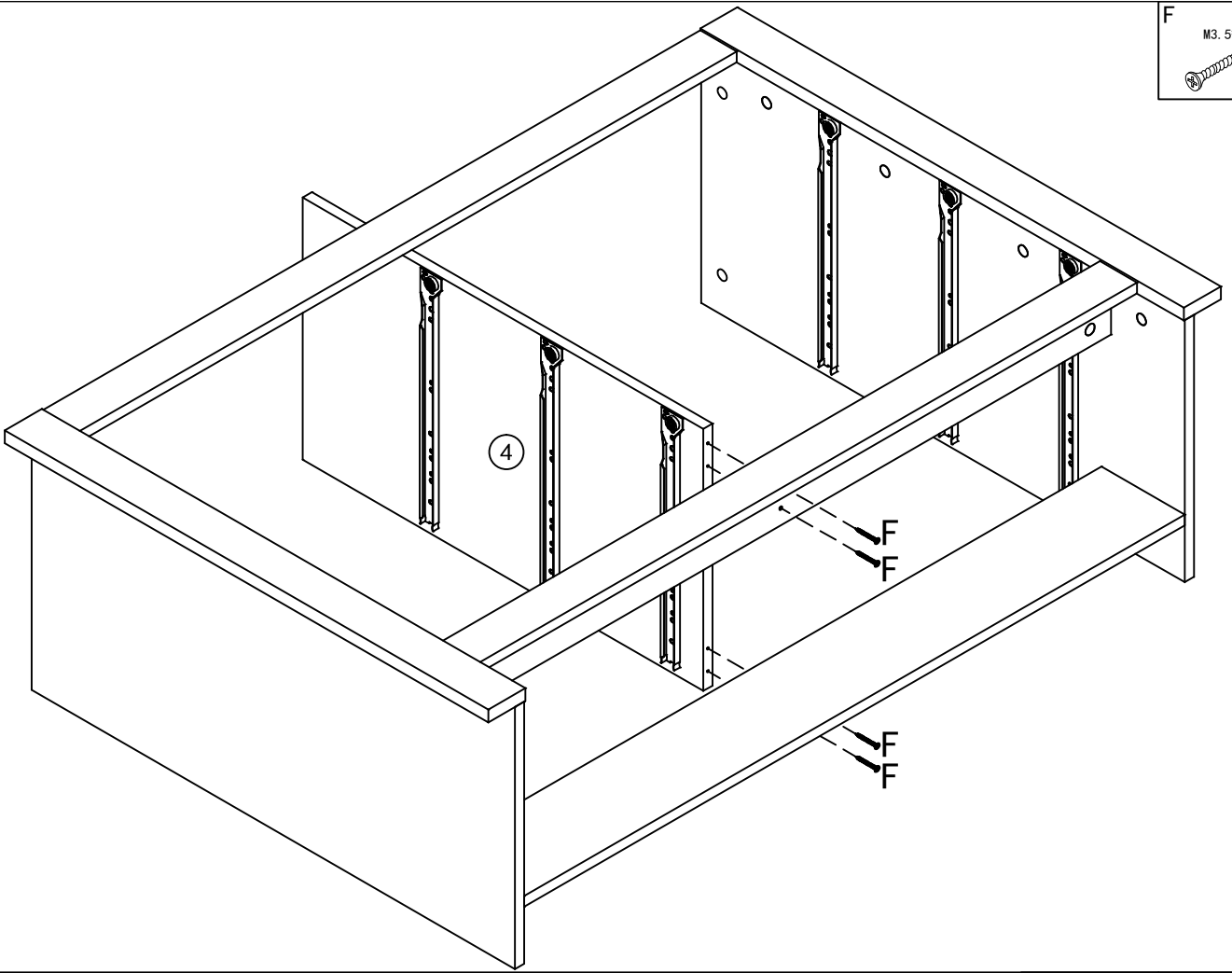

B 16PCS M15\*11  
C 4PCS  $\Phi 8*40$



9

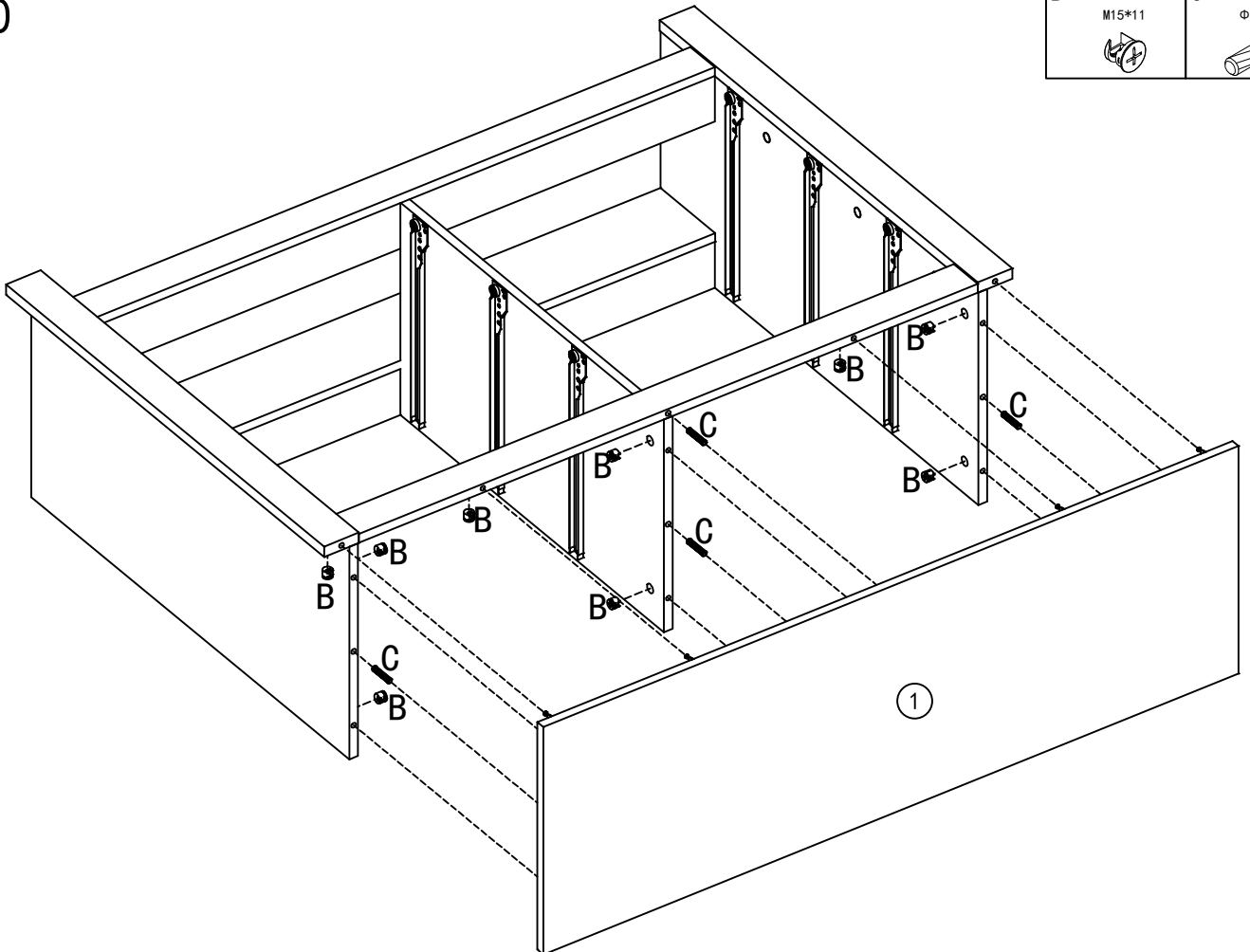


9

F 4PCS  
M3, 5\*35





10

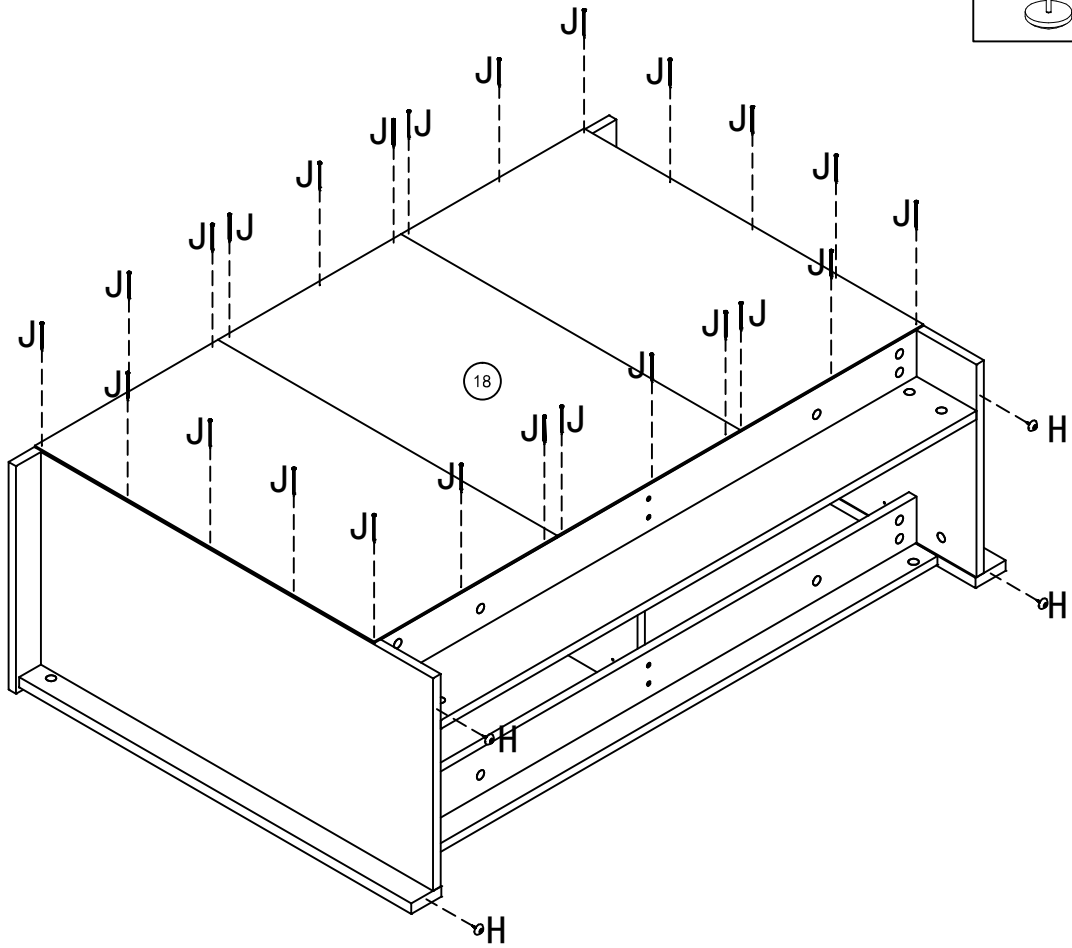
B 10PCS M15\*11  
C 4PCS  $\Phi 8*40$




10

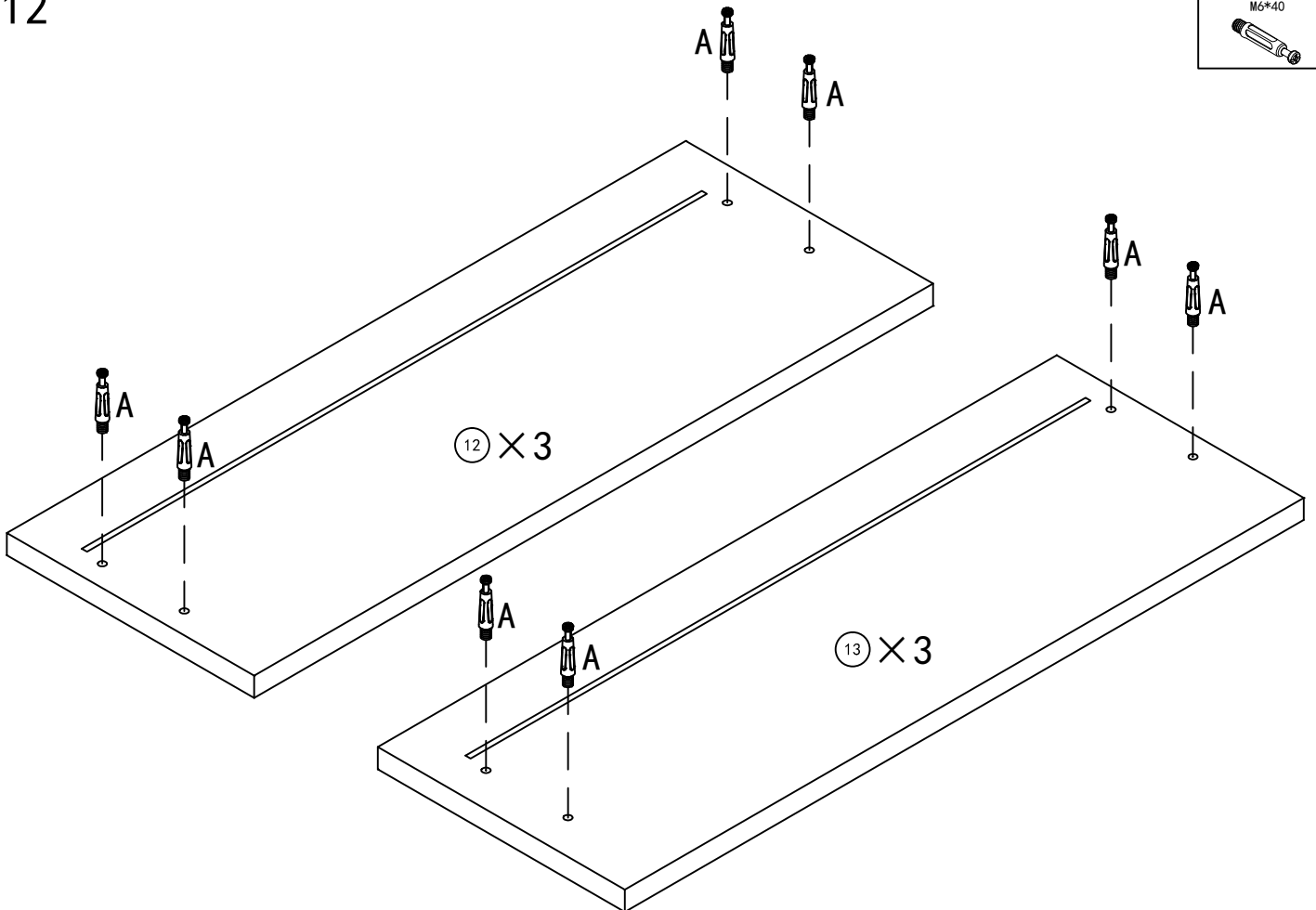
11

H	4PCS	J	26PCS
			



12

A	24PCS
M6*40	
	



<b>B</b> 24PCS M15*11 	<b>D</b> 3SET DR DL GR CL 	<b>E</b> 6PCS 
<b>F</b> 24PCS M3.5*35 	<b>G</b> 24PCS M3.5*14 	

