



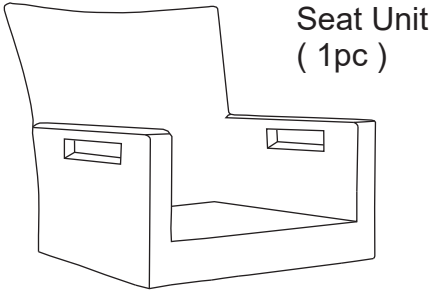
# Arm Chair

**Assembly Instructions & Care:**

Please assemble on soft surface after removing contents as not to scratch or damage parts. Enjoy!

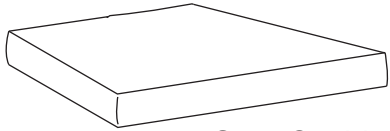
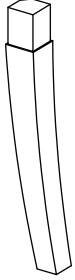
CHAIR ASSEMBLY INSTRUCTIONS

Item	Description	Q'ty
A	 Bolt	08
B	 Allen Key	02



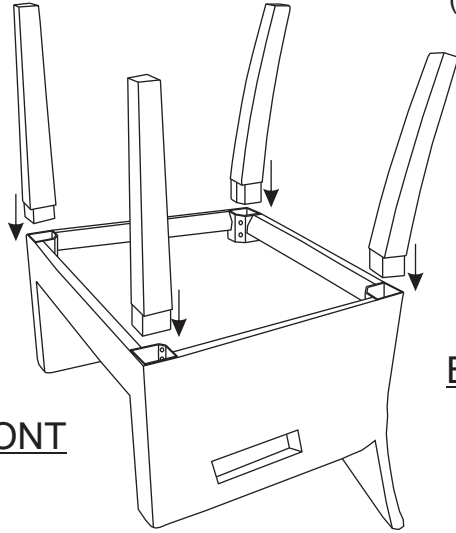
Front legs  
( 2pcs )

Back legs  
( 2pcs )

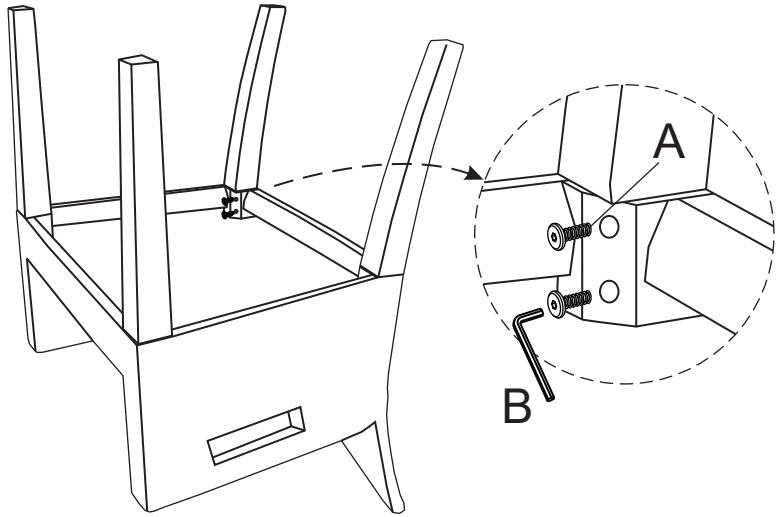


Seat Cushion  
( 1pc )

**STEP 1** •Put the front legs and back legs into given holes.  
•Tap gently with rubber mallet or small hammer.  
(if needed)



**STEP 2** •Fasten (8) "A" Bolts.



**STEP 3** •Enjoy!

