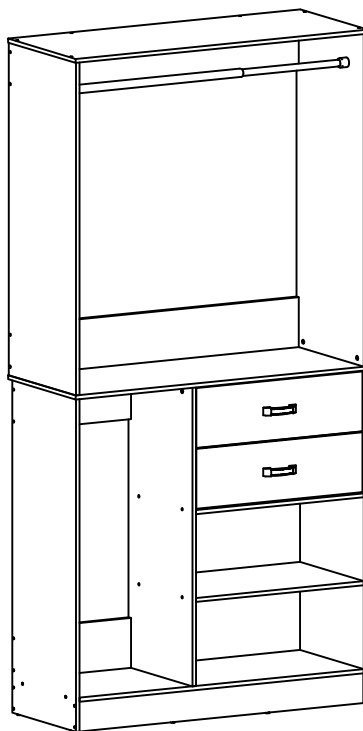


Closet System with Cabinet Space

Assembly Instructions

AC-CLOSETC_V1.0



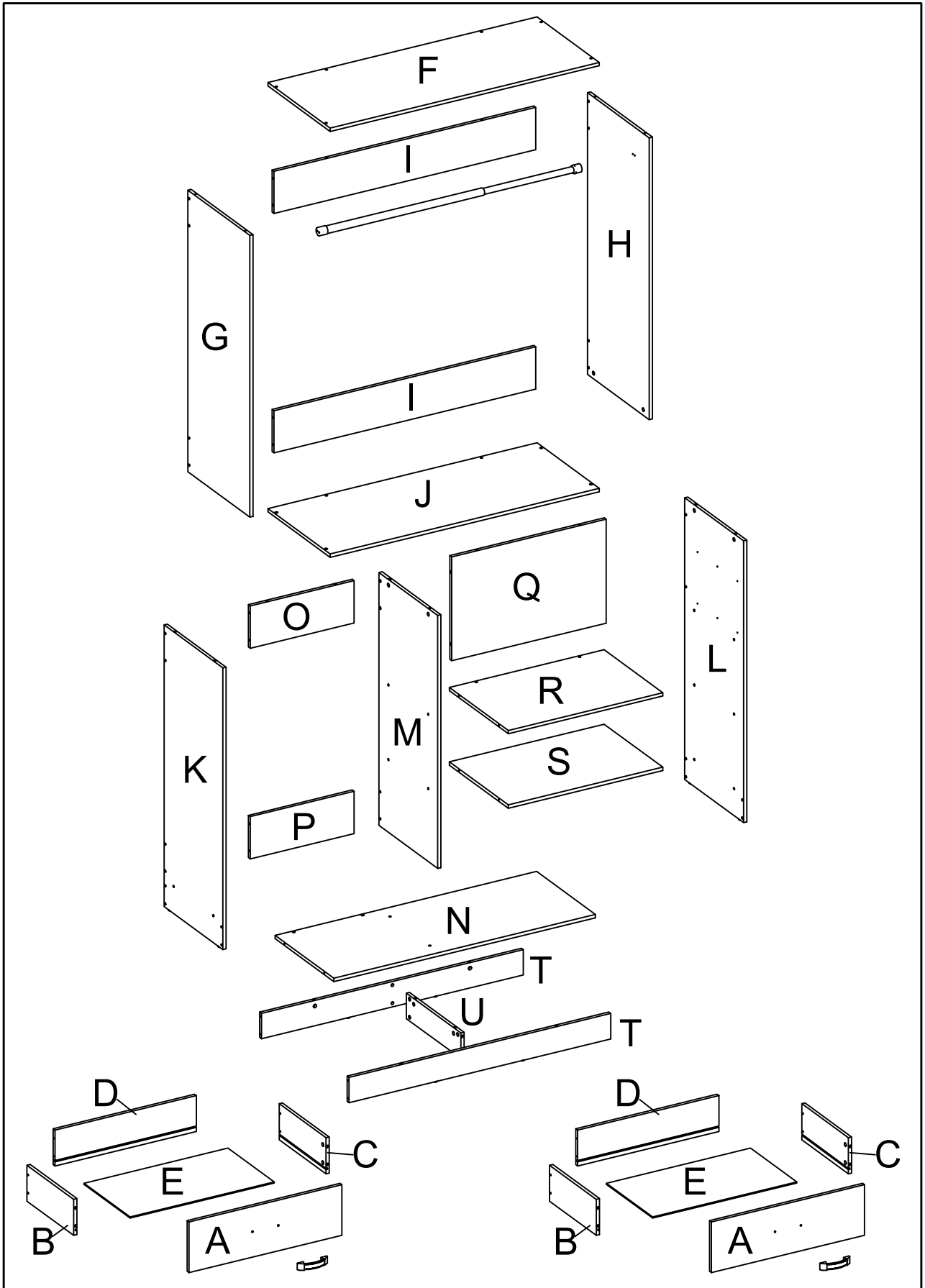
Attention: Please ensure you have all parts before commencing assembly.
Please read all the instructions before commencing.

Have problems when installing or missing parts?

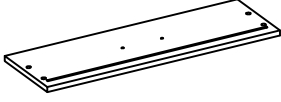
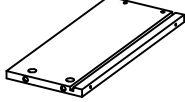
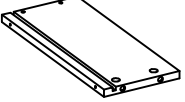


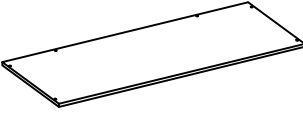
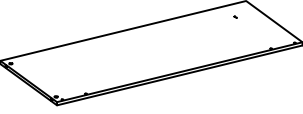
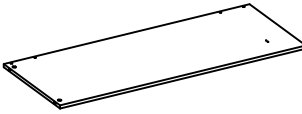

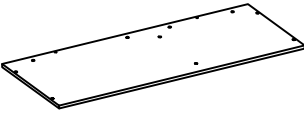

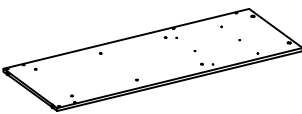
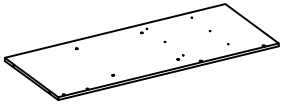
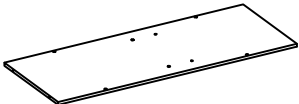
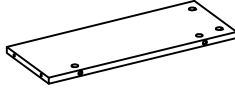
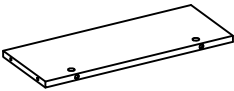
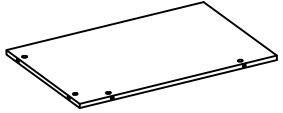
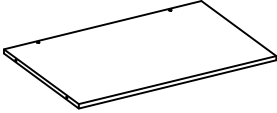
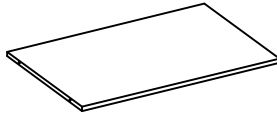

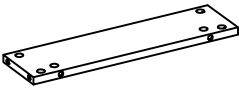
How to find us?

 **bettersp@hotmail.com**

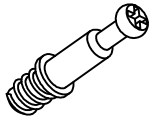
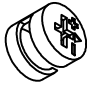
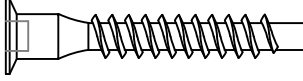

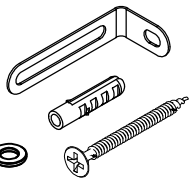
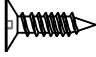





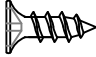
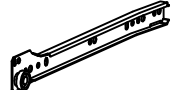
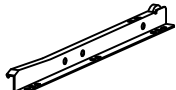
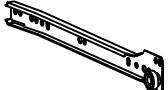
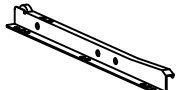
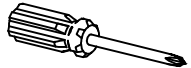

PART LIST



PART LIST

| | | | |
|---|---|--|--|
| <p>A x 2pcs</p>  | <p>B x 2pcs</p>  | <p>C x 2pcs</p>  | <p>D x 2pcs</p>  |
| <p>E x 2pcs</p>  | <p>F x 1pc</p>  | <p>G x 1pc</p>  | <p>H x 1pc</p>  |
| <p>I x 2pcs</p>  | <p>J x 1pc</p>  | <p>K x 1pc</p>  | <p>L x 1pc</p>  |
| <p>M x 1pc</p>  | <p>N x 1pc</p>  | <p>O x 1pc</p>  | <p>P x 1pc</p>  |
| <p>Q x 1pc</p>  | <p>R x 1pc</p>  | <p>S x 1pc</p>  | <p>T x 2pcs</p>  |
| <p>U x 1pc</p>  | | | |

HARDWARE LIST

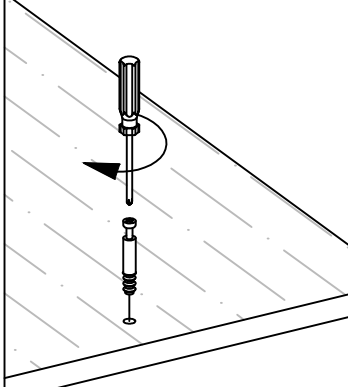
| | | | |
|--|---|--|---|
| <p>①</p>  <p>M6x28 38 pcs</p> | <p>②</p>  <p>Ø12 38 pcs</p> | <p>③</p>  <p>M6x40 48 pcs</p> | <p>④</p>  <p>M4x30 8 pcs</p> |
| <p>⑤</p>  <p>M4x40 2 pcs</p> | <p>⑥</p>  <p>M3x12 24 pcs</p> | <p>⑦</p>  <p>2 pcs</p> | <p>⑧</p>  <p>M4x15 4 pcs</p> |
| <p>⑨</p>  <p>66-122cm 1 pc</p> | <p>⑩</p>  <p>1 pc</p> | <p>⑪</p>  <p>1 pc</p> | <p>⑫</p>  <p>M4x12 4 pcs</p> |
| <p>⑬</p>  <p>300L 2 pcs</p> | <p>⑭</p>  <p>300L 2 pcs</p> | <p>⑮</p>  <p>300L 2 pcs</p> | <p>⑯</p>  <p>300L 2 pcs</p> |
| <p>⑰</p>  <p>1 pc</p> | <p>⑱</p>  <p>M4 1 pc</p> | | |

Please count and verify all parts before assembly .

How to install Camlocks

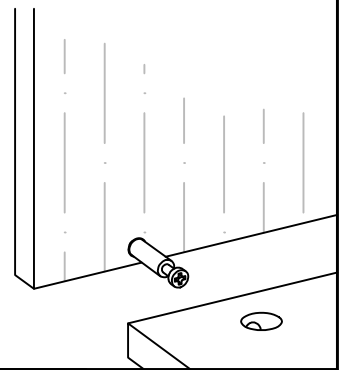
Connect the male camlock as directed in the assembly instructions with a screwdriver.

1 DO NOT OVER TIGHTEN



Put the male camlock into the entry hole.

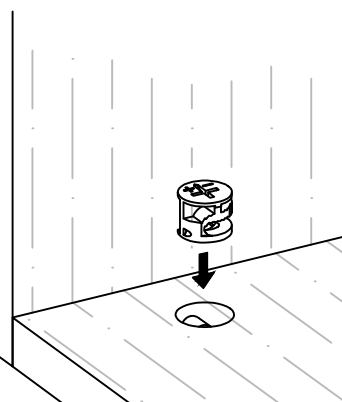
2



Insert the female camlock as shown in the instruction.

Note: ensure that the arrow on the top of the camlock points toward the entry hole for the male camlock.

3

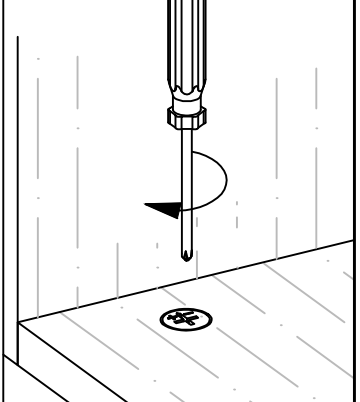


Screw the female camlock clockwise with a screwdriver.

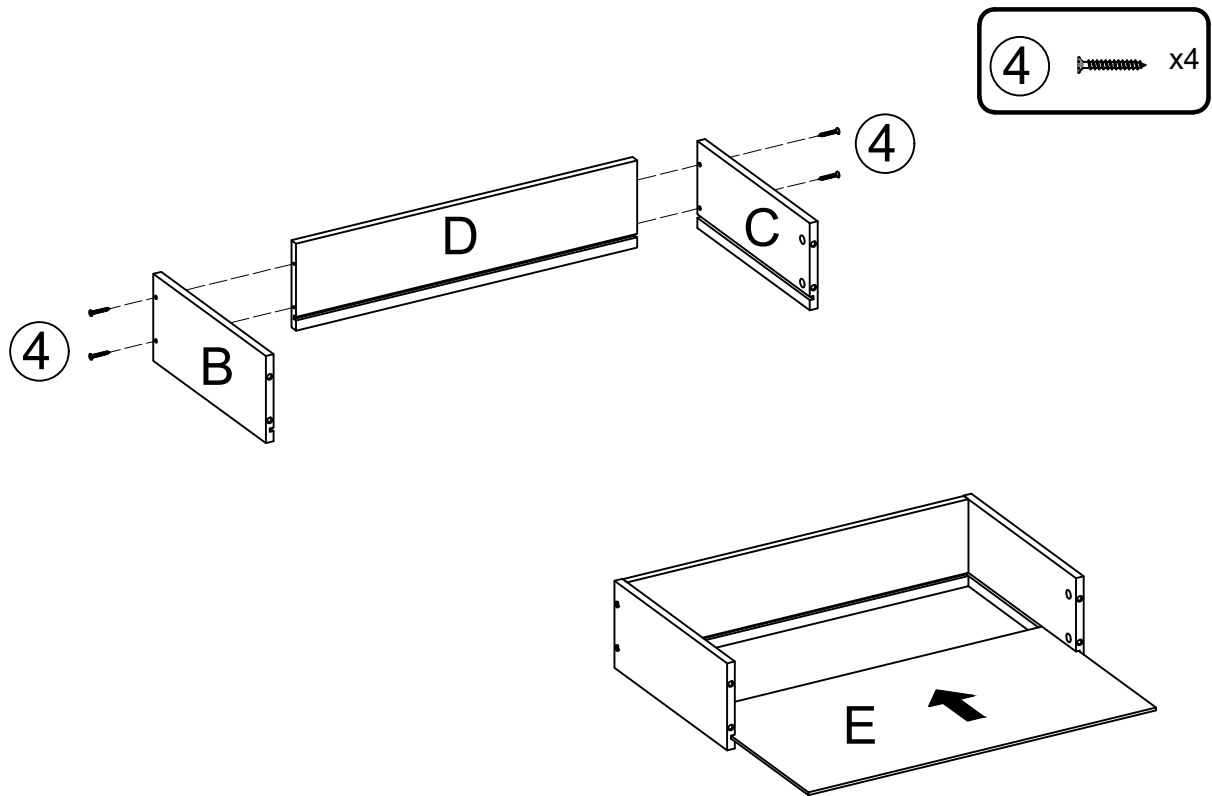
You will feel a click when the camlock is locked in place.

The camlock is now completed.

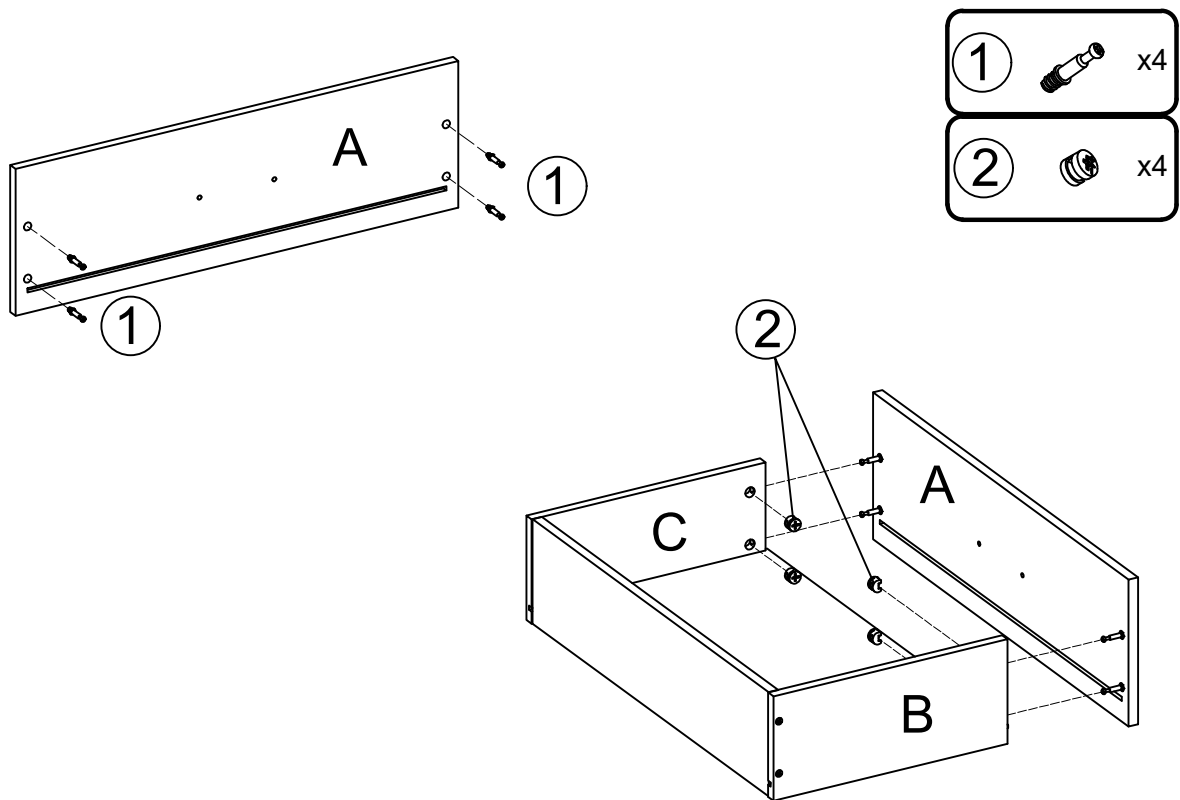
4



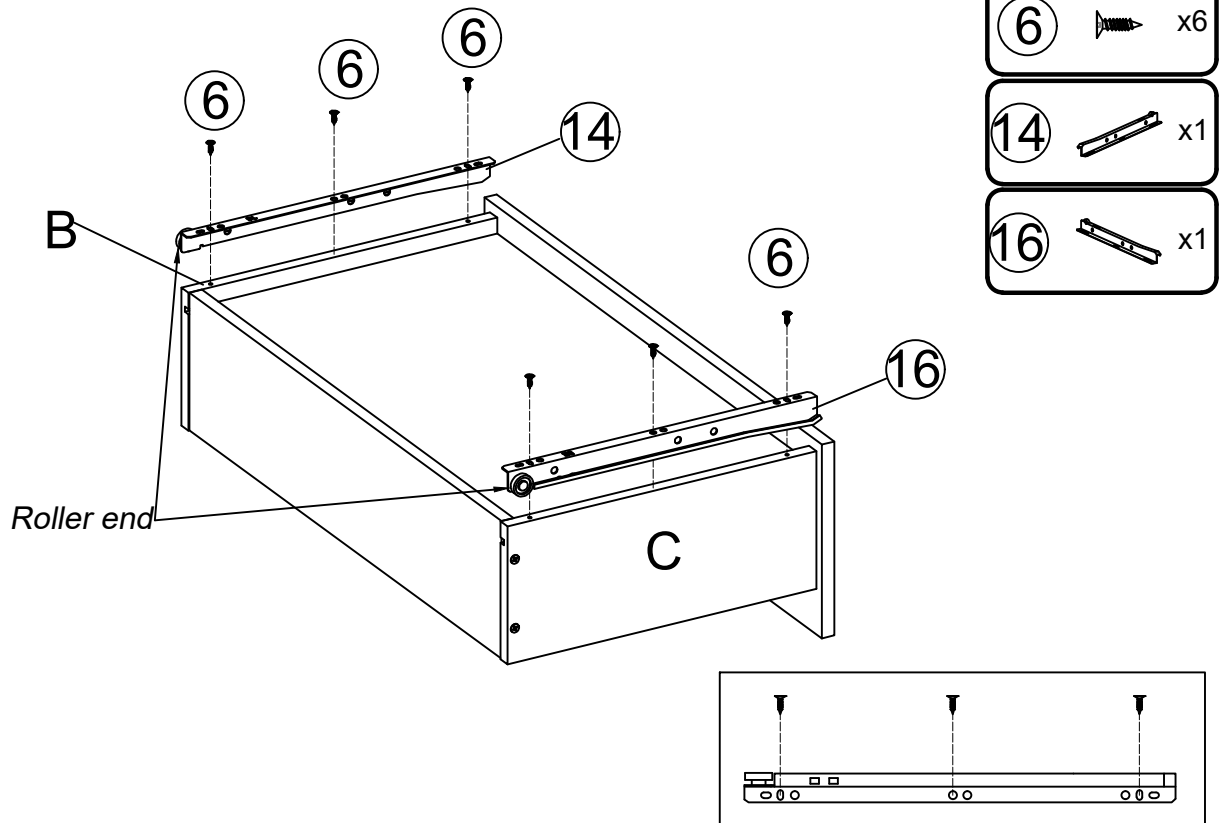
STEP 1



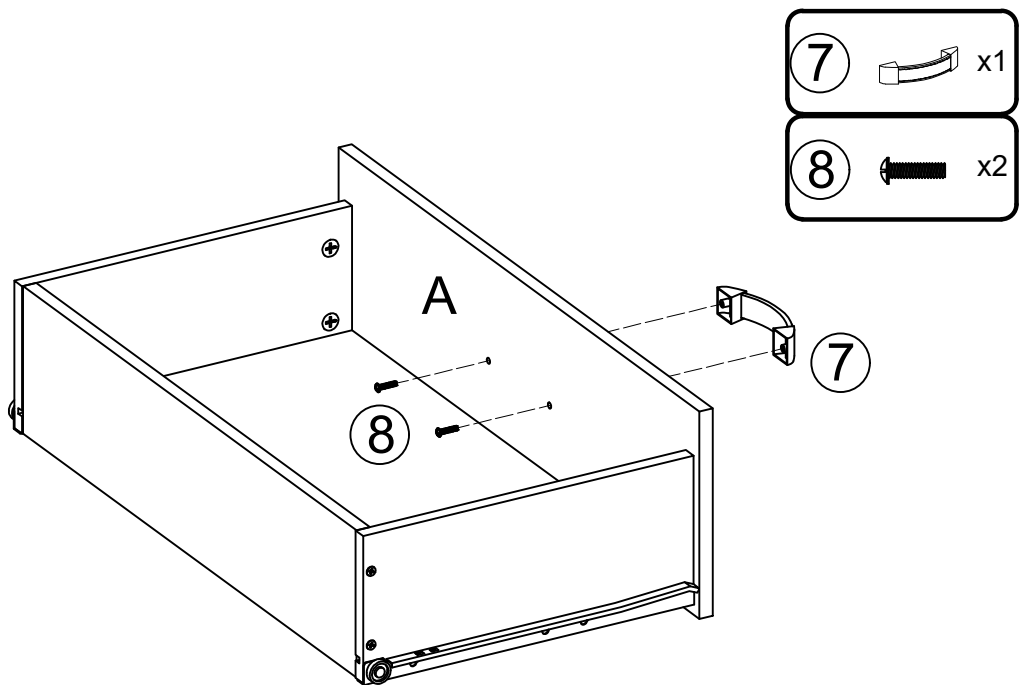
STEP 2



STEP 3

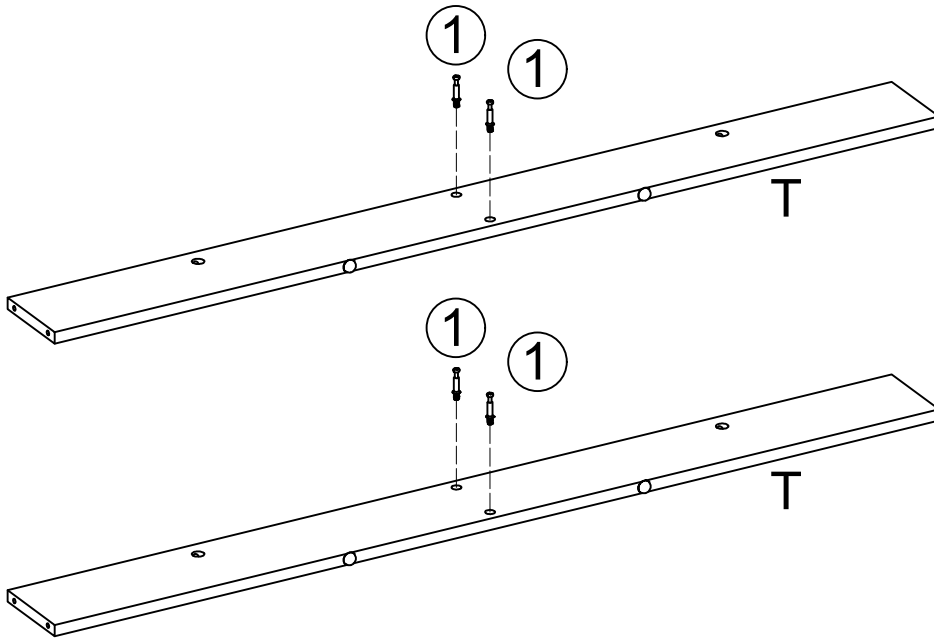
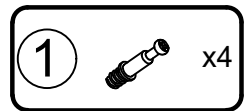


STEP 4

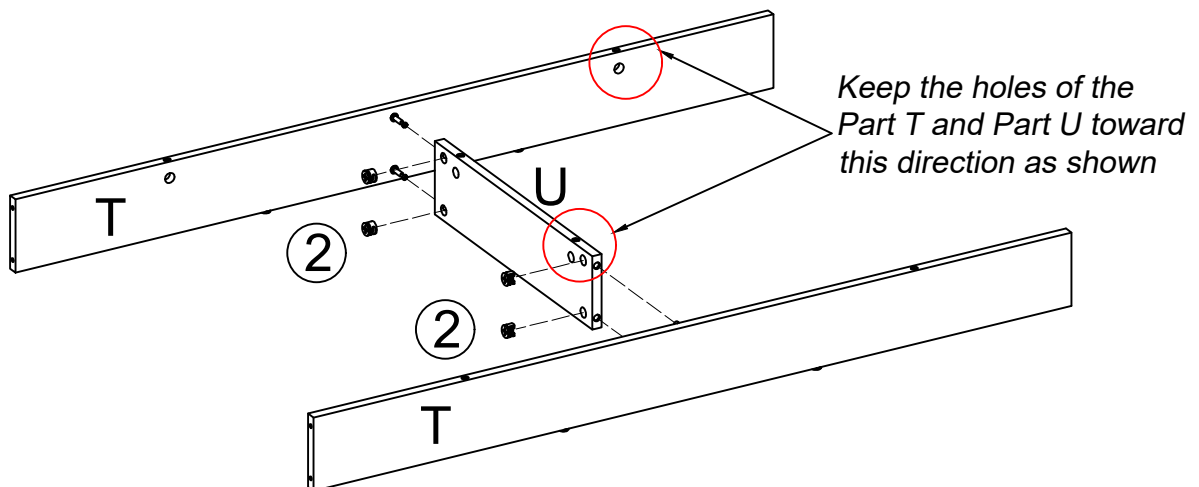
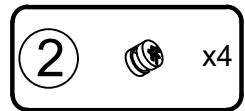


NOTICE:
The installation for all the two drawers is base on the four steps above.


STEP 5

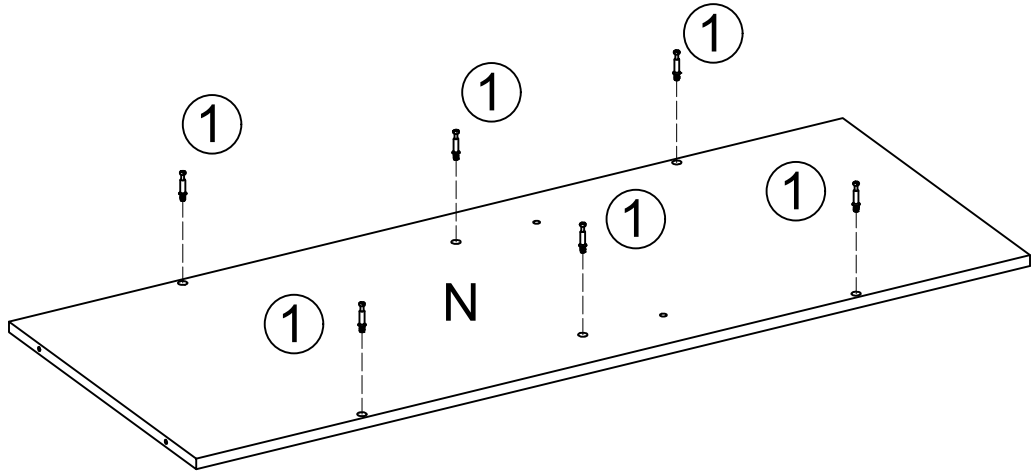


STEP 6




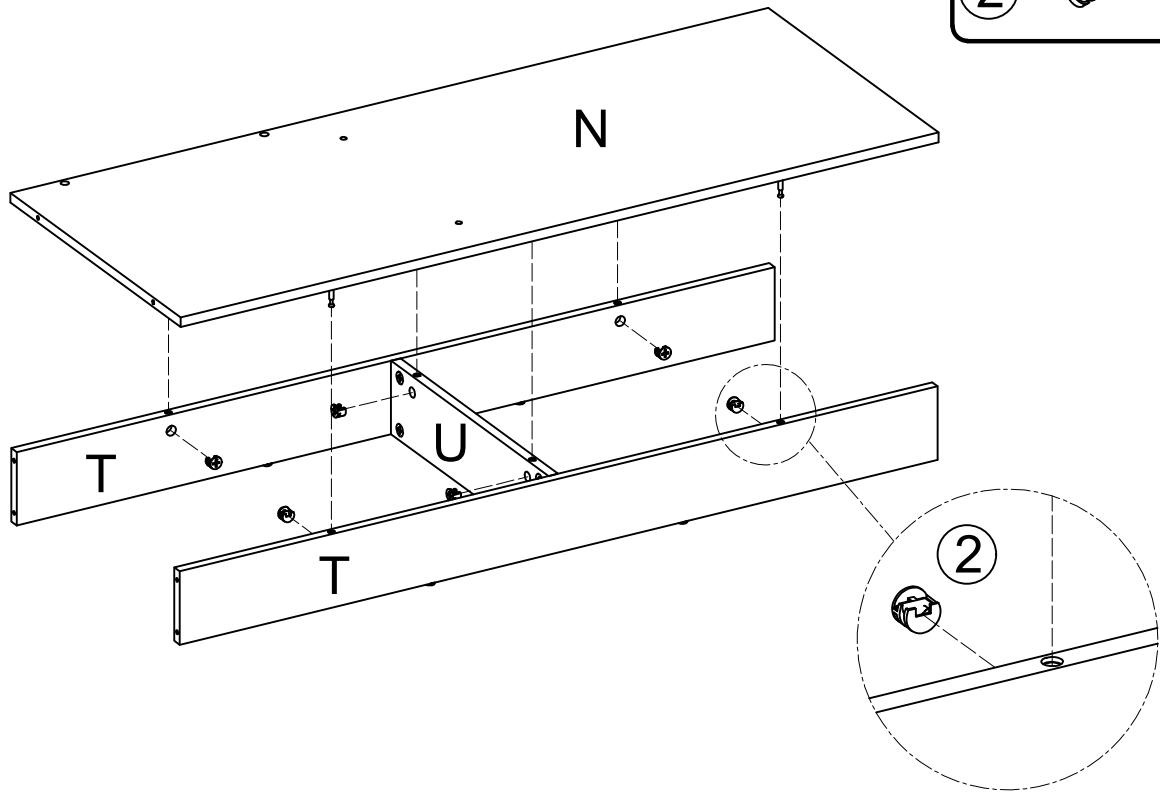
STEP 7

1  x6

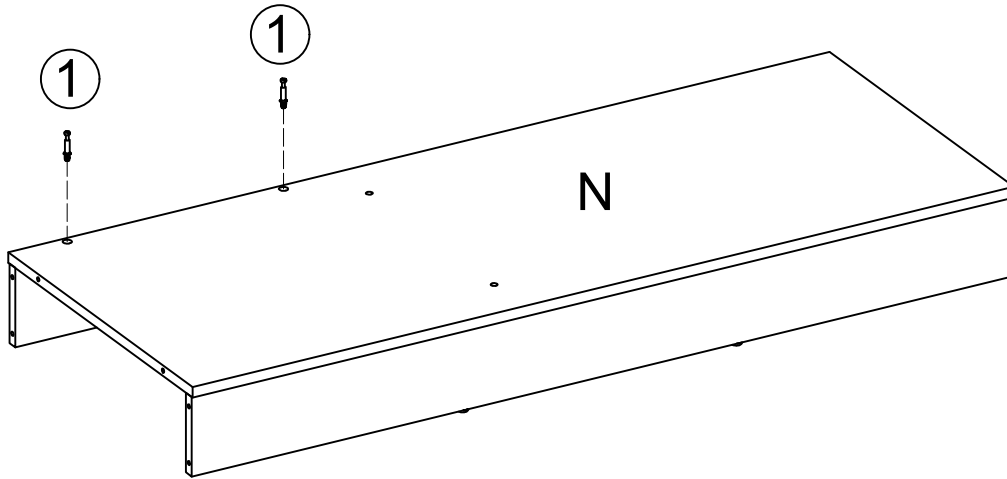
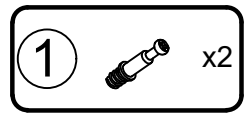


STEP 8

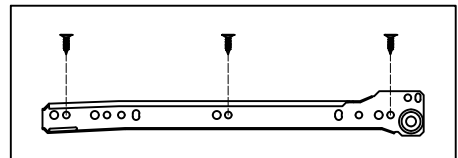
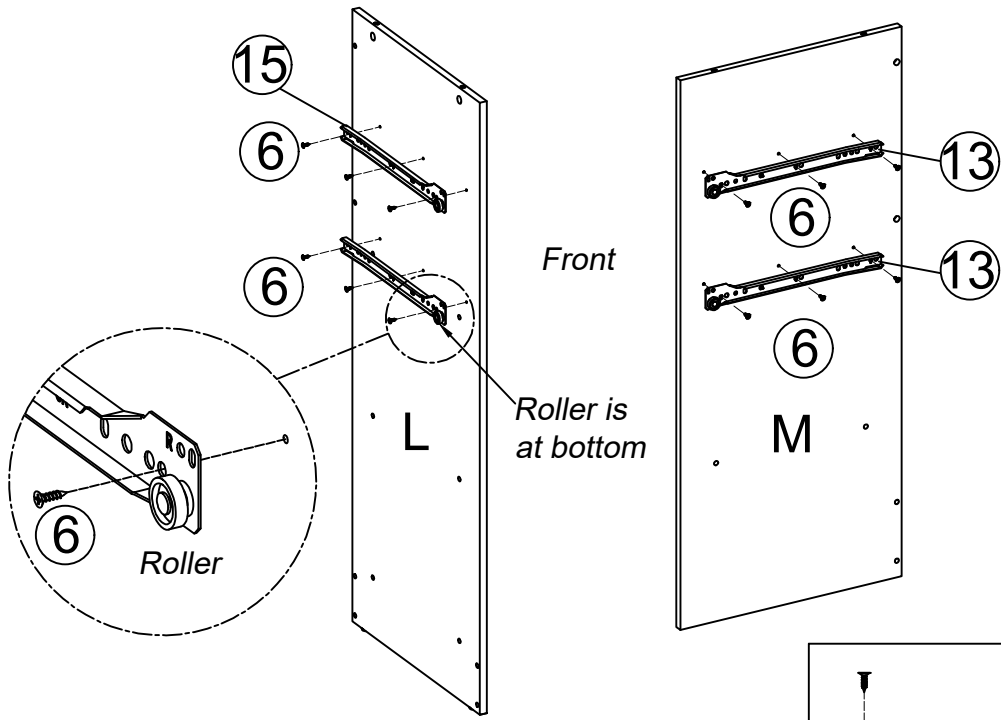
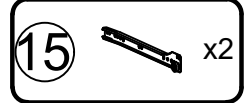
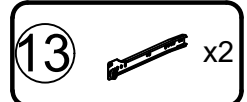
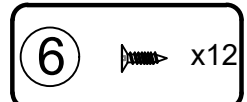
2  x6



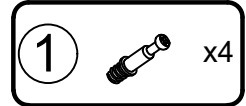
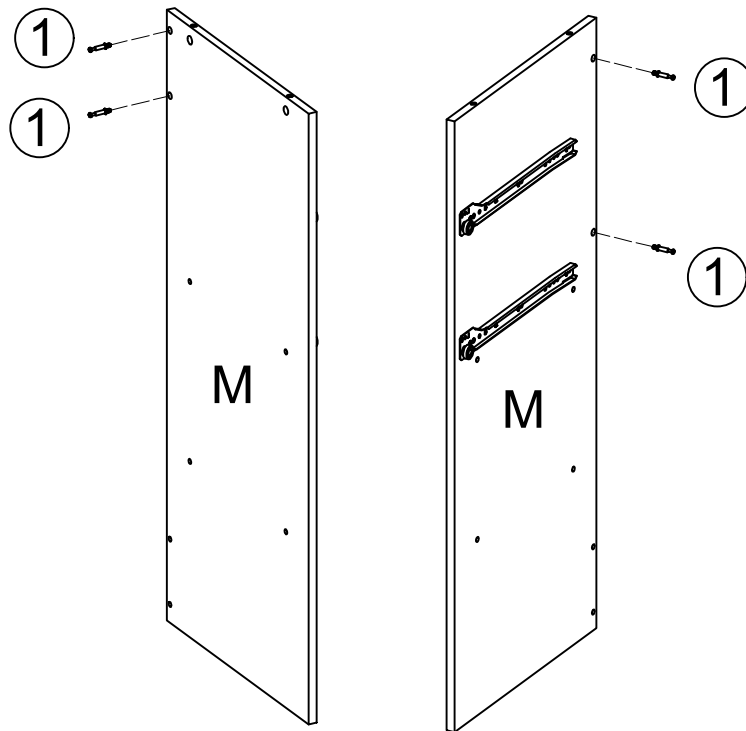
STEP 9



STEP 10

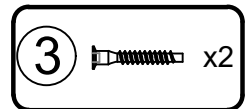
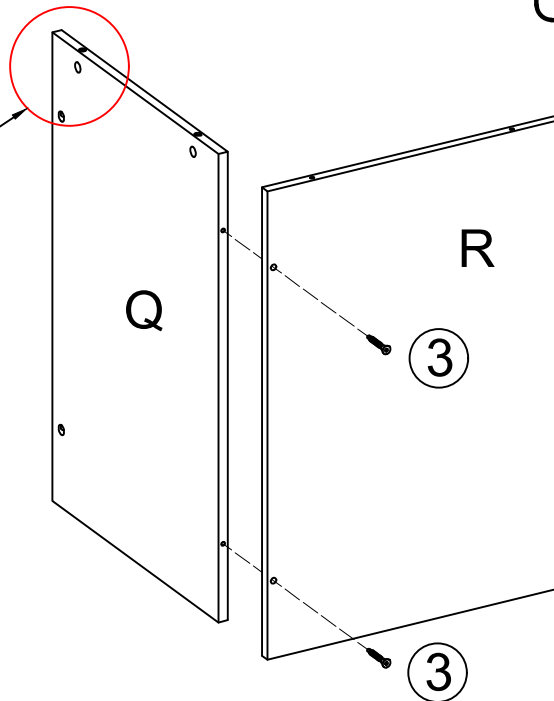


STEP 11

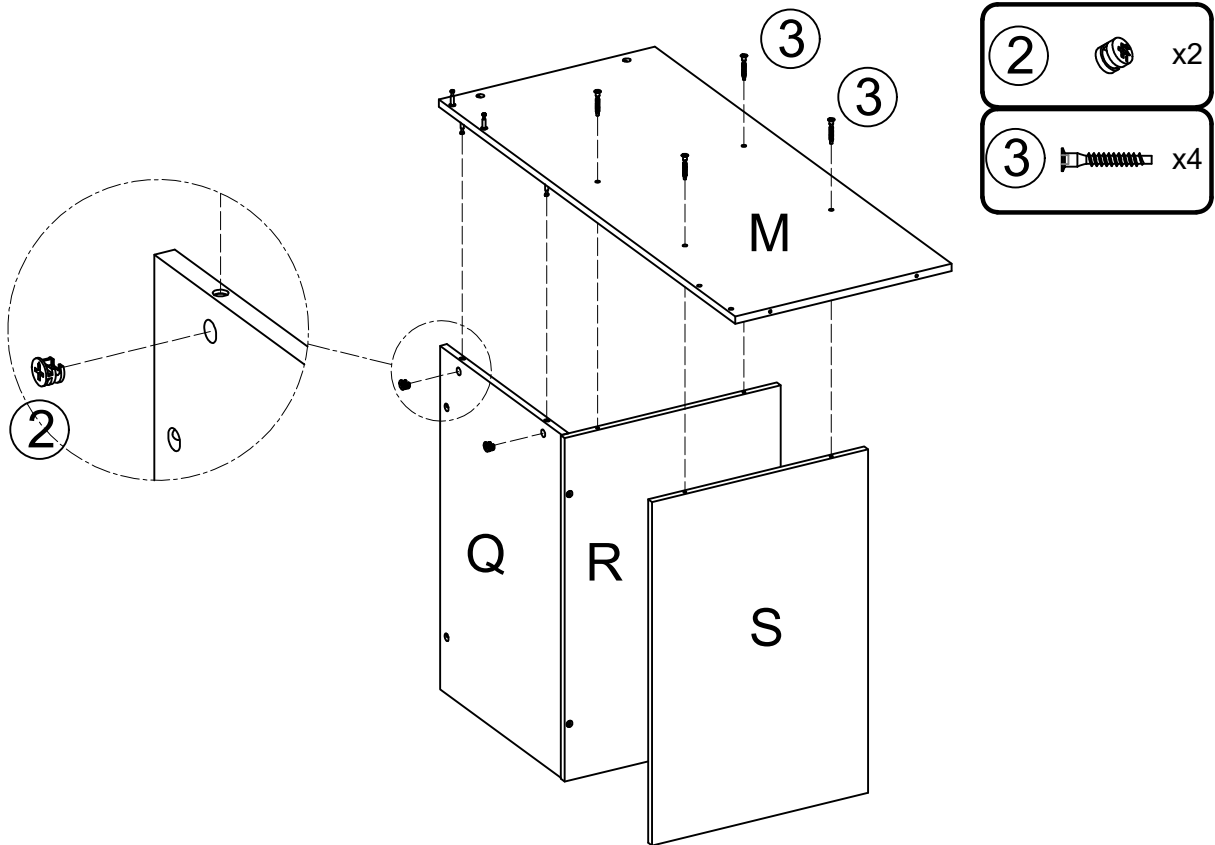


STEP 12

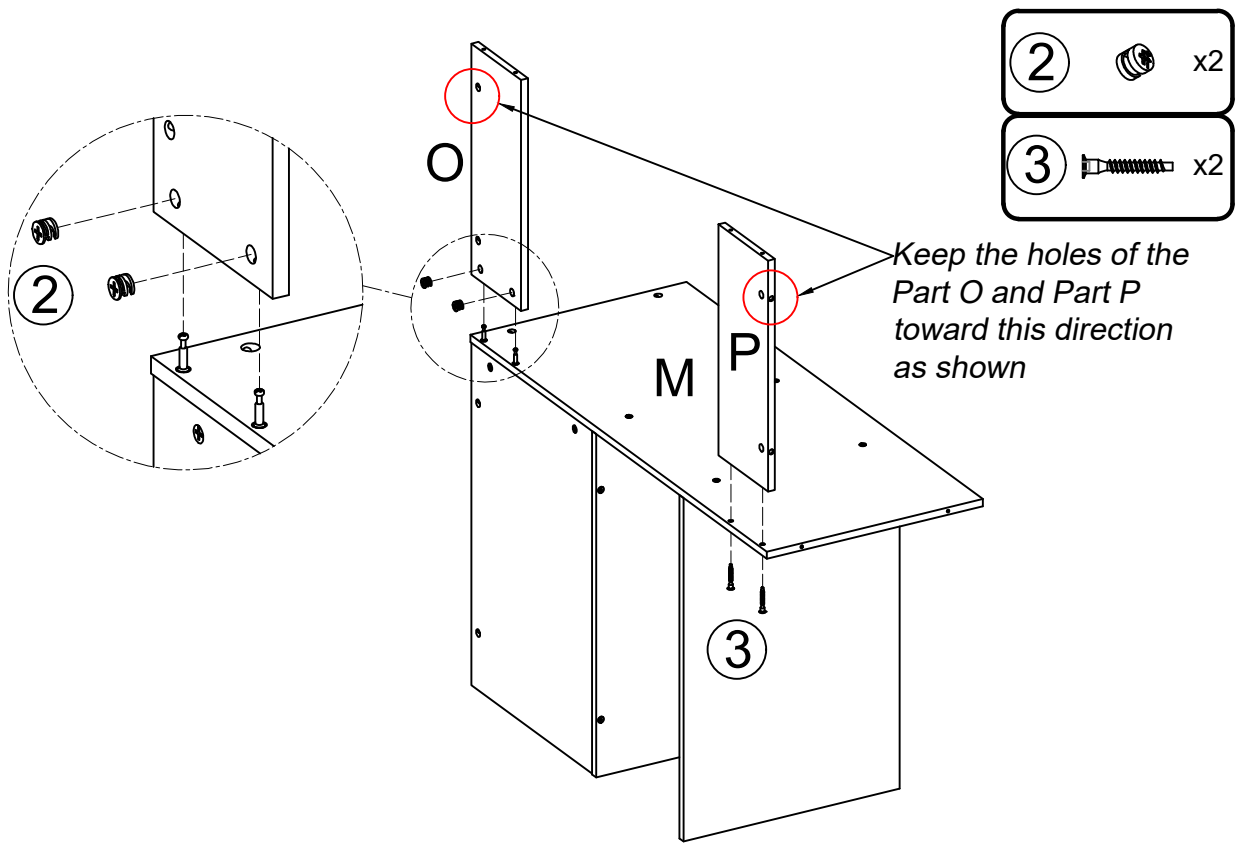
Keep the holes of the Part Q toward this direction as shown



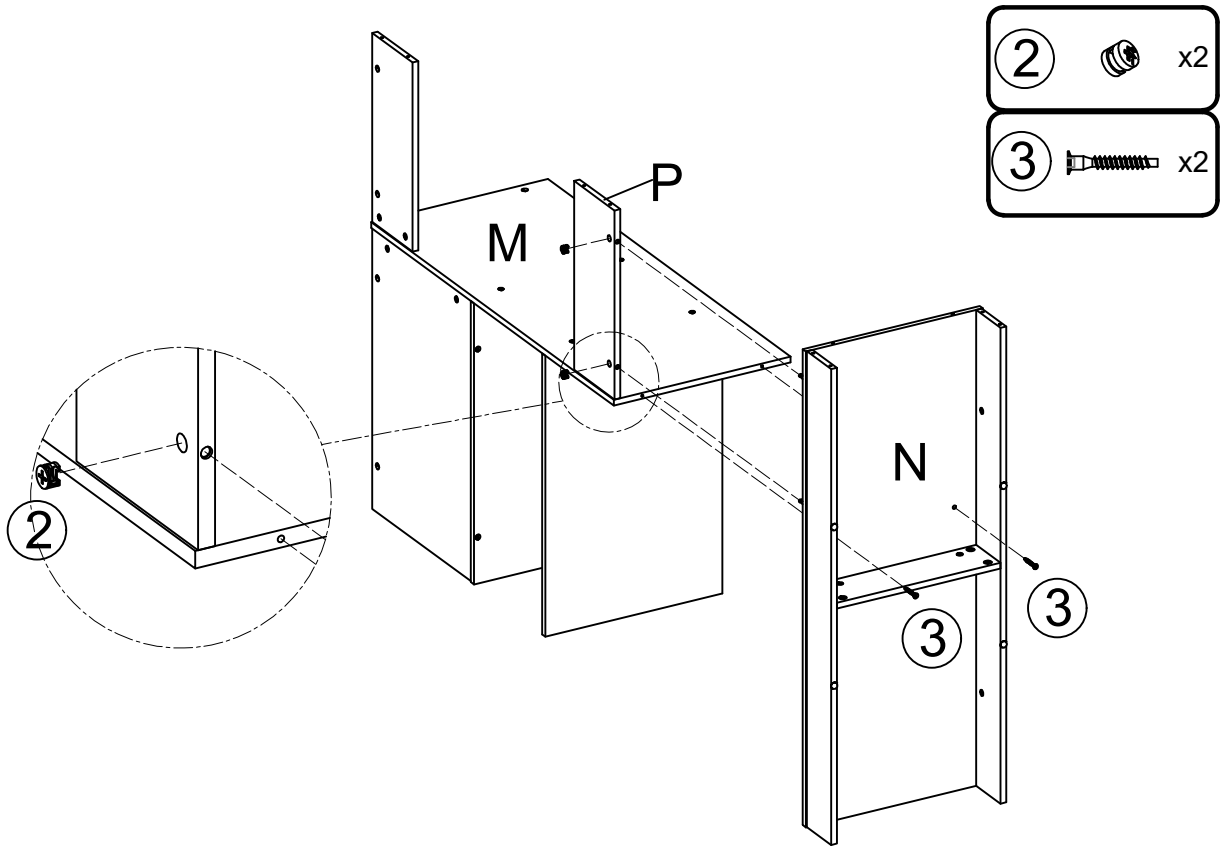
STEP 13



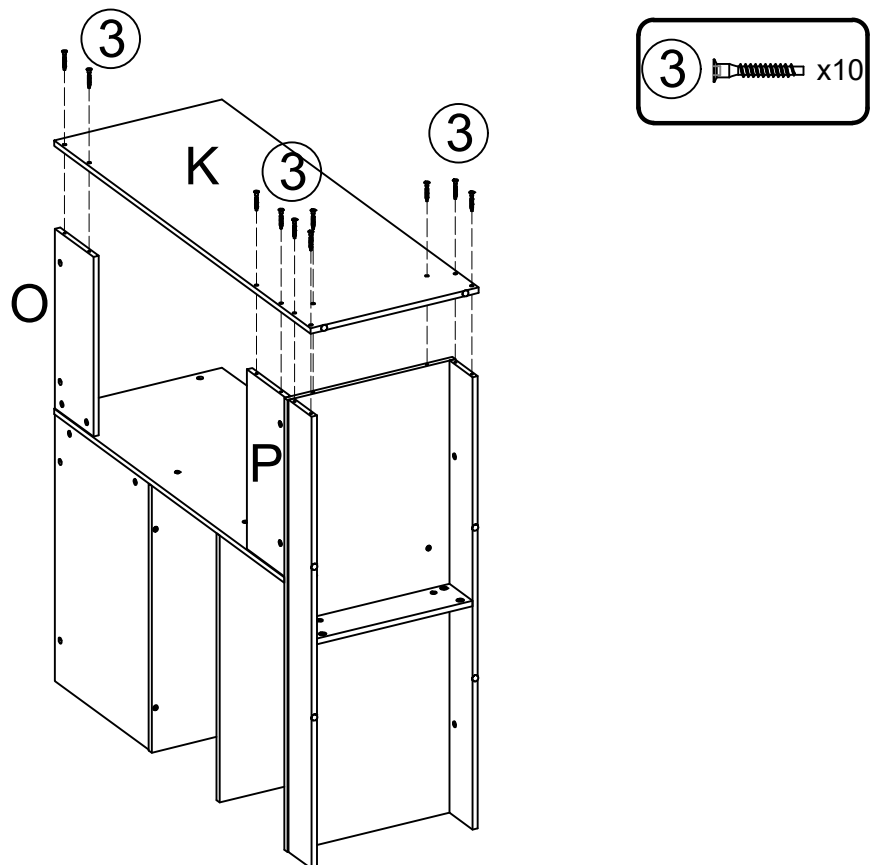
STEP 14



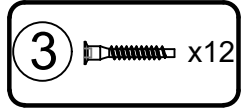
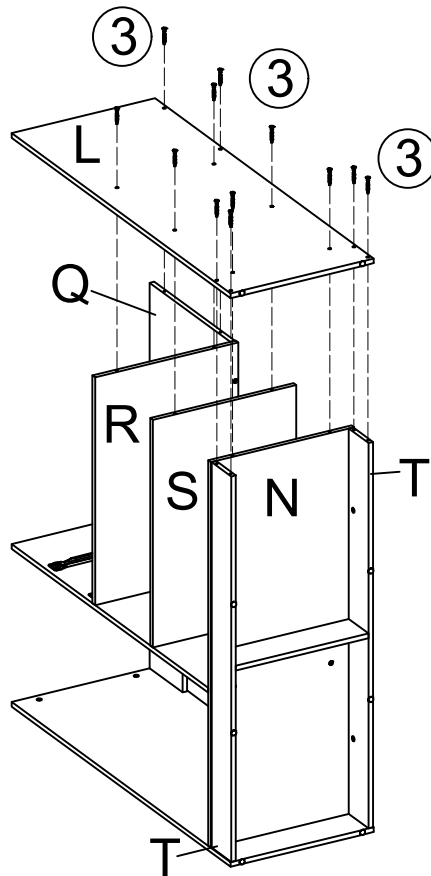
STEP 15



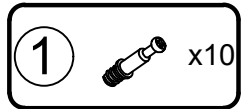
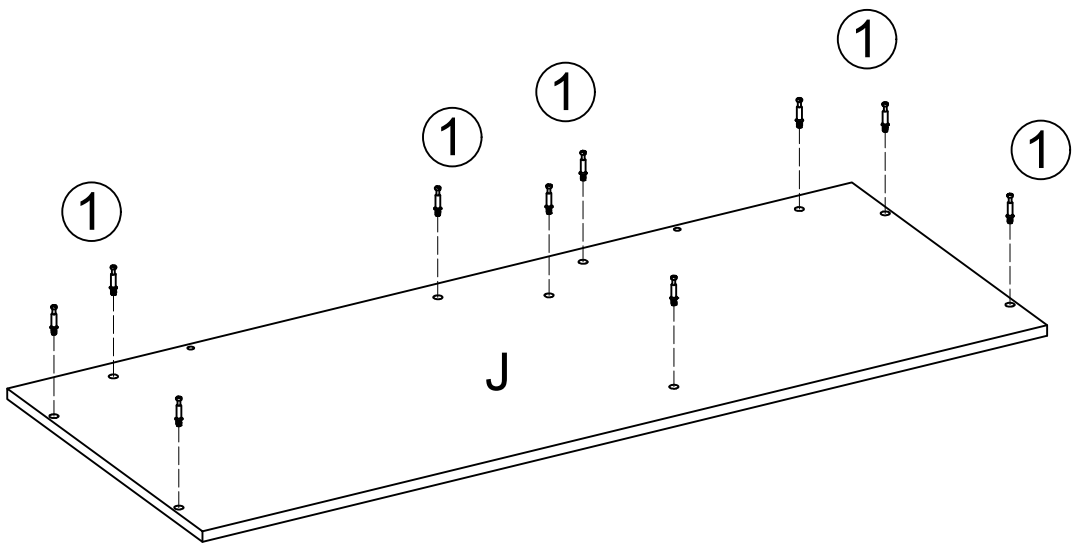
STEP 16



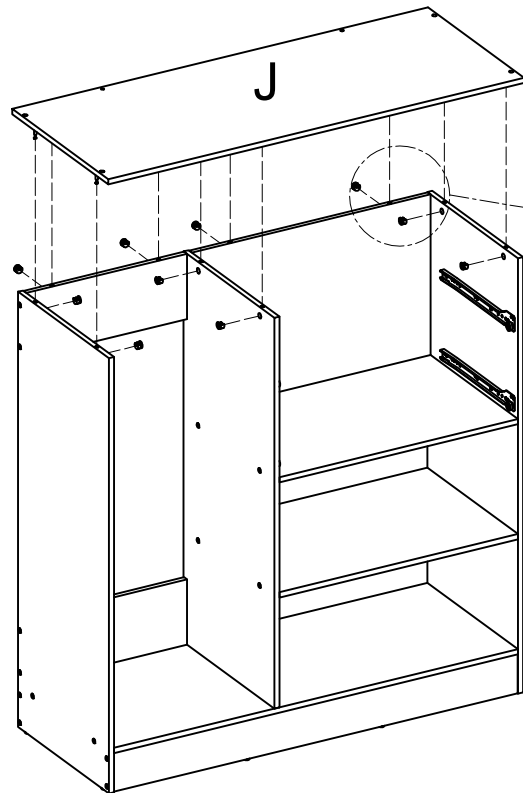
STEP 17




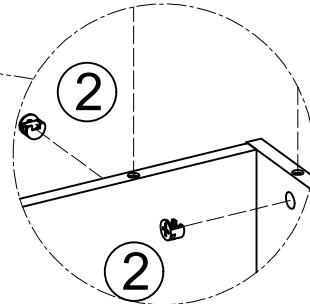
STEP 18



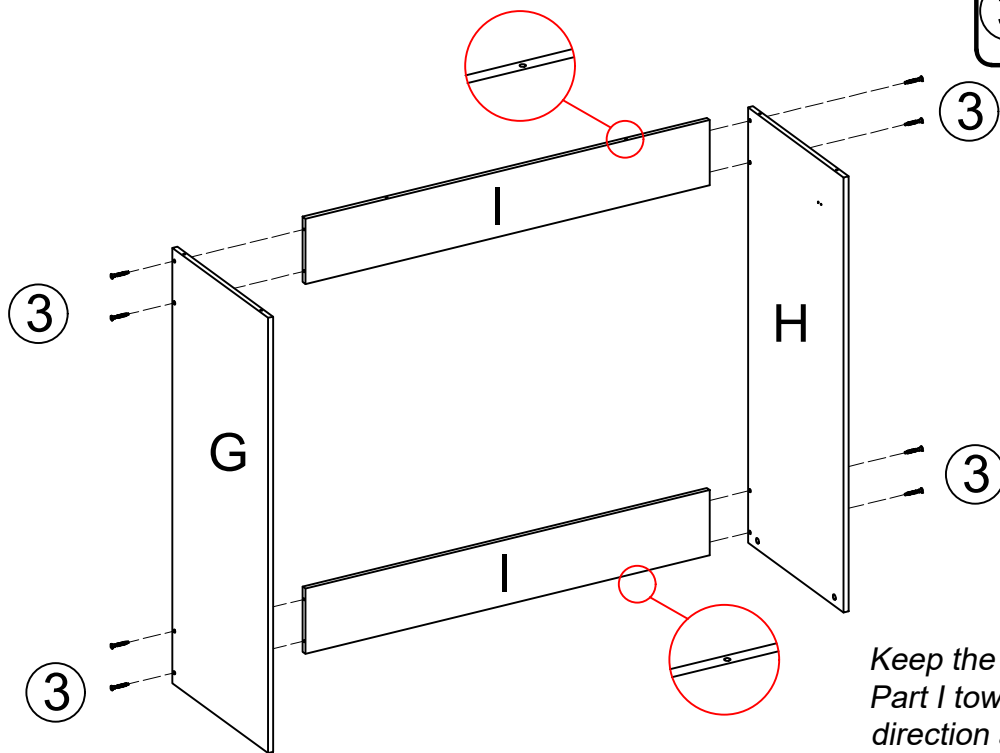
STEP 19




②  x10



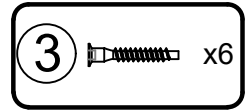
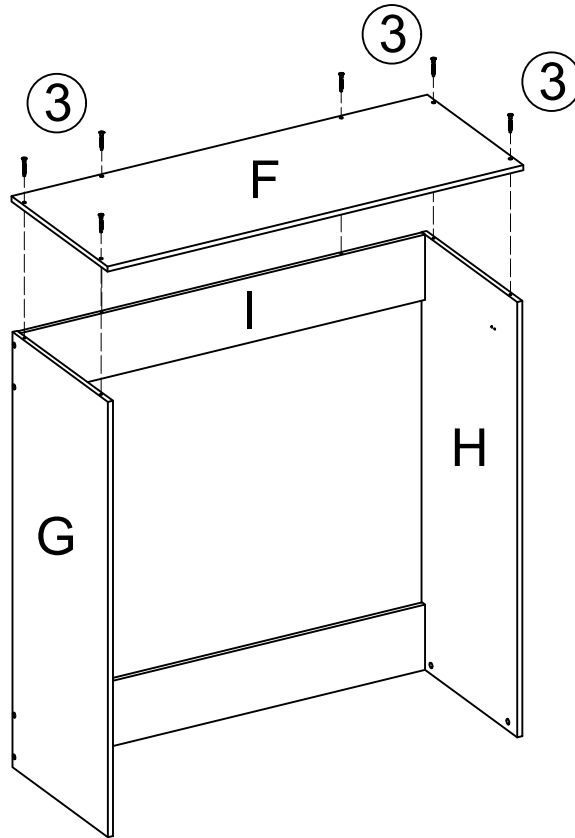
STEP 20



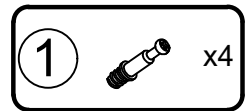
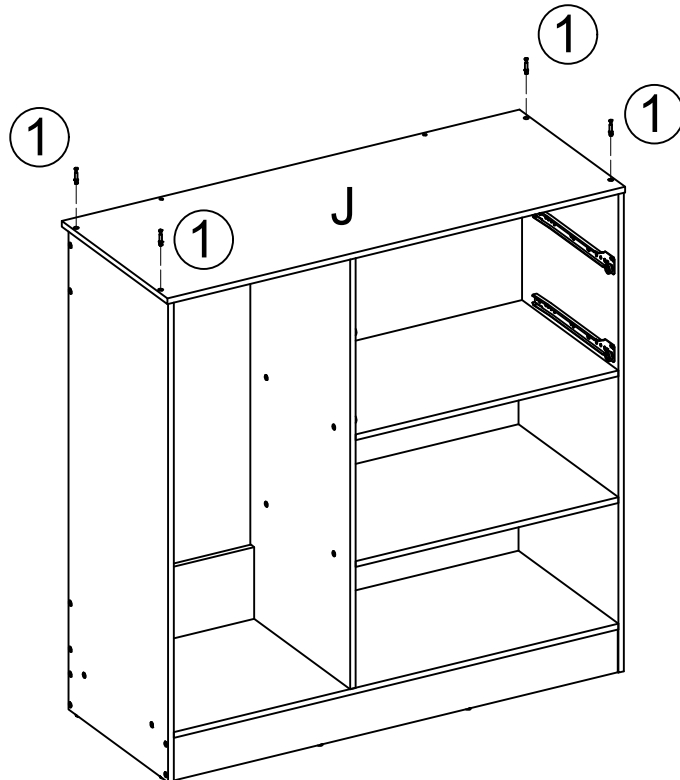
③  x8

Keep the holes of the Part I toward this direction as shown

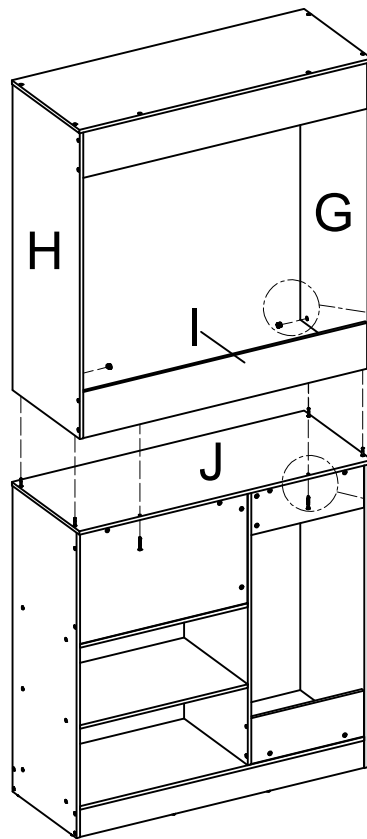
STEP 21





STEP 22

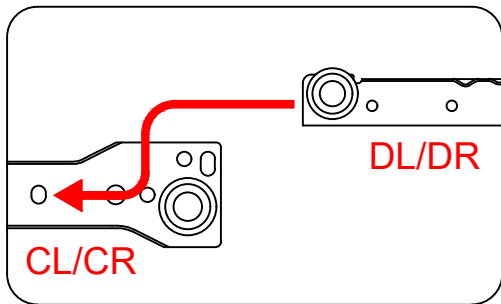


STEP 23

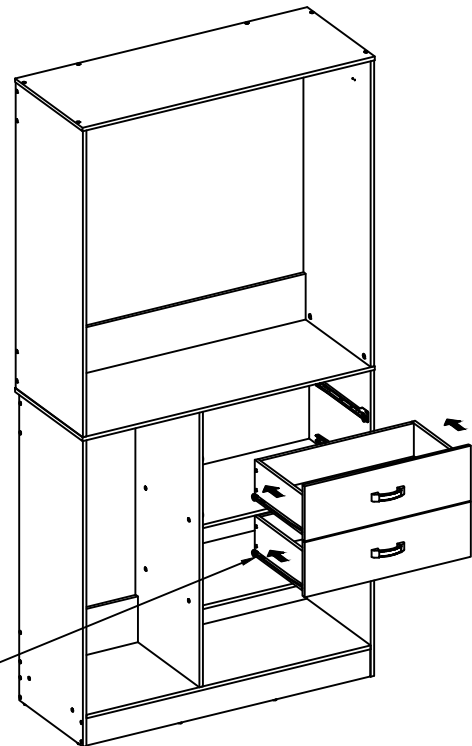


- 2  x4
- 3  x2

STEP 24

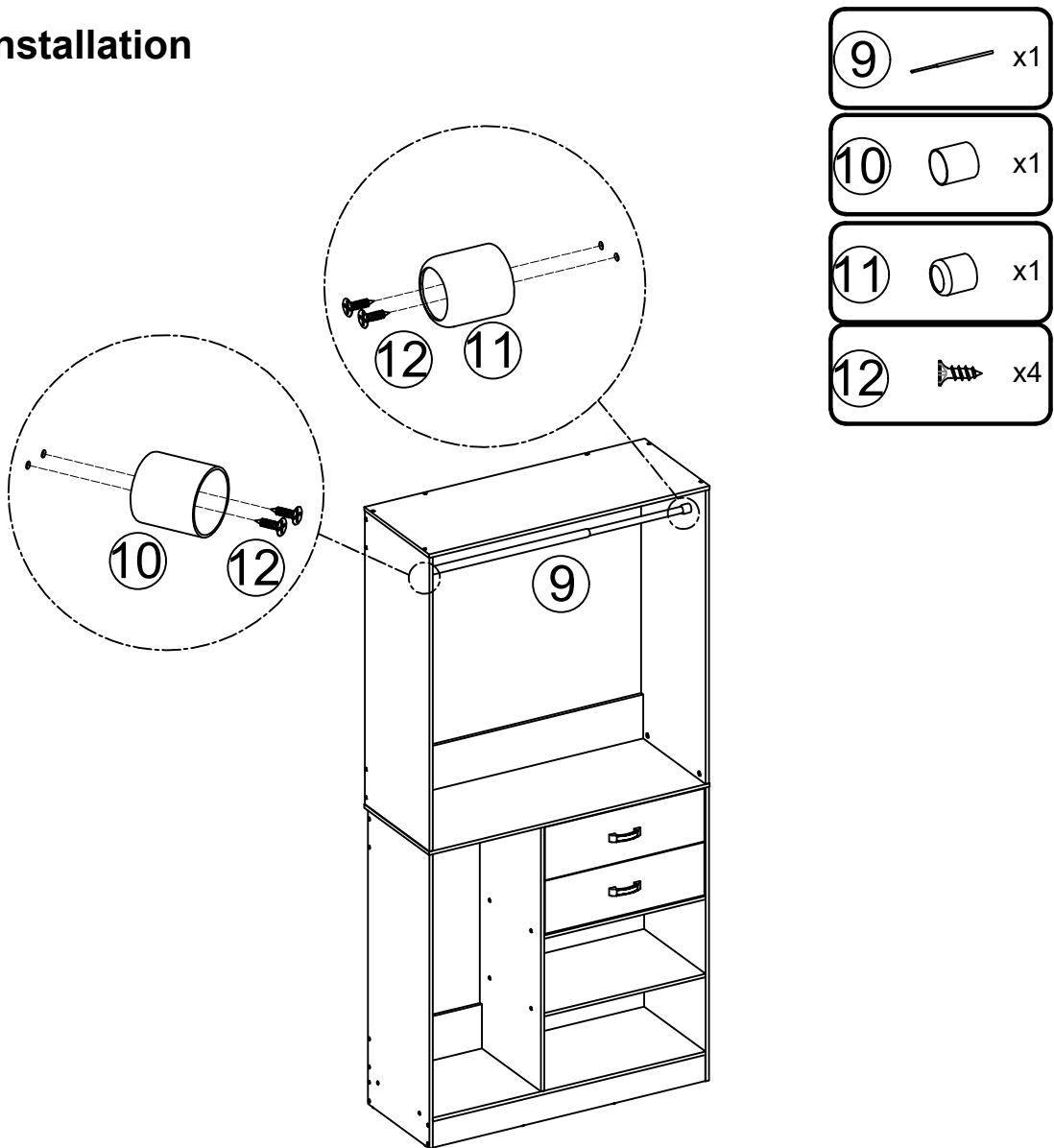


Please put the wheels align with the slots as the instruction shows, then slide into them

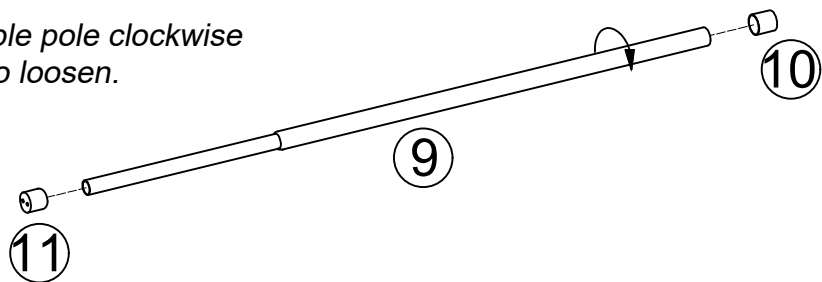


STEP 25

Pole Installation

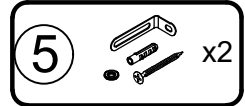


Note: Twist the expandable pole clockwise to tighten. anticlockwise to loosen.



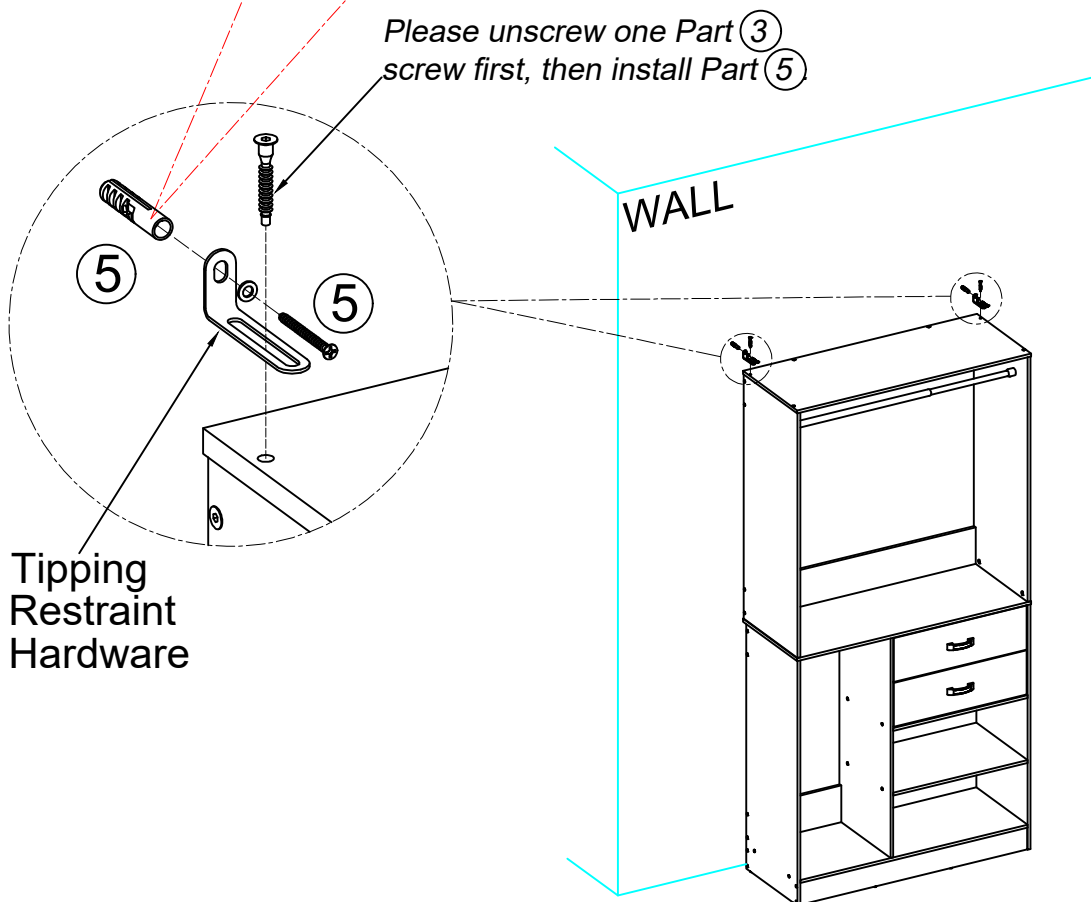
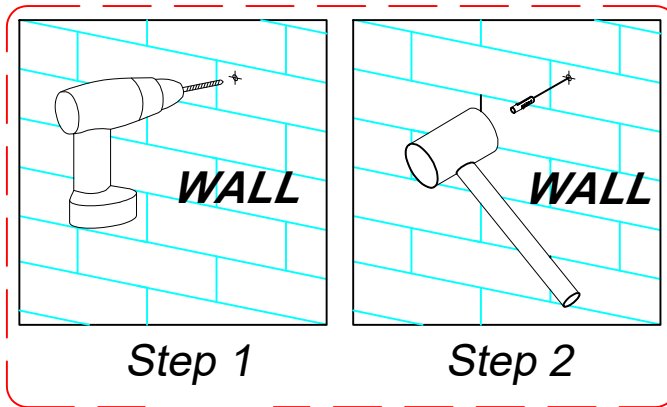
STEP 26

TIPPING RESTRAINT HARDWARE



Note: We have included two Tipping Restraint Hardware set for this Unit. When properly installed, this restraint can provide protection against the unexpected tipping of the Unit due to small tremors, bumps or climbing. We strongly recommend mounting this hardware to a wall stud and your Unit.

Note: You must install the Tipping Restraint Hardware with the unit in use to prevent any accidents or damage to the unit.



Please unscrew one Part (3) screw first, then install Part (5)

Tipping Restraint Hardware