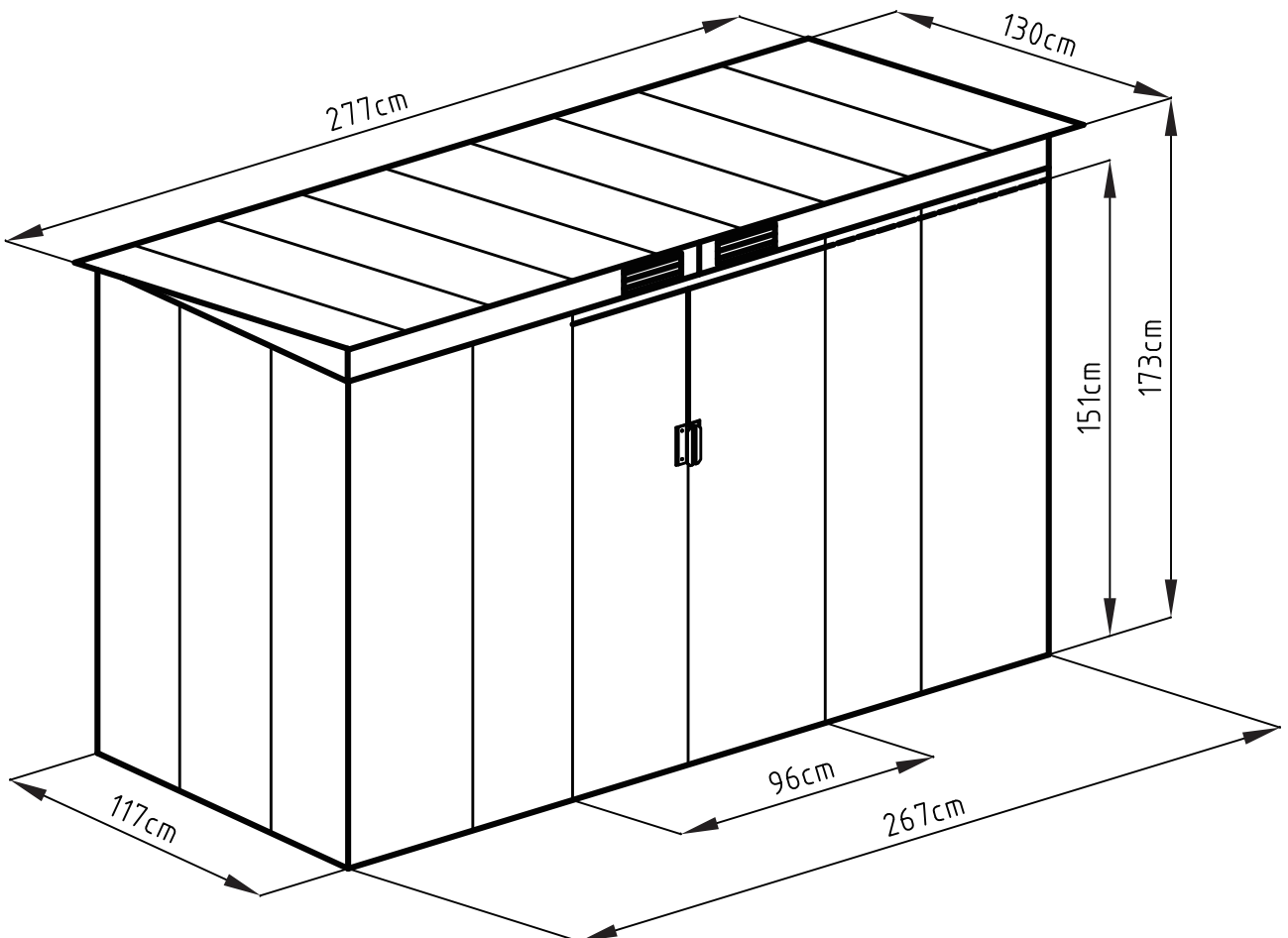
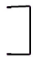



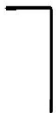



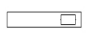






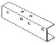
















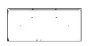

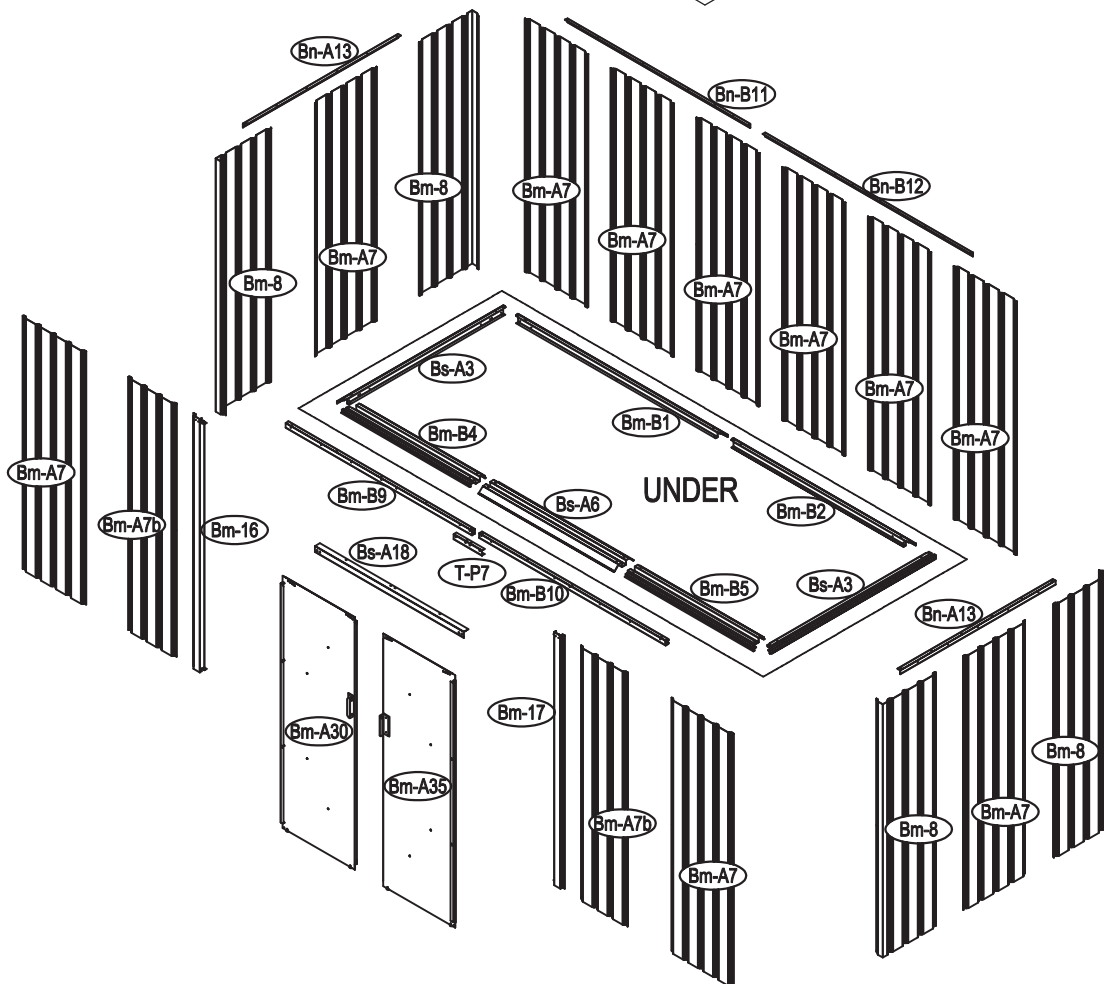
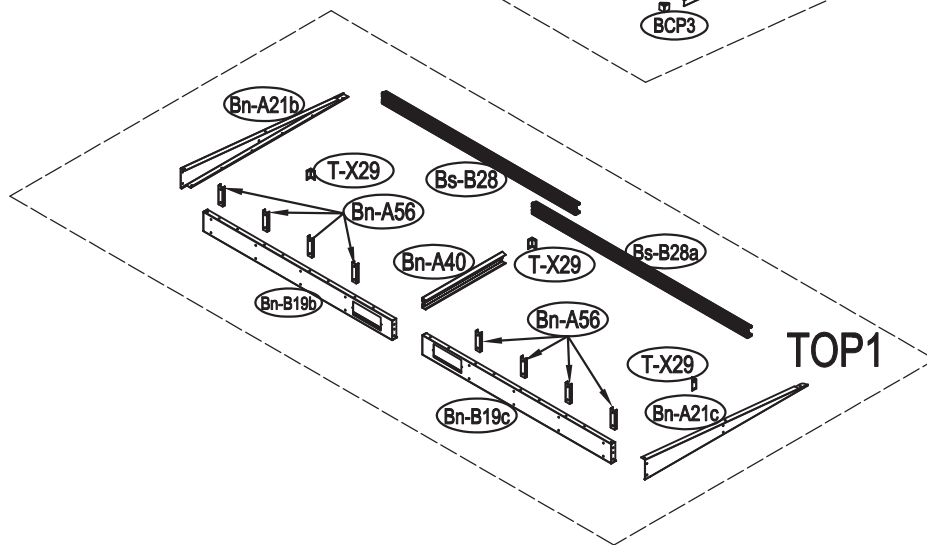
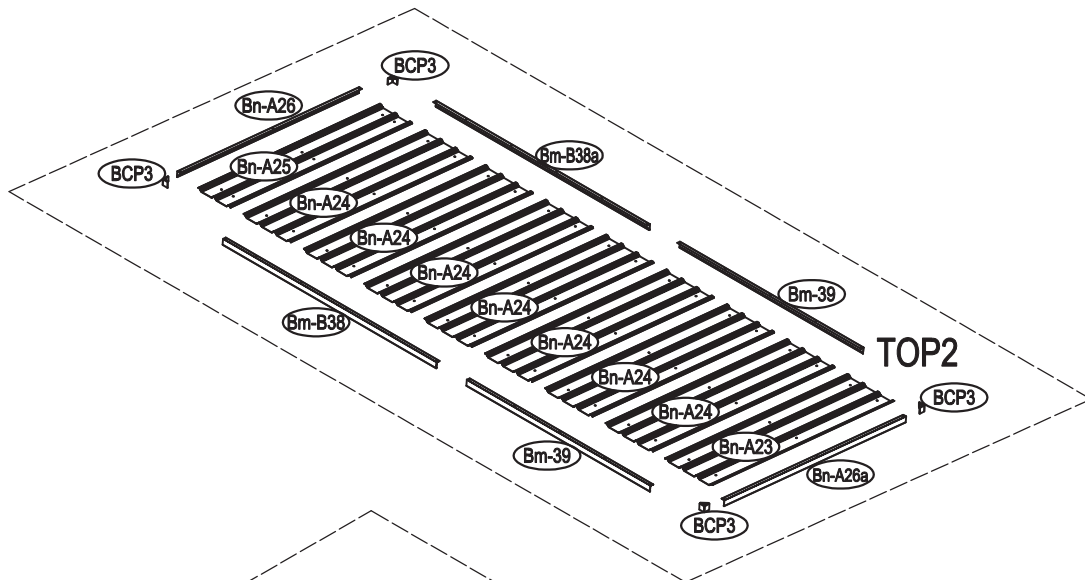






















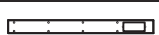
















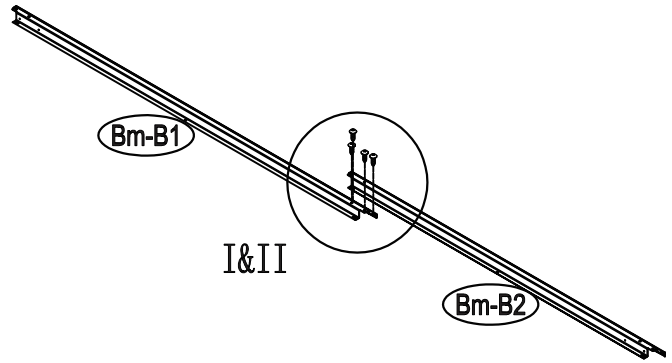
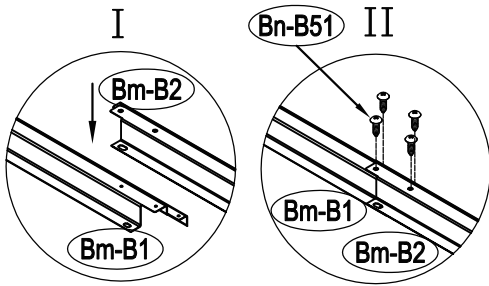
AREA OF INSTALLATION REQUIREMENT



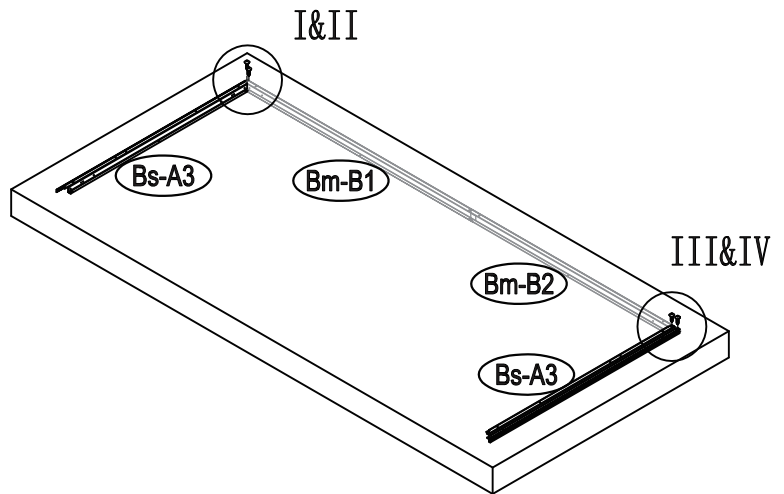
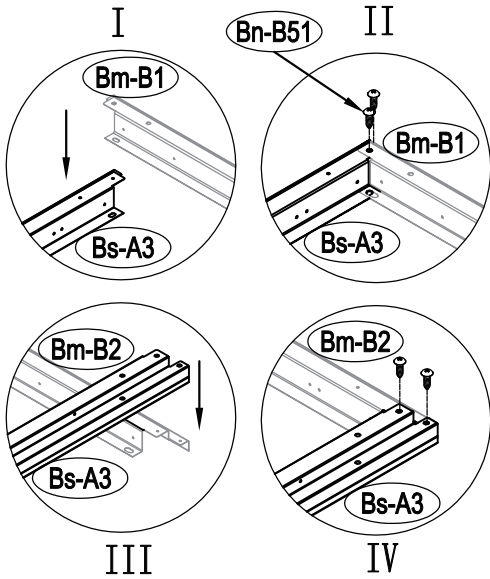
Name of parts	Section	QTY(pcs)		Name of parts	Section	QTY(pcs)
Box 1/2				Bs-B28		1
Bm-A7		10		Bs-B28a		1
Bm-A7b		2		Bn-A40		1
Bn-A23		1		Bn-A26		1
Bn-A24		7		Bn-A26a		1
Bn-A25			1			Bm-B38
Instruction manual		1		Bm-B38a		1
Box 2/2				Bm-39		2
Bm-8		4		T-X29		
Bn-B19b		1		Bm-31		2
Bn-B19c		1		Bm-A32		4
Bn-A21b		1		Bs-A33		1
Bn-A21c		1		Bs-A34		1
Bm-B1		1		Bs-A36		1
Bm-B2		1		Bs-A37		1
Bs-A3		2		Bn-A56		8
Bm-B4		1		T-P7		1
Bm-B5		1		T-P1		4
Bs-A6		1		T-P2		4
Bm-B9		1		BCP3		4
Bm-B10		1		TP5A		2
Bn-B11		1		T-P6		2
Bn-B12		1		Bn-B50		191
Bn-A13		2		Bn-B51		208
Bm-16		1		Bn-B52		16
Bm-17		1		Bn-B53		108
Bs-A18		1		Bn-B54		87
Bm-A30		1		V-A3		4
Bm-A35		1		V-A2		4



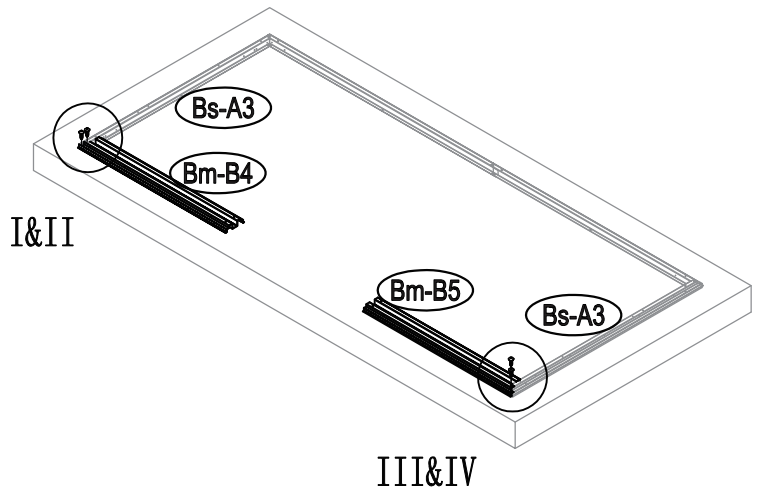
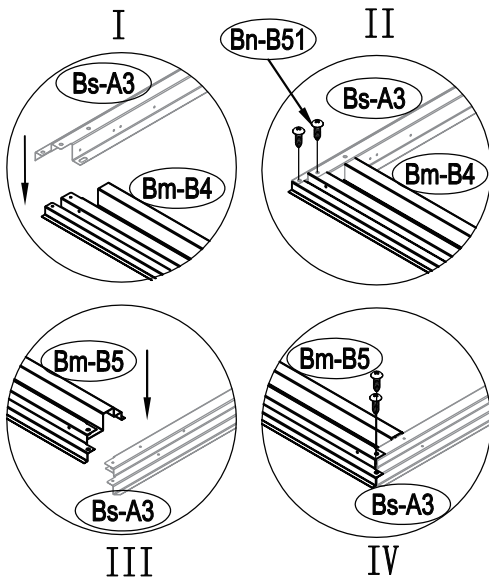
NO.	IMAGE	mm	QTY	NO.	IMAGE	mm	QTY
UNDER				Bm-B38		1509	x1
Bm-B1		1480	x1	Bm-B38a		1509	x1
Bm-B2		1287	x1	Bm-39		1296	x2
Bs-A3		1174	x2	DOOR			
Bm-B4		909.5	x1	Bm-A30		1543	x1
Bm-B5		909.5	x1	Bm-A35		1543	x1
Bs-A6		958	x1	Bm-31		1483	x2
MIDDLE				Bm-A32		876	x4
Bm-A7		1548	x10	Bs-A33		486	x1
Bm-A7b		1548	x2	Bs-A34		486	x1
Bm-8		1548	x4	Bs-A36		486	x1
Bm-B9		1315	x1	Bs-A37		486	x1
Bm-B10		1315	x1	ANNEX			
Bn-B11		1290	x1	T-P1			x4
Bn-B12		1466	x1	T-P2			x4
Bn-A13		1096	x2	BCP3			x4
Bm-16		1548	x1	TP5A			x2
Bm-17		1548	x1	T-P6			x2
Bs-A18		1044	x1	T-P7		200	x1
TOP1				Bn-B50			x191
Bn-B19b		1333.5	x1	Bn-B51		ST4X10	x208
Bn-B19c		1333.5	x1	Bn-B52		ST4X16	x16
Bn-A21b		1150	x1	Bn-B53		M4X10	x108
Bn-A21c		1150	x1	Bn-B54			x87
Bs-B28		1360.5	x1	V-A2		512	x4
Bs-B28a		1516	x1	V-A3		1344	x4
T-X29		56	x3				
Bn-A40		565	x1				
Bn-A56		116	x8				
TOP2							
Bn-A23		1289	x1				
Bn-A24		1289	x7				
Bn-A25		1289	x1				
Bn-A26		1289	x1				
Bn-A26a		1289	x1				



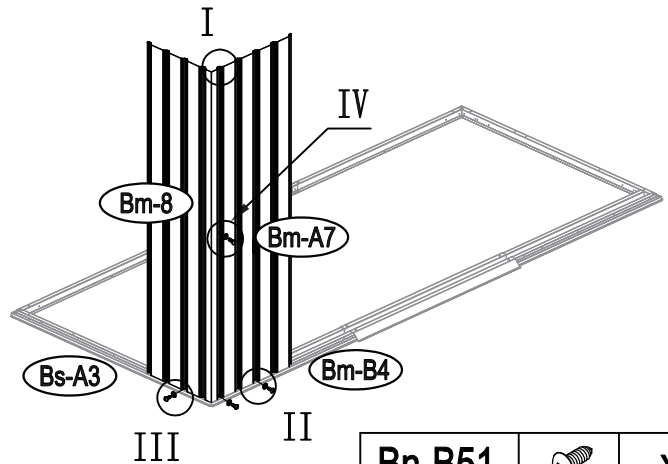
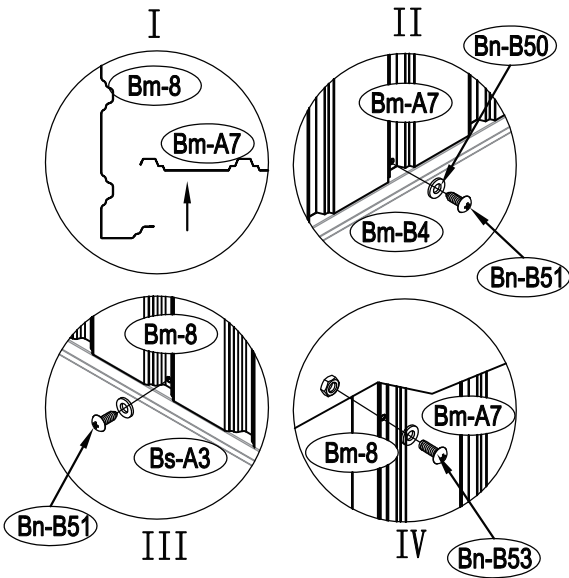
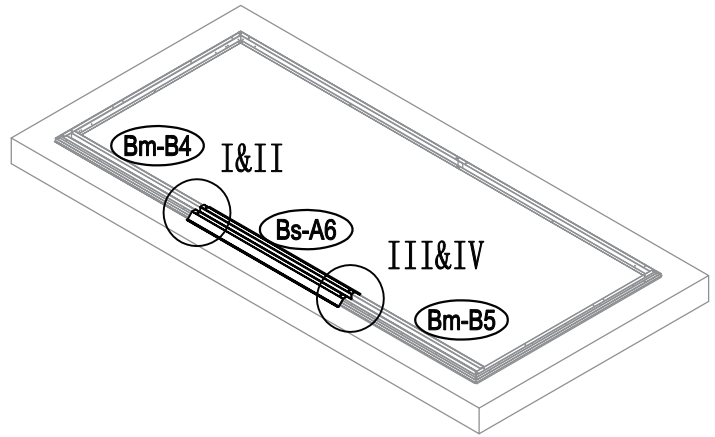
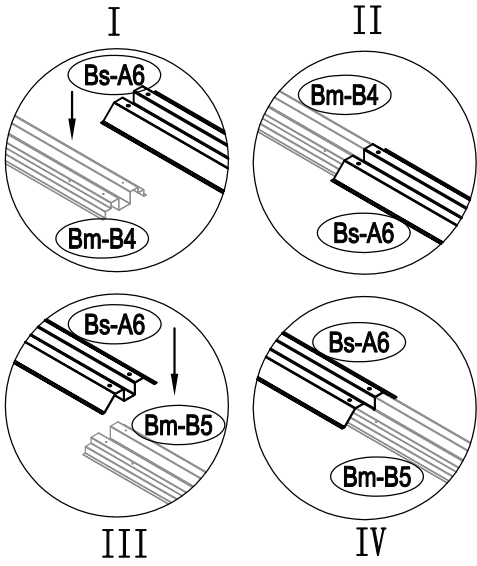
Bn-B51		x4
--------	---	----





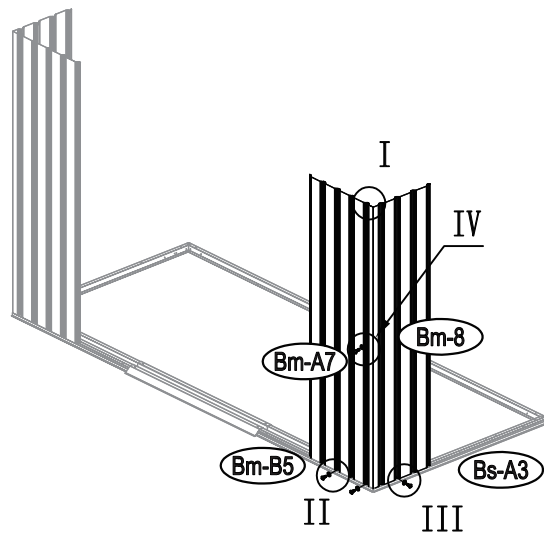
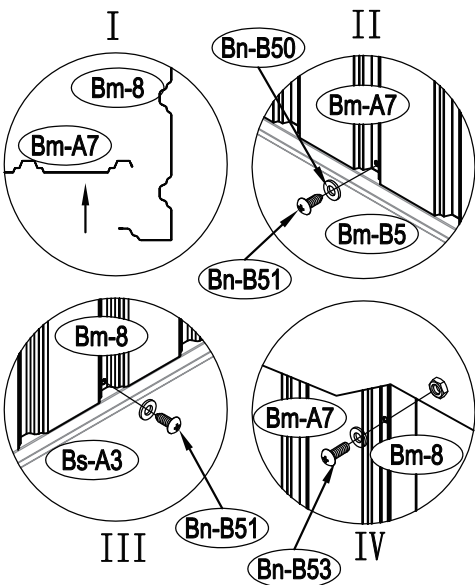
Bn-B51		x4
--------	---	----





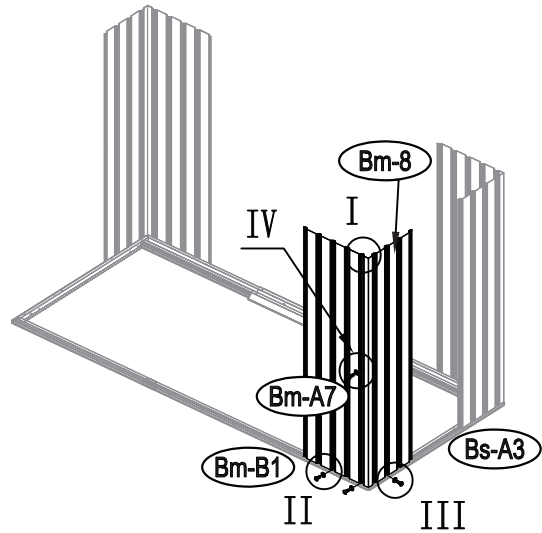
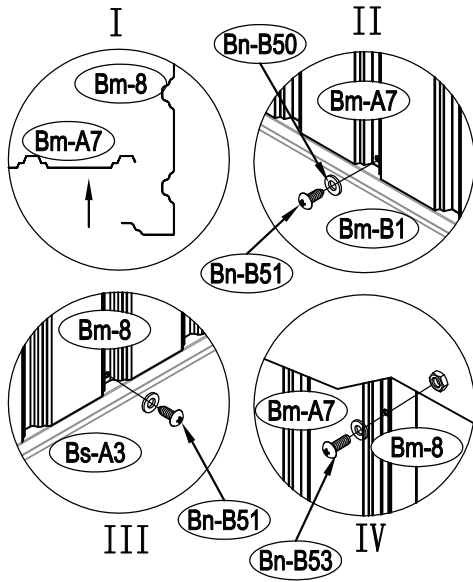
Bn-B51		x4
--------	---	----





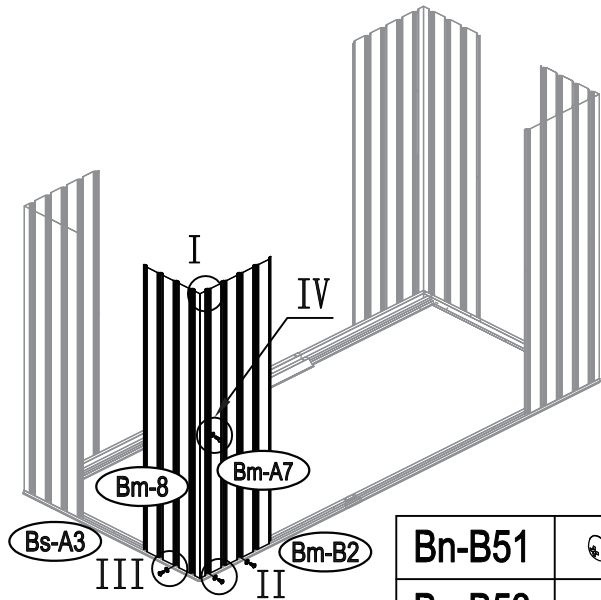
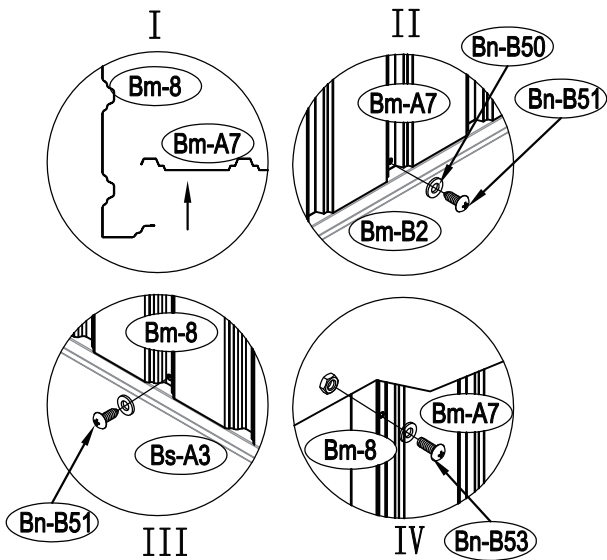
Bn-B51		x3
Bn-B53		x1





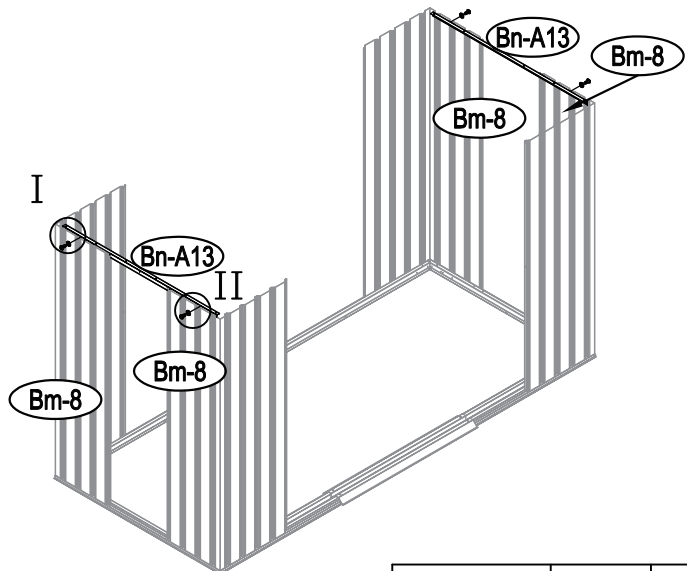
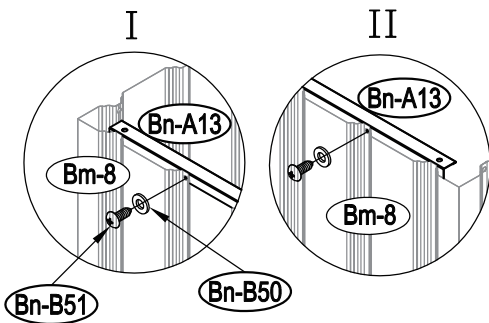
Bn-B51		x3
Bn-B53		x1




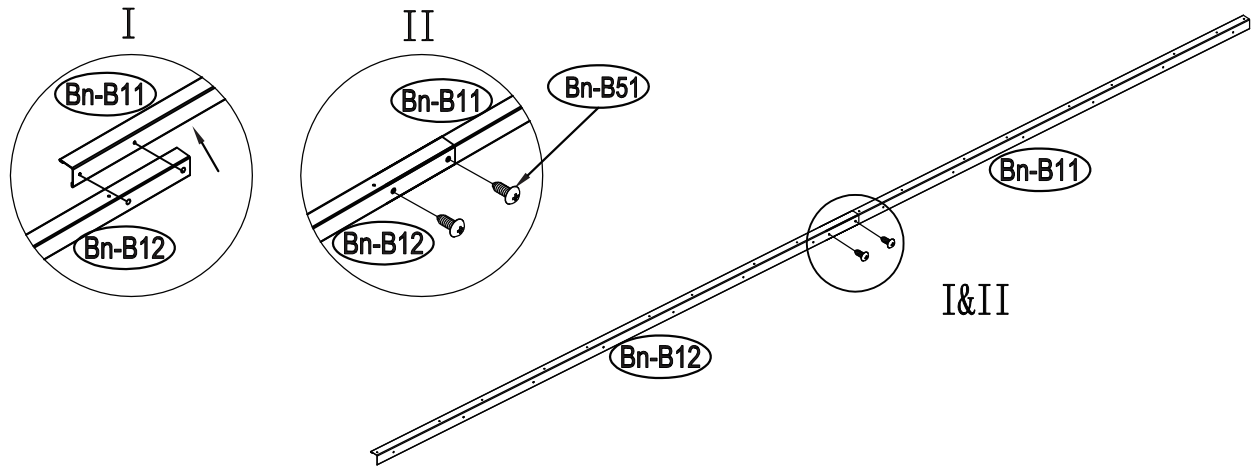
Bn-B51		x3
Bn-B53		x1




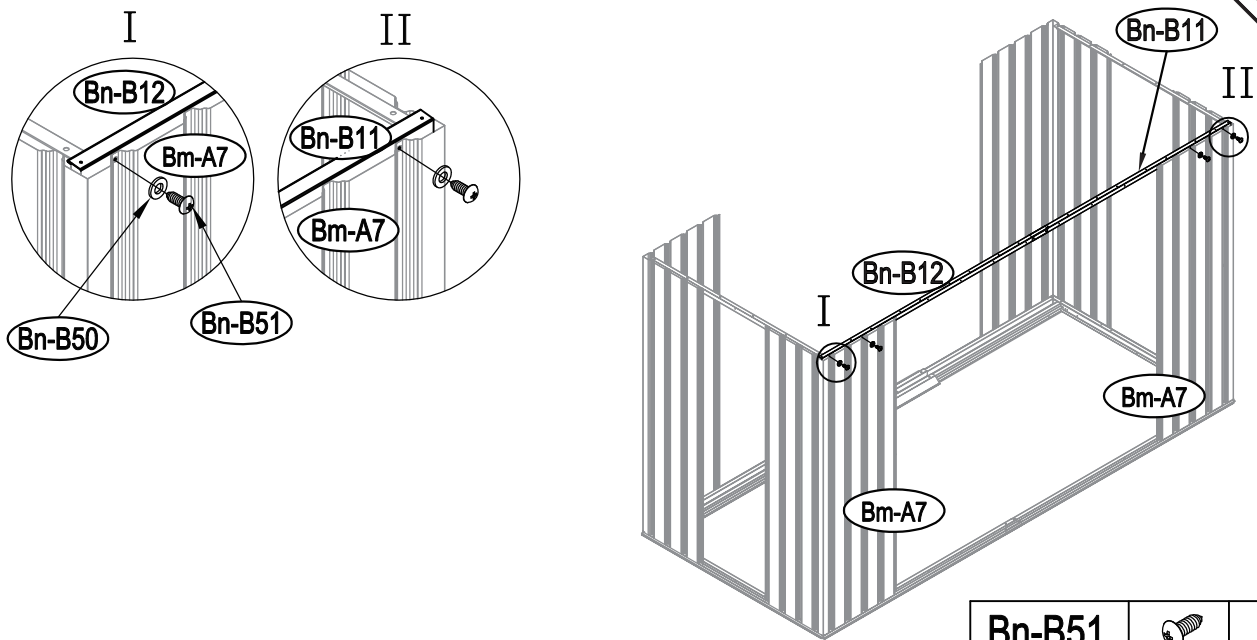
Bn-B51		x3
Bn-B53		x1




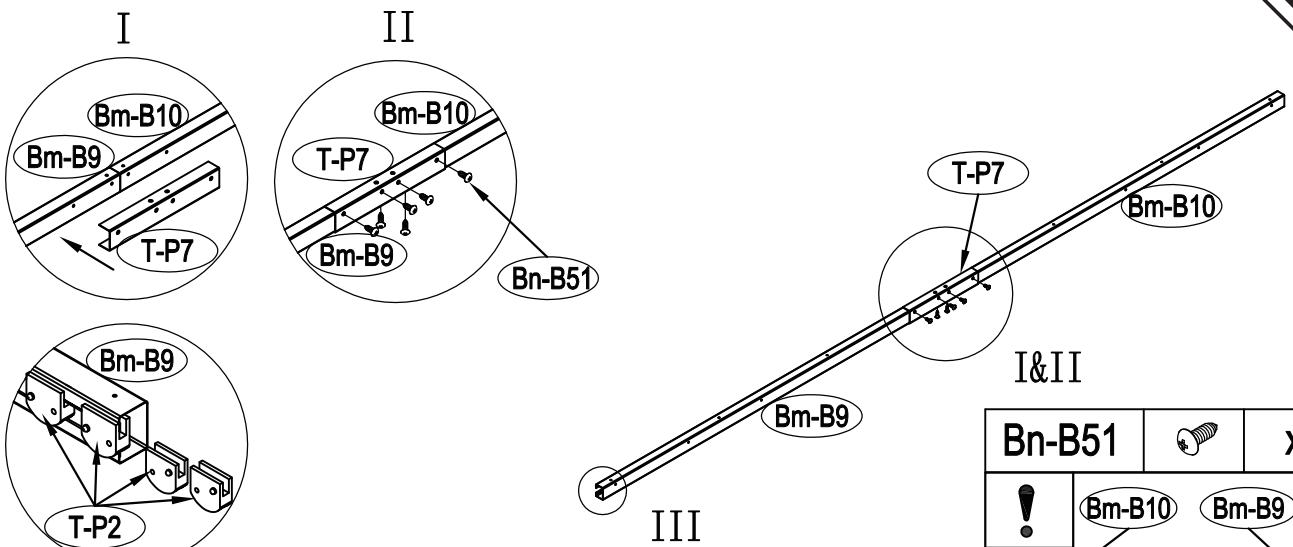
Bn-B51		x4
--------	---	----



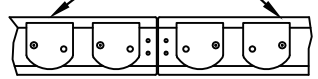


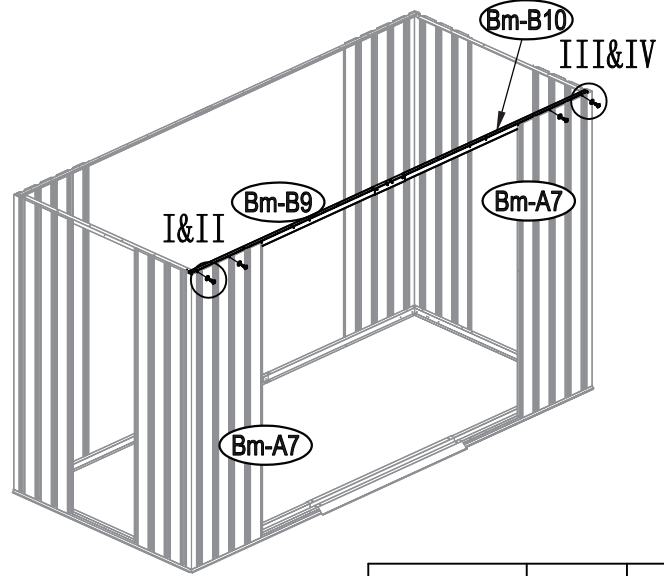
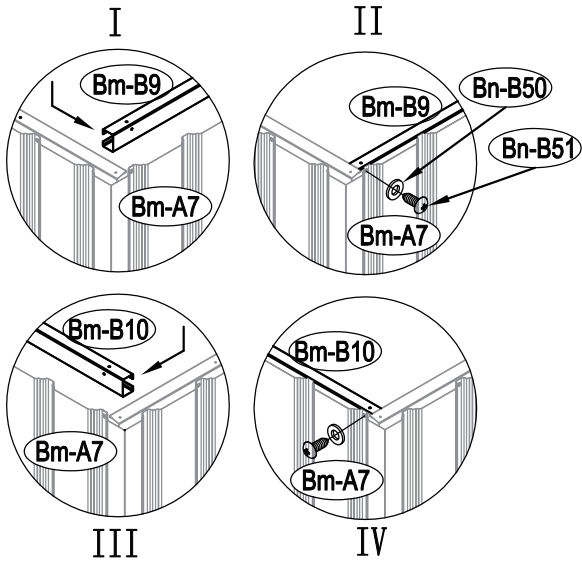
Bn-B51		x2
--------	---	----



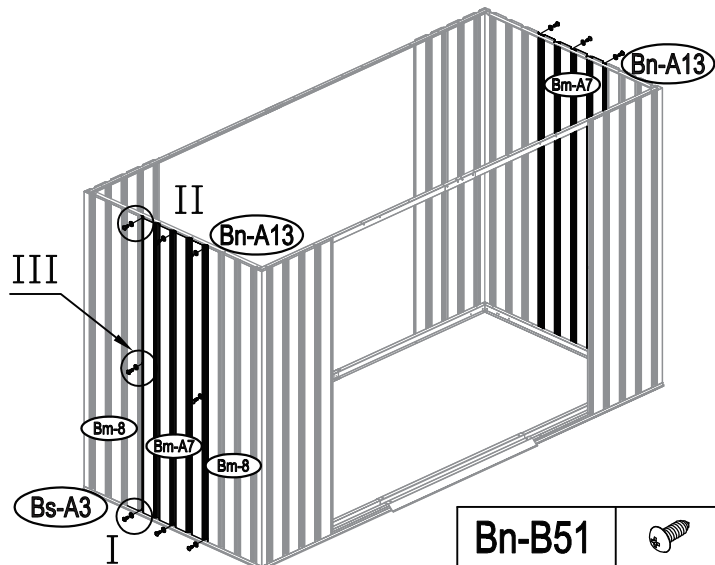
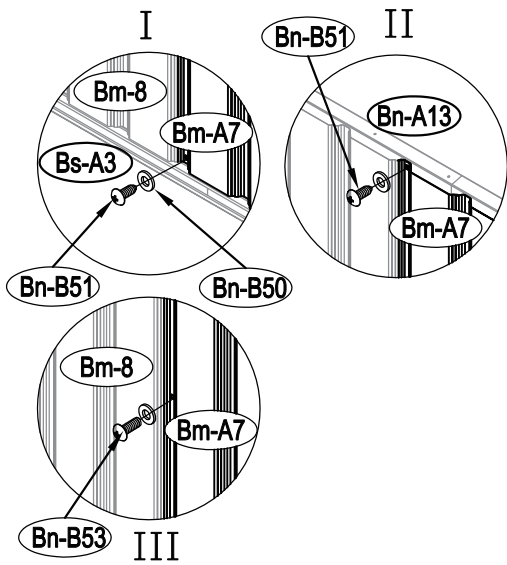
Bn-B51		x4
--------	---	----





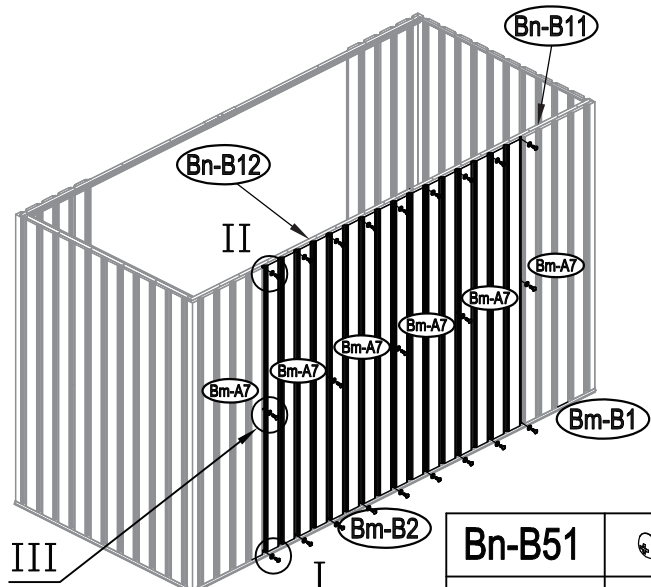
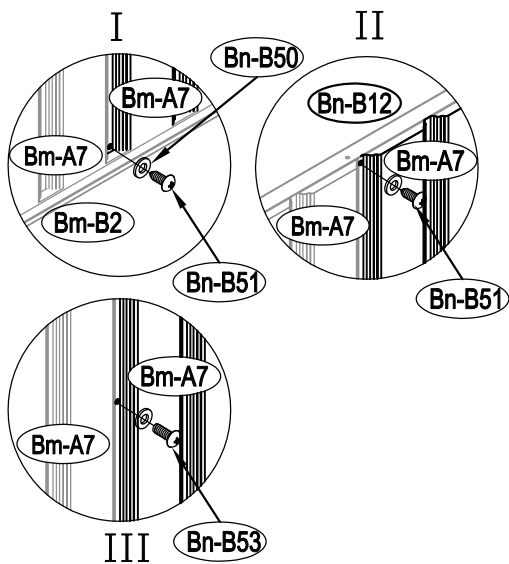
Bn-B51		x6
	Bm-B10	Bm-B9
		





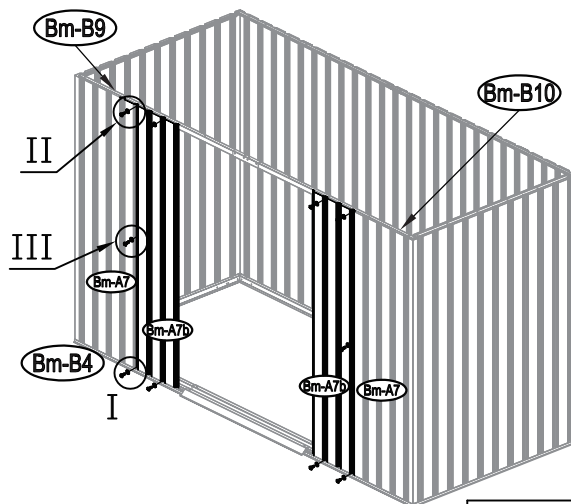
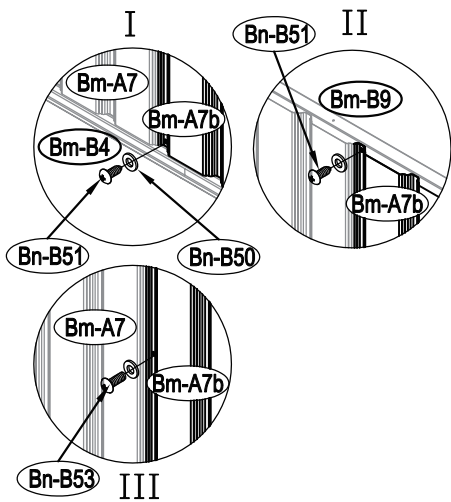
Bn-B51		x4
--------	---	----



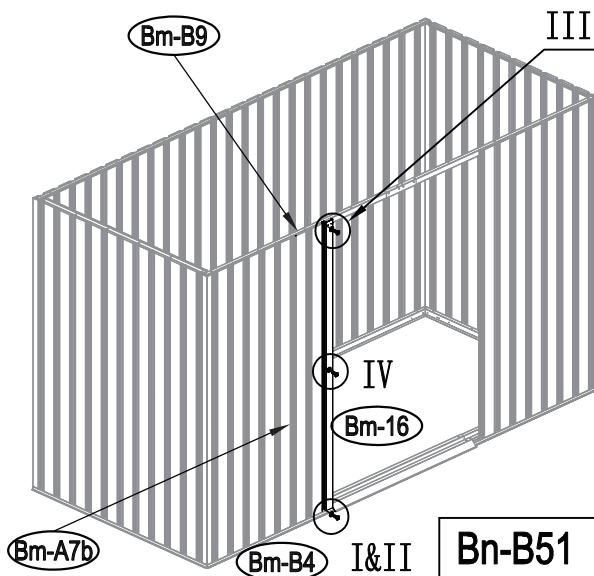
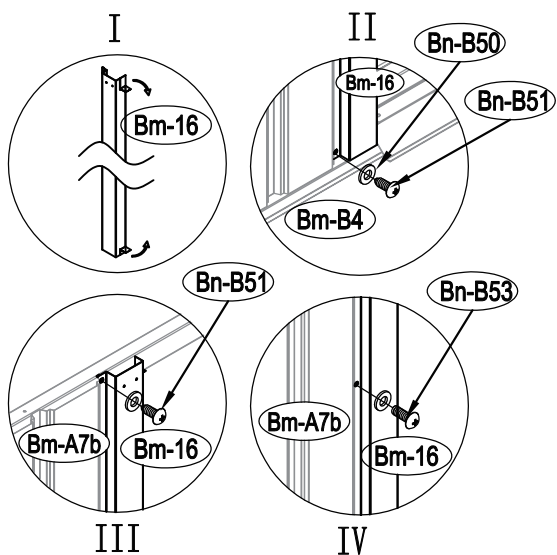
Bn-B51		x12
Bn-B53		x4



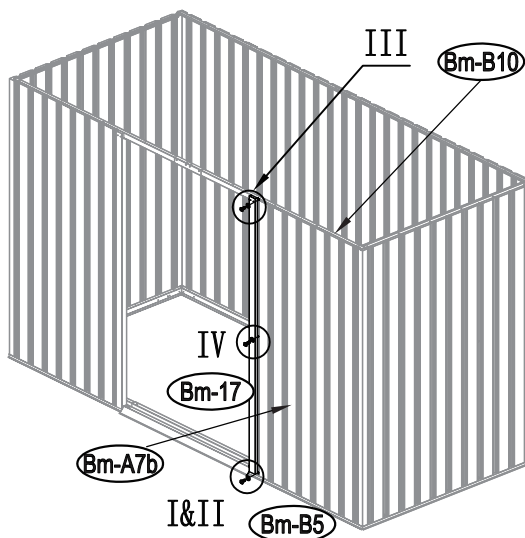
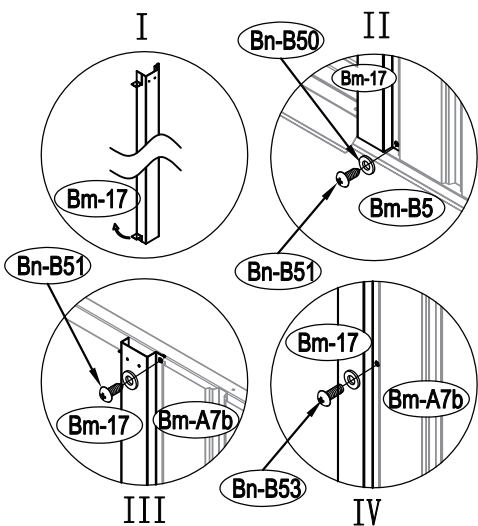
Bn-B51		x18
Bn-B53		x5



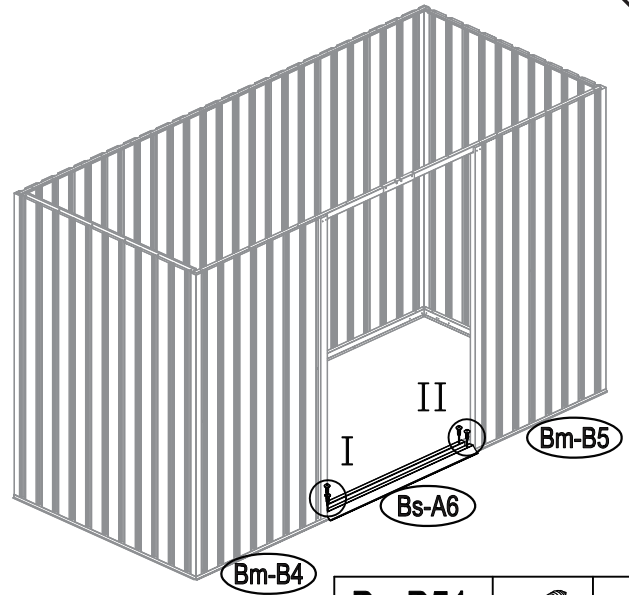
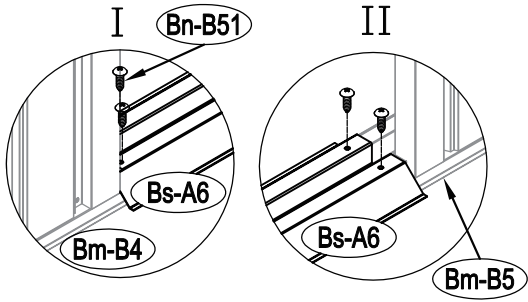
Bn-B51		x8
Bn-B53		x2



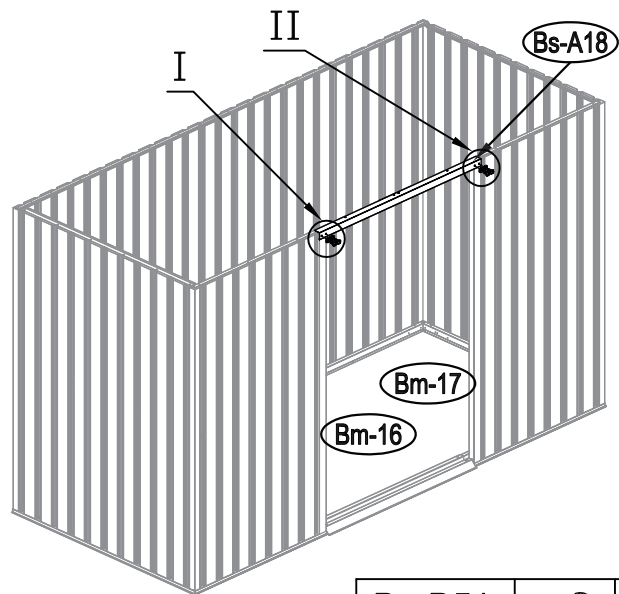
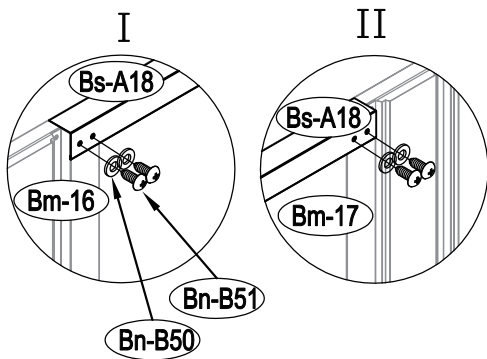
Bn-B51		x2
Bn-B53		x1



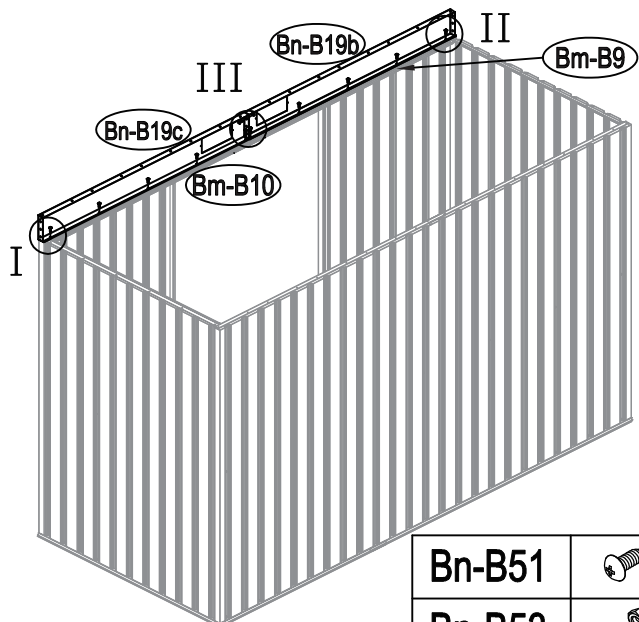
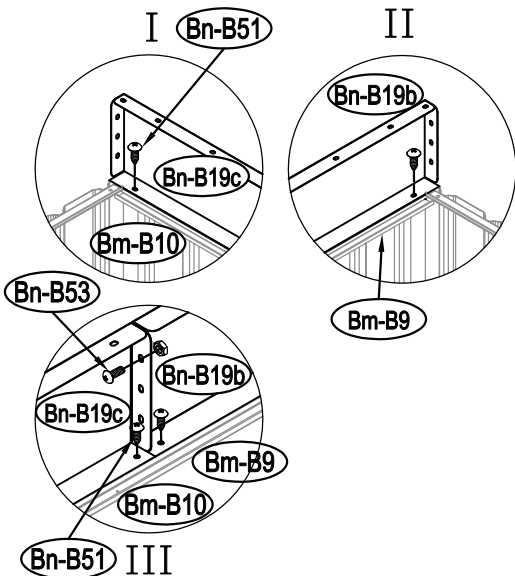
Bn-B51		x2
Bn-B53		x1





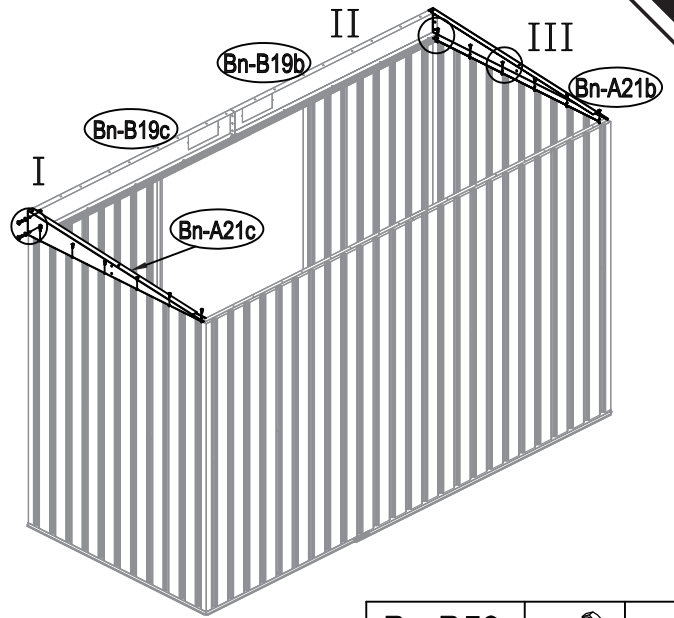
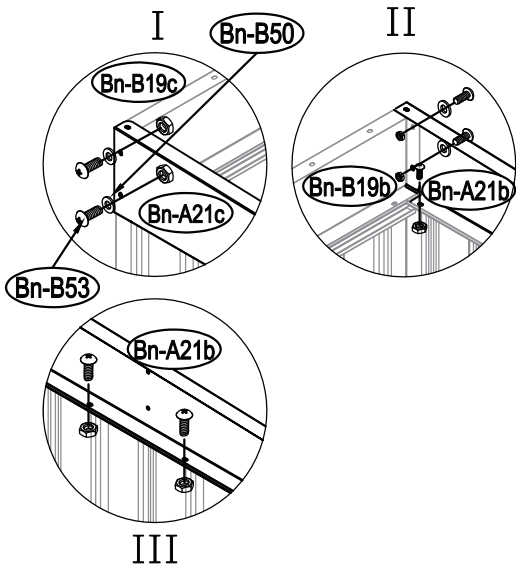
Bn-B51		x4
--------	---	----



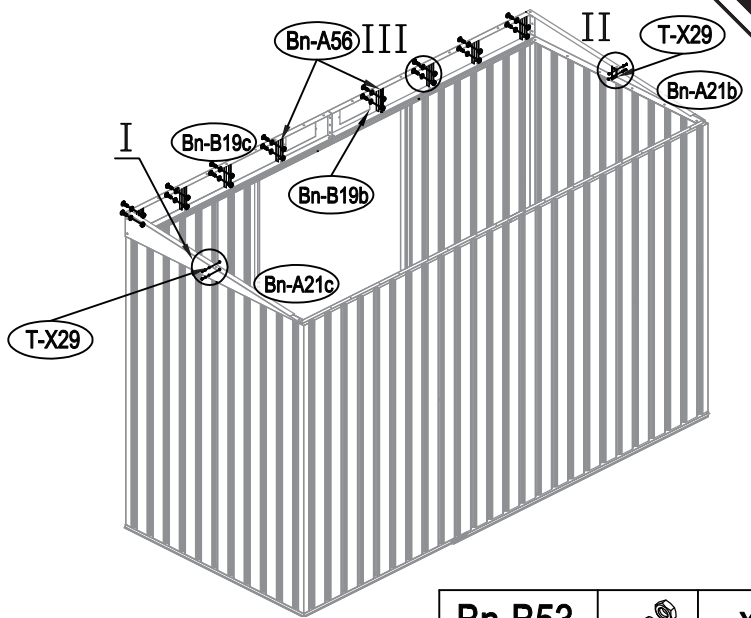
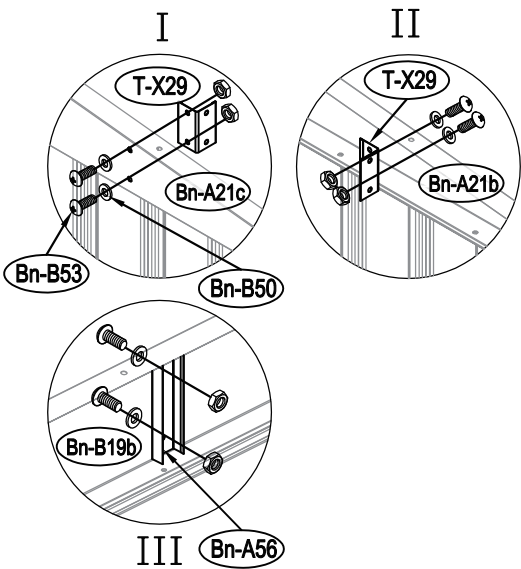
Bn-B51		x4
--------	---	----



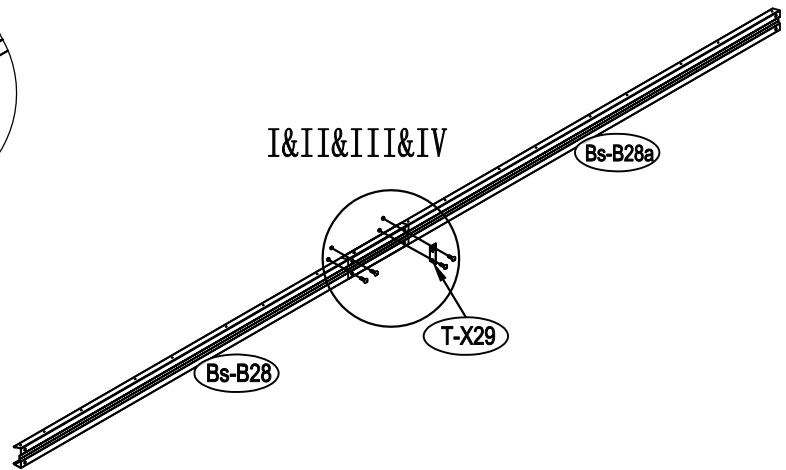
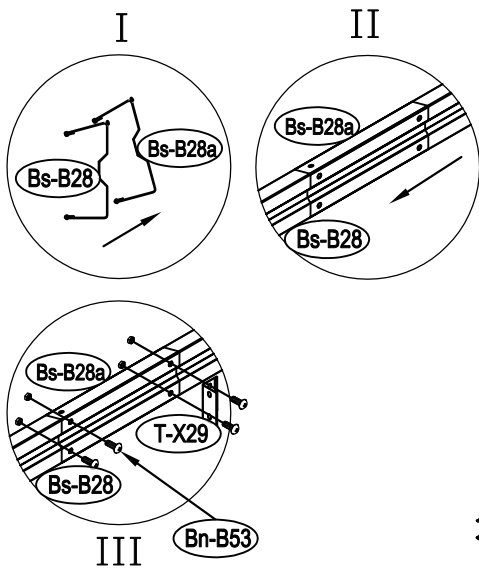
Bn-B51		x10
Bn-B53		x1




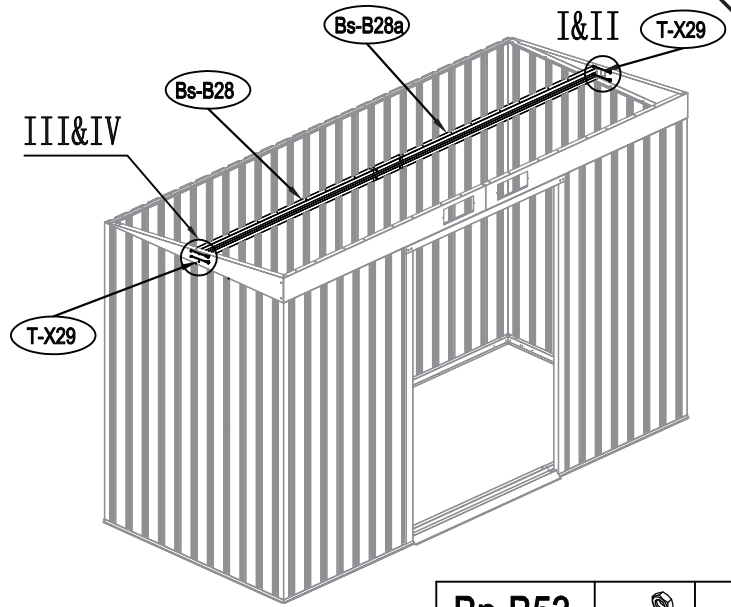
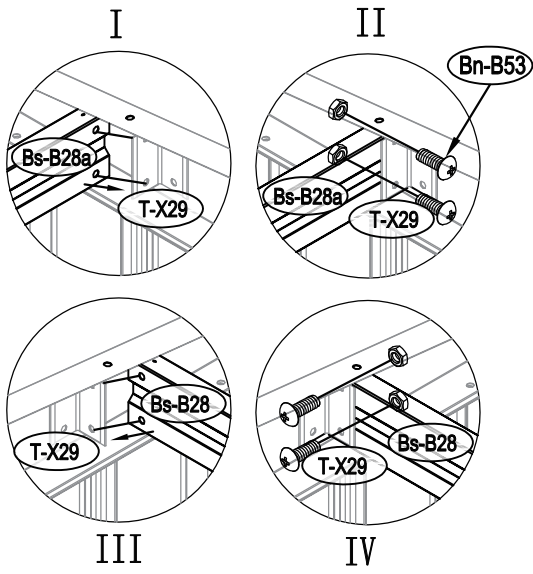
Bn-B53		x16
--------	---	-----




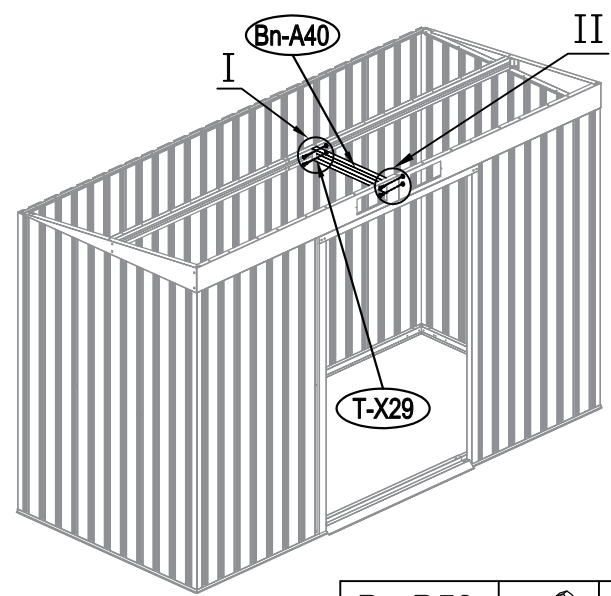
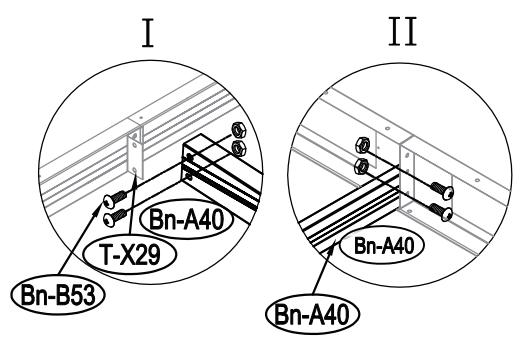
Bn-B53		x20
--------	---	-----




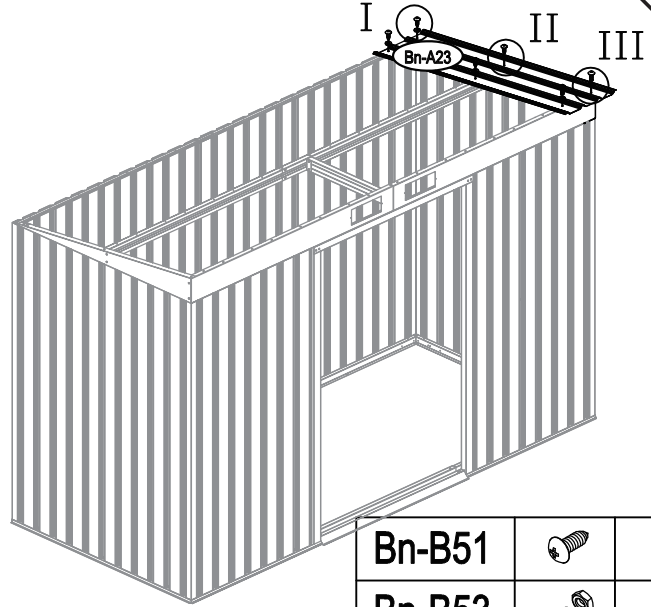
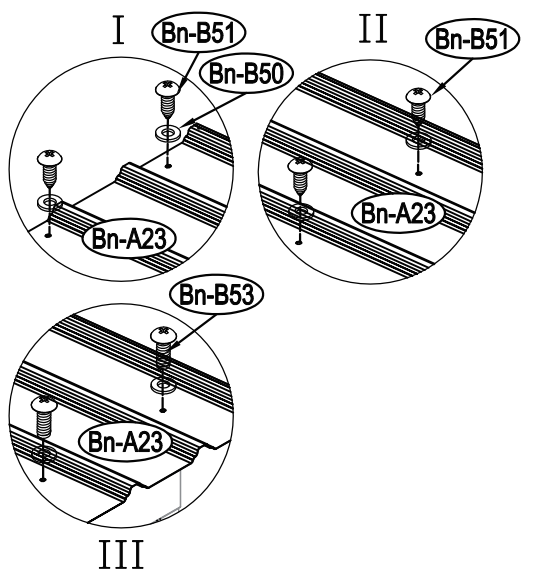
Bn-B53		x4
--------	---	----





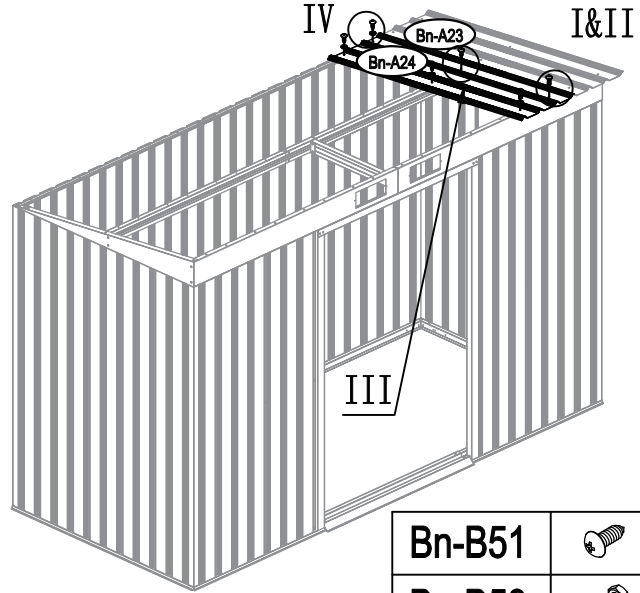
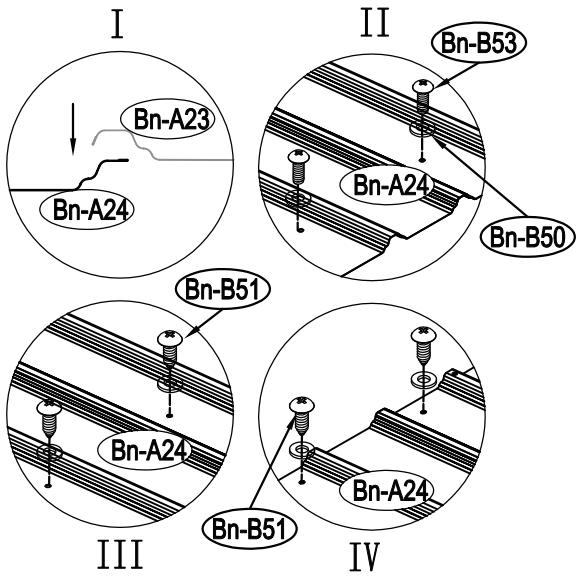
Bn-B53		x4
--------	---	----





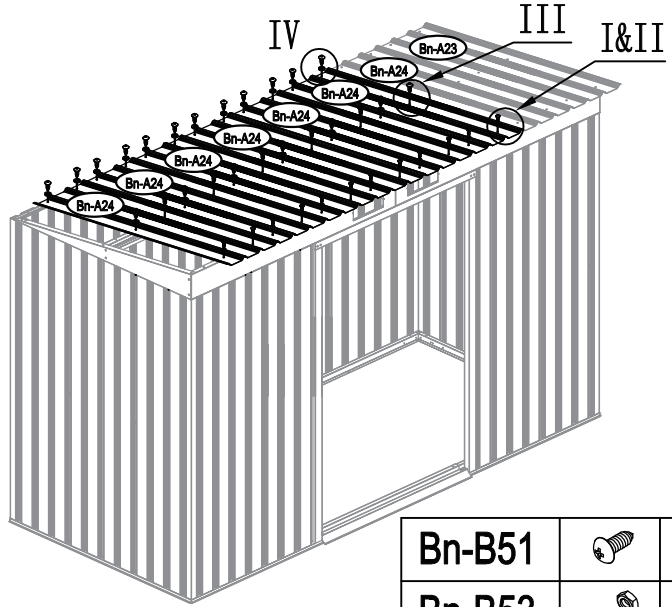
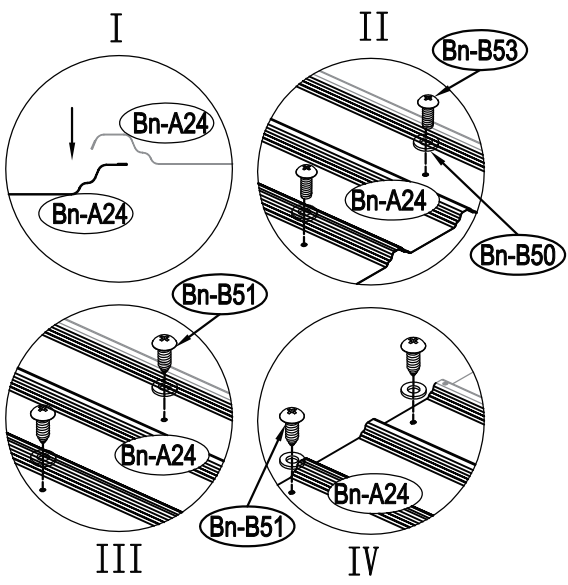
Bn-B53		x4
--------	---	----





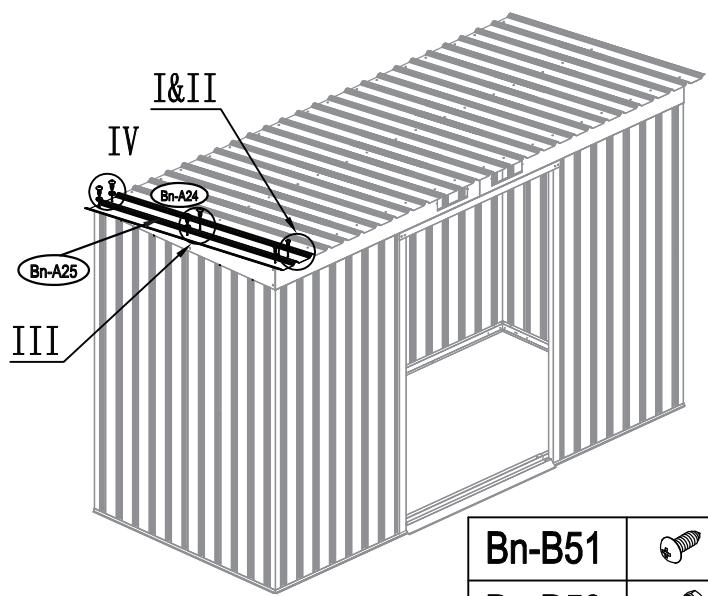
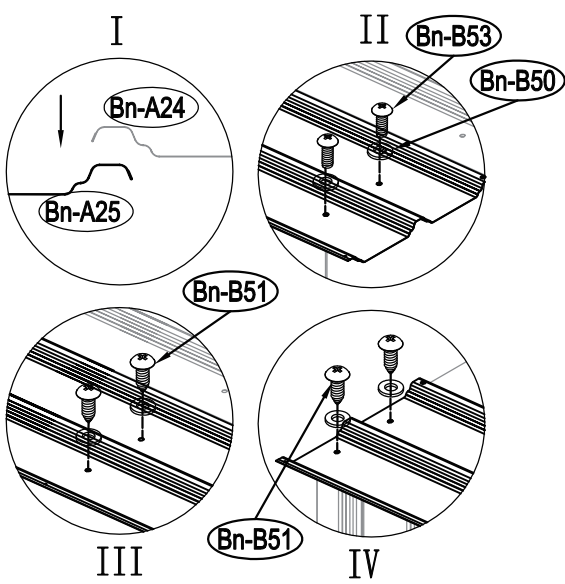
Bn-B51		x4
Bn-B53		x2





Bn-B51		x4
Bn-B53		x2

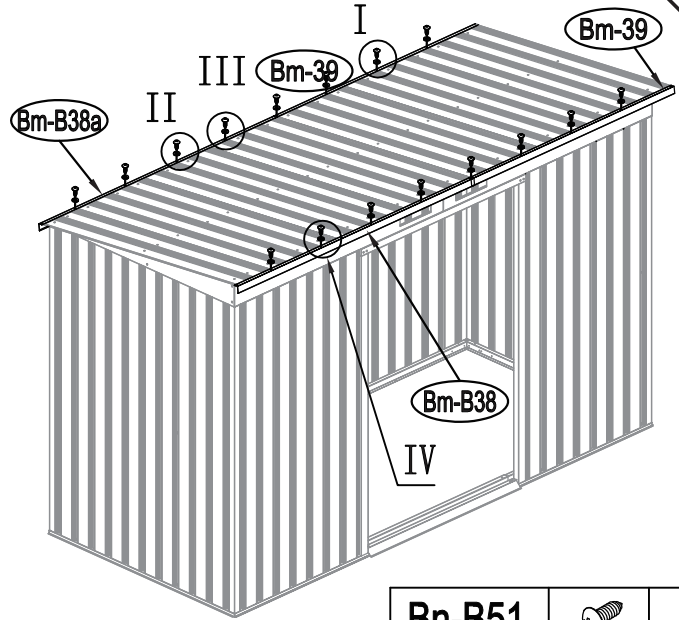
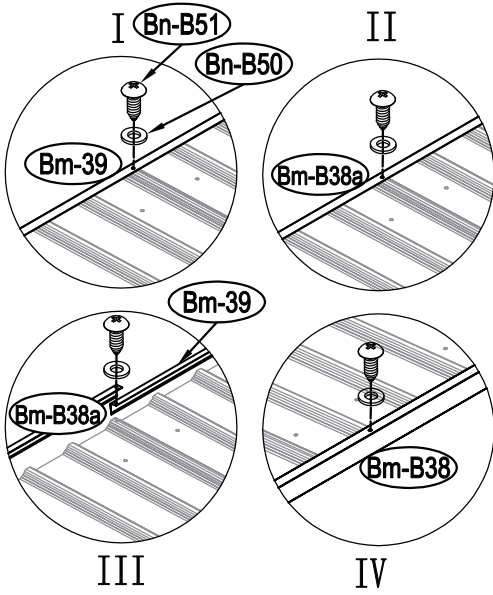


Bn-B51		x24
Bn-B53		x12



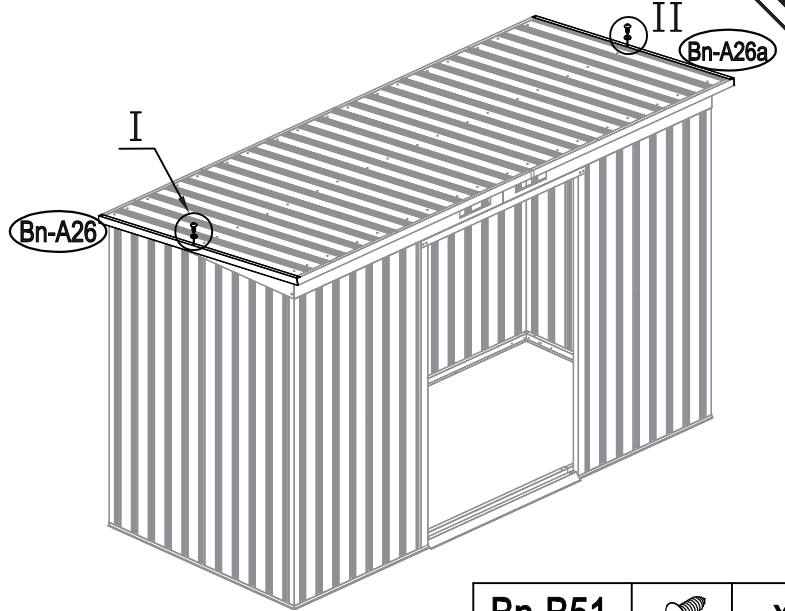
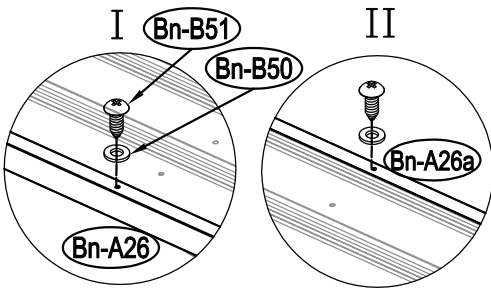
Bn-B51		x4
Bn-B53		x2

31



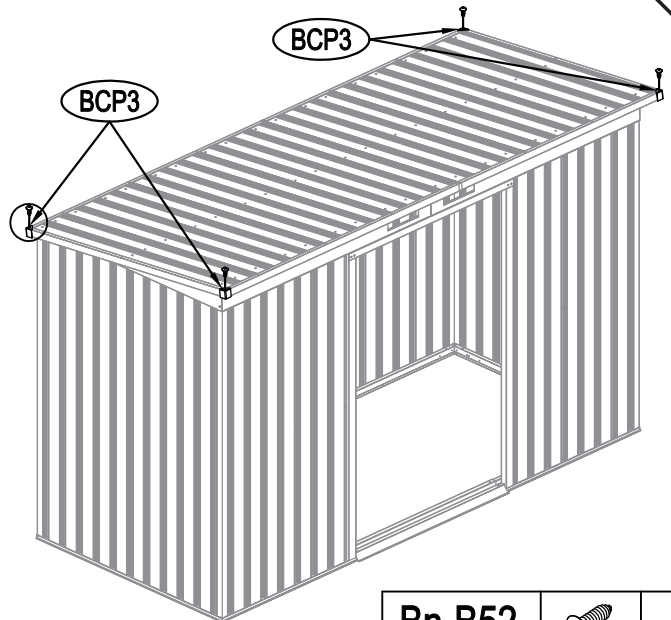
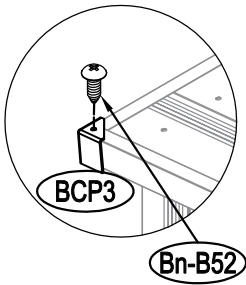
Bn-B51		x16
--------	---	-----


32

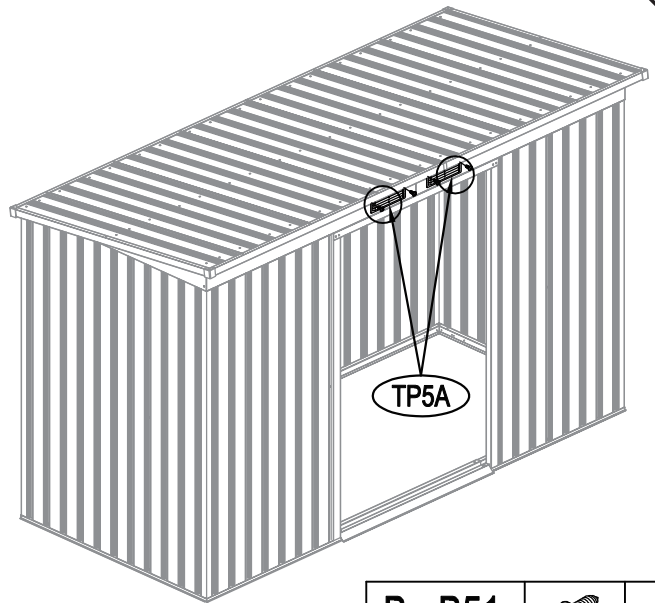
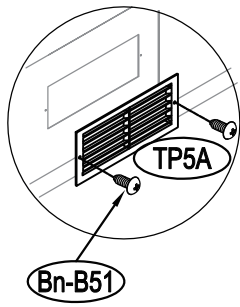


Bn-B51		x2
--------	---	----

33



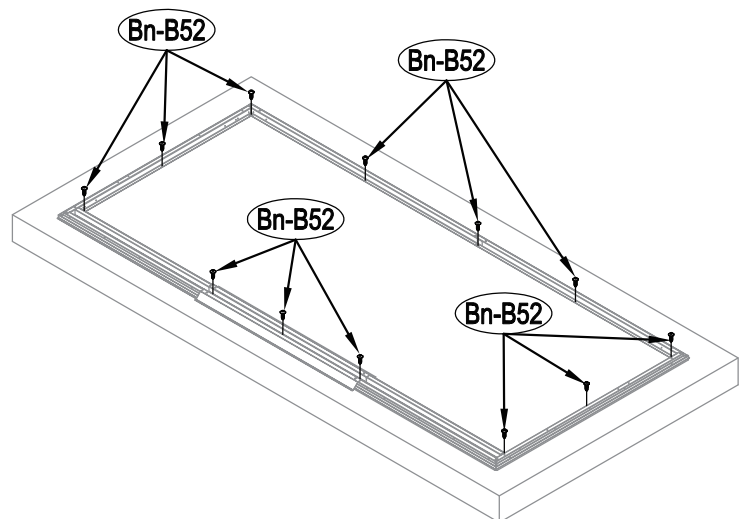
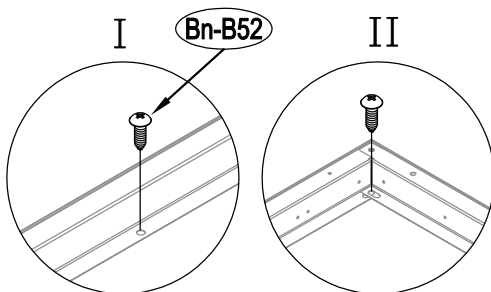
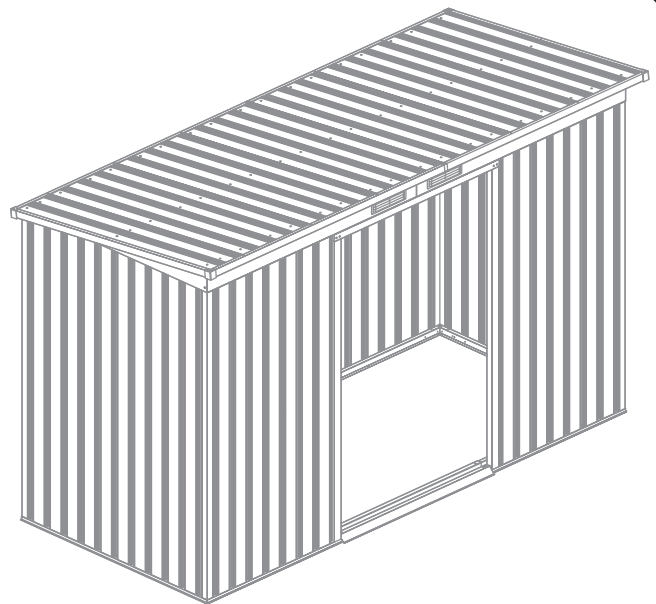
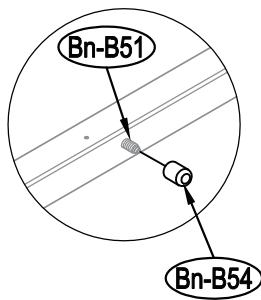
Bn-B52		x4
--------	---	----



Bn-B51



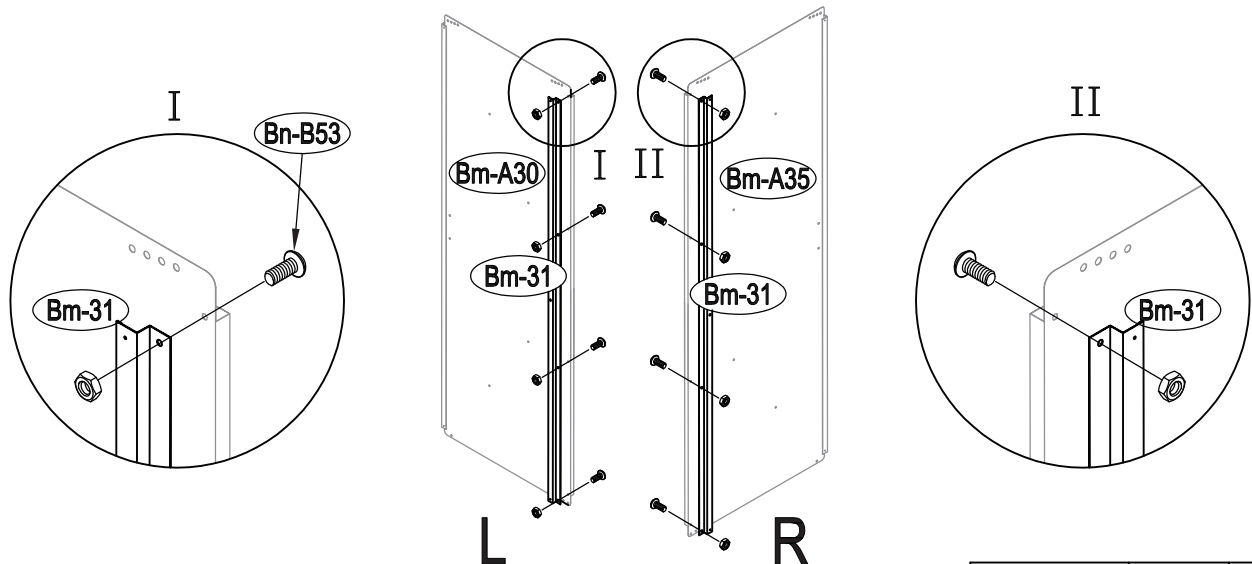
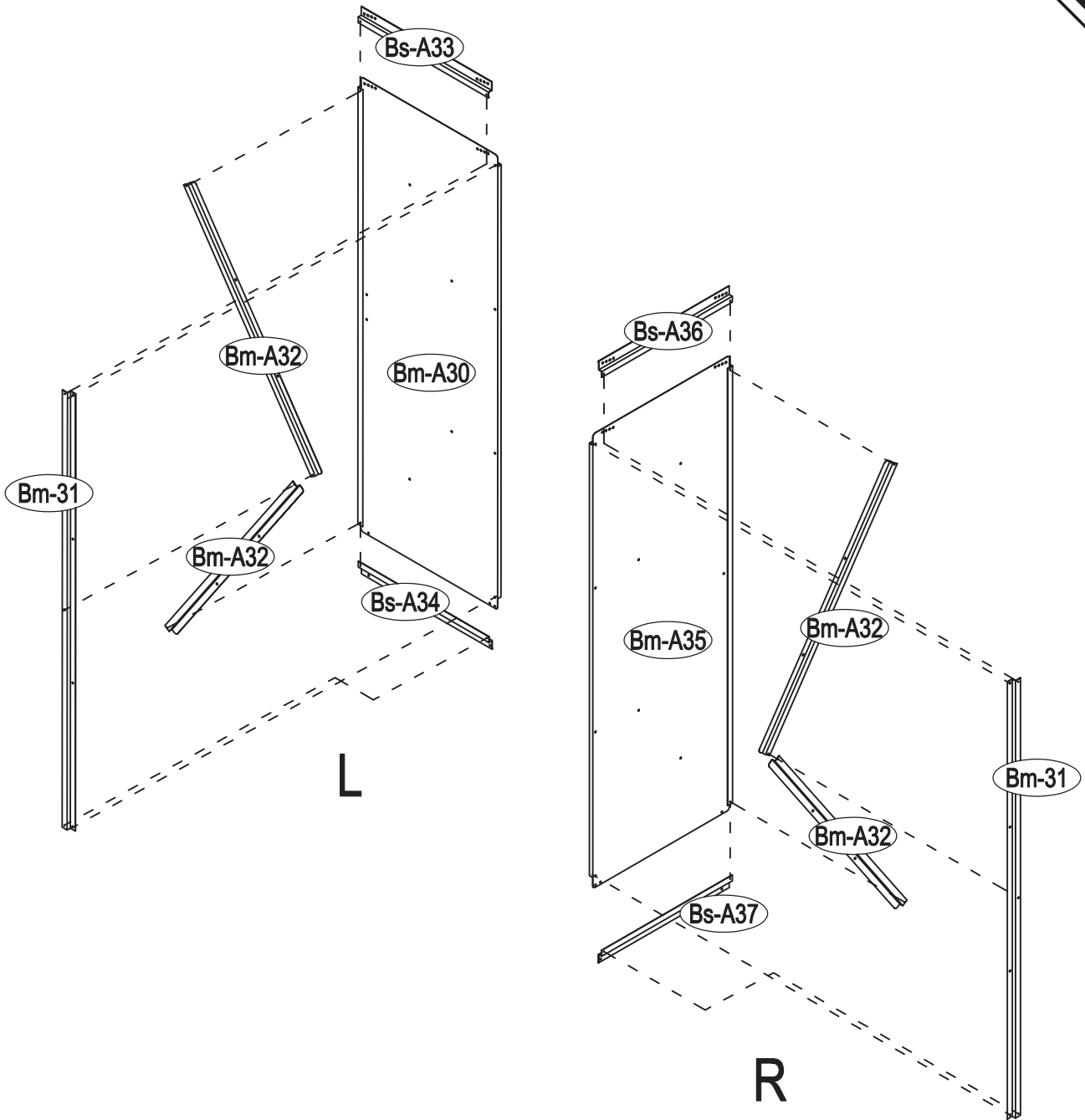
x4




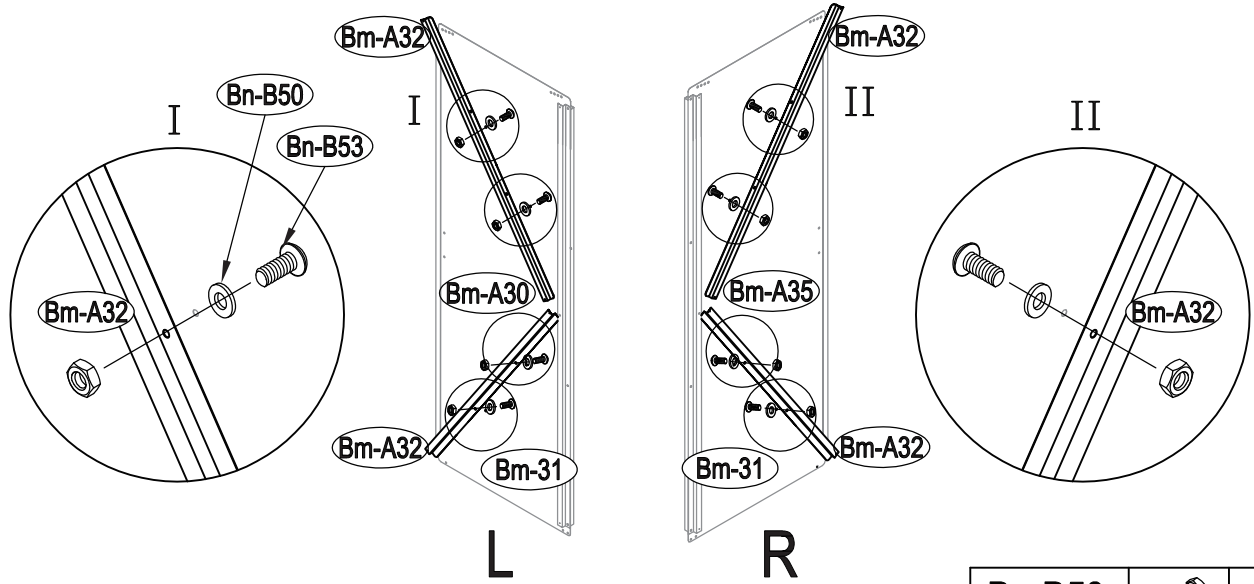
Bn-B52



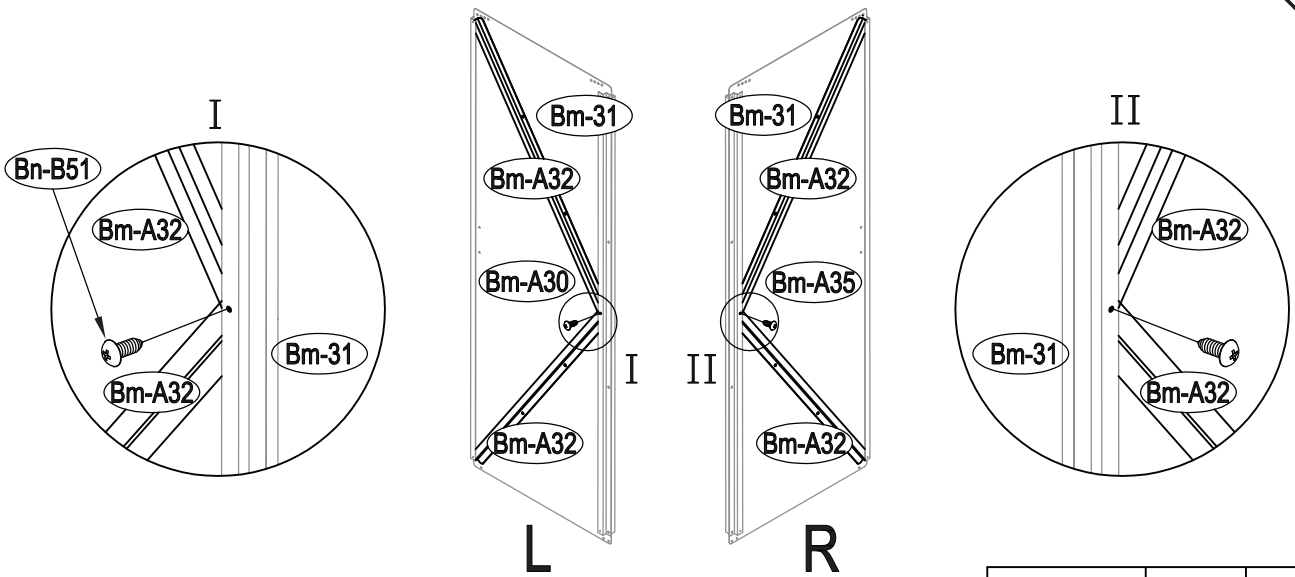
x12



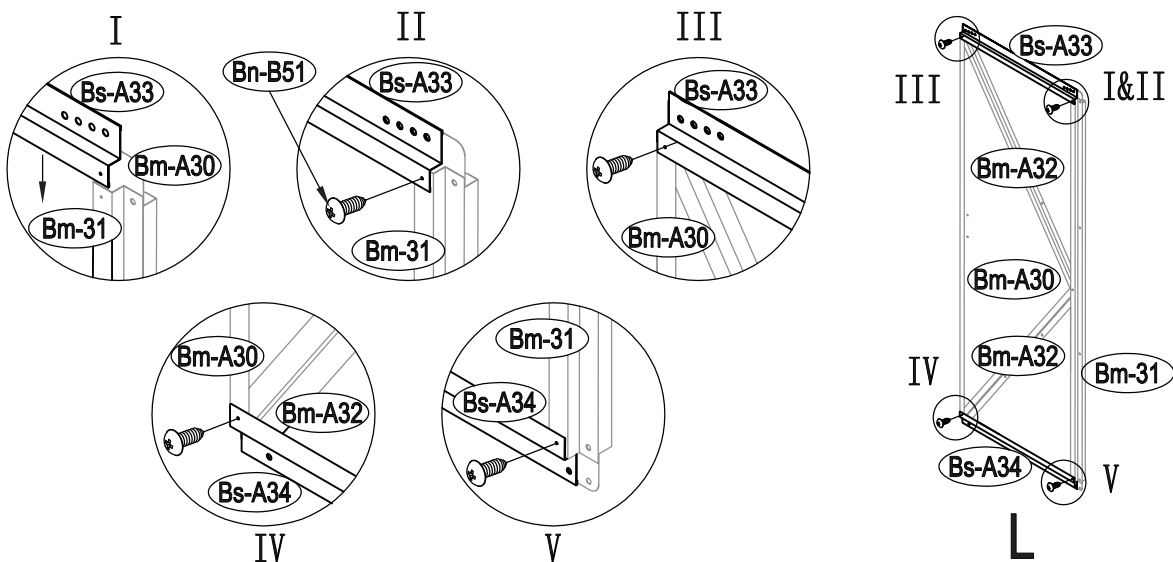
Bn-B53		x8
--------	---	----



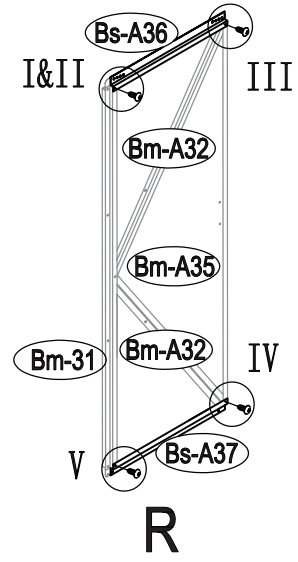
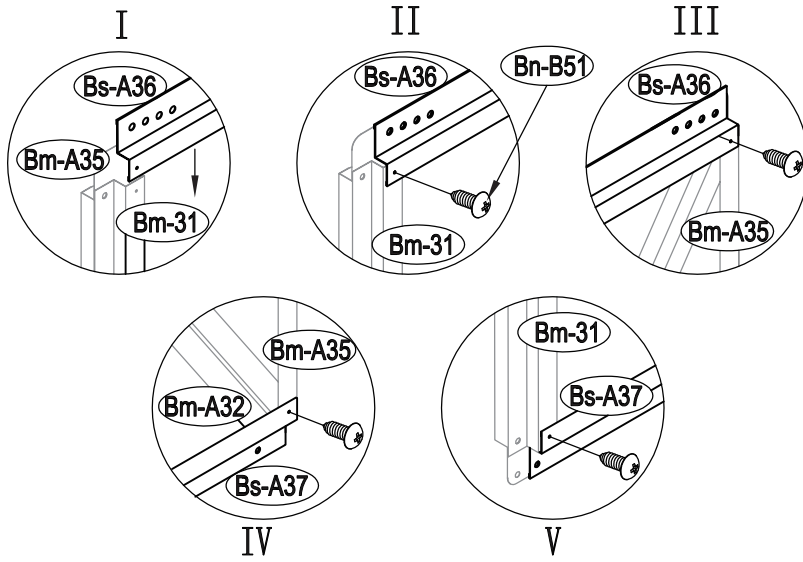
Bn-B53		x8
--------	--	----




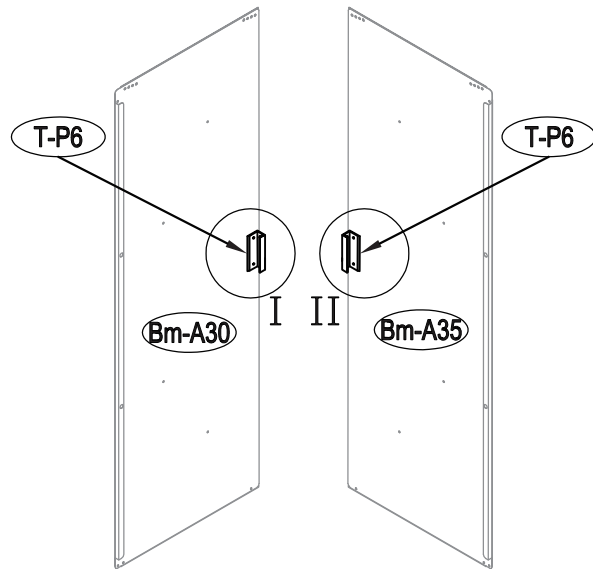
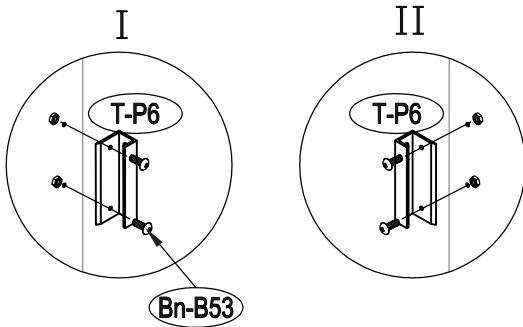
Bn-B51		x2
--------	--	----




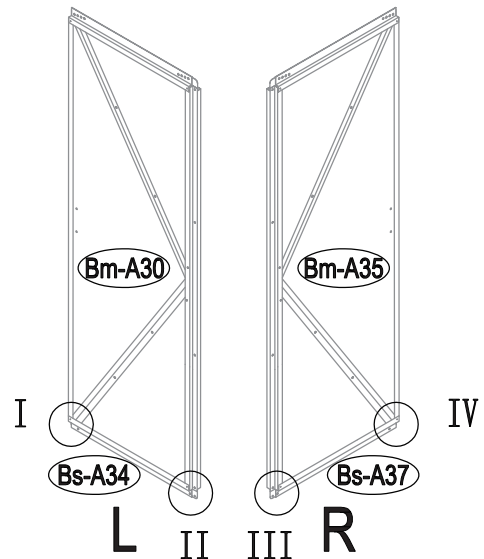
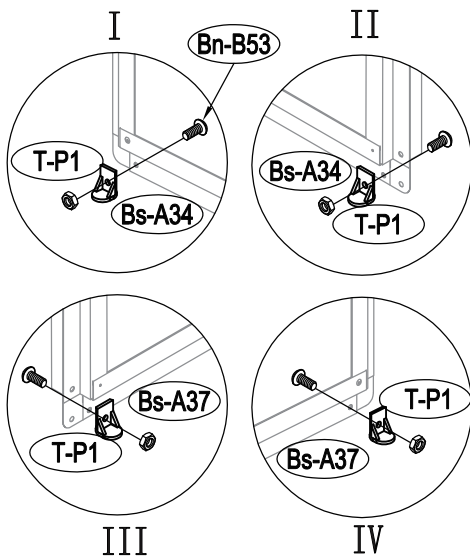
Bn-B51		x4
--------	--	----



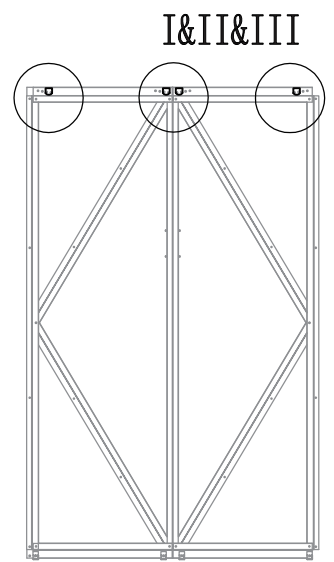
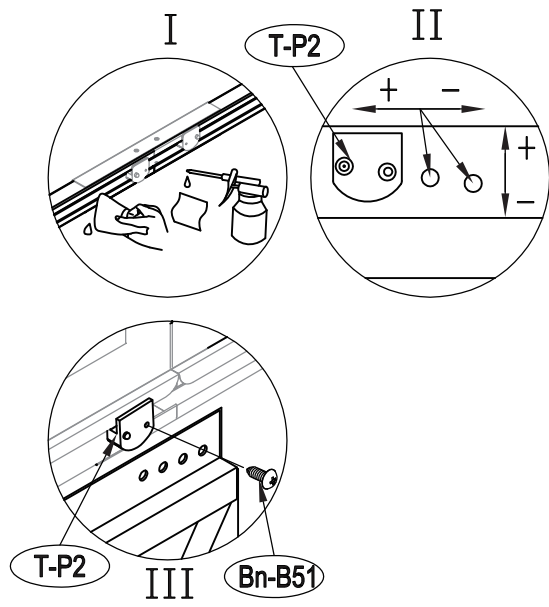
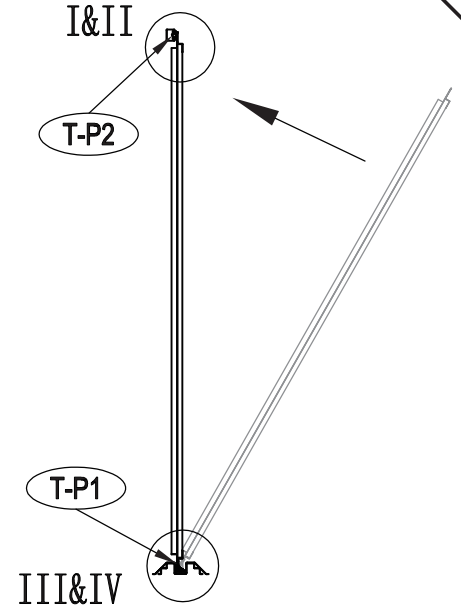
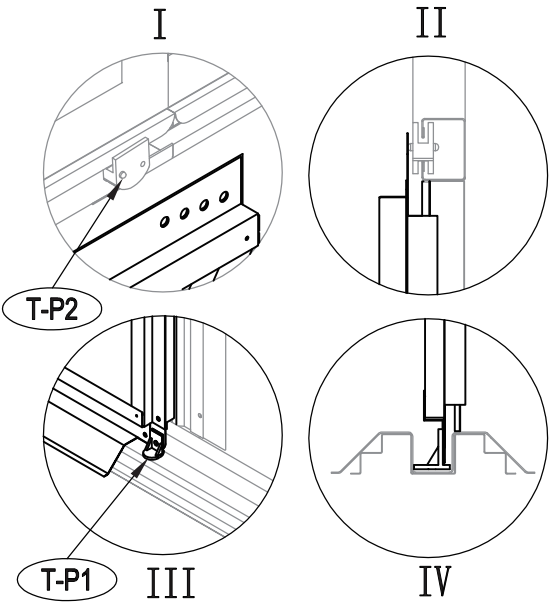
Bn-B51		x4
--------	---	----




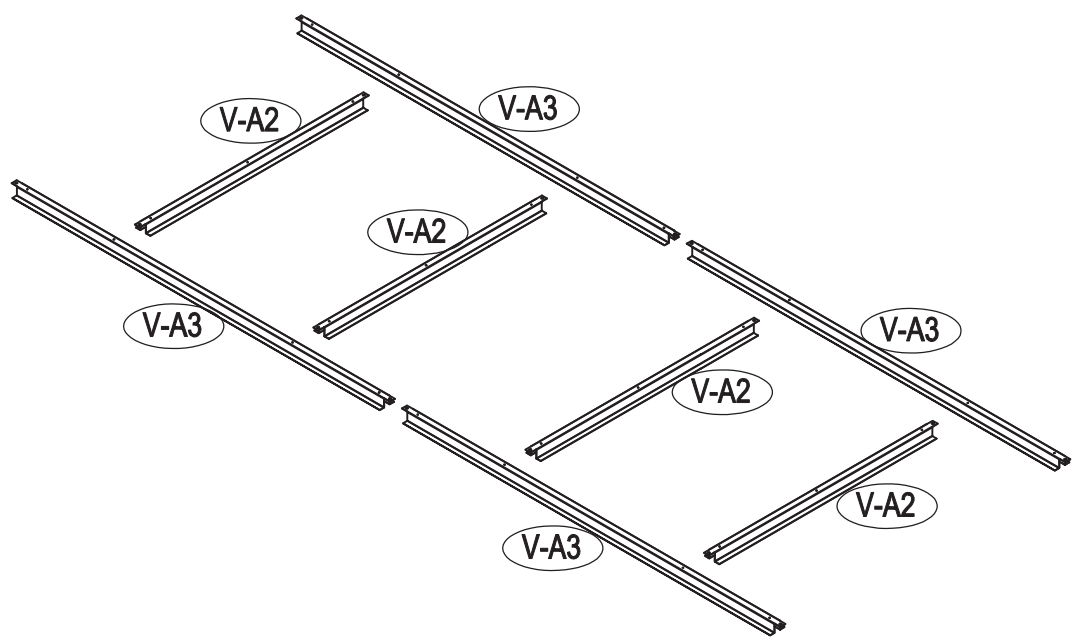
Bn-B53		x4
--------	---	----

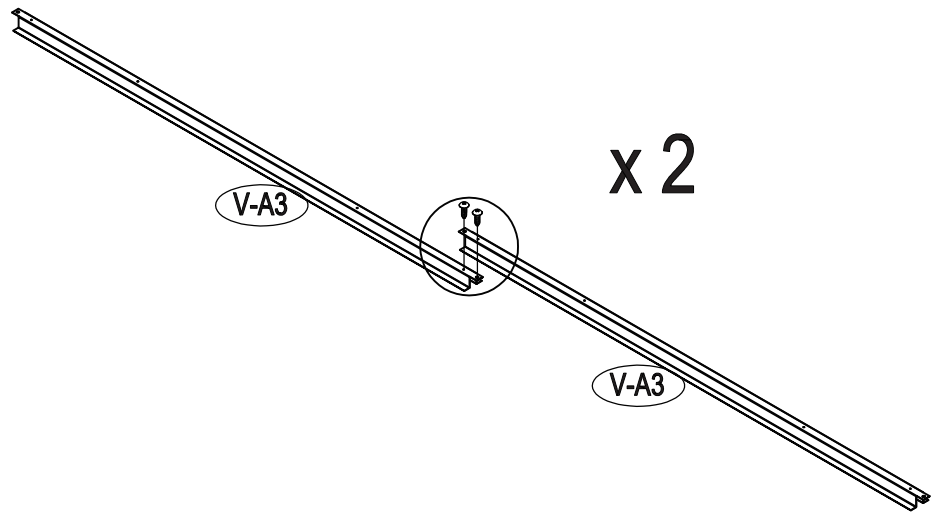
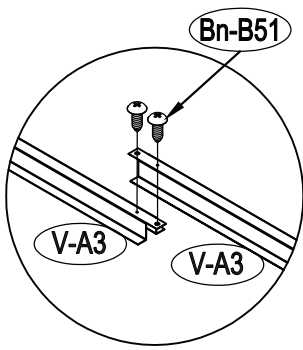


Bn-B53		x4
--------	---	----

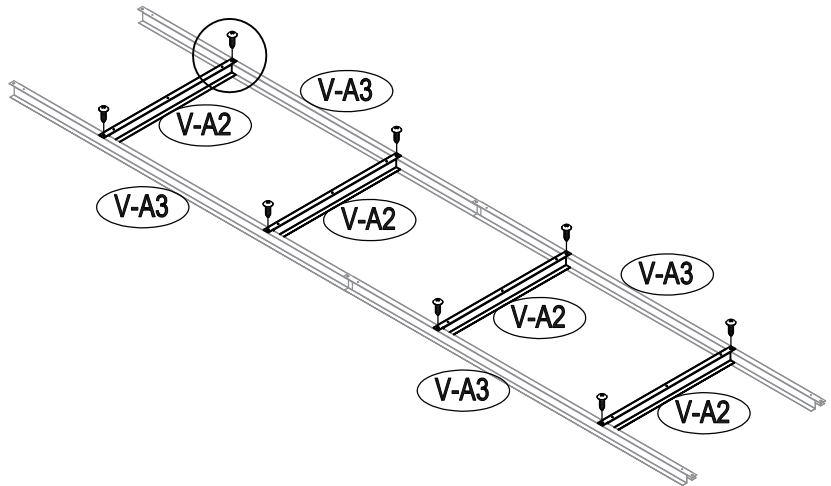
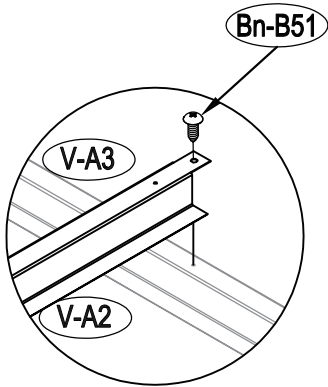


Bn-B51		x4
--------	---	----

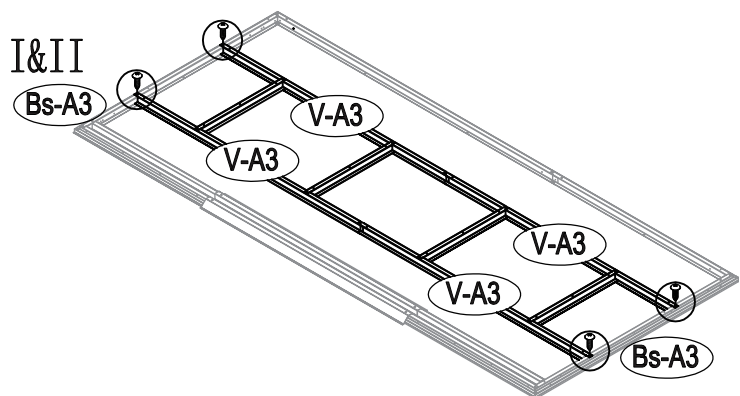
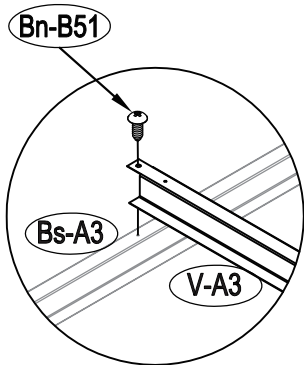




Bn-B51		x4
--------	---	----



Bn-B51		x8
--------	---	----



Bn-B51		x4
--------	---	----