



20 : 00

---

estimated  
assembly time



2 or more

---

people required

Ok, let's  
get started!



- Put on mood music!
- To prevent damage to product, use the clean side of package carton or rug as working surface.
- In the event of missing or damaged parts, delivery problems etc., please reach out to our team. We will be happy to fix the problem!

# care guide

- Clean regularly with a soft and dry cloth.
- To protect finish, avoid use of abrasive cleaners.
- Wipe up spills immediately. Please!



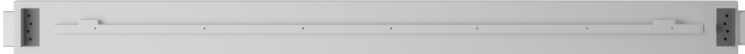
# product parts



(A)  
Headboard  
x1



(B)  
Footboard  
x1



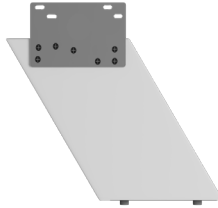
(C)  
Side Rails  
x2



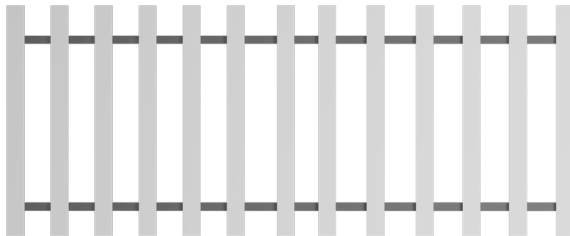
(D)  
Mid Rail  
x1



(E)  
Mid Legs  
x3

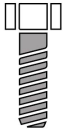


(F)  
Legs  
x4



(G)  
Slats  
x2

# what's included



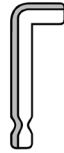
(H)-Bolt (8 x 50mm)  
x5



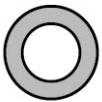
(K)-Lock Washer (Ø8.5mm)  
x24



(I)- Bolt (8 x 25mm)  
x24



(L)- Allen Key  
x1



(J)- Washer (Ø8.5mm)  
x24

**BK** Black Sticker

**BL** Blue Sticker

## assembly instructions

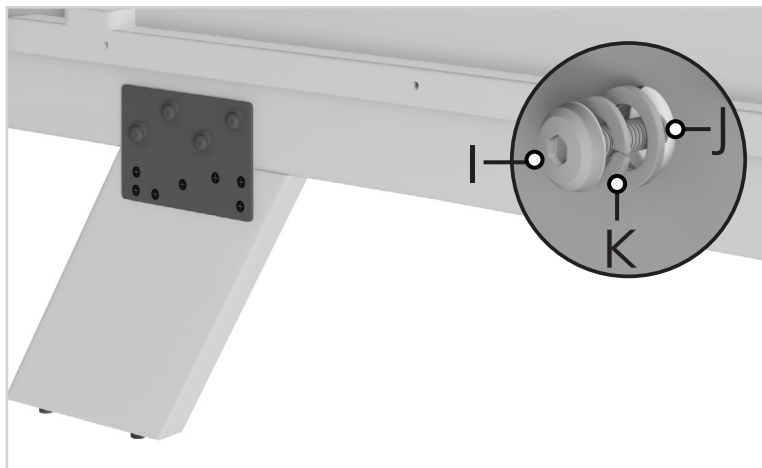
Friendly Tip: Take a deep breath going in. This may be a tricky part, but nothing too overwhelming. Just follow these steps to the T and the outcome will be worth it!



- ⚠ While assembling the product, tighten the bolts up to 50%. Once all parts are in place, only then fully tighten the bolts.

## step 1:

Start by attaching the legs (F) to the headboard (A) and footboard (B). To attach (F) to (A) and (B), insert washer (J), lock washer (K), and bolt (I) into the pre-drilled holes as shown in this image. Tighten all points using al-len-key (L).



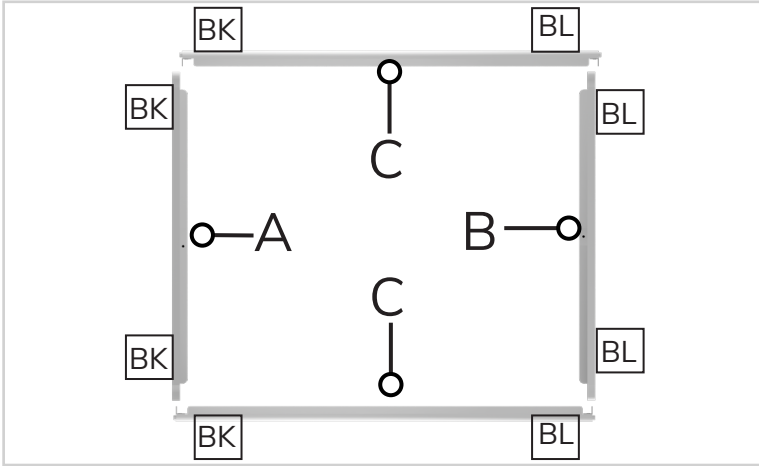
## step 2:

Repeat step 1 till all four legs are fixed.



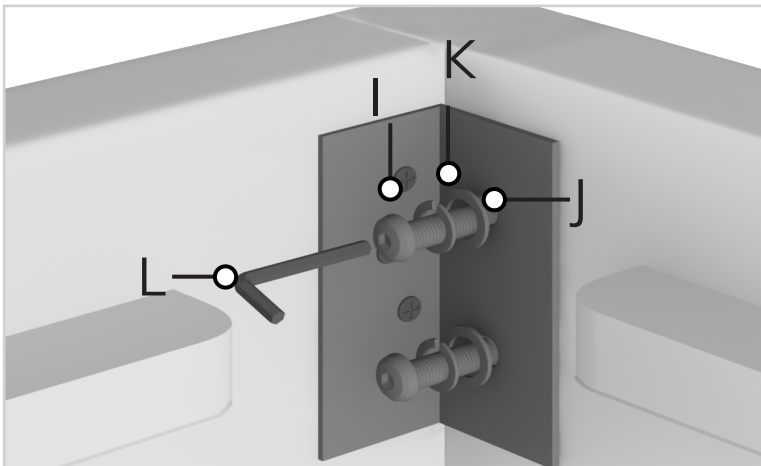
### step 3:

Next, attach the headboard (A) and footboard (B) to the side-rails (C). Make sure the stickers on (A) and (B) match with the stickers on (C). Use the image as reference.



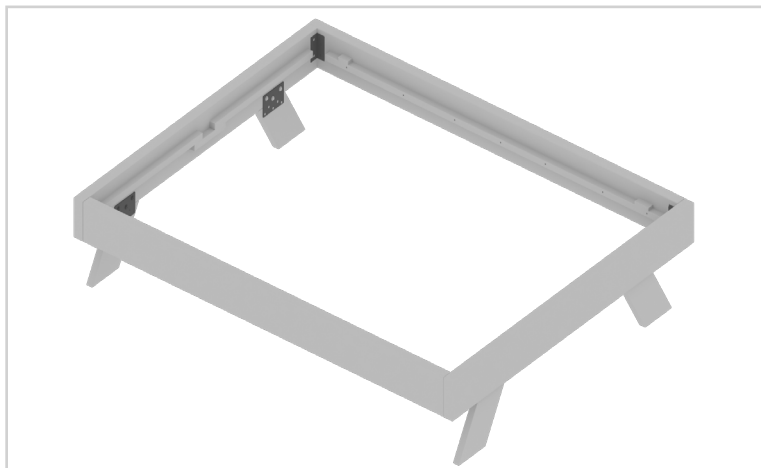
### step 4:

To attach headboard (A) and footboard (B) to side-rails (C), insert the washer (J), lock washer (K) and bolt (I) into the pre-drilled holes. Before tightening the bolts fully, make sure (A) and (B) are aligned with each other; adjust using your hands if needed. Now, tighten all points using the allen-key (L).



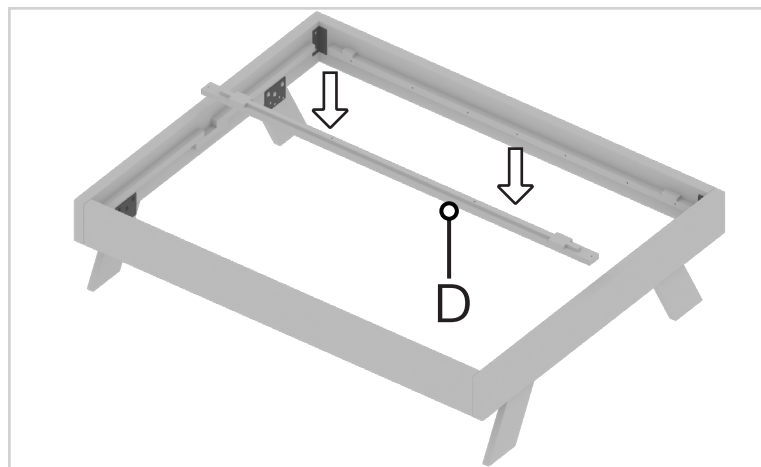
step 5:

After attaching all four corners, the product should look like this.



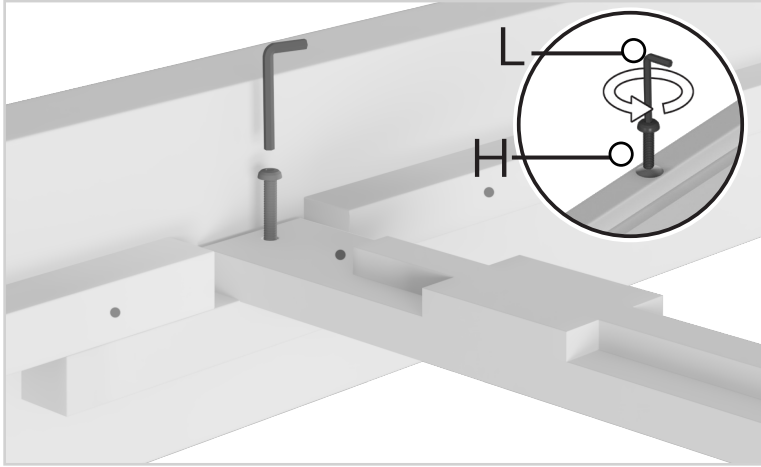
step 6:

Now, place the mid-rail (D) in the centre (parallel to the side-rails) as shown in this image.



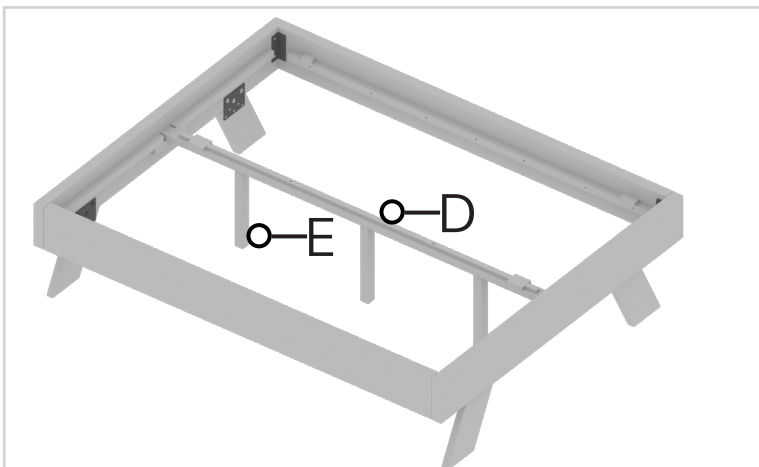
## step 7:

Using the image as reference, insert the bolt (H) into the pre-drilled holes and fix the mid-rail in place with the help of allen key (L).



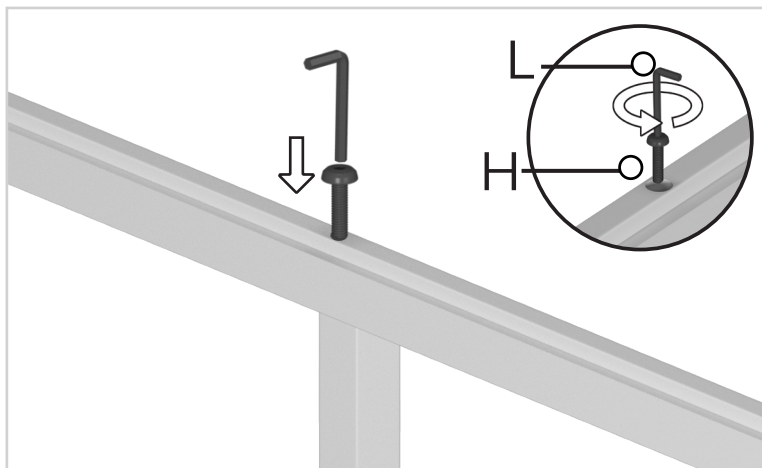
## step 8:

Then align the mid-legs (E) with the pre-drilled slots on mid-rail (D) taking this image as reference.



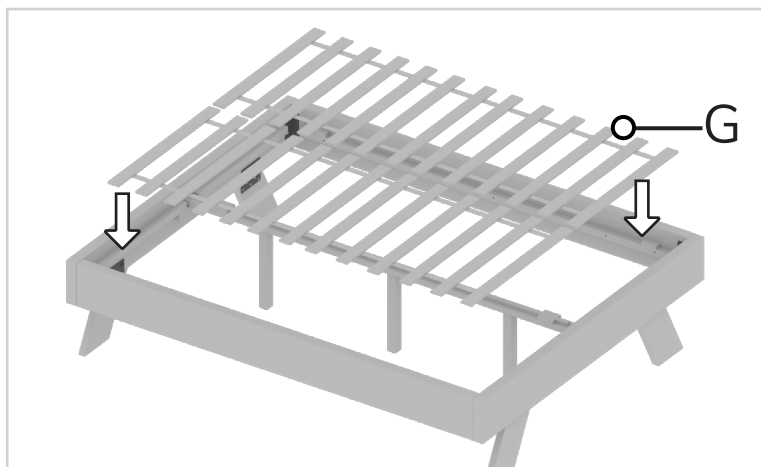
### step 9:

To attach the mid-legs to the mid-rail, place the bolt (H) into the pre-drilled slots and fix the mid-legs in place with the help of allen key (L).



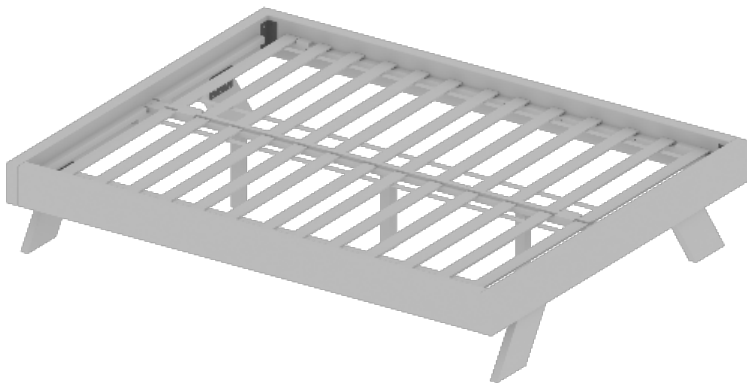
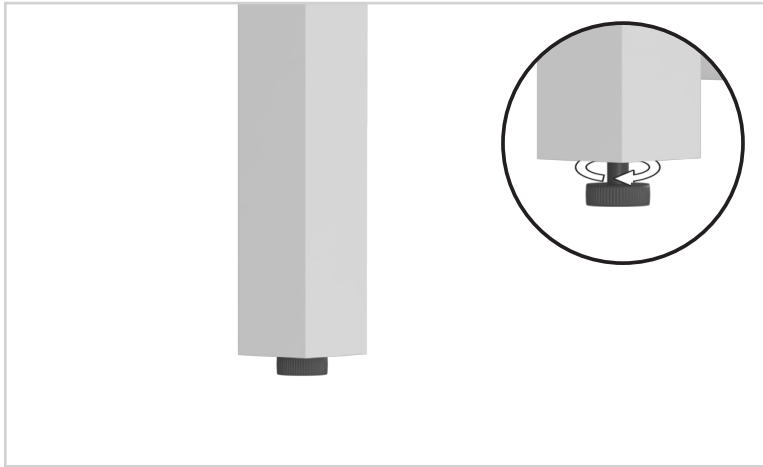
### step 10:

Simple enough? Next, place all the slates (G) parallel to each other as shown in this image. Make sure the slates are well fixed in place.



## step 11:

If required, adjust the levellers according to the floor as shown in the image.



---

**Voila! Your bed is now assembled and secure!**